

US00D951578S

(12) **United States Design Patent** (10) **Patent No.:** **US D951,578 S**
Lu (45) **Date of Patent:** **** May 10, 2022**

(54) **TRASH RECEPTACLE**
(71) Applicant: **Swanlord International Ltd**, Shanghai (CN)
(72) Inventor: **Huanbang Lu**, Shanghai (CN)
(73) Assignee: **SWANLORD INTERNATIONAL LTD**, Shanghai (CN)

5,022,132 A * 6/1991 Valster B65G 39/09
198/842
D404,865 S * 1/1999 Zackson D34/1
D420,479 S * 2/2000 Delmerico D34/1
D442,753 S * 5/2001 Weiss D34/1
6,808,063 B2 * 10/2004 Itoh B65G 13/06
198/788
7,285,928 B1 * 10/2007 Jolly B65F 1/06
318/281
D593,271 S * 5/2009 Yang D34/9
D684,332 S * 6/2013 Gollob D34/1

(**) Term: **15 Years**

(21) Appl. No.: **29/758,430**

(22) Filed: **Nov. 16, 2020**

(30) **Foreign Application Priority Data**
Sep. 28, 2020 (CN) 202030584540.5

(51) **LOC (13) Cl.** **09-09**

(52) **U.S. Cl.**
USPC **D34/9**

(58) **Field of Classification Search**
USPC D34/1, 5, 6, 7, 8, 9, 10, 11
CPC B65F 1/06; B65F 1/006; B65F 1/10; B65F 1/16; B65F 1/1607; B65F 1/67; B65F 1/02; B65F 1/14; B65F 1/062; B65F 1/014; B65F 1/163; B65F 1/1438; B65F 1/162; B65F 1/1623; B65F 1/004; B65F 1/1473; B65F 1/002; B65F 1/04; B65F 2240/138
See application file for complete search history.

(56) **References Cited**

U.S. PATENT DOCUMENTS

1,809,252 A * 6/1931 Pflimlin D01H 5/80
492/57
D109,474 S * 5/1938 Connor D34/1
2,844,370 A * 7/1958 Thomas B65H 3/0638
271/42
D309,116 S * 7/1990 Marshall D10/62

Primary Examiner — Cynthia Ramirez
(74) *Attorney, Agent, or Firm* — Tucker Ellis LLP; Heather M. Barnes

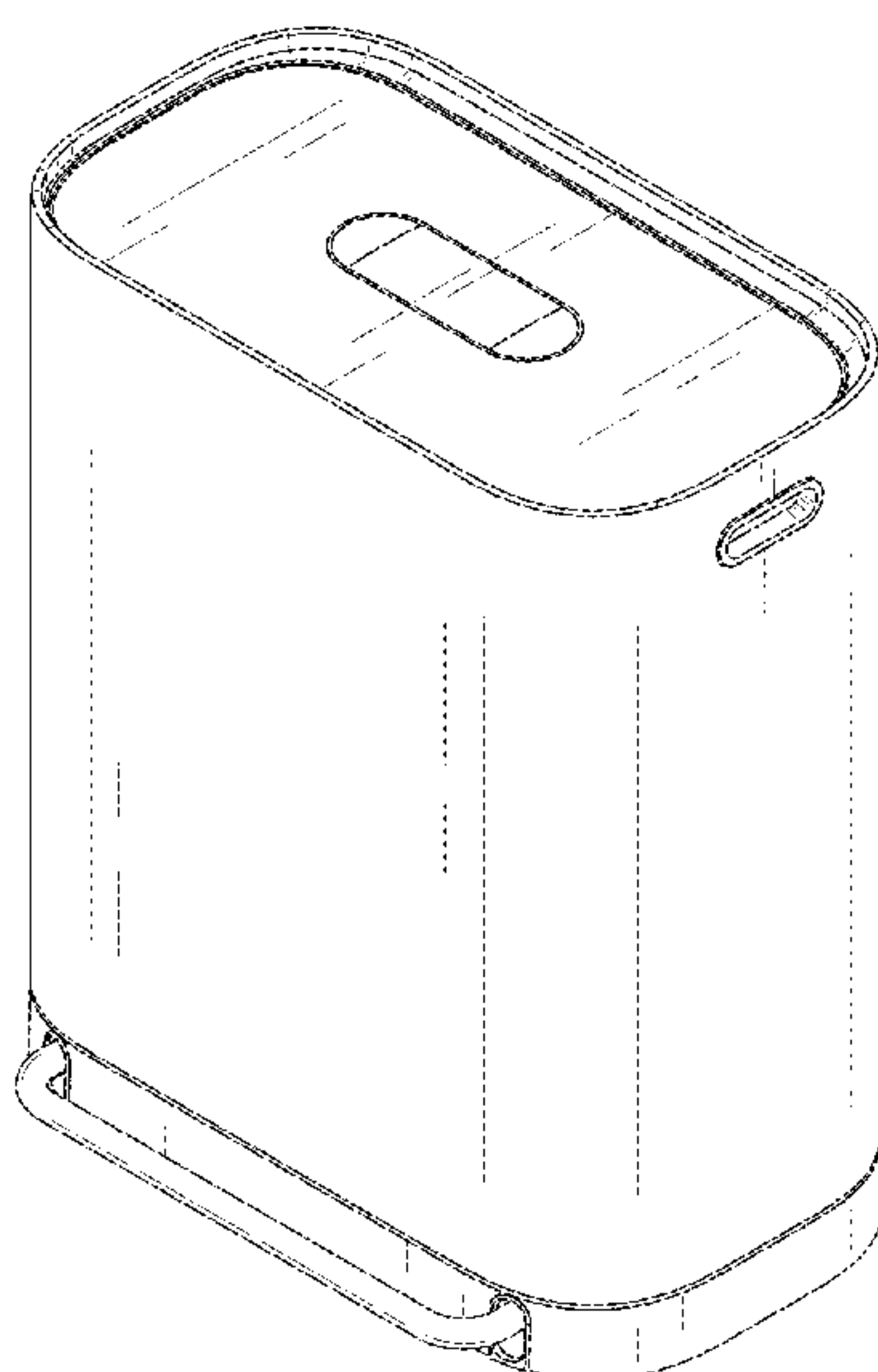
(57) **CLAIM**

The ornamental design for a trash receptacle, as shown and described.

DESCRIPTION

FIG. 1 is a top-front perspective view of an trash receptacle of the present disclosure;
FIG. 2 is a rear-bottom perspective view of the trash receptacle shown in FIG. 1;
FIG. 3 is a front elevational view of the trash receptacle shown in FIG. 1;
FIG. 4 is a rear elevational view of the trash receptacle shown in FIG. 1;
FIG. 5 is a left-side elevational view of the trash receptacle shown in FIG. 1;
FIG. 6 is a right-side elevational view of the trash receptacle shown in FIG. 1;
FIG. 7 is a top plan view of the trash receptacle shown in FIG. 1; and,
FIG. 8 is a bottom plan view of the trash receptacle shown in FIG. 1.
The shade lines shown in the drawings indicate the character and contour of surfaces represented and should not be confused with surface ornamentation.

1 Claim, 8 Drawing Sheets



(56)

References Cited

U.S. PATENT DOCUMENTS

8,556,099	B2 *	10/2013	Perlman	B65D 11/1873 206/217
D714,009	S *	9/2014	Phillips	D34/7
D727,584	S *	4/2015	Busch	D34/7
D762,936	S *	8/2016	Tuncel	D34/8
D763,531	S *	8/2016	Mattern	D34/7
D765,937	S *	9/2016	Chen	D34/7
D766,538	S *	9/2016	Thuma	D34/7
D835,373	S *	12/2018	Busch	D34/7
D872,960	S *	1/2020	Chen	D34/7
D876,040	S *	2/2020	Chen	D34/9
D877,441	S *	3/2020	Zhou	D34/9
D882,202	S *	4/2020	Lu	D34/9
D903,217	S *	11/2020	Smeets	D34/7
D909,002	S *	1/2021	Chang	D34/9
D911,650	S *	2/2021	Liao	D34/9
D915,713	S *	4/2021	Chen	D34/9
D925,857	S *	7/2021	Downing	D34/9
D930,933	S *	9/2021	Yang	B65F 1/1646 D34/9
D942,106	S *	1/2022	Liao	D34/9
2003/0219616	A1 *	11/2003	Cheng	A47G 19/2227 428/542.2
2013/0001289	A1 *	1/2013	Tedford	B65D 81/3874 229/403

* cited by examiner

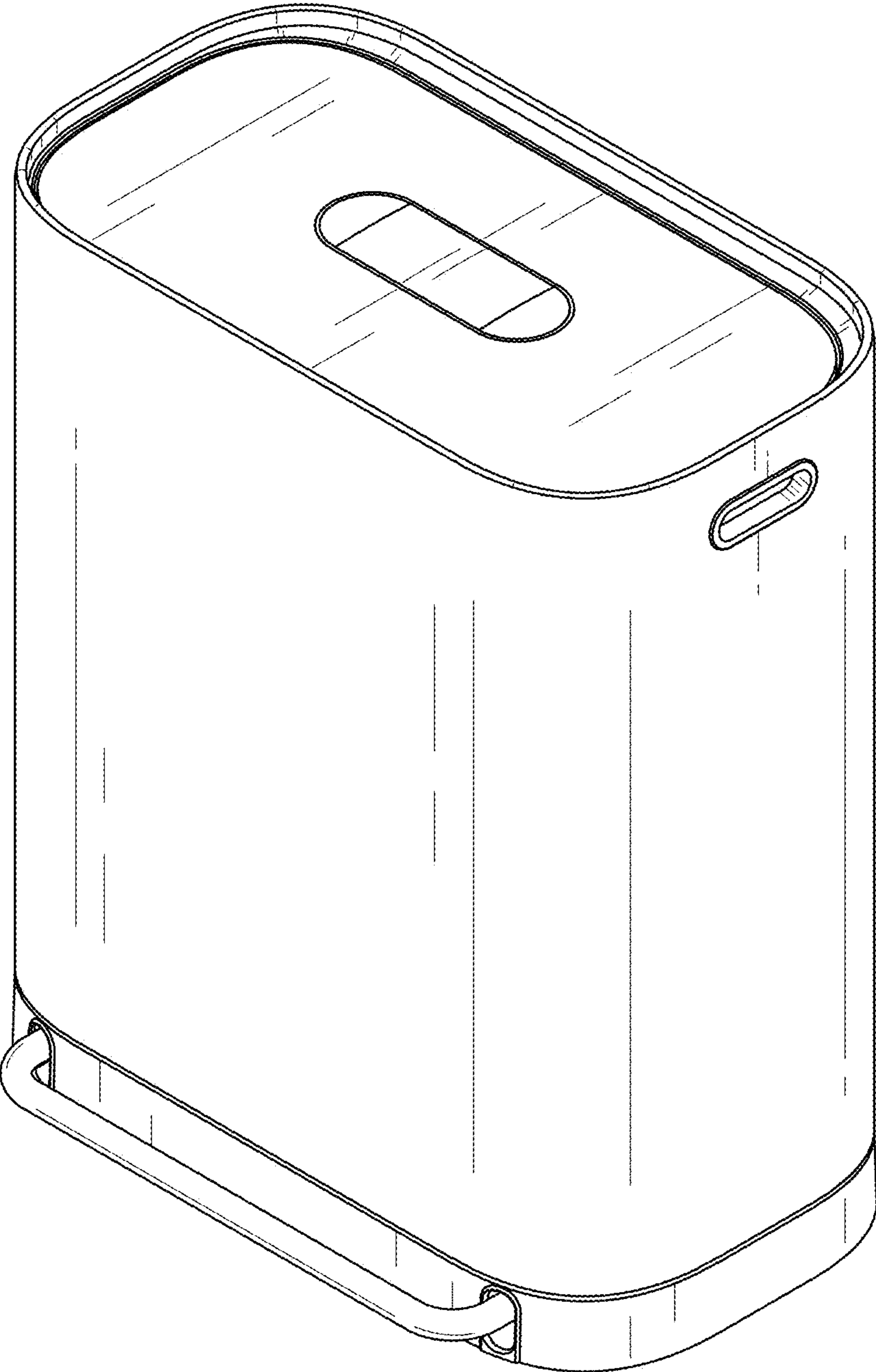


FIG. 1

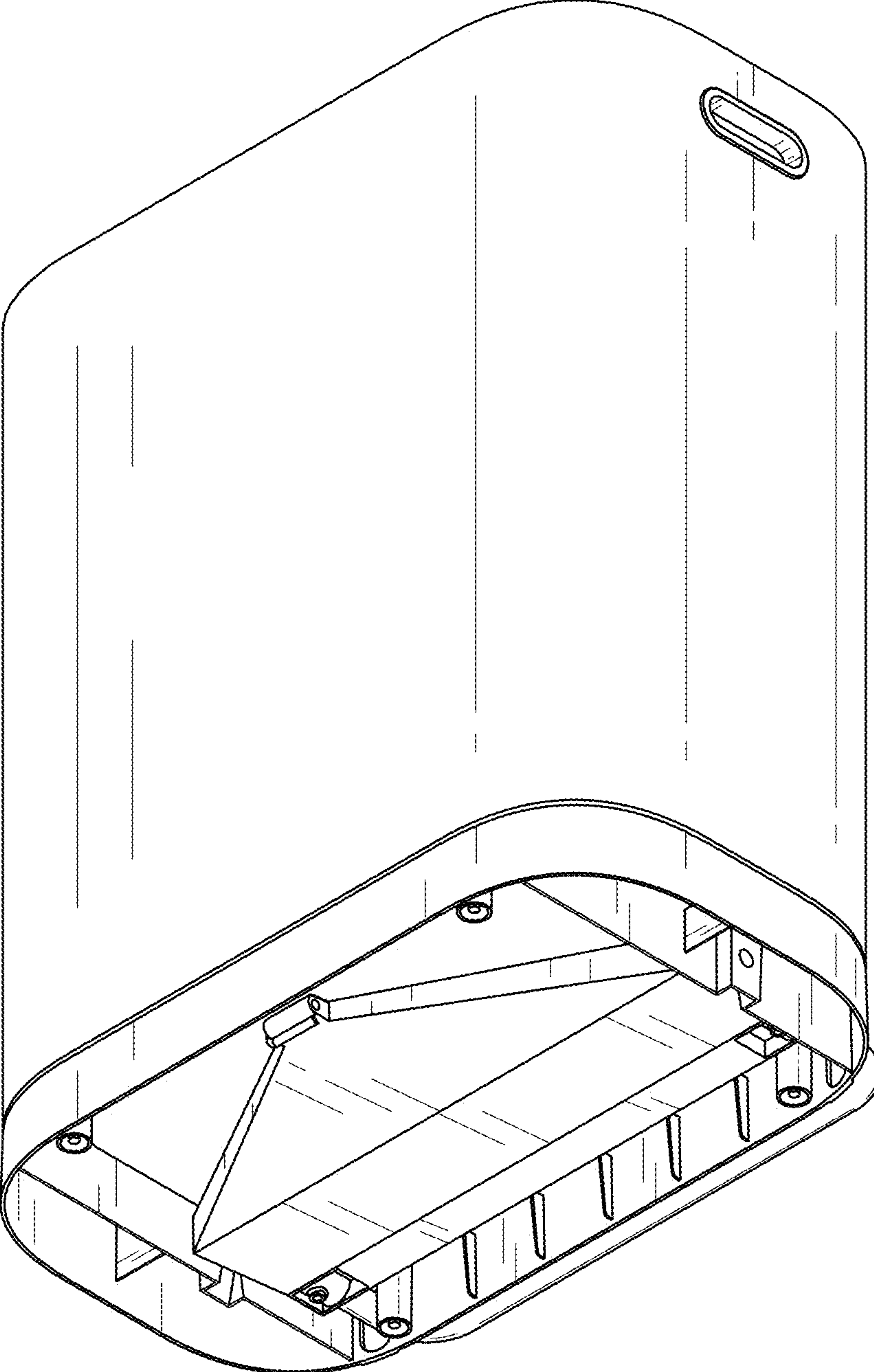


FIG. 2

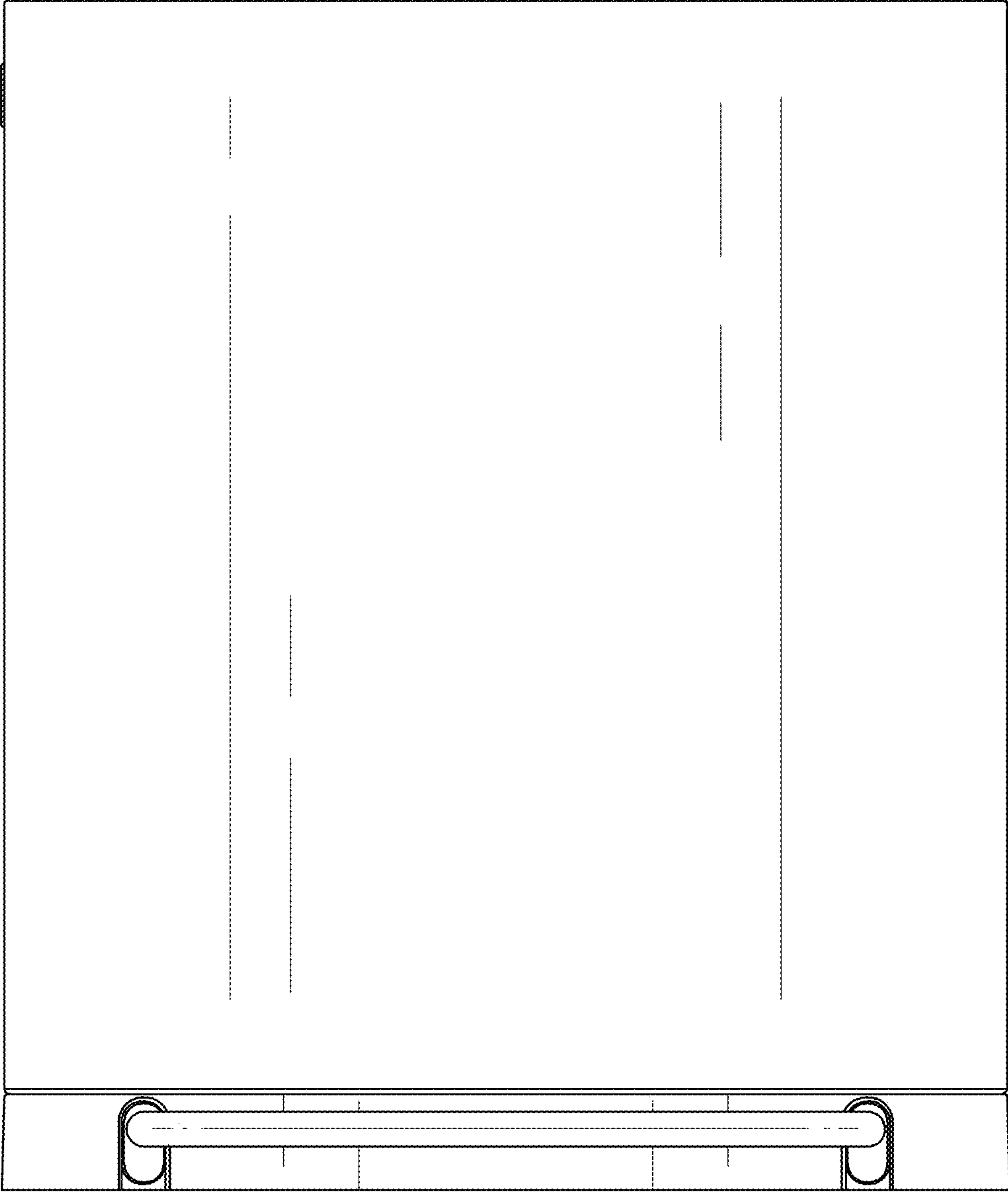


FIG. 3

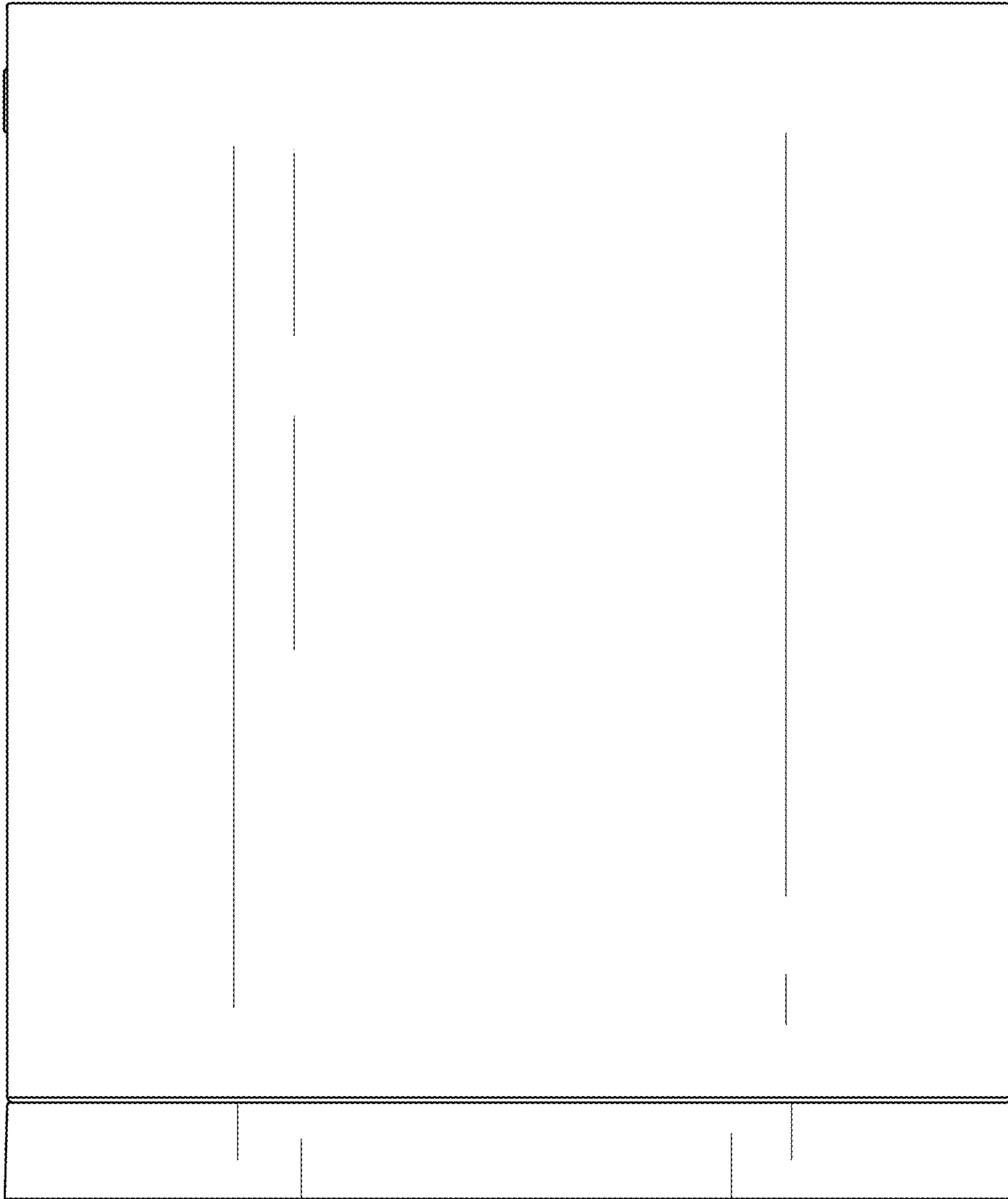


FIG. 4

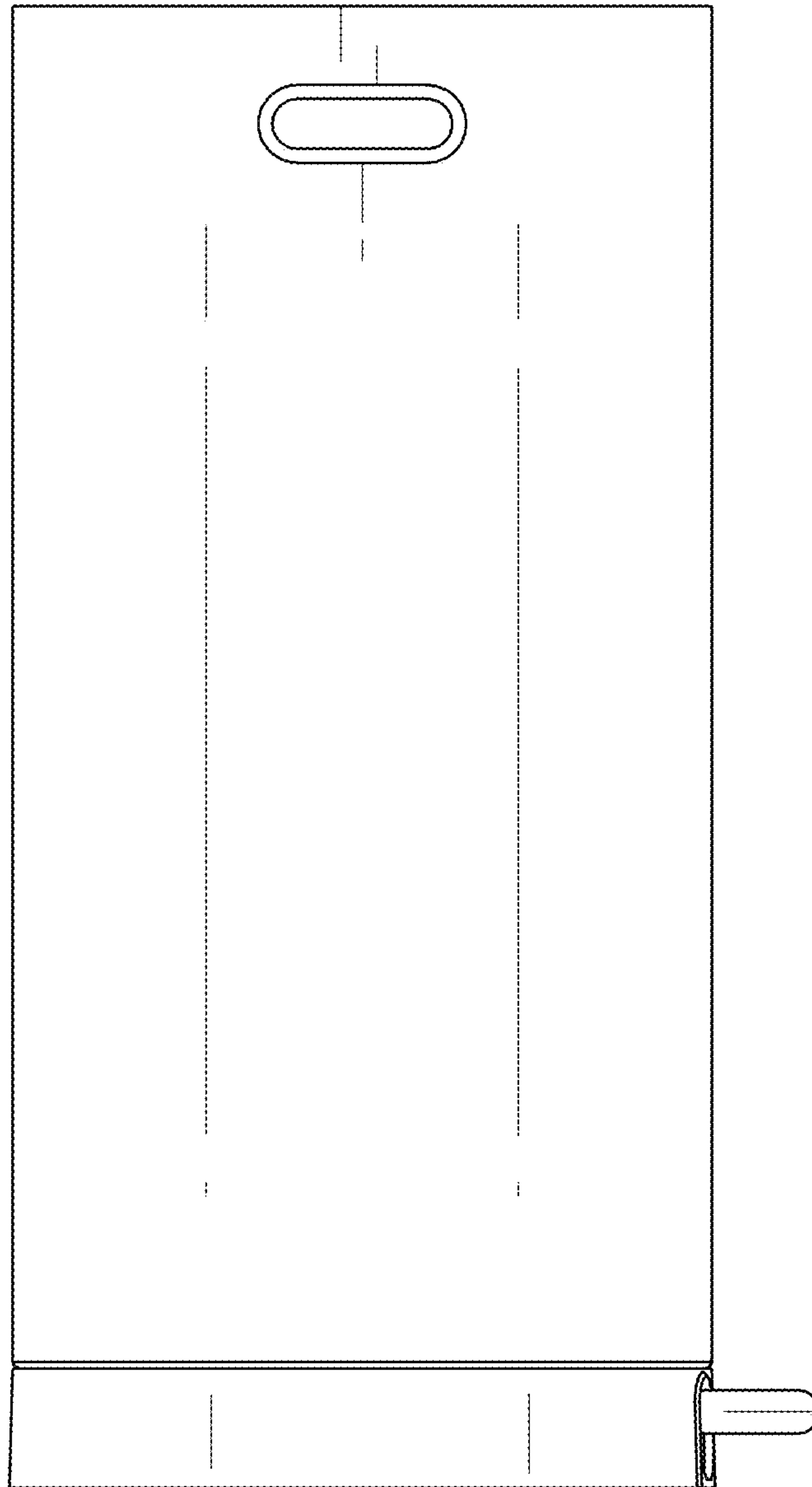


FIG. 5

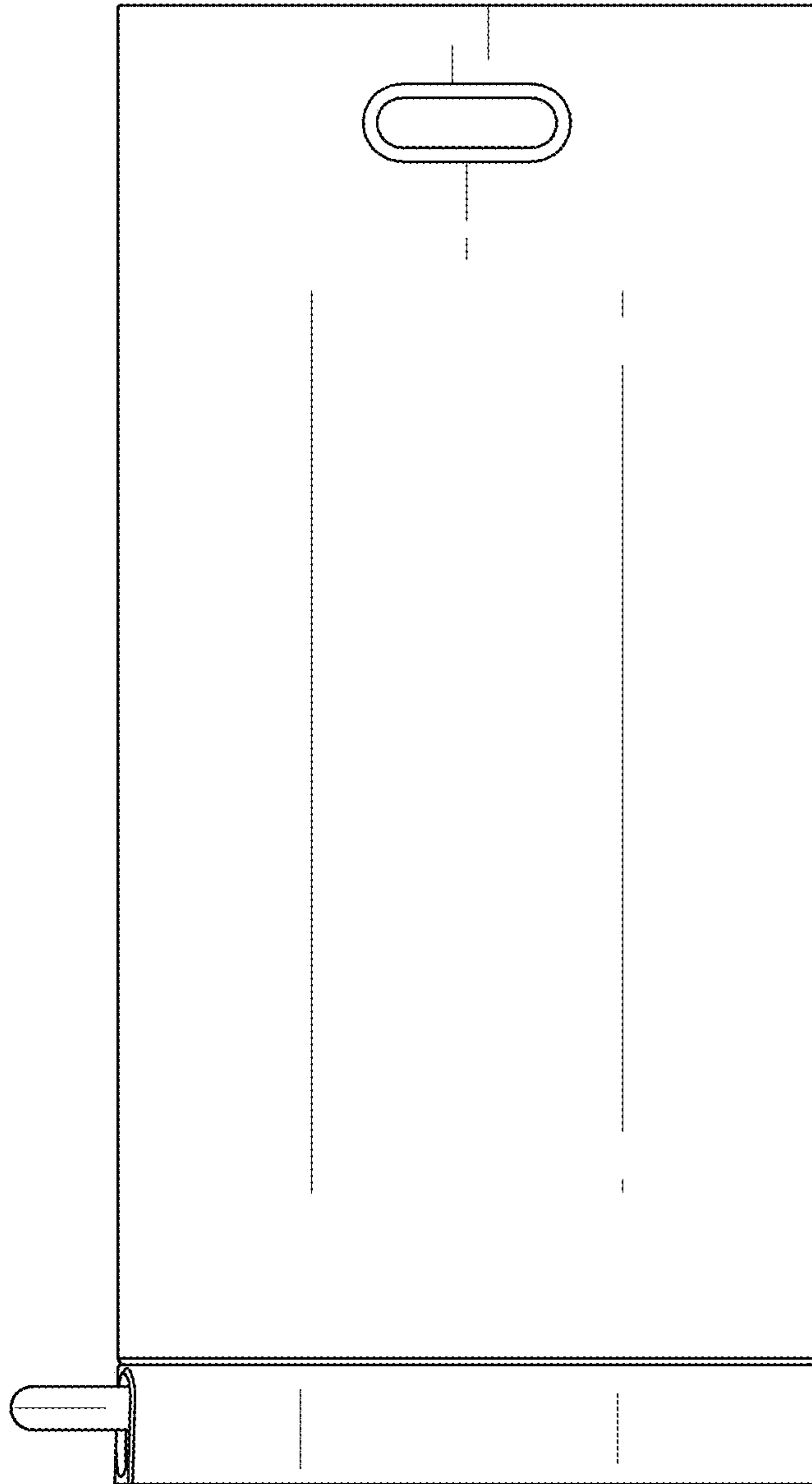


FIG. 6

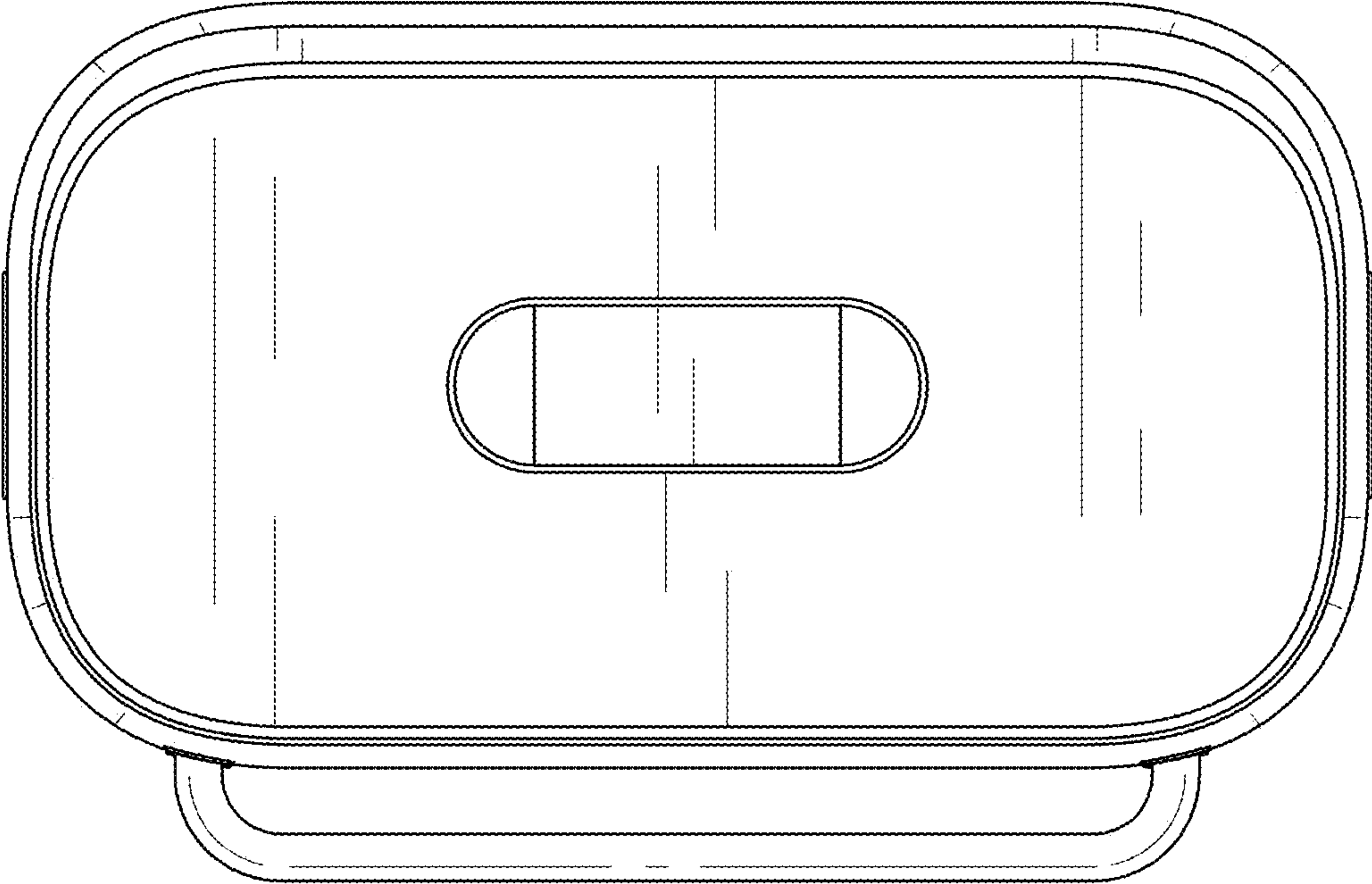


FIG. 7

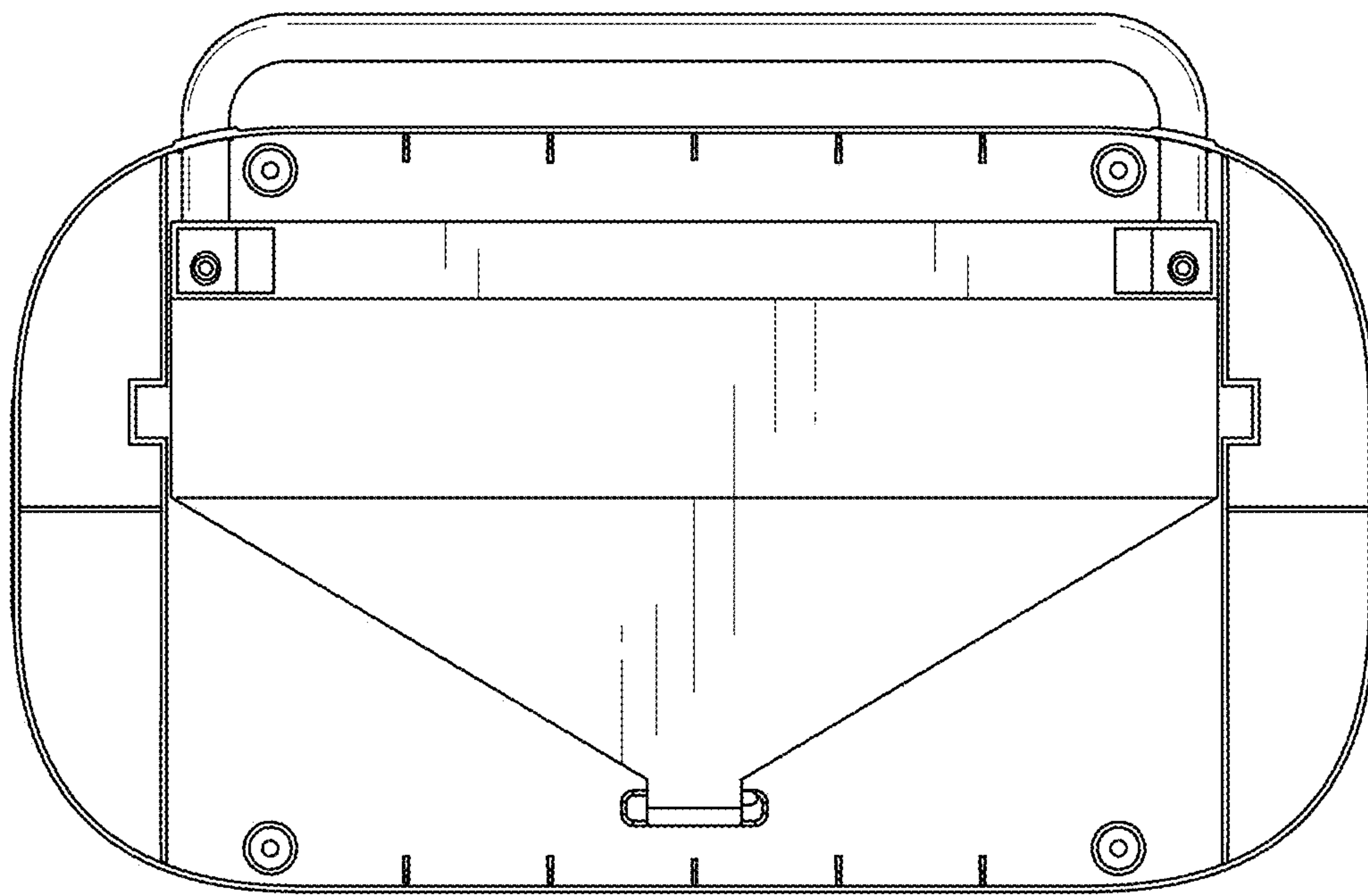


FIG. 8