



US00D951577S

(12) **United States Design Patent** (10) **Patent No.:** **US D951,577 S**
He (45) **Date of Patent:** **** May 10, 2022**

(54) **TRASH CAN**

OTHER PUBLICATIONS

(71) Applicant: **Yong He**, Pingxiang (CN)
(72) Inventor: **Yong He**, Pingxiang (CN)
(**) Term: **15 Years**
(21) Appl. No.: **29/779,970**
(22) Filed: **Apr. 21, 2021**
(51) **LOC (13) Cl.** **09-09**
(52) **U.S. Cl.**
USPC **D34/1**
(58) **Field of Classification Search**
USPC D34/1, 7, 8, 9, 5, 6, 10, 11; D11/144,
D11/155, 152; D6/403, 556; D3/304,
D3/308, 309, 311, 312, 314
CPC B65F 1/16; B65F 1/1607; B65F 1/1615;
B65F 1/06; B65F 1/163; B65F 1/1623;
B65F 1/1646; B65F 2220/12; B65F
2230/00; B65F 2250/1146; B65F 1/1468;
B65D 21/0209; B65D 2543/00194
See application file for complete search history.

Target.com searched Jan. 24, 2022, mDesign small plastic trash can garbage wastebasket, <https://www.target.com/p/mdesign-small-plastic-oval-trash-can-garbage-wastebasket-2-pack/-/A-79144401> (Year: 2021).*

Target.com Jan. 24, 2021, Rubbermaid 21 quart traditional kitchen, bathroom and office wastebasket, <https://www.target.com/p/rubbermaid-21-quart-traditional-kitchen-bathroom-and-office-wastebasket-trash-can-bisque-2-pack/-/A-7968324> (Year: 2021).*

Amazon.com Jan. 24, 2021, MIEDEON Oval plastic small trash can wastebasket, <https://www.amazon.com/MIEDEON-Plastic-Wastebasket-Container-Bathroom/dp/B09J8PB45P> (Year: 2021).*

* cited by examiner

Primary Examiner — Cynthia Ramirez

(57) **CLAIM**

The ornamental design for a trash can, as shown and described.

(56) **References Cited**

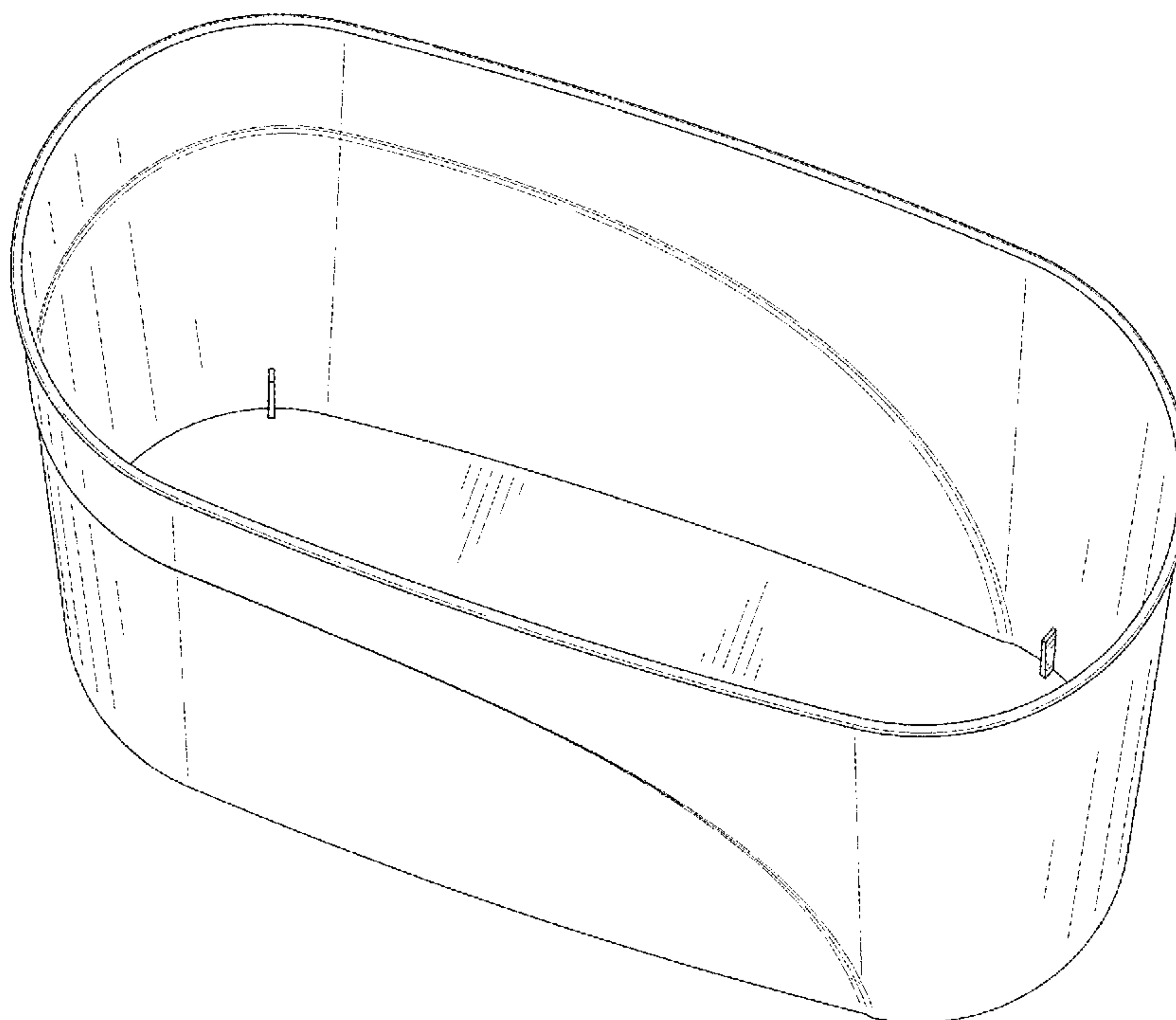
DESCRIPTION

U.S. PATENT DOCUMENTS

D385,213 S * 10/1997 McAllister D11/156
D391,079 S * 2/1998 Conti D3/306
D648,652 S * 11/2011 Hawkins D11/155
D649,085 S * 11/2011 Tremblay D11/155
D773,769 S 12/2016 Chen
D831,288 S 10/2018 Thuma et al.
D872,639 S * 1/2020 Larsen D11/155
D885,003 S * 5/2020 Nicholson D34/1
D941,546 S * 1/2022 Tung D34/4
2007/0034334 A1 * 2/2007 Ramsey B65F 1/06
156/293

FIG. 1 is a perspective view of a trash can showing my new design;
FIG. 2 is another perspective view thereof;
FIG. 3 is a front elevational view thereof;
FIG. 4 is a rear elevational view thereof;
FIG. 5 is a left side elevational view thereof;
FIG. 6 is a right side elevational view thereof;
FIG. 7 is a top plan view thereof; and,
FIG. 8 is a bottom plan view thereof.

1 Claim, 8 Drawing Sheets



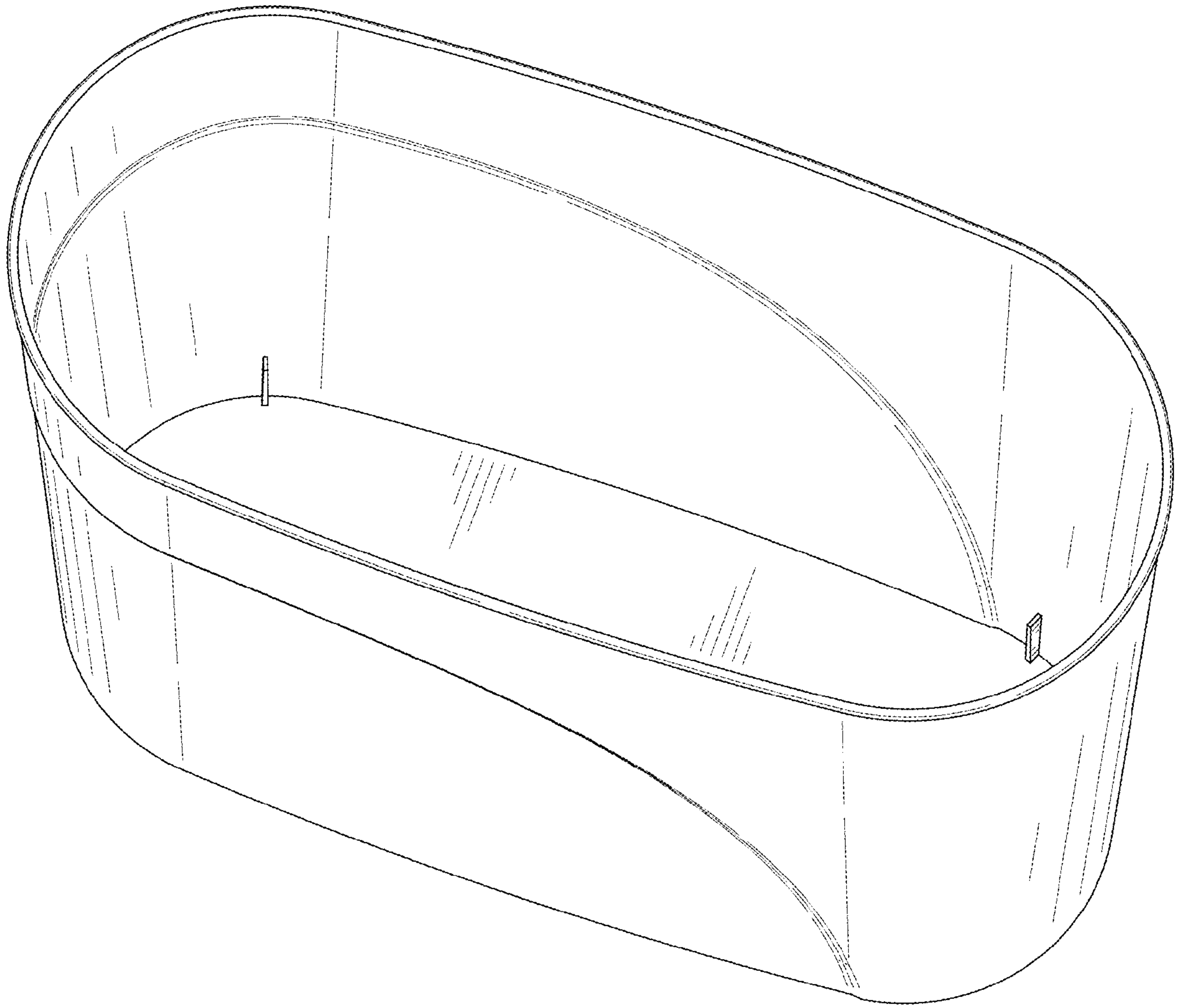


FIG. 1

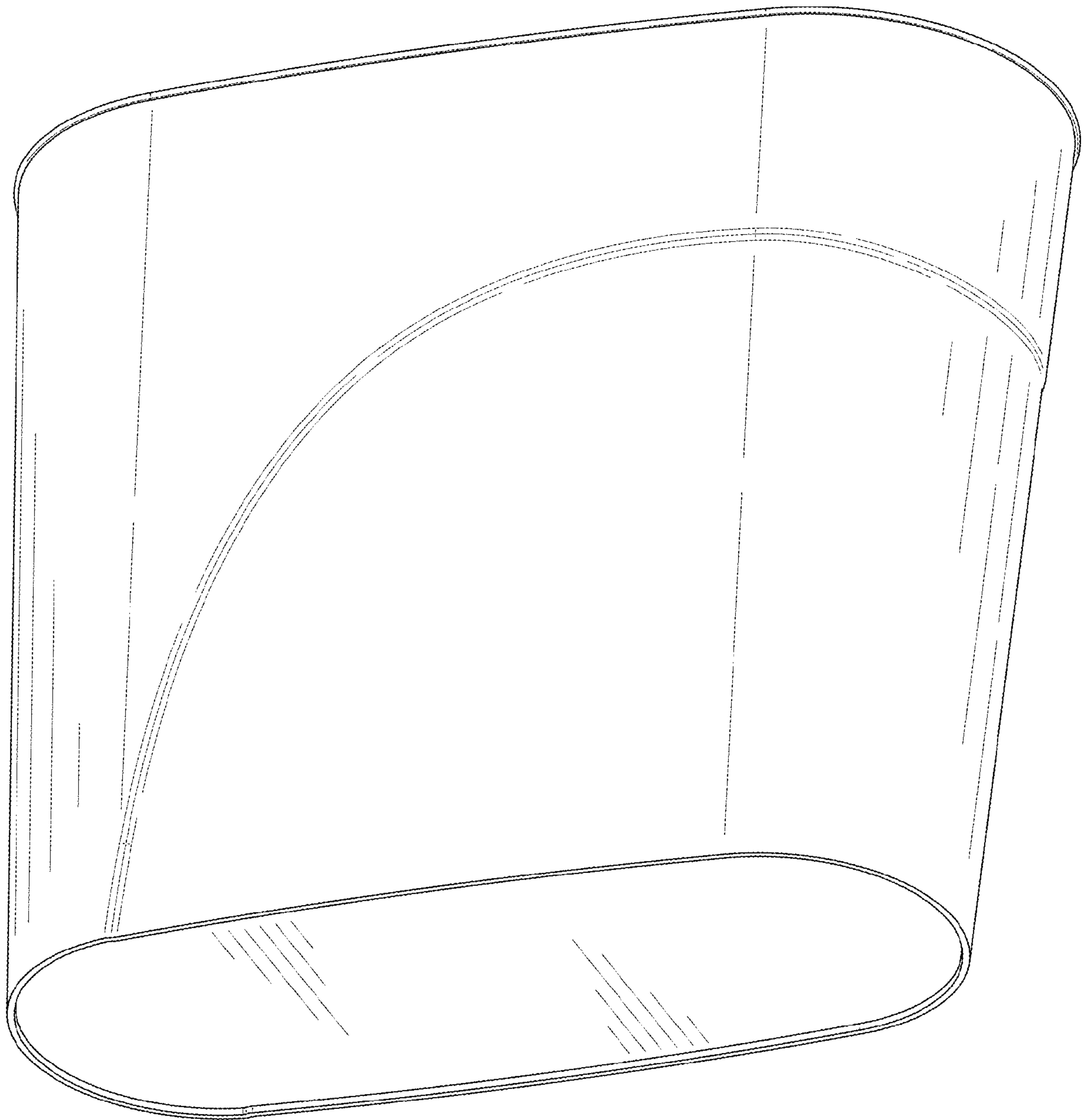


FIG. 2

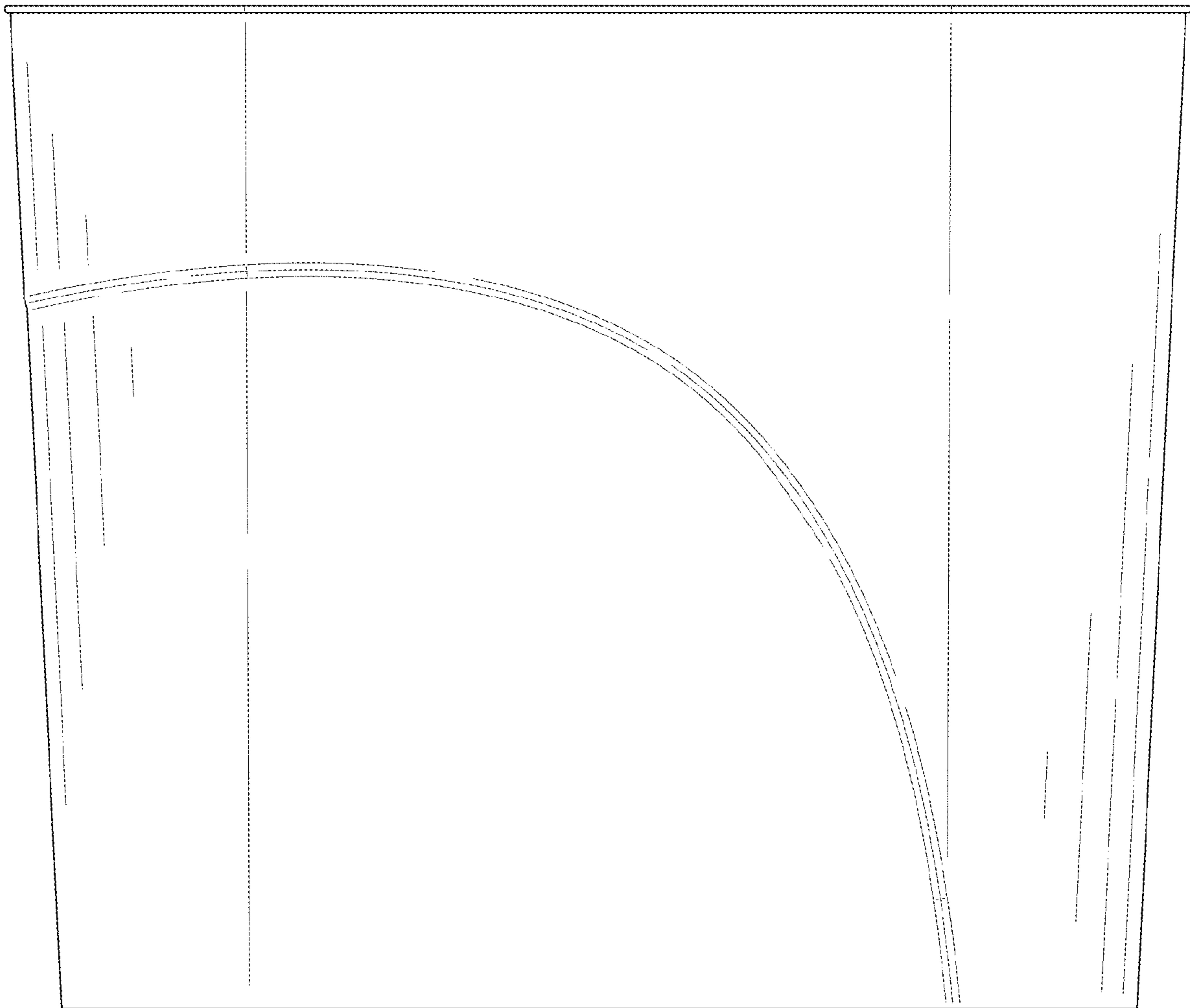


FIG. 3

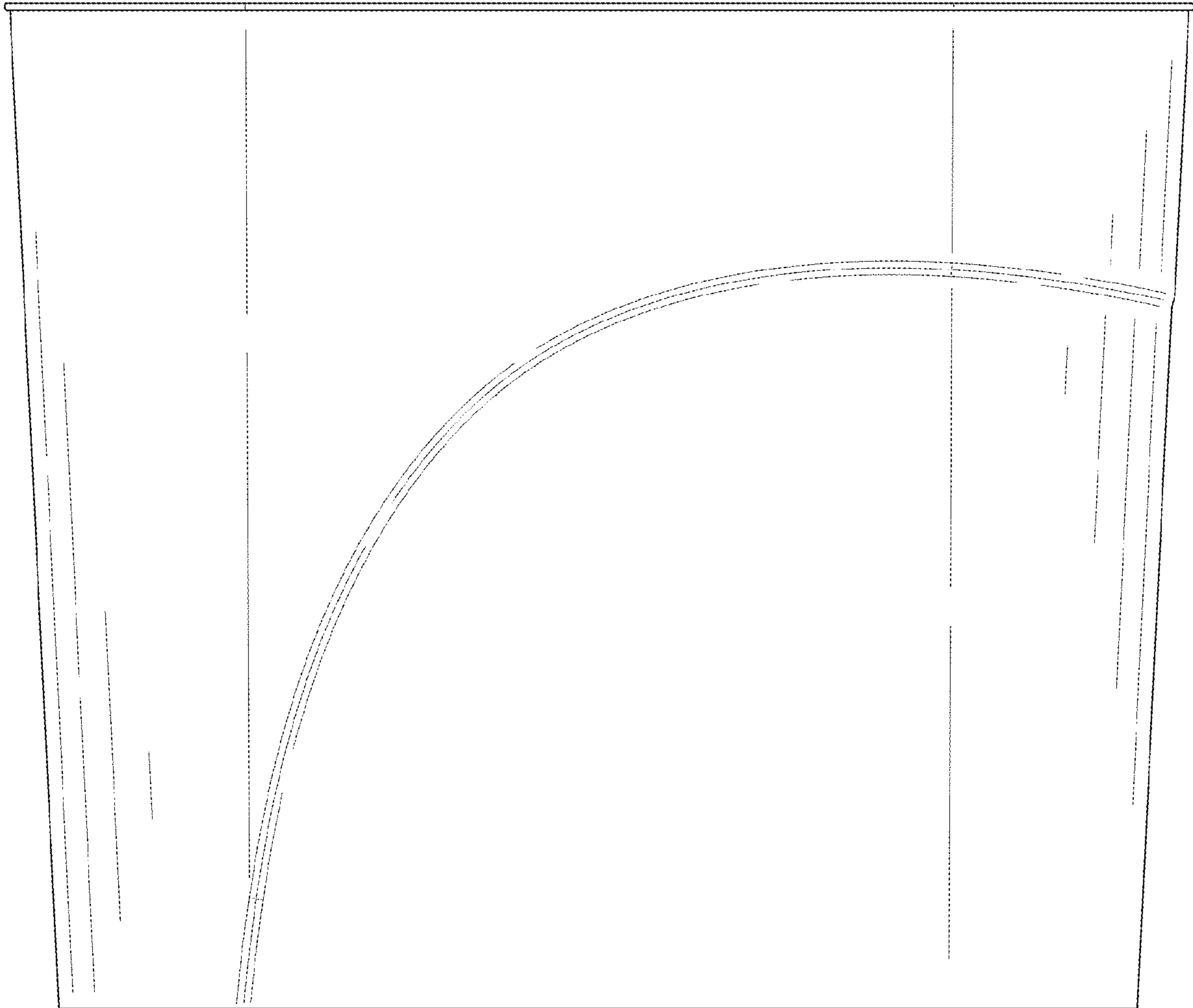


FIG. 4

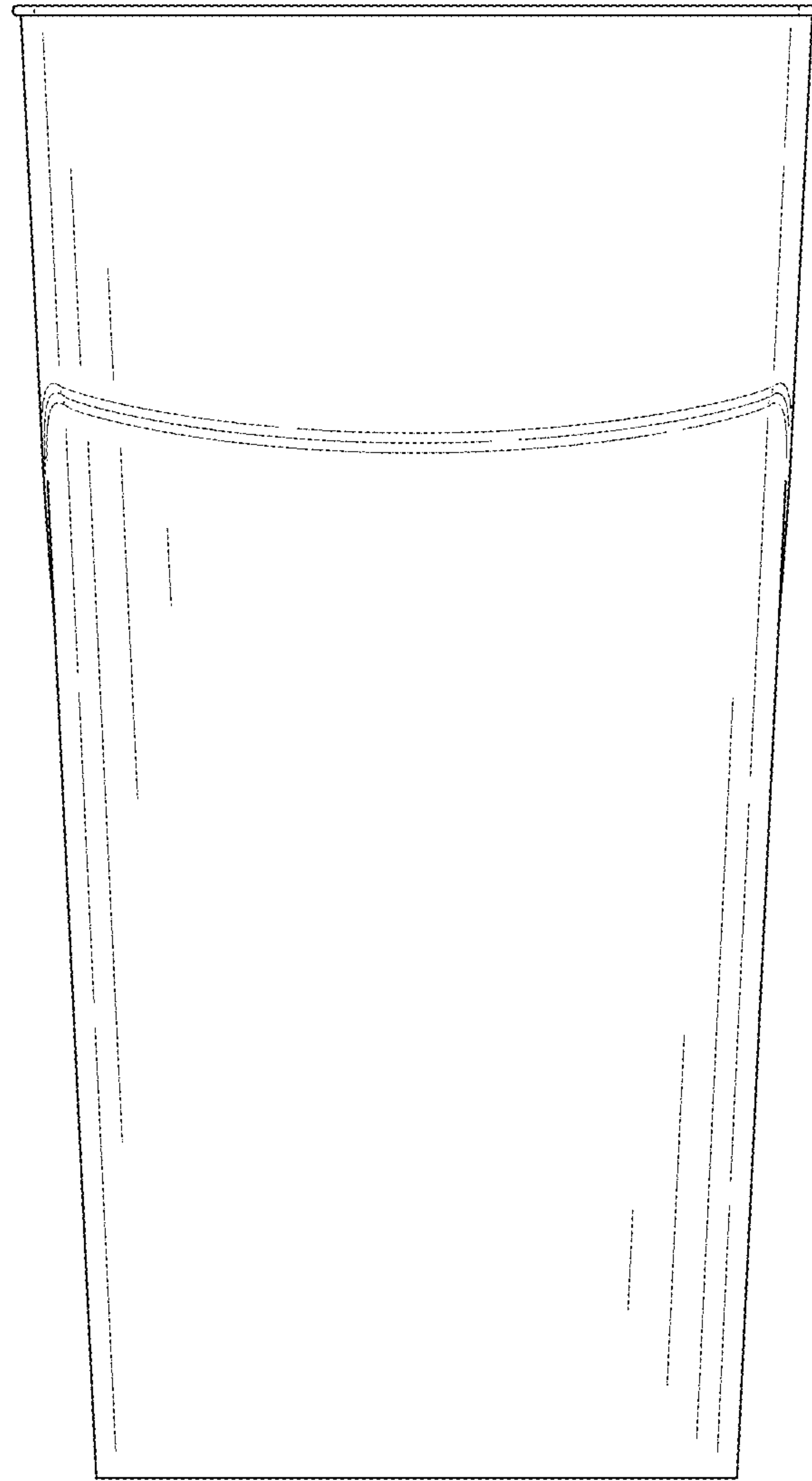


FIG. 5

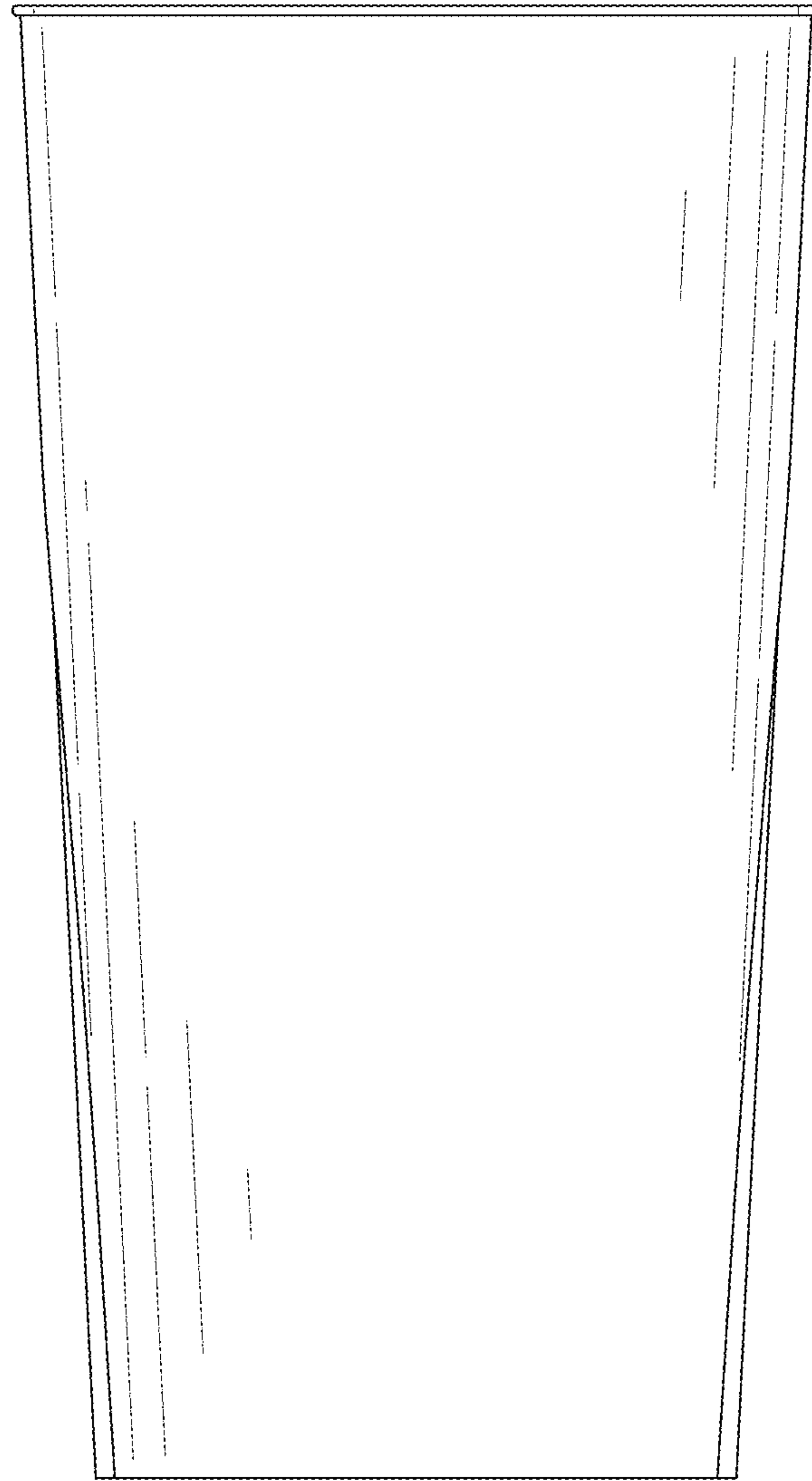


FIG. 6

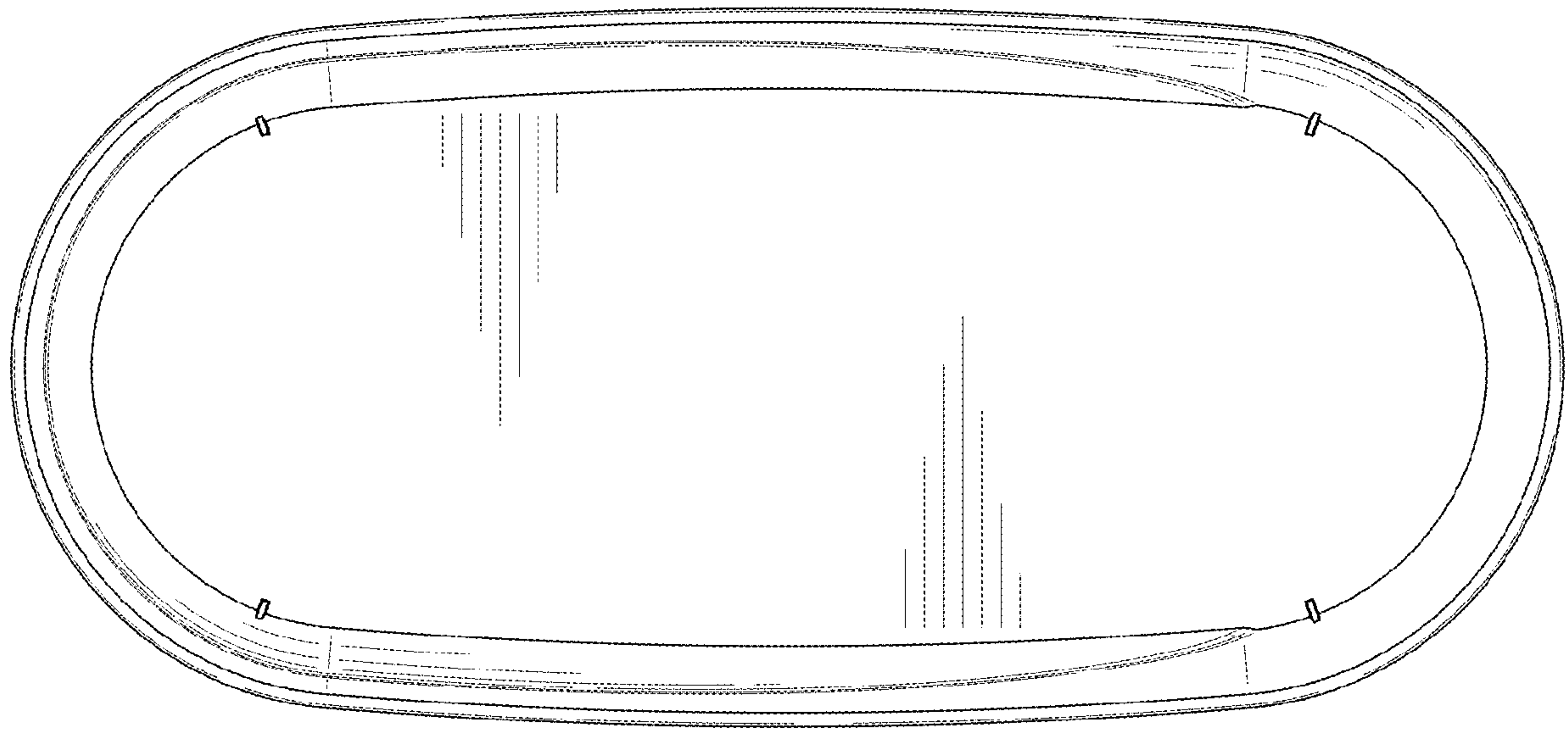


FIG. 7

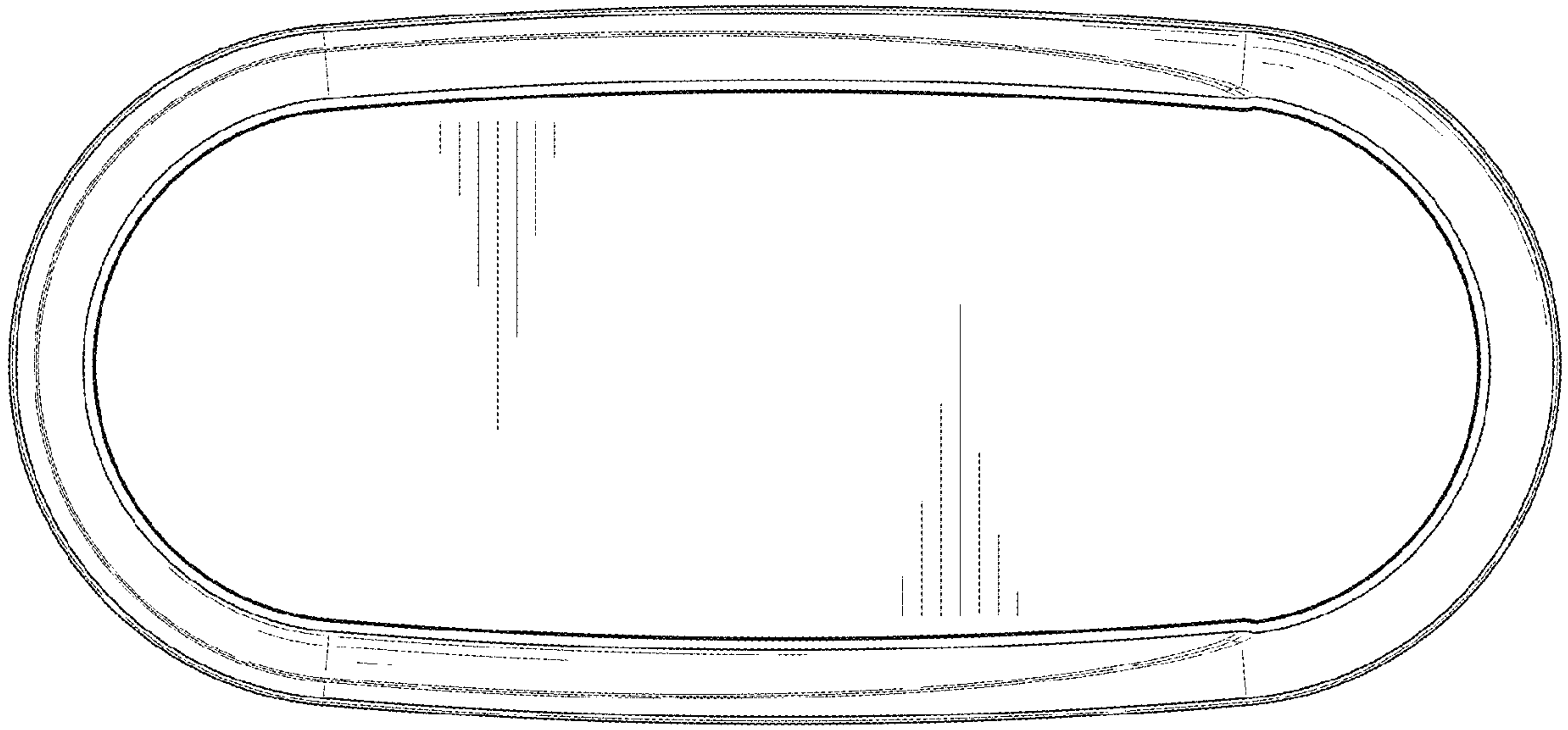


FIG. 8