



US00D951576S

(12) **United States Design Patent**  
**Park et al.**

(10) **Patent No.:** **US D951,576 S**  
(45) **Date of Patent:** **\*\* May 10, 2022**

(54) **IRONING BOARD**

FOREIGN PATENT DOCUMENTS

(71) Applicant: **LG ELECTRONICS INC.**, Seoul (KR)

RU 00121945 \* 10/2020  
RU 00121946 \* 10/2020

(Continued)

(72) Inventors: **Kyutae Park**, Seoul (KR); **Hoil Jeon**, Seoul (KR); **Youngsoo Ha**, Seoul (KR); **Kyungah Lee**, Seoul (KR); **Jaecil Bae**, Seoul (KR)

OTHER PUBLICATIONS

(73) Assignee: **LG ELECTRONICS INC.**, Seoul (KR)

Battistella EGEO Fixed Ironing Board + BARBARA 31 Steam Generator with Iron, announced in YouTube on May 2, 2013 [online], [site visited Oct. 19, 2021], Available from the internet URL: <https://www.youtube.com/watch?v=gY6iKp-UDJw> (Year: 2013).\*

(Continued)

(\*\*) Term: **15 Years**

(21) Appl. No.: **29/752,932**

*Primary Examiner* — Amy C Wierenga  
*Assistant Examiner* — Jennylou M Binas

(22) Filed: **Sep. 29, 2020**

(74) *Attorney, Agent, or Firm* — Birch, Stewart, Kolasch & Birch, LLP

(30) **Foreign Application Priority Data**

Apr. 17, 2020 (KR) ..... 30-2020-0017180

(51) **LOC (13) Cl.** ..... **07-05**

(52) **U.S. Cl.**  
USPC ..... **D32/66**

(58) **Field of Classification Search**  
USPC ..... D32/9, 35, 58, 60, 66, 67; D21/526  
CPC ..... A47B 39/06; A47B 46/00; A47B 61/02; A47B 63/04; A47B 77/10; A47B 77/16; A47G 25/40; D06F 73/00; D06F 81/00; D06F 81/003; D06F 81/006; D06F 81/02; D06F 81/04; D06F 81/06; D06F 81/08; D06F 81/12; D06F 83/00; Y10S 38/00;  
(Continued)

(57) **CLAIM**

We claim the ornamental design for an ironing board, as shown and described.

**DESCRIPTION**

FIG. 1 is a perspective view of an ironing board showing the new design;  
FIG. 2 is a front elevation view thereof;  
FIG. 3 is a rear elevation view thereof;  
FIG. 4 is a left side elevation view thereof;  
FIG. 5 is a right side elevation view thereof;  
FIG. 6 is a top plan view thereof;  
FIG. 7 is a bottom plan view thereof;  
FIG. 8 is a perspective view of the ironing board showing an alternate configuration with the auxiliary board and the hanger unfolded; and,  
FIG. 9 is a perspective view of the ironing board showing an alternate configuration with the control tower hidden down. The broken lines represent portions of the ironing board that form no part of the claimed design.

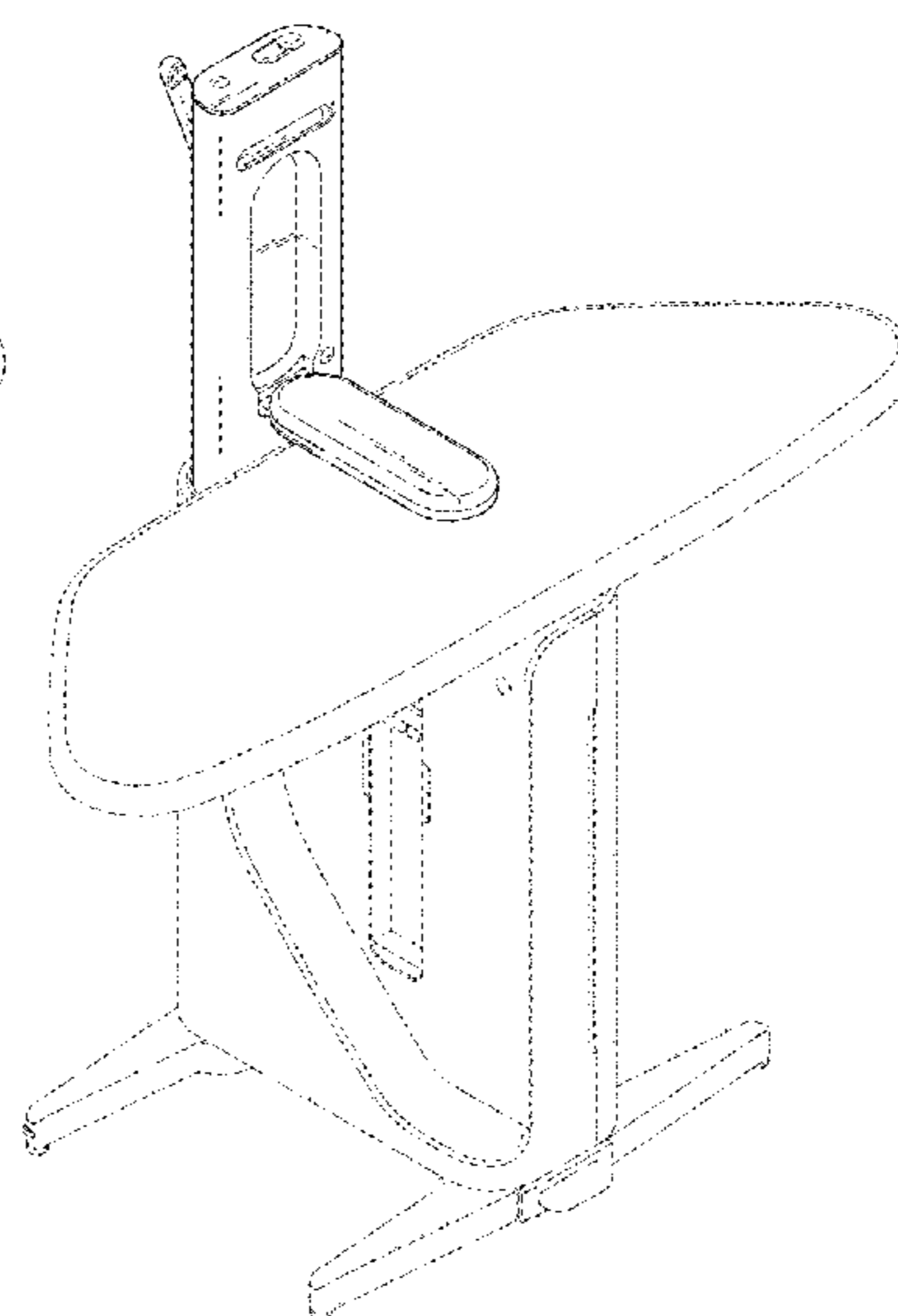
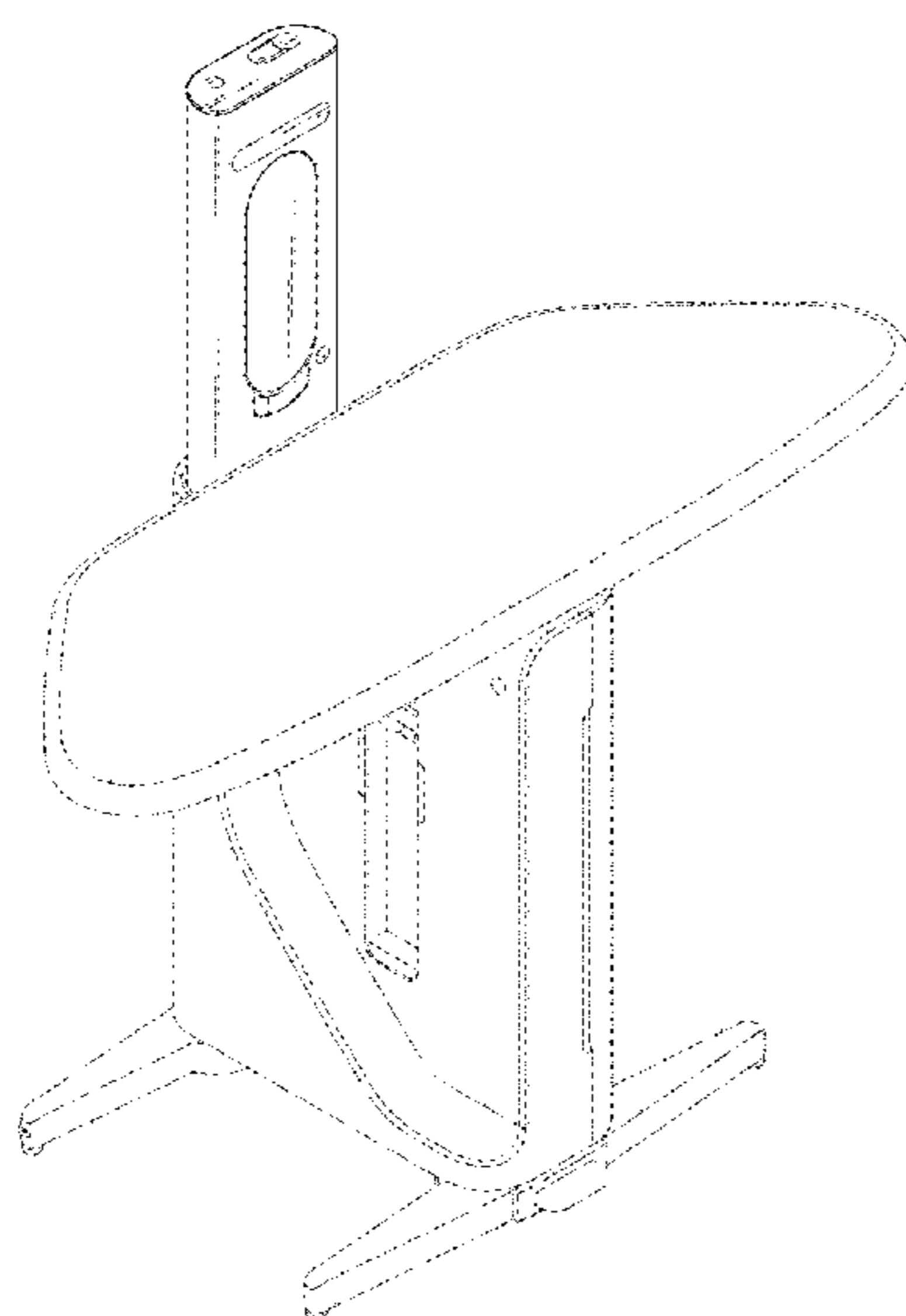
(56) **References Cited**

U.S. PATENT DOCUMENTS

D20,694 S \* 4/1891 Day ..... D32/66  
D28,202 S \* 1/1898 Dana ..... D32/66

(Continued)

**1 Claim, 9 Drawing Sheets**



(58) **Field of Classification Search**

CPC ..... Y10S 38/01; Y10S 38/02; Y10S 38/03;  
Y10T 292/305

See application file for complete search history.

FOREIGN PATENT DOCUMENTS

RU	00125159	*	5/2021
RU	00125162	*	5/2021
RU	00125161	*	8/2021
WO	D206724-001	*	5/2021
WO	D207412-001	*	8/2021

(56) **References Cited**

U.S. PATENT DOCUMENTS

D28,612	S	*	5/1898	Rowse et al.	.....	D32/66
2,854,148	A	*	9/1958	Mattos	.....	D06F 81/006 108/28
D326,487	S	*	5/1992	Monneret	.....	D21/526
D543,671	S	*	5/2007	Chu	.....	D32/66
D543,672	S	*	5/2007	Chu	.....	D32/66
D545,520	S	*	6/2007	Oberdorf	.....	D32/58
D546,515	S	*	7/2007	Wicky	.....	D32/66
D704,912	S	*	5/2014	Gameiro	.....	D32/66
D734,042	S	*	7/2015	Williams	.....	D6/336
D766,000	S	*	9/2016	Williams	.....	D6/336
D808,606	S	*	1/2018	Greenspon	.....	D32/58
D940,124	S	*	1/2022	Bae	.....	D14/253
D940,423	S	*	1/2022	Bae	.....	D32/66

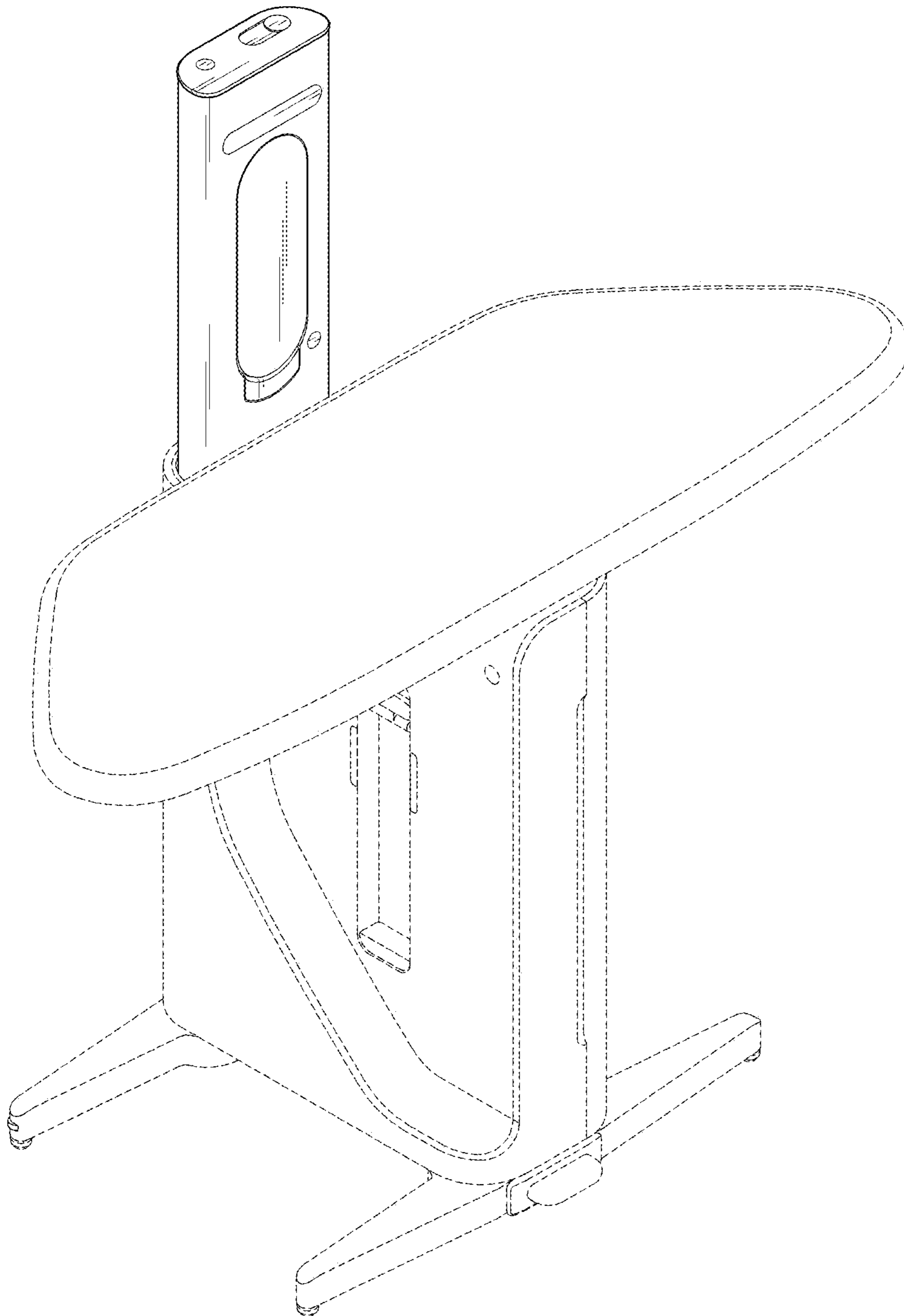
OTHER PUBLICATIONS

Miele B3847 Fashionmaster Ironing System,date 1st available Mar. 9, 2017[online],[site visited Sep. 9, 2021], Available from the internet URL: [https://www.amazon.ca/Miele-B3847-Fashionmaster-Ironing-System/dp/B01N705TG5/ref=sr\\_1\\_1?dchild=1&keywords=Miele+FashionMaster+Ironing+System&qid=1631218268&sr=8-1](https://www.amazon.ca/Miele-B3847-Fashionmaster-Ironing-System/dp/B01N705TG5/ref=sr_1_1?dchild=1&keywords=Miele+FashionMaster+Ironing+System&qid=1631218268&sr=8-1) (Year: 2017).\*

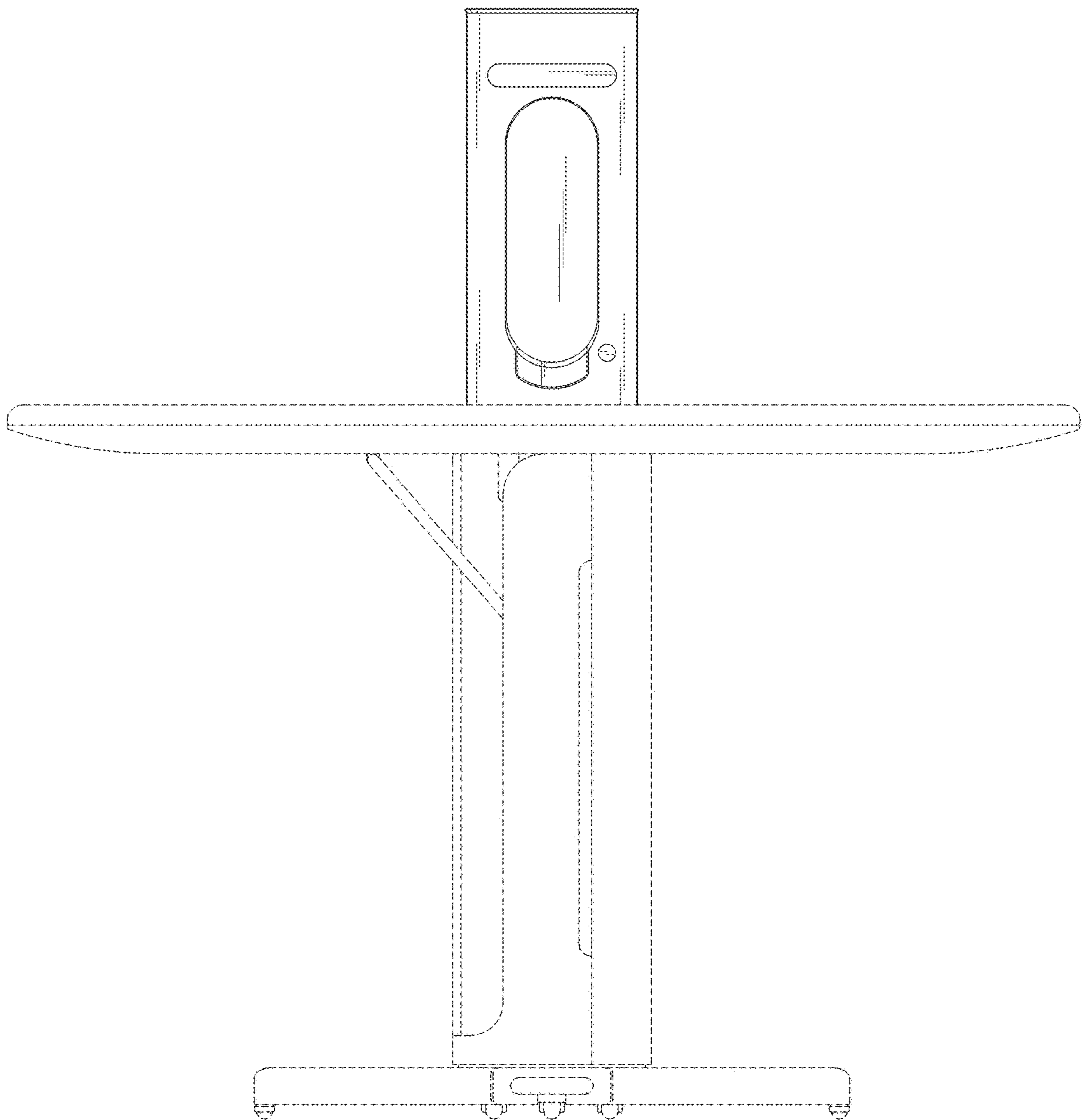
SINGES Collapsible Drying Rack ,customer review oldest date Feb. 16, 2021 [online], [site visited Sep. 23, 2021], From URL :<https://www.walmart.com/ip/SINGES-Collapsible-Clothes-Drying-Rack-Portable-Garment-Racks-Indoor-Outdoor-Foldable-Standing-Laundry-Clothes-Tripod-Stand-Steamer-Hanger-Stand/308331609> (Year: 2021).\*

\* cited by examiner

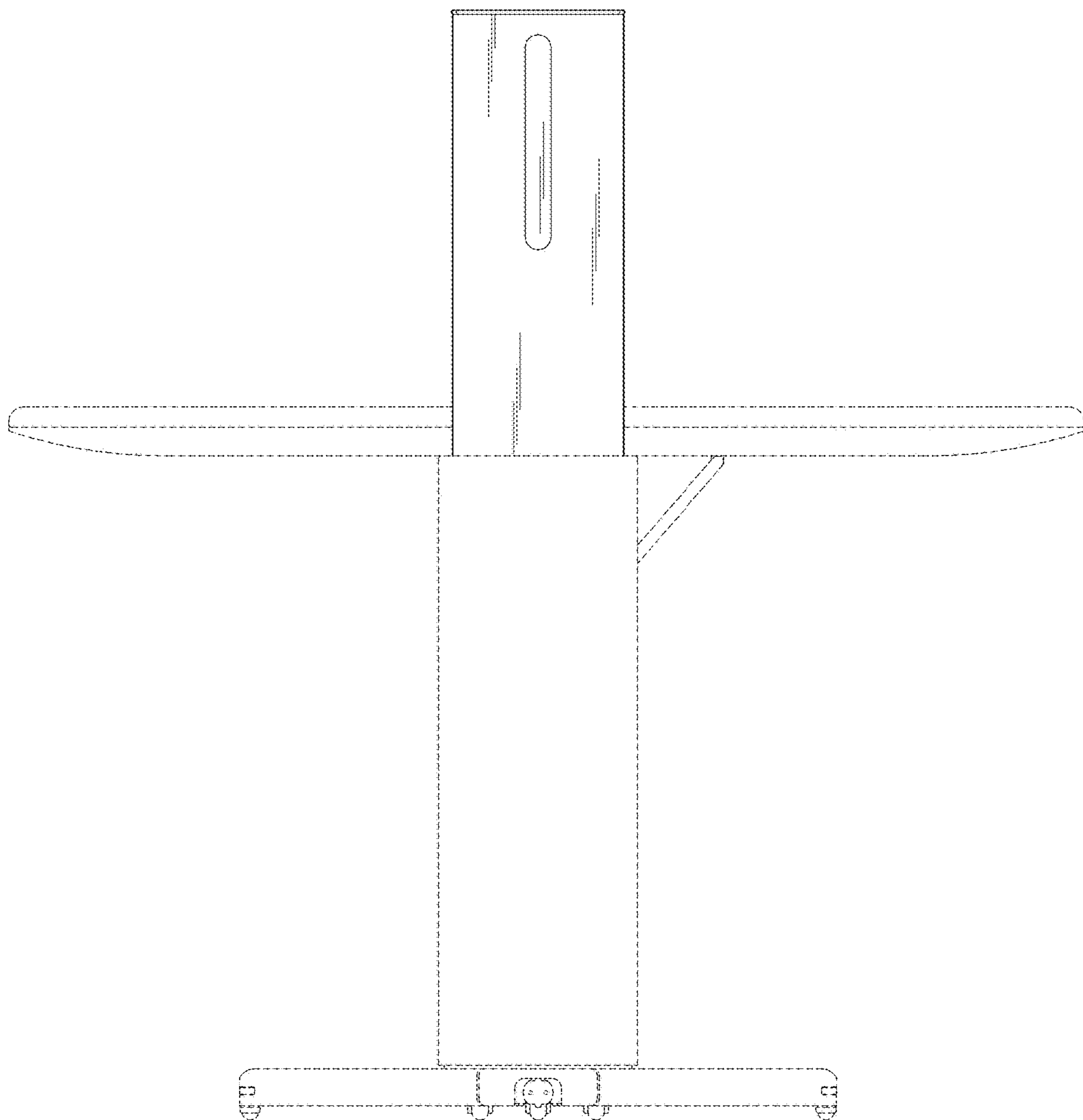
*FIG. 1*



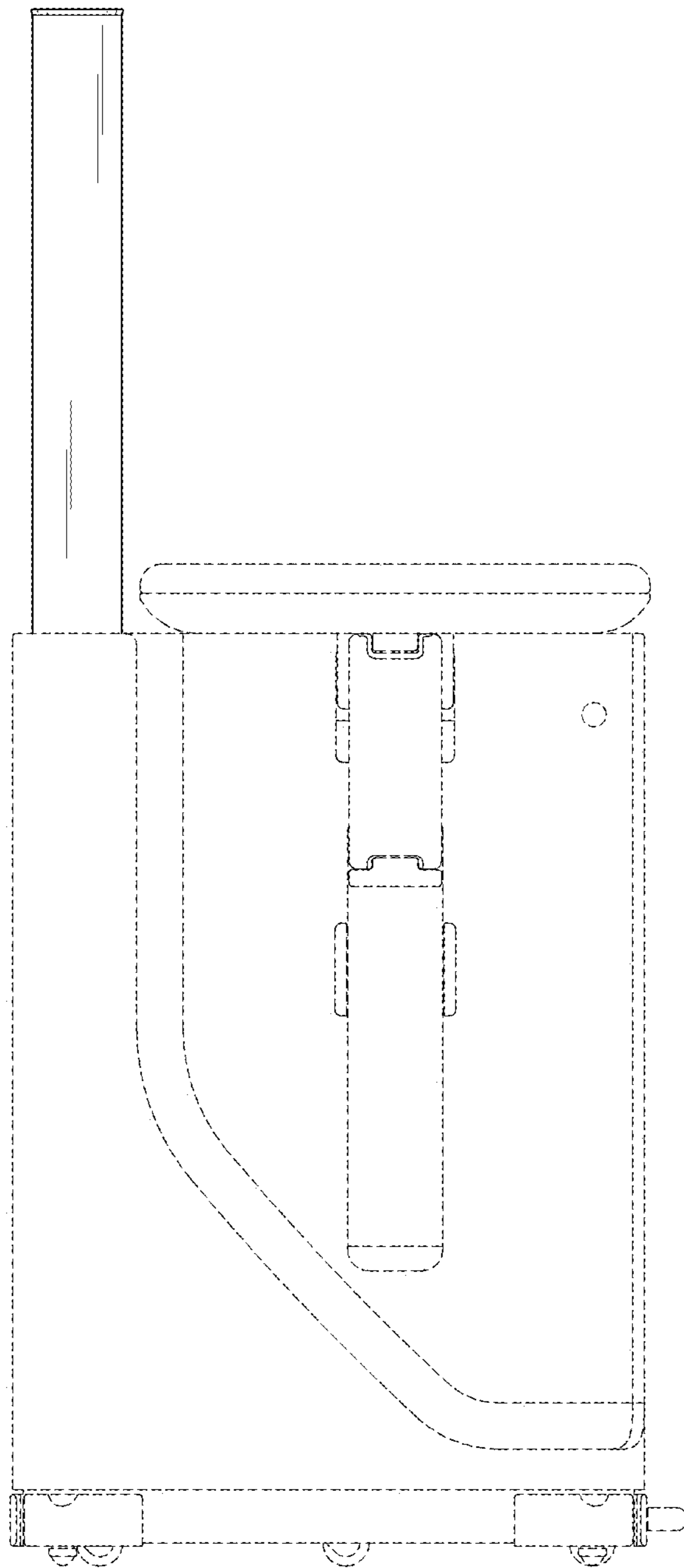
*FIG. 2*



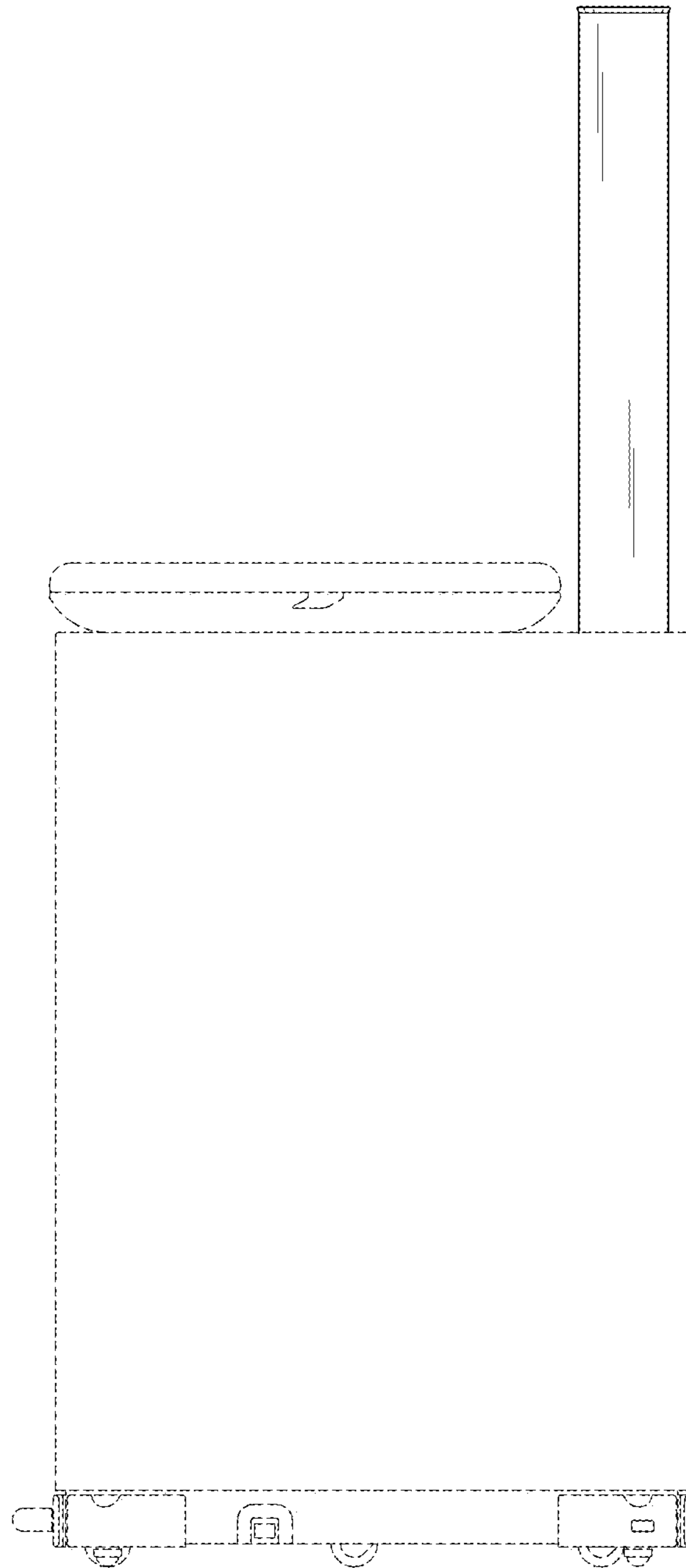
*FIG. 3*



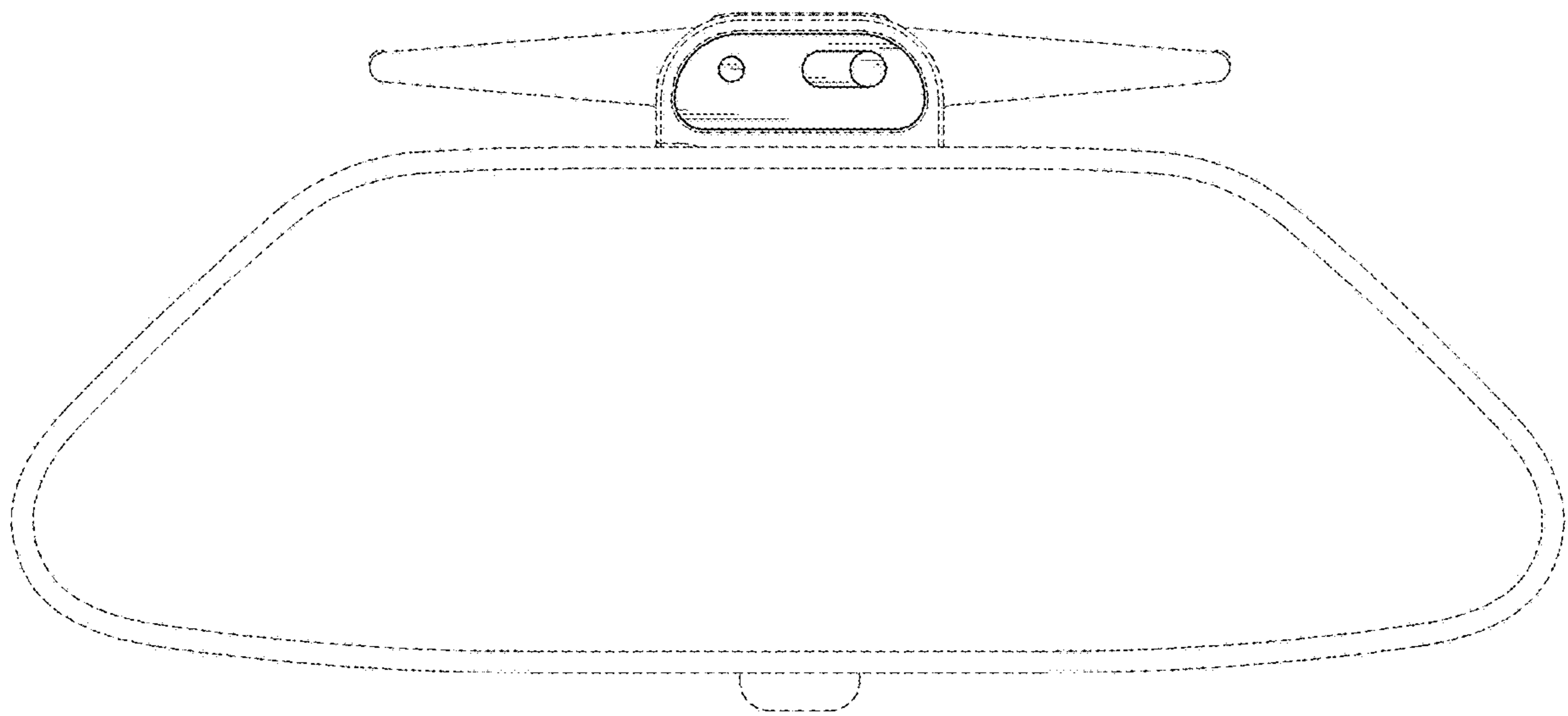
*FIG. 4*



*FIG. 5*

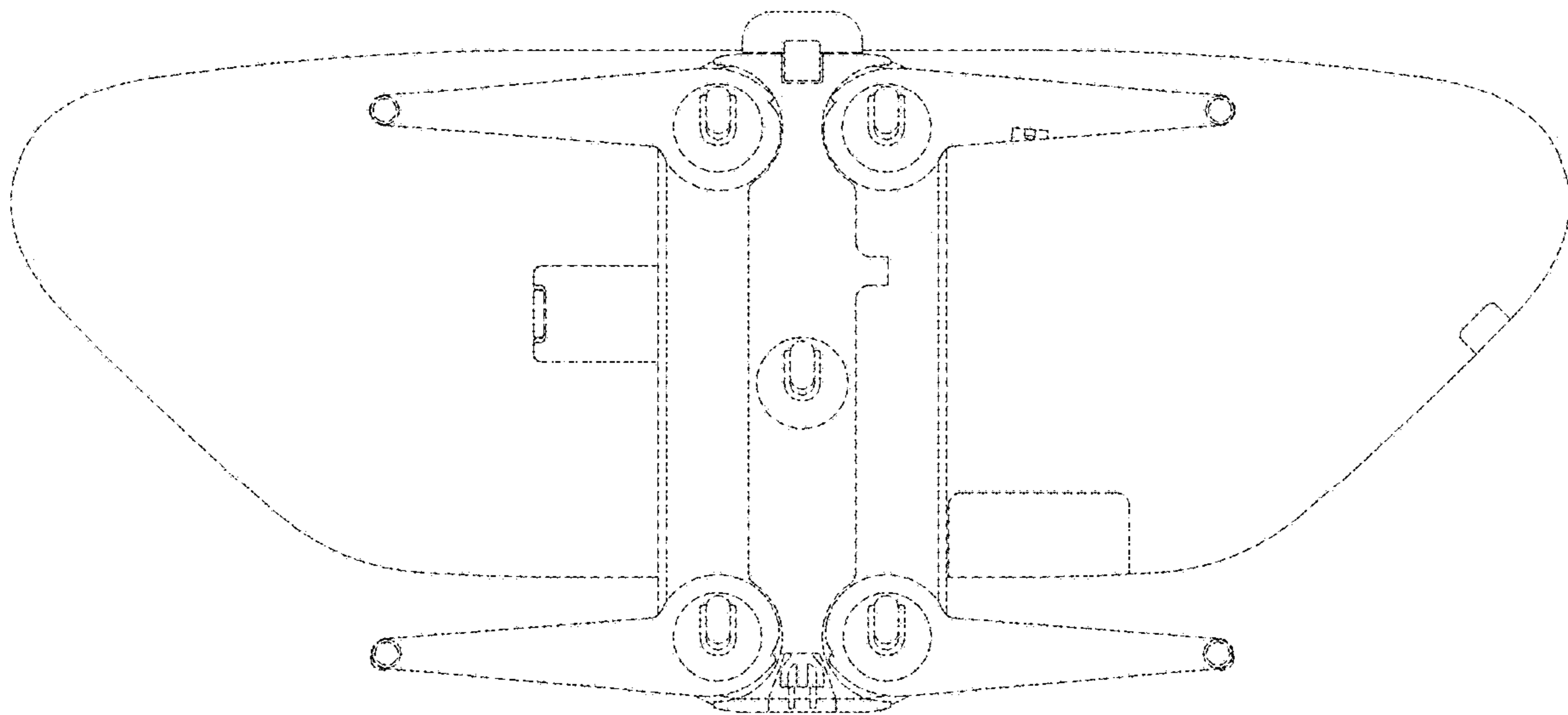


*FIG. 6*

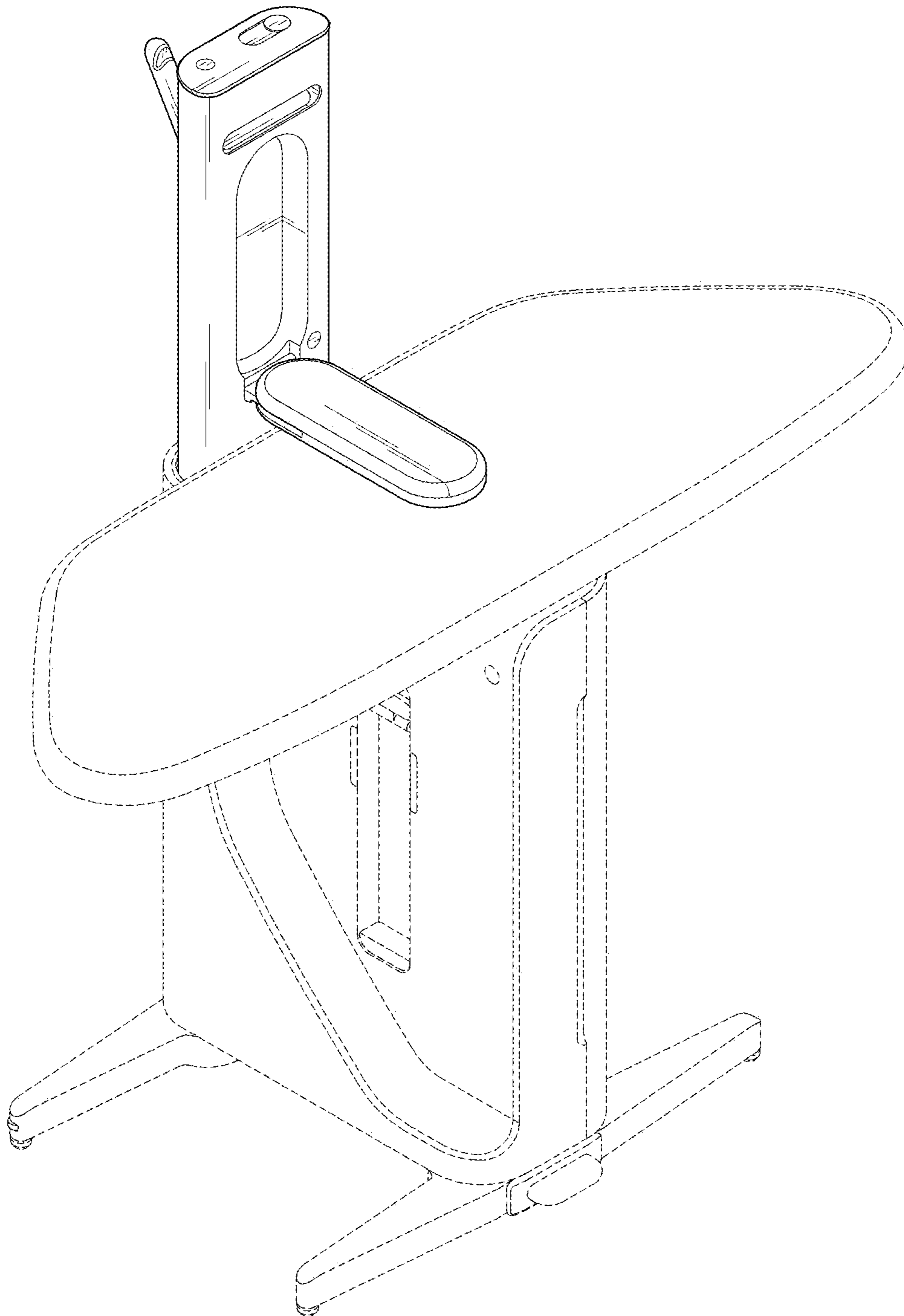




*FIG. 7*



*FIG. 8*



*FIG. 9*

