



US00D951575S

(12) **United States Design Patent**
Park et al.

(10) **Patent No.:** **US D951,575 S**
(45) **Date of Patent:** **** May 10, 2022**

(54) **IRONING BOARD**

FOREIGN PATENT DOCUMENTS

(71) Applicant: **LG ELECTRONICS INC.**, Seoul (KR)

RU 00121945 * 10/2020
RU 00121946 * 10/2020

(Continued)

(72) Inventors: **Kyutae Park**, Seoul (KR); **Hoil Jeon**, Seoul (KR); **Youngsoo Ha**, Seoul (KR); **Kyungah Lee**, Seoul (KR); **Jaecil Bae**, Seoul (KR)

OTHER PUBLICATIONS

(73) Assignee: **LG ELECTRONICS INC.**, Seoul (KR)

Battistella EGEO Fixed Ironing Board + BARBARA 31 Steam Generator with Iron, announced in YouTube on May 2, 2013 [online], [site visited Oct. 19, 2021], Available from the internet URL: <https://www.youtube.com/watch?v=gY6iKp-UDJw> (Year: 2013).*

(Continued)

(**) Term: **15 Years**

(21) Appl. No.: **29/752,816**

Primary Examiner — Amy C Wierenga
Assistant Examiner — Jennylou M Binas

(22) Filed: **Sep. 29, 2020**

(74) *Attorney, Agent, or Firm* — Birch, Stewart, Kolash & Birch, LLP

(30) **Foreign Application Priority Data**

Apr. 17, 2020 (KR) 30-2020-0017181

(51) **LOC (13) Cl.** **07-05**

(52) **U.S. Cl.**
USPC **D32/66**

(58) **Field of Classification Search**
USPC D32/9, 35, 58, 60, 66, 67; D21/526
CPC A47B 46/00; A47B 61/02; A47B 63/04; A47B 77/10; A47B 77/16; A47G 25/40; D06F 81/00; D06F 81/003; D06F 81/006; D06F 81/02; D06F 81/04; D06F 81/06; D06F 81/08; D06F 81/12; D06F 83/00;
(Continued)

(56) **References Cited**

U.S. PATENT DOCUMENTS

D20,694 S * 4/1891 Day D32/66
D28,202 S * 1/1898 Dana D32/66
D28,612 S * 5/1898 Rowse et al. D32/66

(Continued)

(57) **CLAIM**

We claim the ornamental design for an ironing board, as shown and described.

DESCRIPTION

FIG. 1 is a perspective view of an ironing board showing the new design;
FIG. 2 is a front elevation view thereof;
FIG. 3 is a rear elevation view thereof;
FIG. 4 is a left side elevation view thereof;
FIG. 5 is a right side elevation view thereof;
FIG. 6 is a top plan view thereof;
FIG. 7 is a bottom plan view thereof;
FIG. 8 is a perspective view of the ironing board showing an alternate configuration with the auxiliary board and the hanger unfolded; and,
FIG. 9 is a perspective view of the ironing board showing an alternate configuration with the control tower hidden down. The broken lines represent portions of the ironing board that form no part of the claimed design.

1 Claim, 9 Drawing Sheets

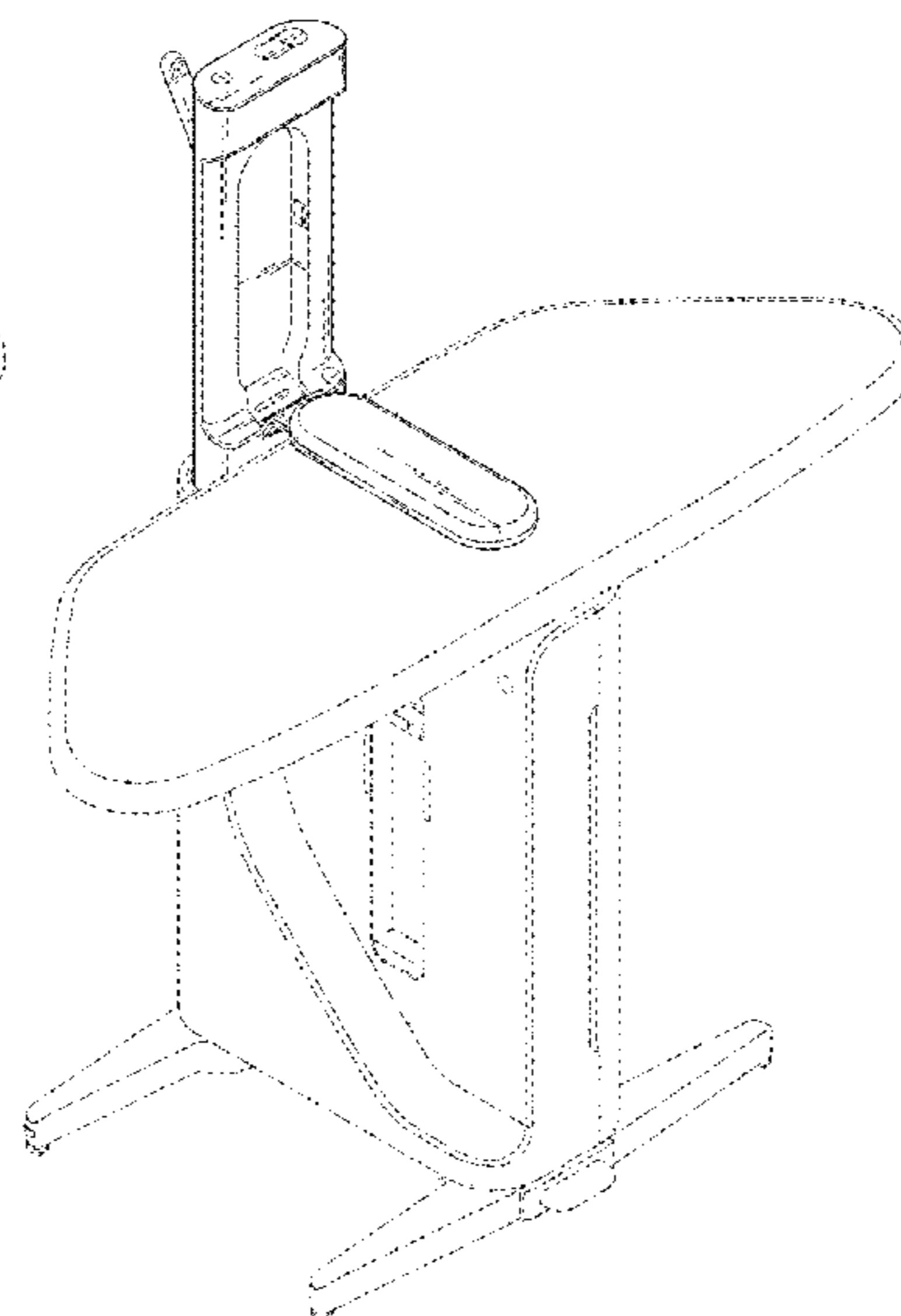
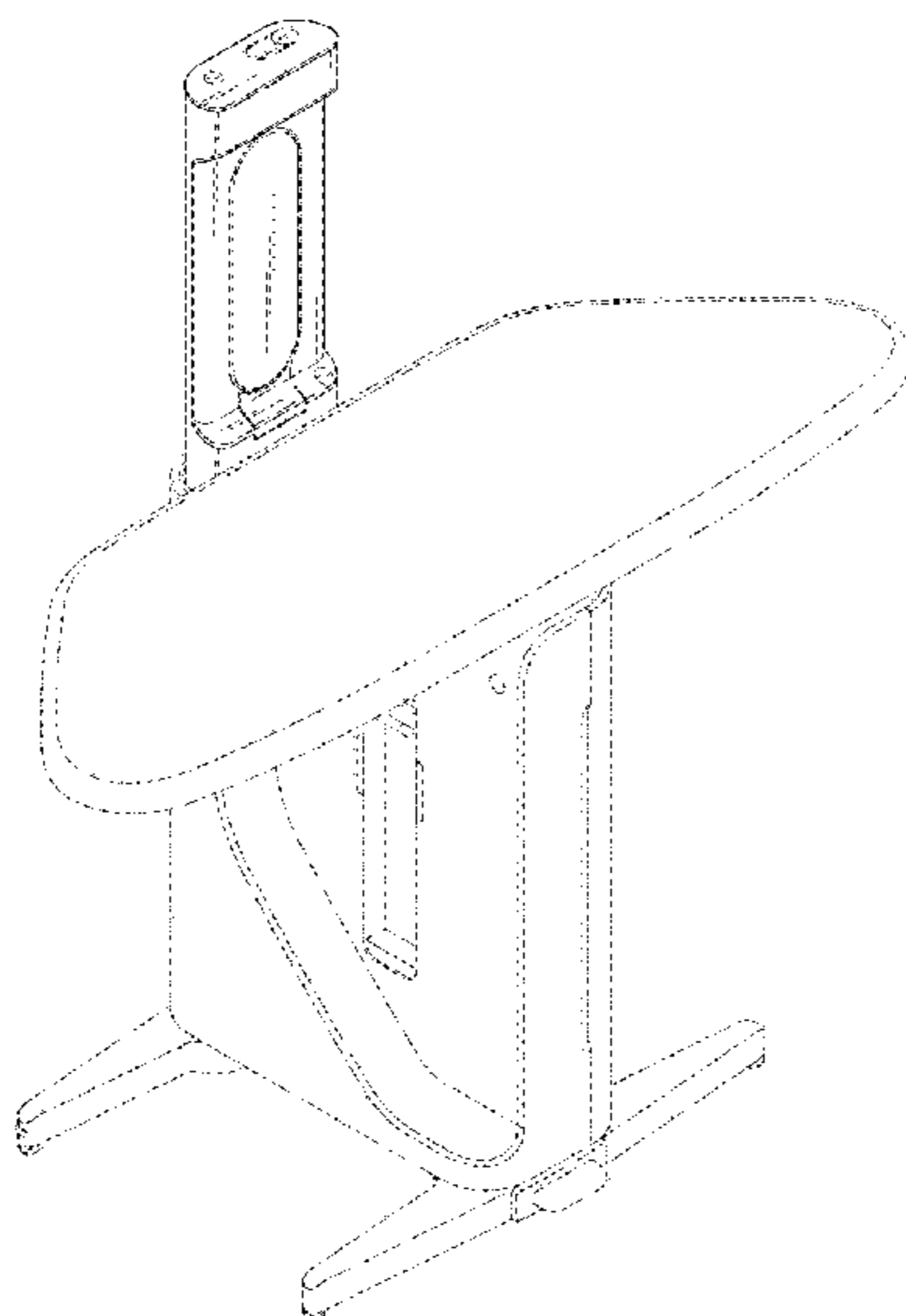


FIG. 1

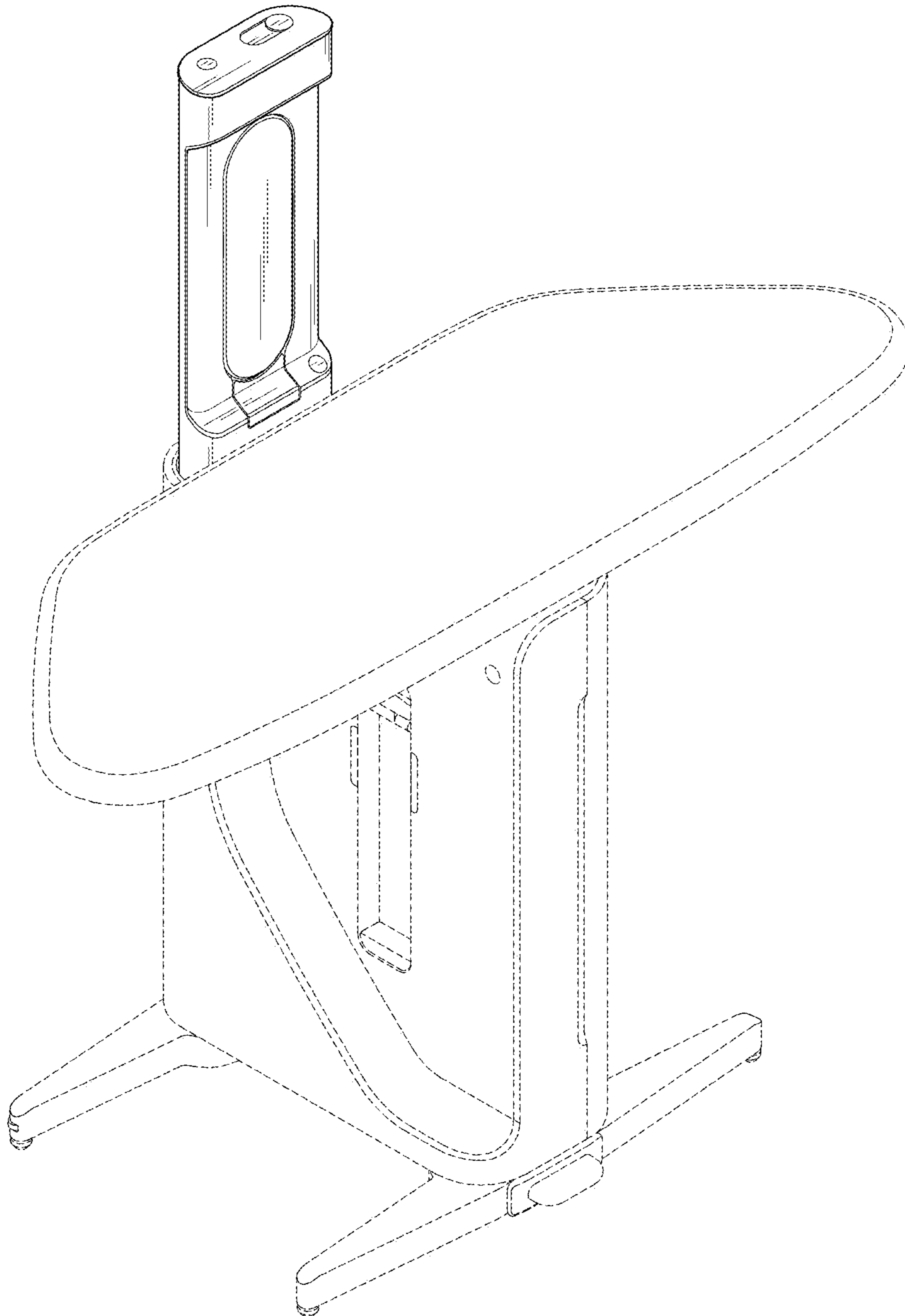


FIG. 2

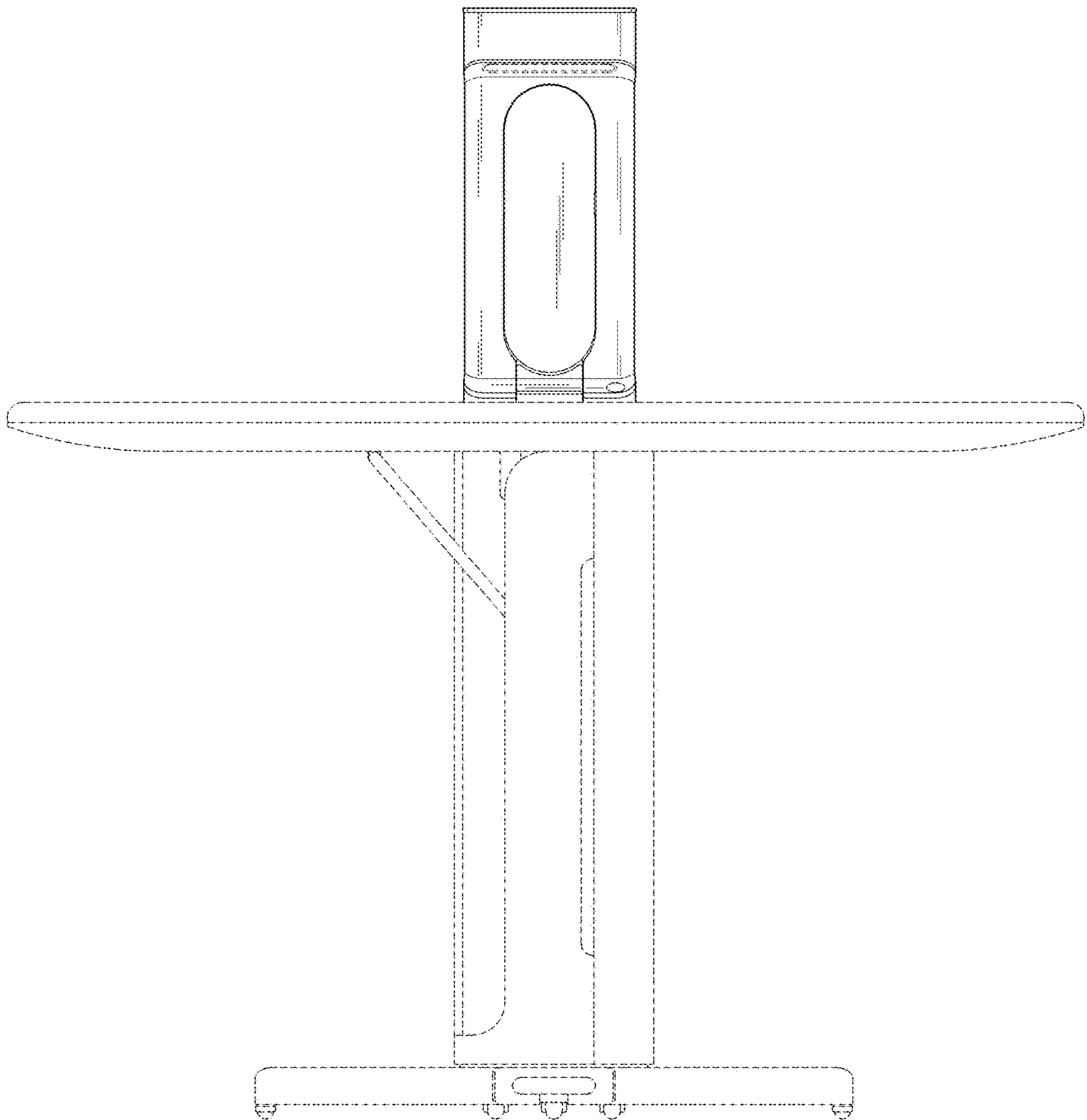


FIG. 3

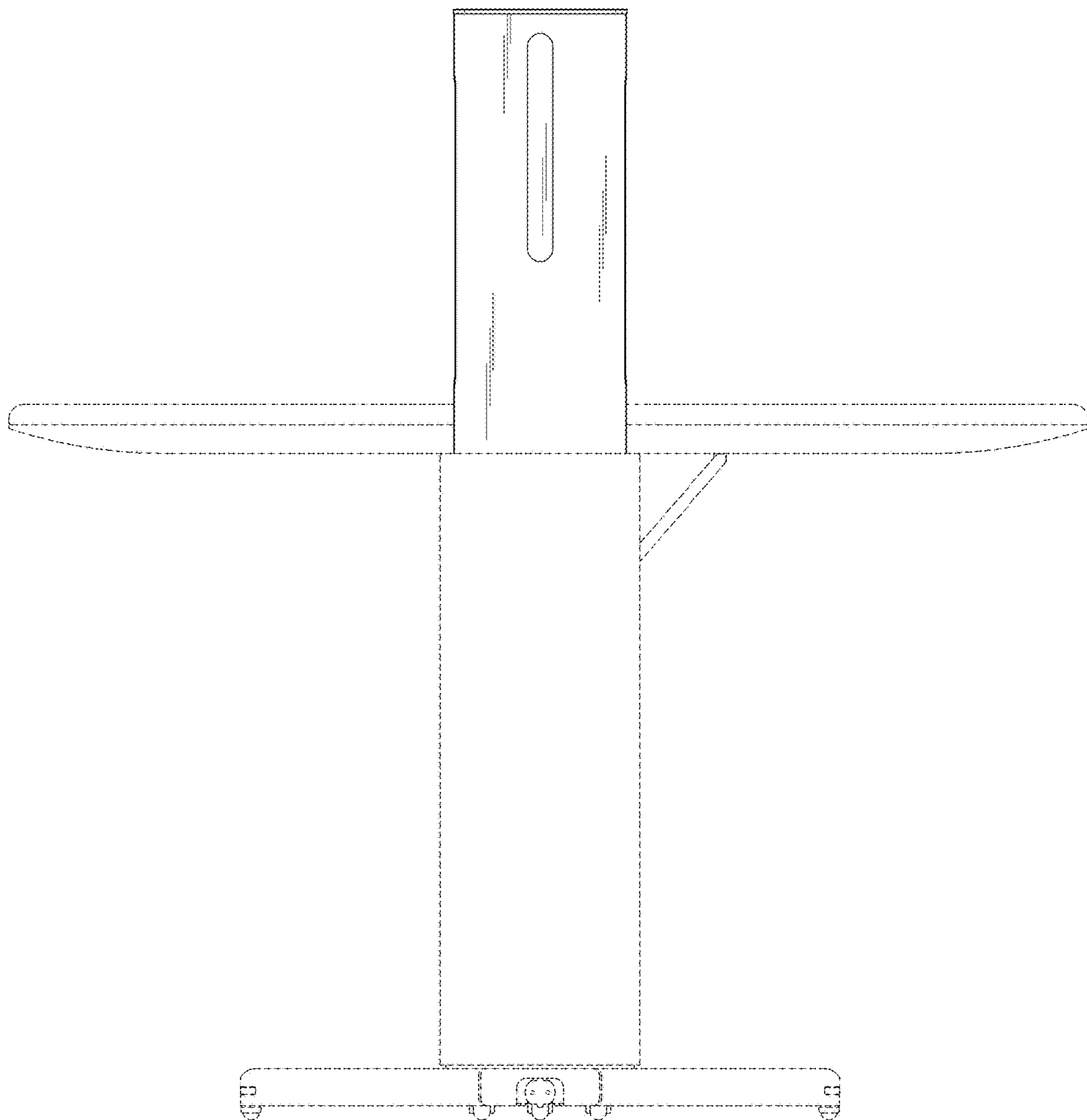


FIG. 4

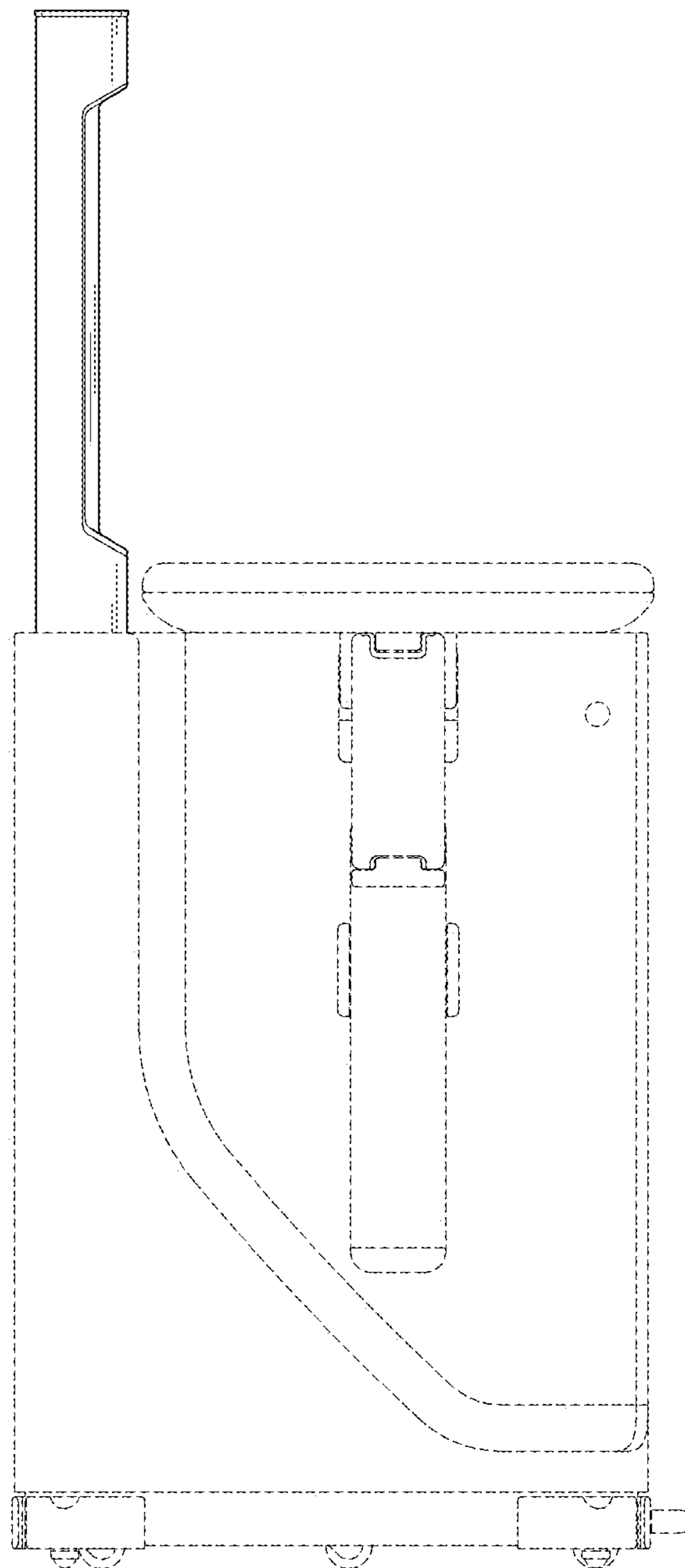


FIG. 5

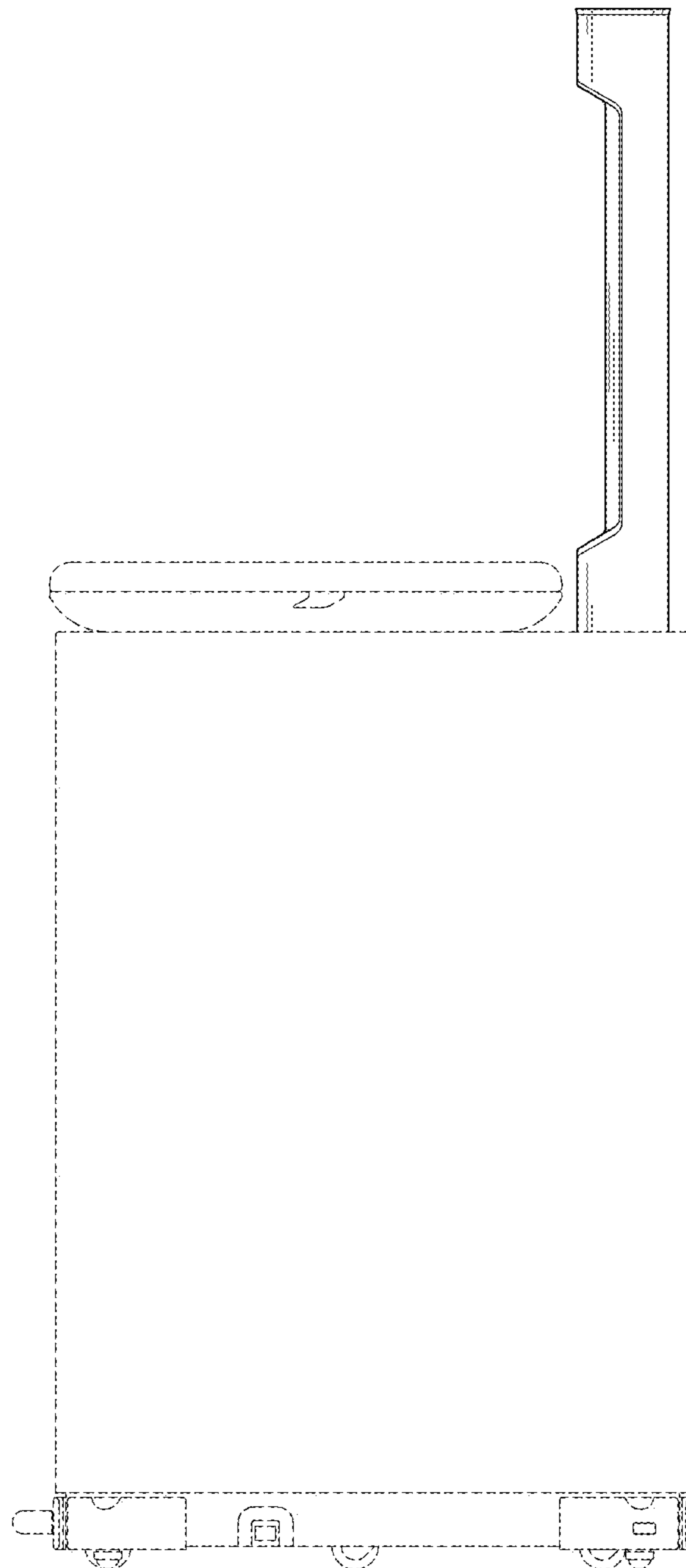


FIG. 6

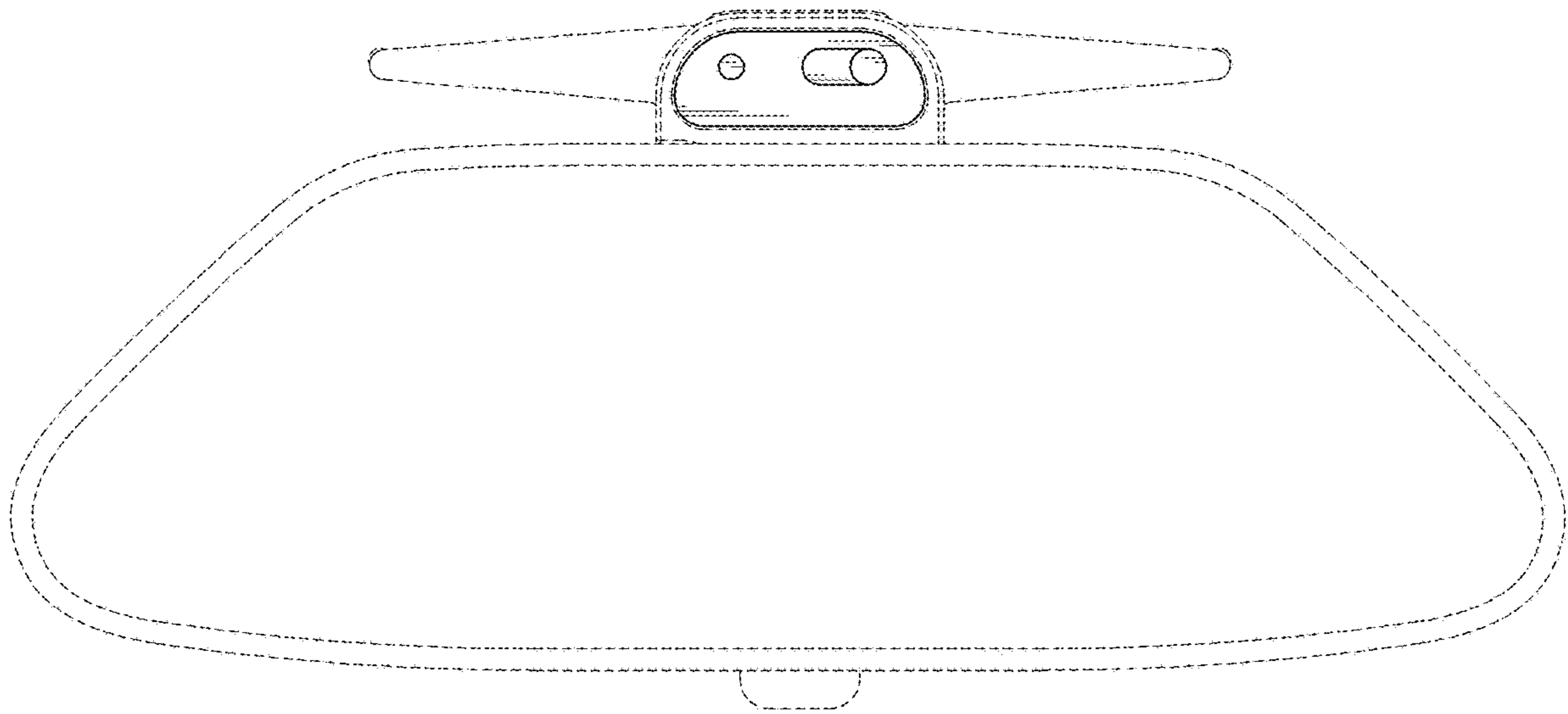


FIG. 7

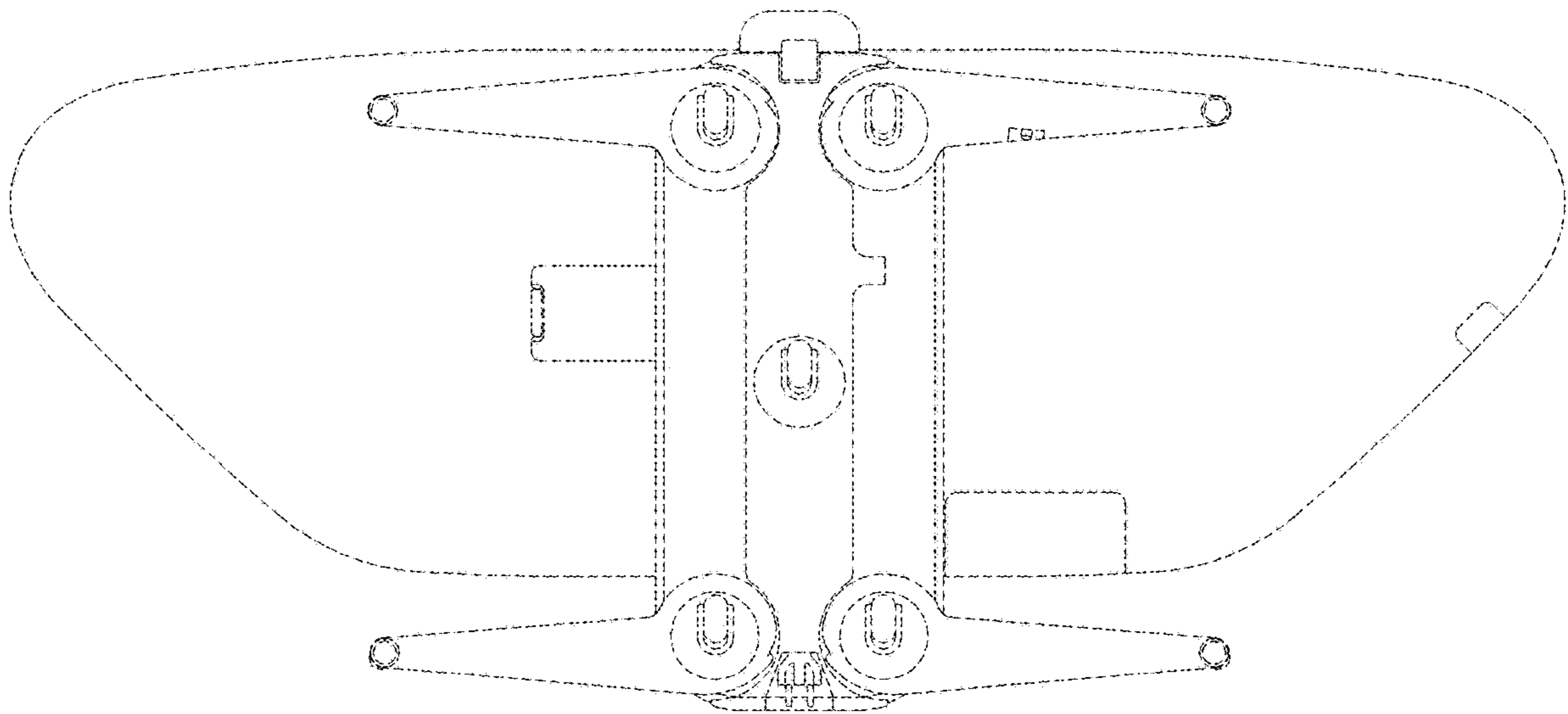


FIG. 8

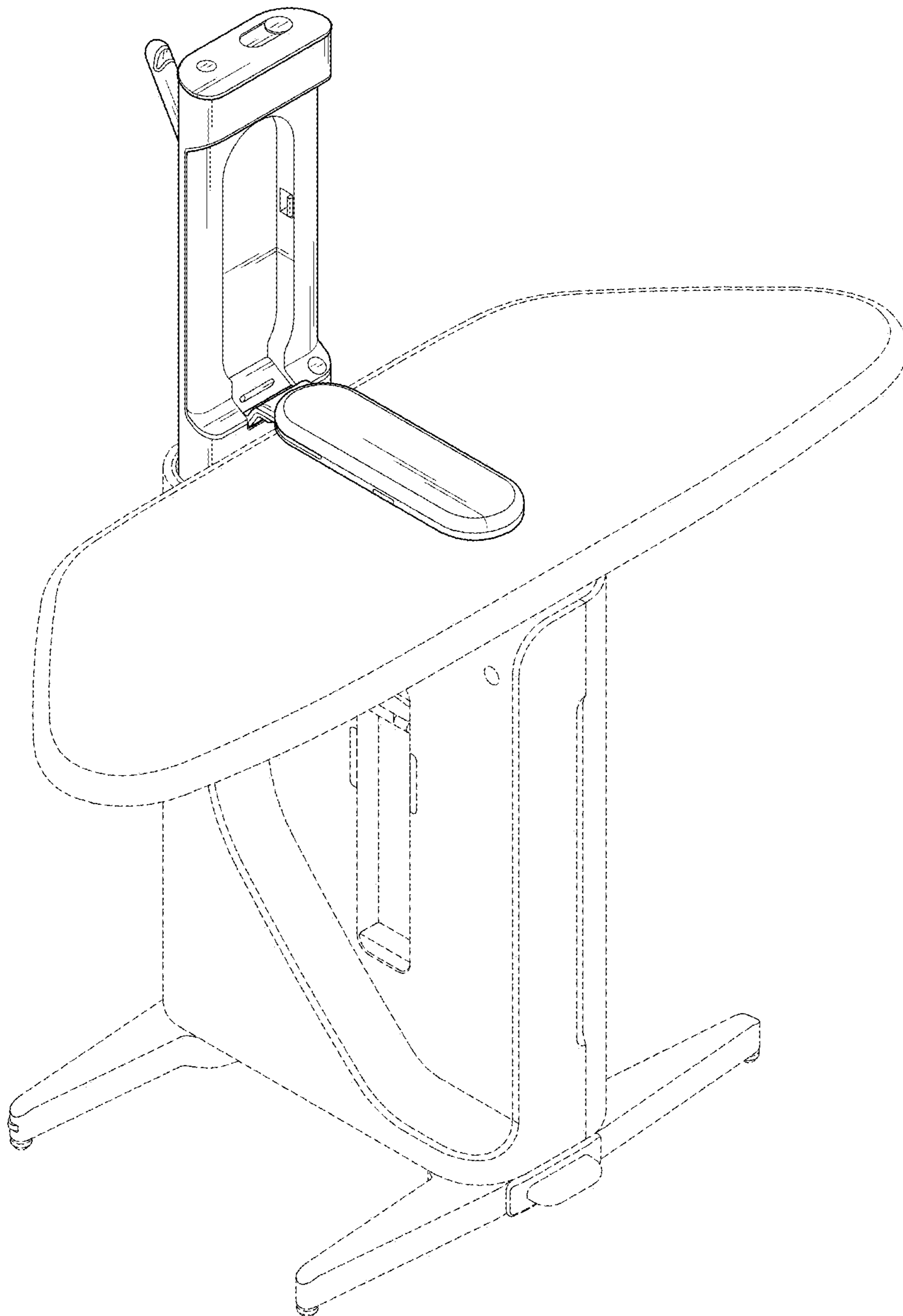


FIG. 9

