



US00D951574S

(12) **United States Design Patent** (10) **Patent No.:** **US D951,574 S**
Driscoll et al. (45) **Date of Patent:** **** May 10, 2022**

- (54) **DRYING RACK PEG**
- (71) Applicant: **Heathrow Scientific LLC**, Vernon Hills, IL (US)
- (72) Inventors: **Timothy G. Driscoll**, Burlington, WI (US); **Brian Paul Schneider**, Crystal Lake, IL (US); **Gary Dean Kamees**, Gurnee, IL (US)
- (73) Assignee: **Heathrow Scientific LLC**, Vernon Hills, IL (US)
- (**) Term: **15 Years**
- (21) Appl. No.: **29/770,112**
- (22) Filed: **Feb. 9, 2021**

Related U.S. Application Data

- (63) Continuation-in-part of application No. 29/713,121, filed on Nov. 13, 2019.
- (51) **LOC (13) Cl.** **07-05**
- (52) **U.S. Cl.**
USPC **D32/58**
- (58) **Field of Classification Search**
USPC D32/55, 276, 3, 58; D6/510, 525; 211/41.5, 41.4, 41.3, 41.8, 195, 200; 361/679.4; 312/311, 333, 334.4; D7/354, 629, 368
CPC .. F26B 25/18; F26B 9/003; A61L 9/20; A47F 3/08; A47B 43/00; D06F 57/12
See application file for complete search history.

References Cited

U.S. PATENT DOCUMENTS

- D347,094 S * 5/1994 Christensen, Jr. D32/58
- D412,231 S * 7/1999 Williams D32/58
- D412,381 S * 7/1999 Peet D32/58
- D418,646 S 1/2000 Hampshire
- D594,263 S 6/2009 Robbins, III

- D625,482 S 10/2010 Yang et al.
- D639,517 S 6/2011 Furtner
- D641,528 S * 7/2011 Wai D32/58
- 8,015,727 B2 9/2011 Lee
- D665,549 S * 8/2012 Kropf D32/58
- D670,058 S 10/2012 Cooper
- D682,499 S * 5/2013 Williams D32/58
- D683,096 S * 5/2013 Stumpo D32/58
- D691,775 S * 10/2013 Williams D32/58
- D707,004 S 6/2014 Levy et al.
- D707,005 S 6/2014 Levy et al.

(Continued)

OTHER PUBLICATIONS

VWR, part of Avantor, "VWR Drying Rack," <<https://us.vwr.com/store/product/4615089/vwr-drying-rack>> webpage publicly available as early as Nov. 12, 2019.

(Continued)

Primary Examiner — Austin Murphy

(74) *Attorney, Agent, or Firm* — Michael Best & Friedrich LLP

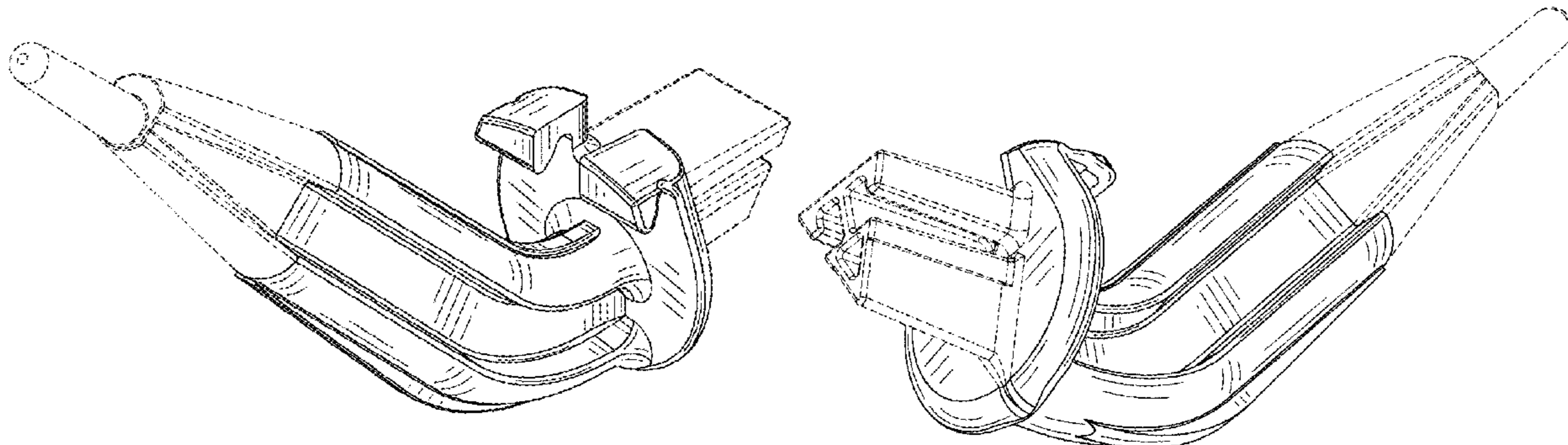
(57) **CLAIM**

The ornamental design for a drying rack peg, as shown and described.

DESCRIPTION

FIG. 1 is a front perspective view of a drying rack peg showing our new design; FIG. 2 is a rear perspective view thereof; FIG. 3 is a front elevational view thereof; FIG. 4 is a rear elevational view thereof; FIG. 5 is a left side elevational view thereof; FIG. 6 is a right side elevational view thereof; FIG. 7 is a top plan view thereof; and, FIG. 8 is a bottom plan view thereof. The broken lines illustrate unclaimed portions of the drying rack peg and form no part of the claimed design.

1 Claim, 6 Drawing Sheets



(56)

References Cited

U.S. PATENT DOCUMENTS

D732,256 S	6/2015	Huang	
D741,037 S	* 10/2015	Mustari	D32/58
D751,784 S	3/2016	Robbins, III	
D770,715 S	11/2016	Cooper	
D781,018 S	3/2017	Evans et al.	
D781,518 S	3/2017	Green	
D822,930 S	7/2018	Green	
D830,657 S	10/2018	Green	
D847,310 S	4/2019	Song et al.	
D869,106 S	* 12/2019	Schmidt	D32/8
D882,198 S	4/2020	Benishai	
D891,018 S	7/2020	Vans	
D897,063 S	9/2020	Green et al.	
D897,621 S	9/2020	Klug	
D904,709 S	12/2020	Gee, II et al.	
D904,710 S	12/2020	Gee, II et al.	
D906,616 S	* 12/2020	Li	D32/58
D922,716 S	6/2021	Zhou	
D923,275 S	6/2021	Driscoll et al.	
2008/0179264 A1	7/2008	Abrams	

OTHER PUBLICATIONS

Fisher Scientific, “Fisherbrand High Impact Polystyrene,” <<https://www.fishersci.com/shop/products/fisherbrand-high-impact-polystyrene-hips-drying-rack-no-holes-72-size-43-1w-x-60-9cm-h/0571840>> webpage publicly available as early as Nov. 12, 2019.

Bel-Art—H-B Instrument, “Lab-Aire II Non-Electric Benchtop Glassware Dryers,” <<https://www.belart.com/lab-aire-ii-non-electric-benchtop-dryers.html>> webpage publicly available as early as Nov. 12, 2019.

Kartell Labware, “Draining Rack,” <<https://www.kartelllabware.com/en/products/plastilab/clamps-and-supports/draining-rack/>> webpage publicly available as early as Nov. 12, 2019.

Cole-Parmer, “Cole-Parmer Drying Rack,” <<https://www.coleparmer.com/p/cole-parmer-drying-rack/53572>> webpage publicly available as early as Nov. 12, 2019.

Cole-Parmer, “Cole-Parmer PP Wall Mount Drying Rack with Pegs, 20 Place,” <https://www.coleparmer.com/i/cole-parmer-pp-wall-mount-drying-rack-with-peg-20-place/0604591?PubID=UX&persist=true&ip=no&gclid=EA1alQobChM1v_HZgejX4AIVzUoNCh0U3wxEAQYASABEglnVvD_BwE> webpage publicly available as early as Nov. 12, 2019.

Globe Scientific, Inc., “Drying Rack,” <<https://www.globescientific.com/drying-rack.html?psku=RWK070FS&cid=0>> webpage publicly available as early as Nov. 12, 2019.

Zoro, “Dynalon, Lab Rack Dry 24x17 PS/16mm Tubes,” <<https://www.zoro.com/dynalon-lab-rack-dry-24x17-ps16mm-tubes-259184/i/G3980444/>> webpage publicly available as early as Nov. 12, 2019.

Durcon, A Wilsonart Company, “Pegboards & Drip Trays,” <<https://www.durcon.com/pegboardsdriptrays>> webpage publicly available as early as Nov. 12, 2019.

* cited by examiner

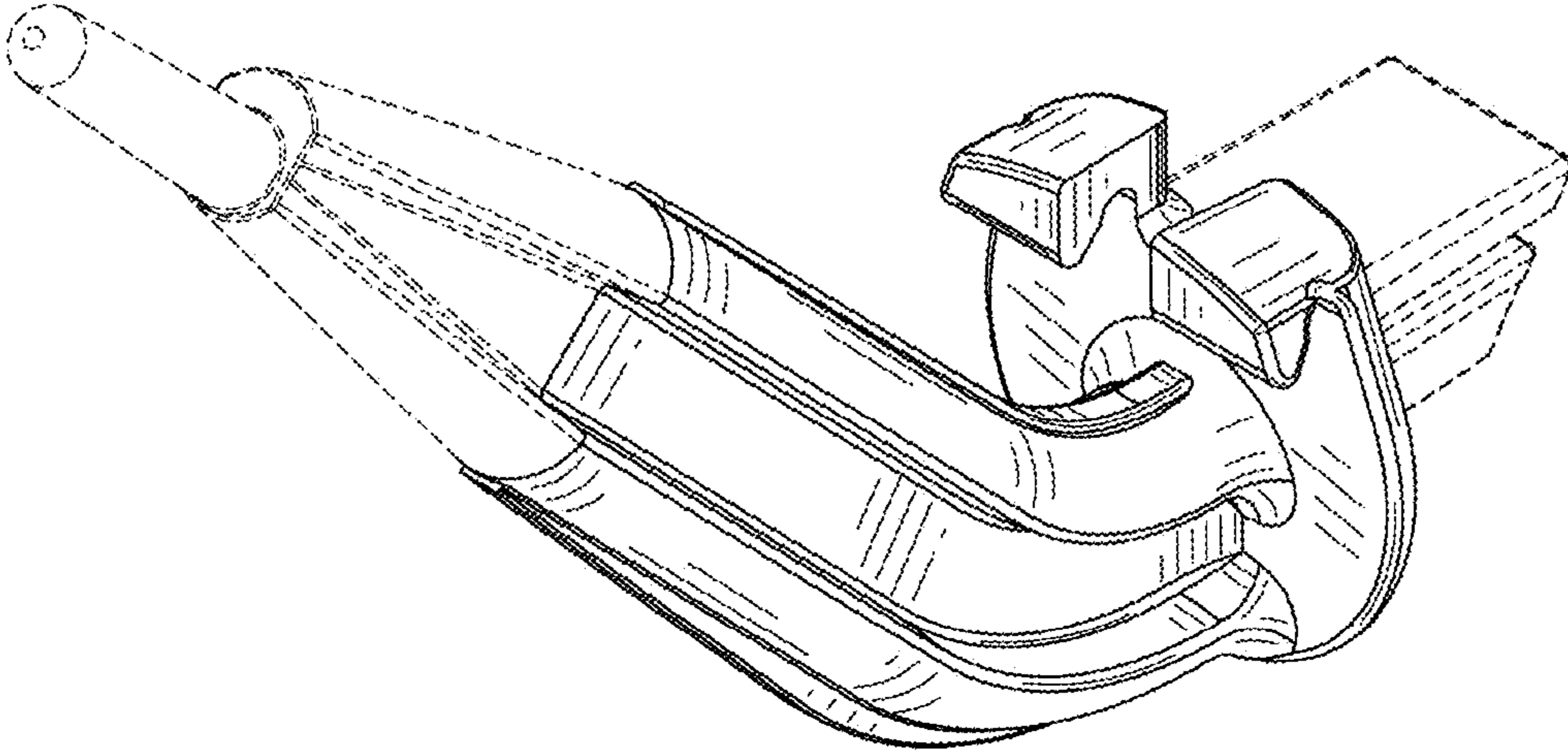


FIG. 1

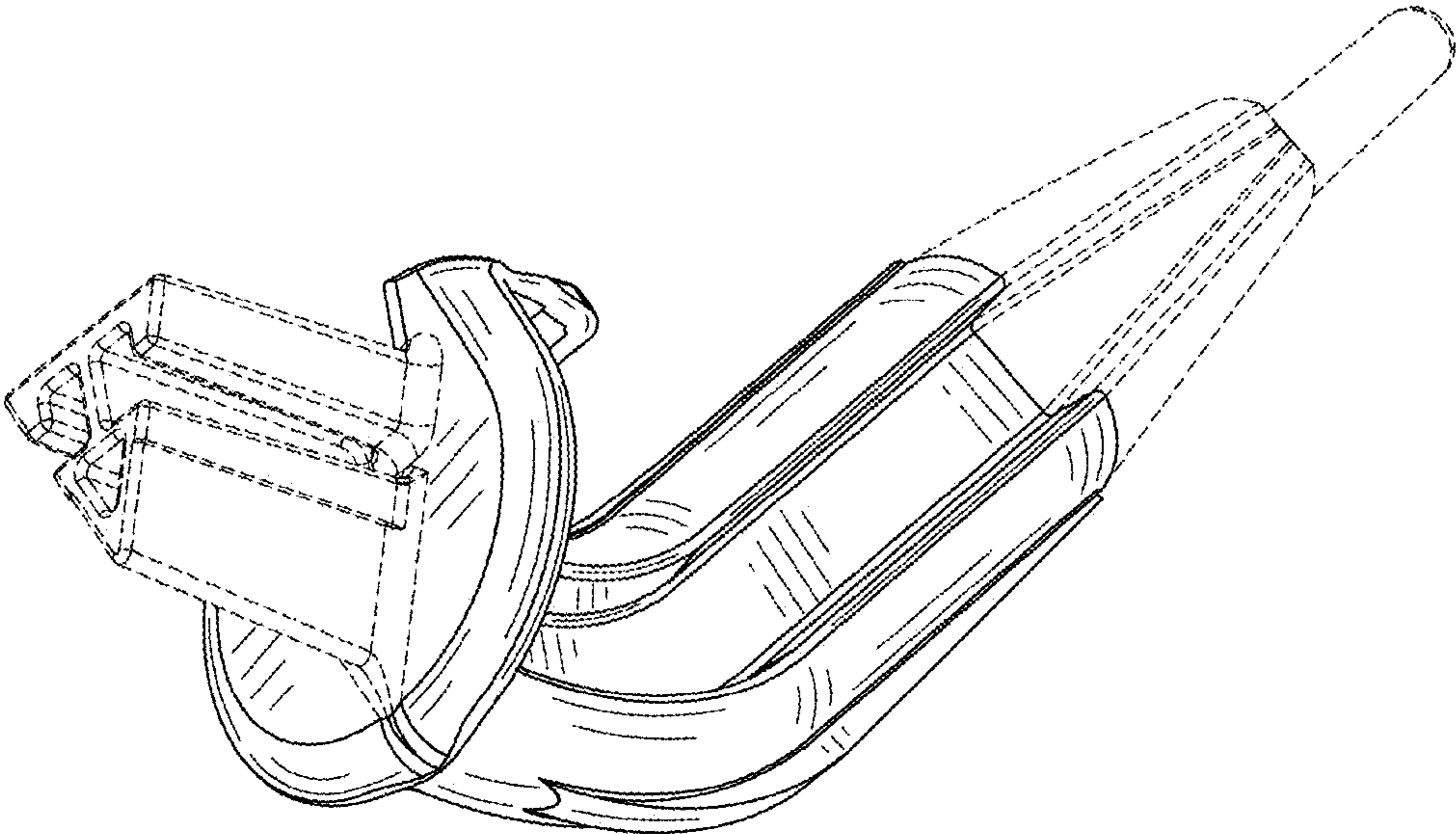


FIG. 2

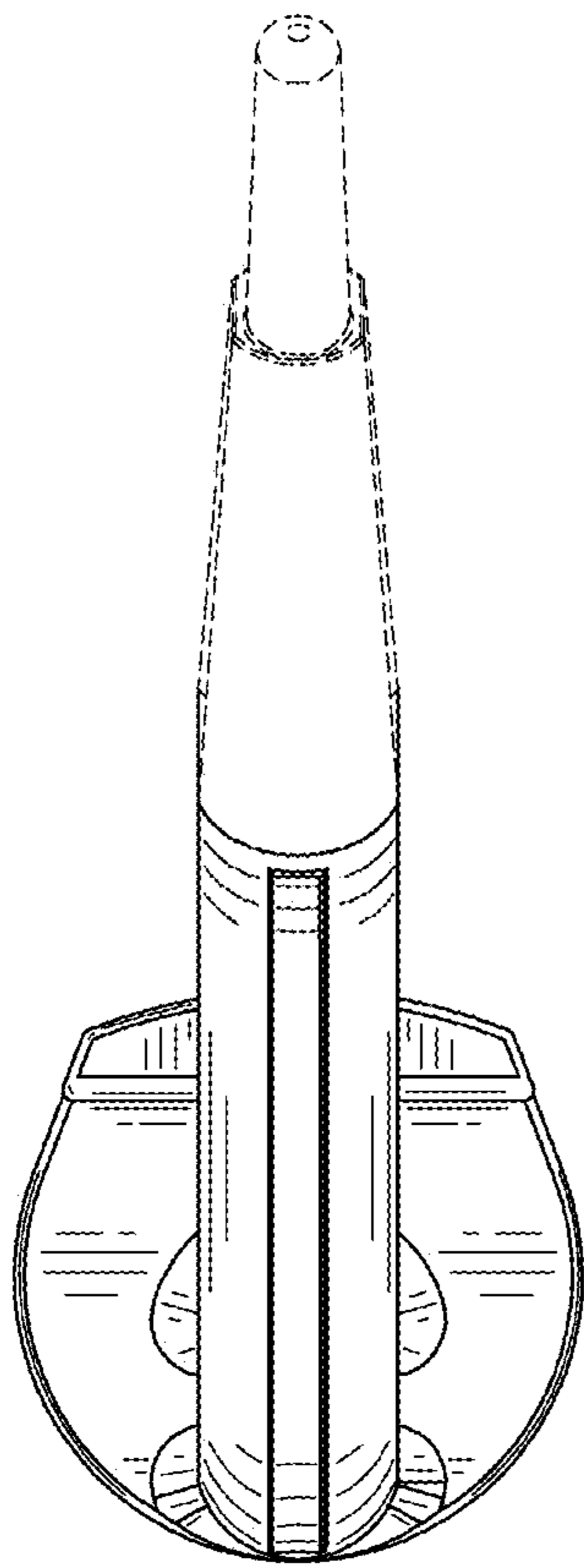


FIG. 3

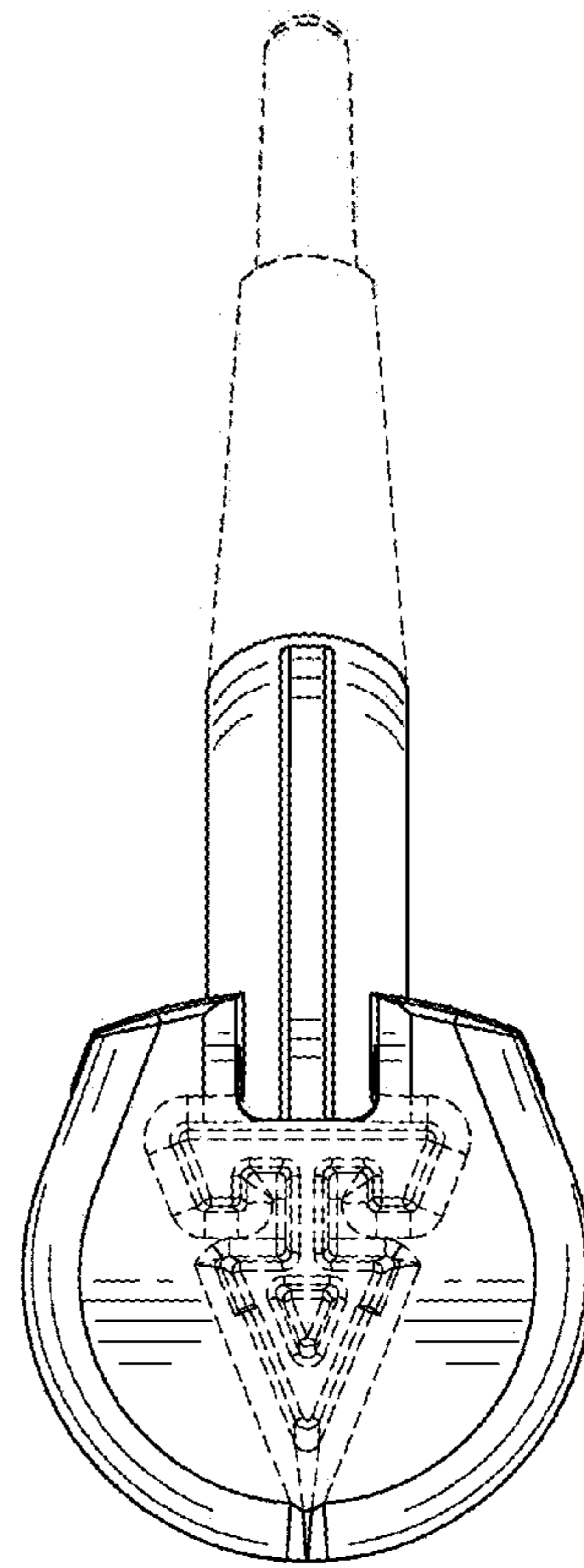


FIG. 4

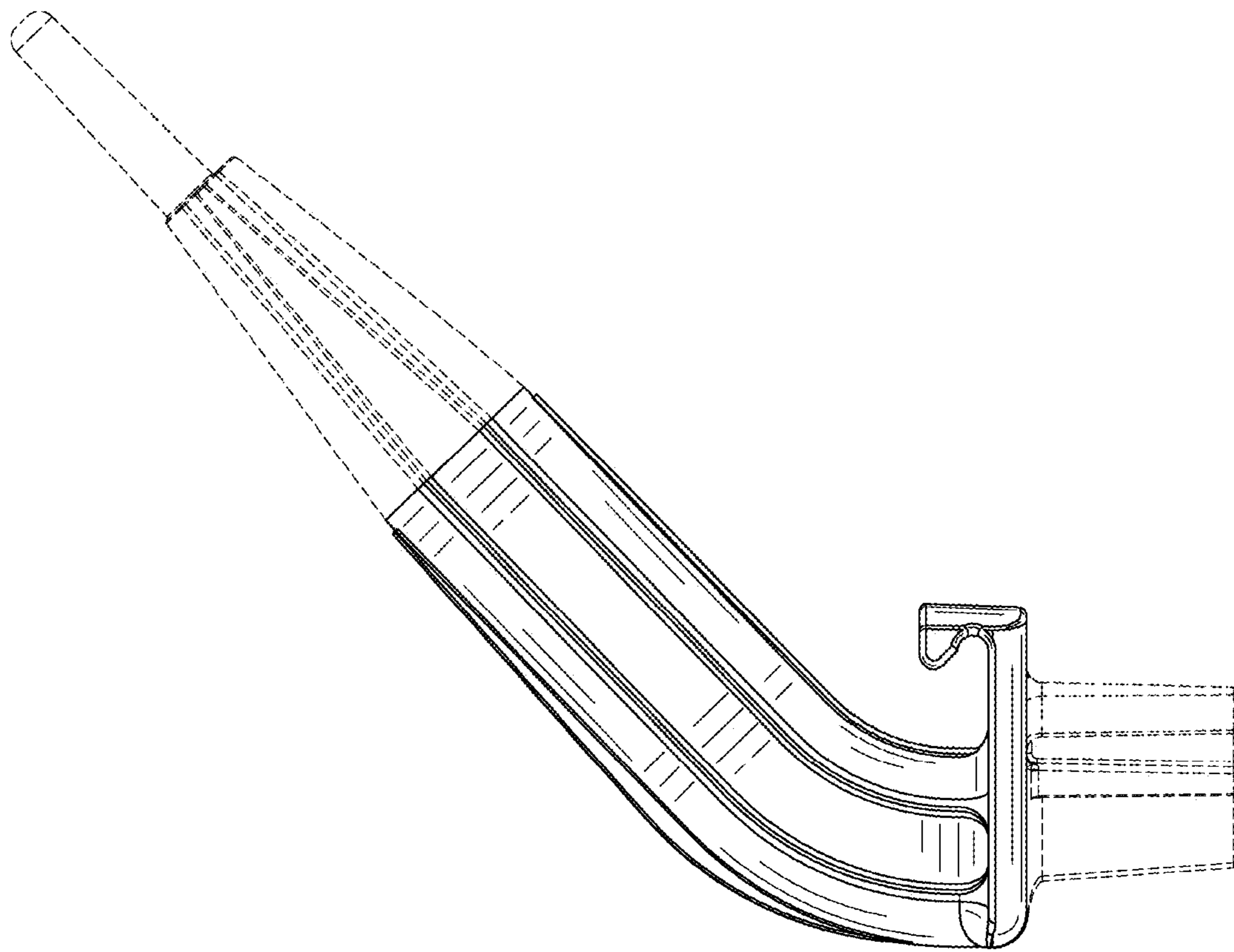


FIG. 5

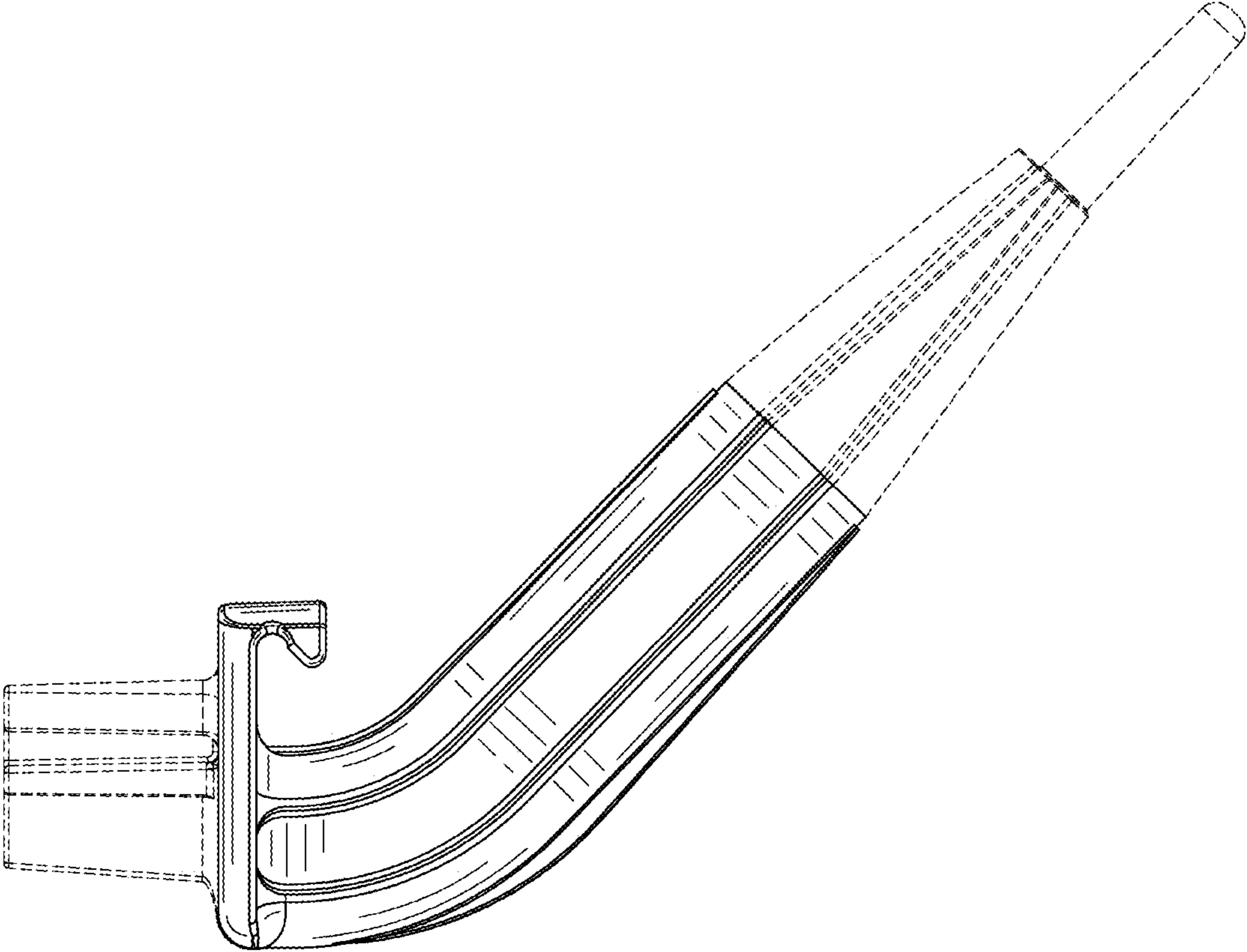


FIG. 6

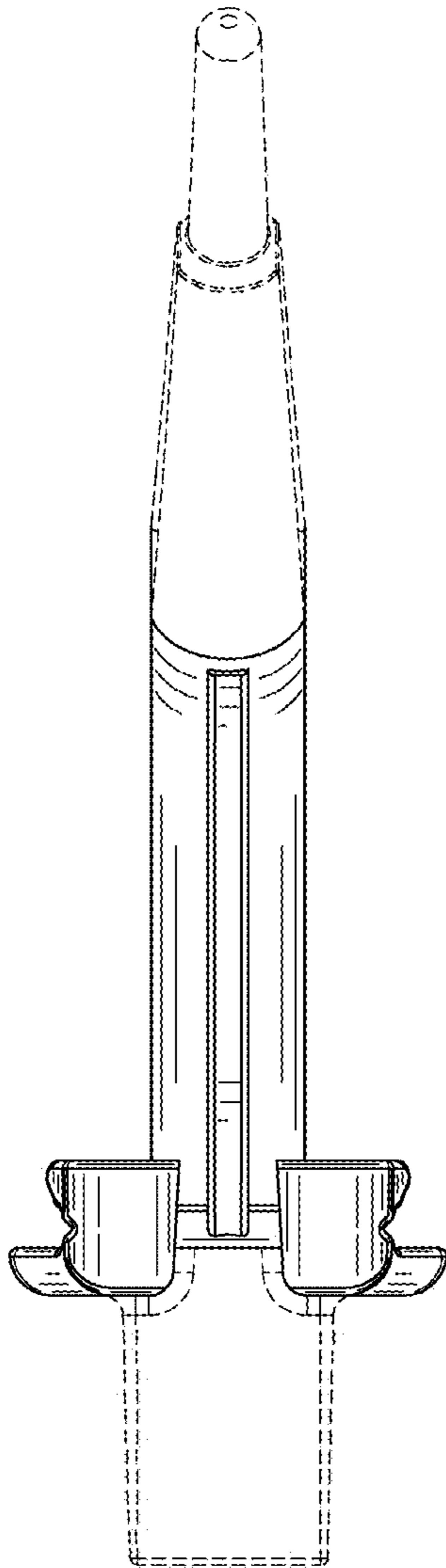


FIG. 7

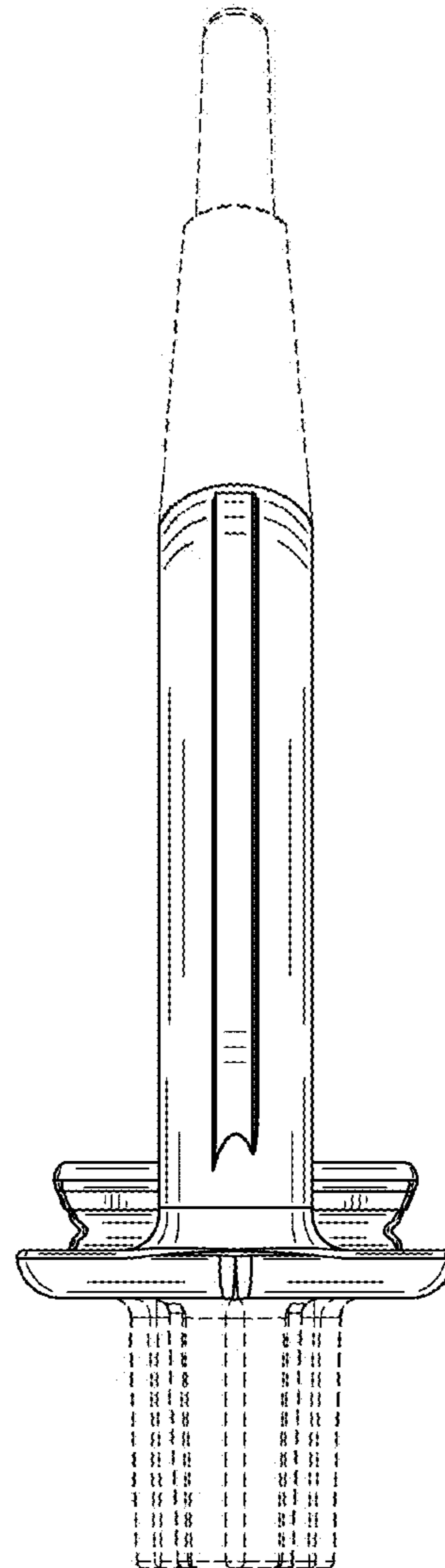


FIG. 8