



US00D951570S

(12) **United States Design Patent** (10) **Patent No.:** **US D951,570 S**
Brugora (45) **Date of Patent:** **** May 10, 2022**

(54) **MOP**
(71) Applicant: **Carl Freudenberg KG**, Weinheim (DE)
(72) Inventor: **Alessandro Brugora**, Cernusco sul Naviglio (IT)
(73) Assignee: **CARL FREUDENBERG KG**, Weinheim (DE)

D694,484 S * 11/2013 Angel D32/51
D704,910 S * 5/2014 Hughes D32/40
D743,134 S * 11/2015 Patterson D32/50
D766,528 S * 9/2016 Choi D32/50
(Continued)

(**) Term: **15 Years**
(21) Appl. No.: **29/760,676**
(22) Filed: **Dec. 3, 2020**

FOREIGN PATENT DOCUMENTS

EM 000876073-0007 * 3/2008
EM 007698865-0001 * 2/2020

(30) **Foreign Application Priority Data**

Jun. 5, 2020 (EM) 007986773

(51) **LOC (13) Cl.** **07-05**
(52) **U.S. Cl.**
USPC **D32/50**
(58) **Field of Classification Search**
USPC D21/526; D32/17-18, 21-22, 45, 50-52
CPC A61B 6/501; A63H 33/305
See application file for complete search history.

OTHER PUBLICATIONS

Berkshire website 2022, BCR Mop 3, site visited Feb. 12, 2022, [https://berkshire.com/shop/cleanroom-mops/flat-mops/bcr-mop-3/bcr-mop3-1/?...*](https://berkshire.com/shop/cleanroom-mops/flat-mops/bcr-mop-3/bcr-mop3-1/?...)

(Continued)

Primary Examiner — John R Yeh
(74) *Attorney, Agent, or Firm* — Leydig, Voit & Mayer, Ltd.

(56) **References Cited**

U.S. PATENT DOCUMENTS

D284,897 S * 7/1986 Rubio D32/51
D287,173 S * 12/1986 Libman D32/45
D515,759 S * 2/2006 Fischer D32/45
7,237,295 B2 * 7/2007 Lindholm A47L 13/258
15/228
D566,916 S * 4/2008 Nobile D32/40
D591,019 S * 4/2009 Perry Zang Wentz Pho
D32/49
D613,013 S * 3/2010 Renner D32/51
D654,238 S * 2/2012 Lee D32/50
D672,107 S * 12/2012 Van Lanningham, Jr. D32/50
D673,748 S * 1/2013 Snyder D32/45
D681,899 S * 5/2013 Bilger D32/32

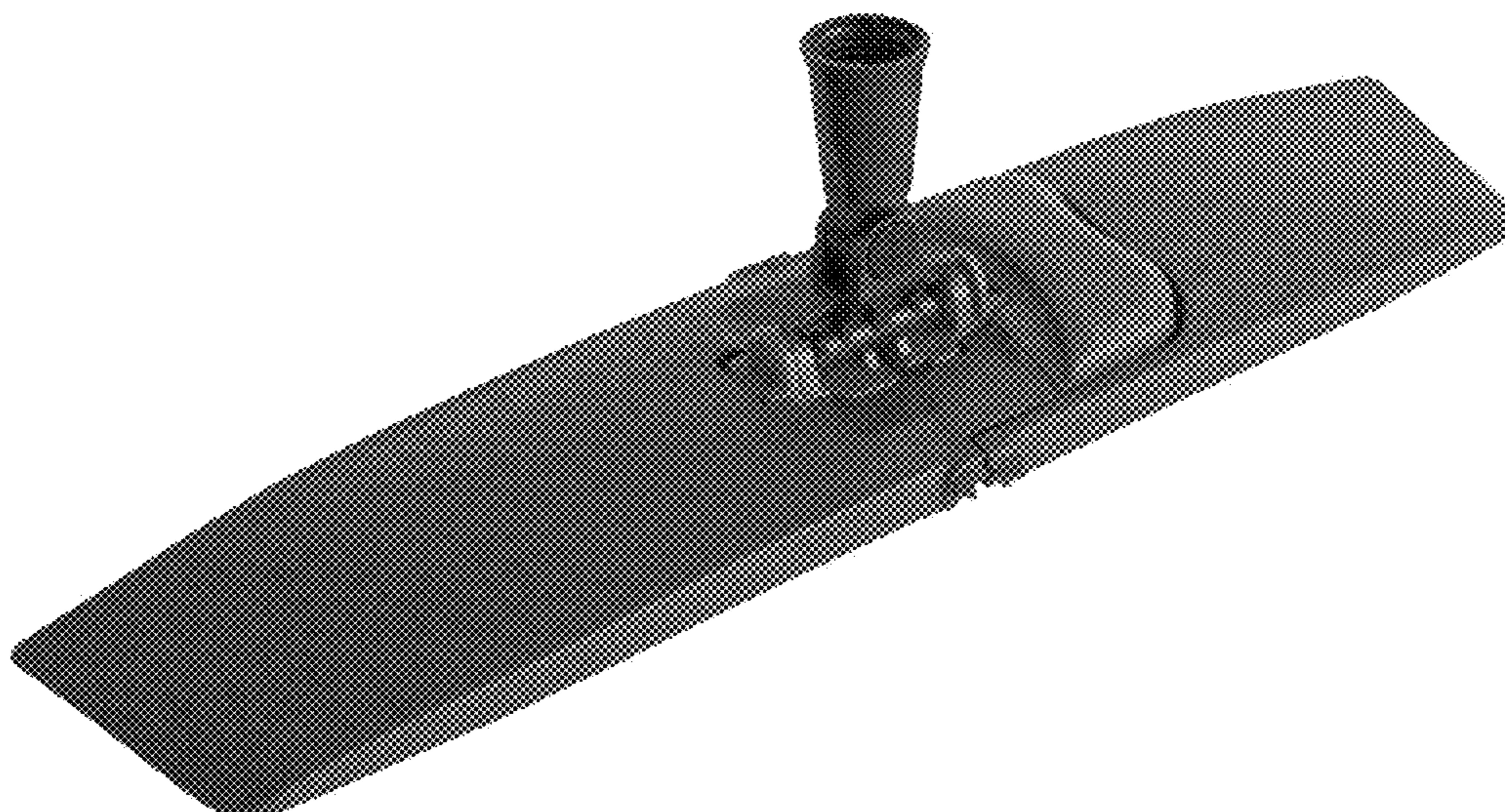
(57) **CLAIM**

The ornamental design for a mop, as shown and described.

DESCRIPTION

FIG. 1 is a front perspective view of a mop showing a first embodiment of my new design;
FIG. 2 is a back view thereof;
FIG. 3 is a left view thereof;
FIG. 4 is a right view thereof; and
FIG. 5 is a top view thereof;
FIG. 6 is a front perspective view of a mop showing a second embodiment of my new design;
FIG. 7 is a back view thereof;
FIG. 8 is a left view thereof;
FIG. 9 is a right view thereof; and,
FIG. 10 is a top view thereof.
The bottom view of my new design is not visible during normal use and forms no part of my claimed design.

1 Claim, 10 Drawing Sheets



(56)

References Cited

U.S. PATENT DOCUMENTS

D806,969 S * 1/2018 Larouche D32/33
10,433,701 B2 * 10/2019 Correll A47L 13/256
D912,357 S * 3/2021 Ross D32/50
D915,703 S * 4/2021 Harrington D32/50
D936,318 S * 11/2021 Niedzwecki D32/50
2010/0064466 A1 * 3/2010 Dingert A47L 13/258
15/228
2014/0215739 A1 * 8/2014 Lindner A47L 13/256
15/147.1
2015/0082570 A1 * 3/2015 Davidshofer A47L 13/258
15/228

OTHER PUBLICATIONS

U.S. Appl. No. 29/760,674, filed Dec. 3, 2020.

* cited by examiner

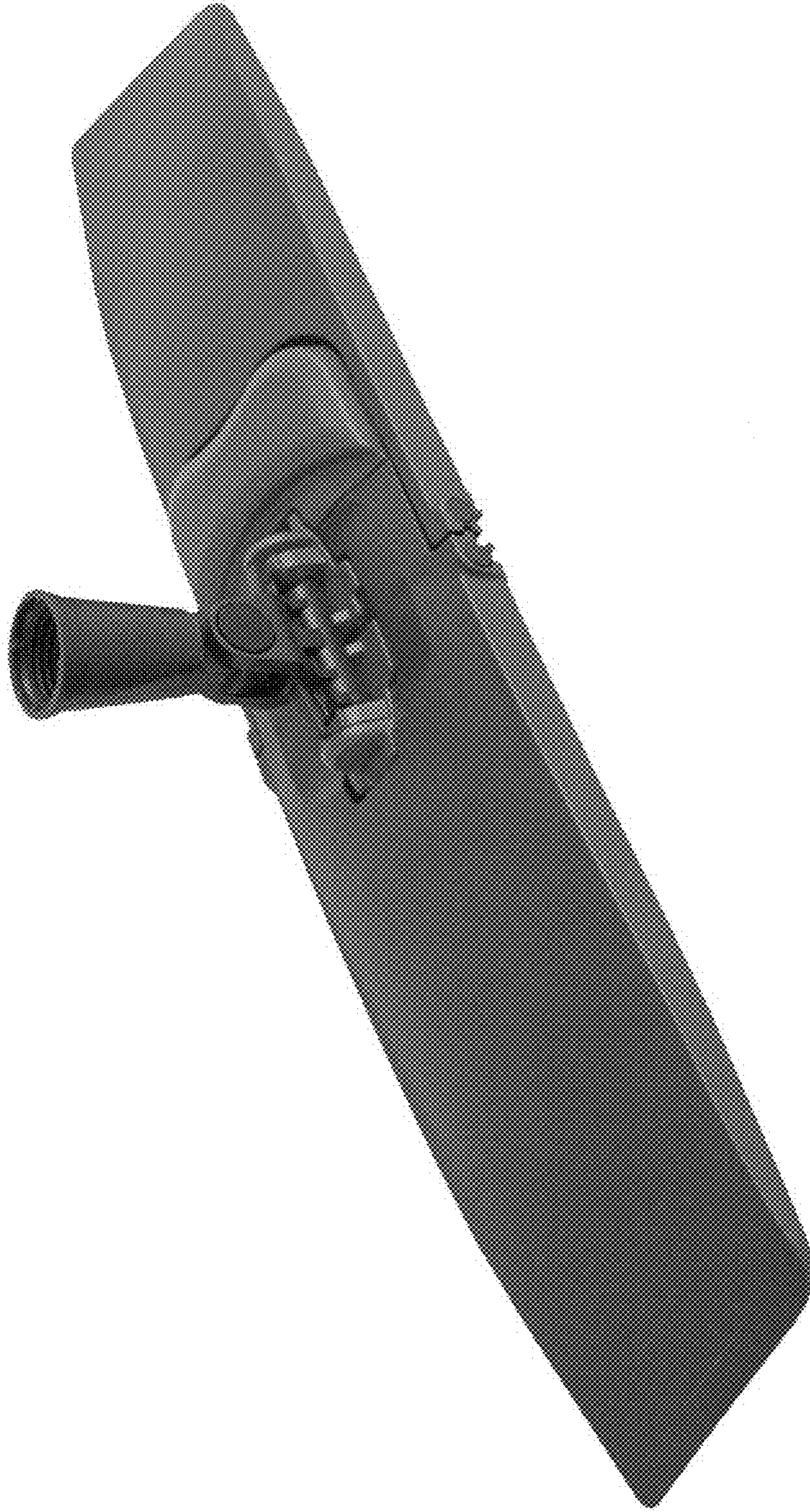


FIG. 1

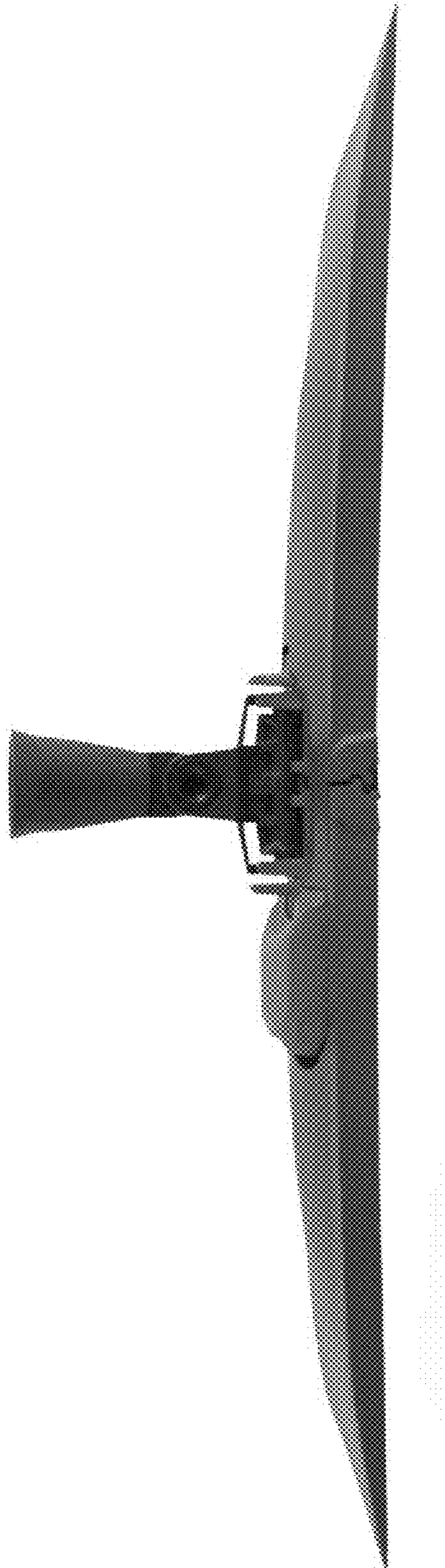


FIG. 2

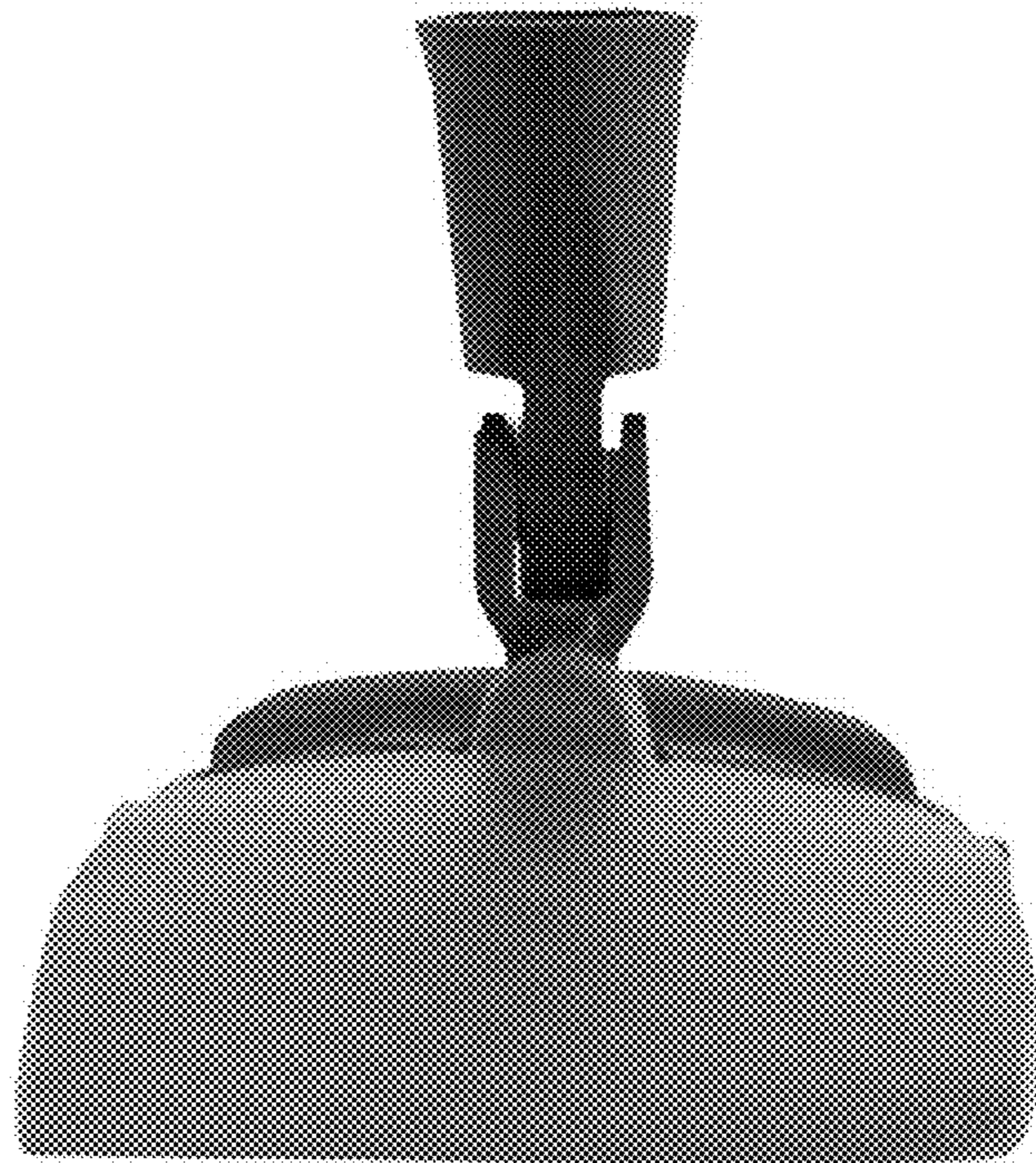


FIG. 3



FIG. 4

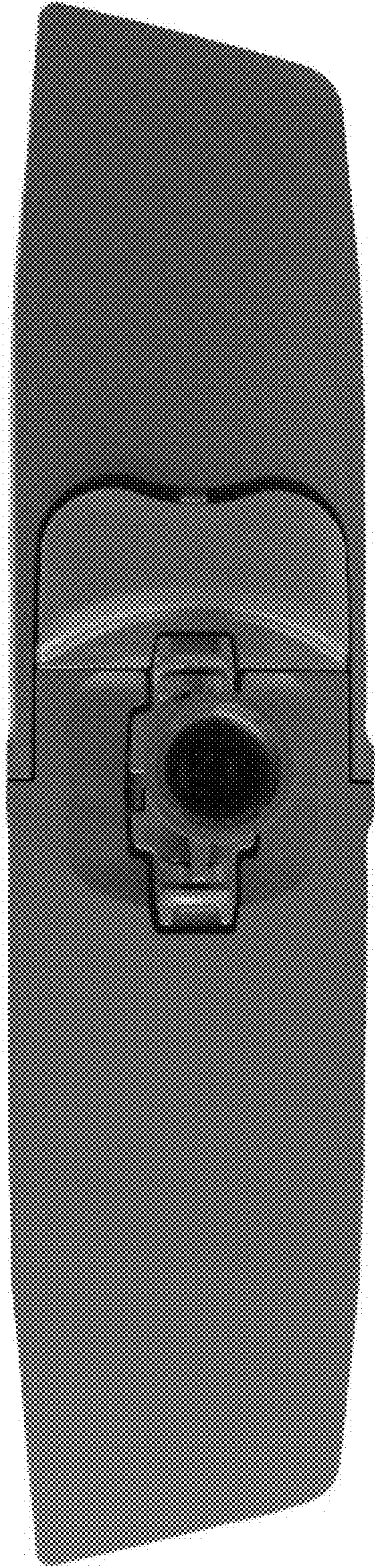


FIG. 5

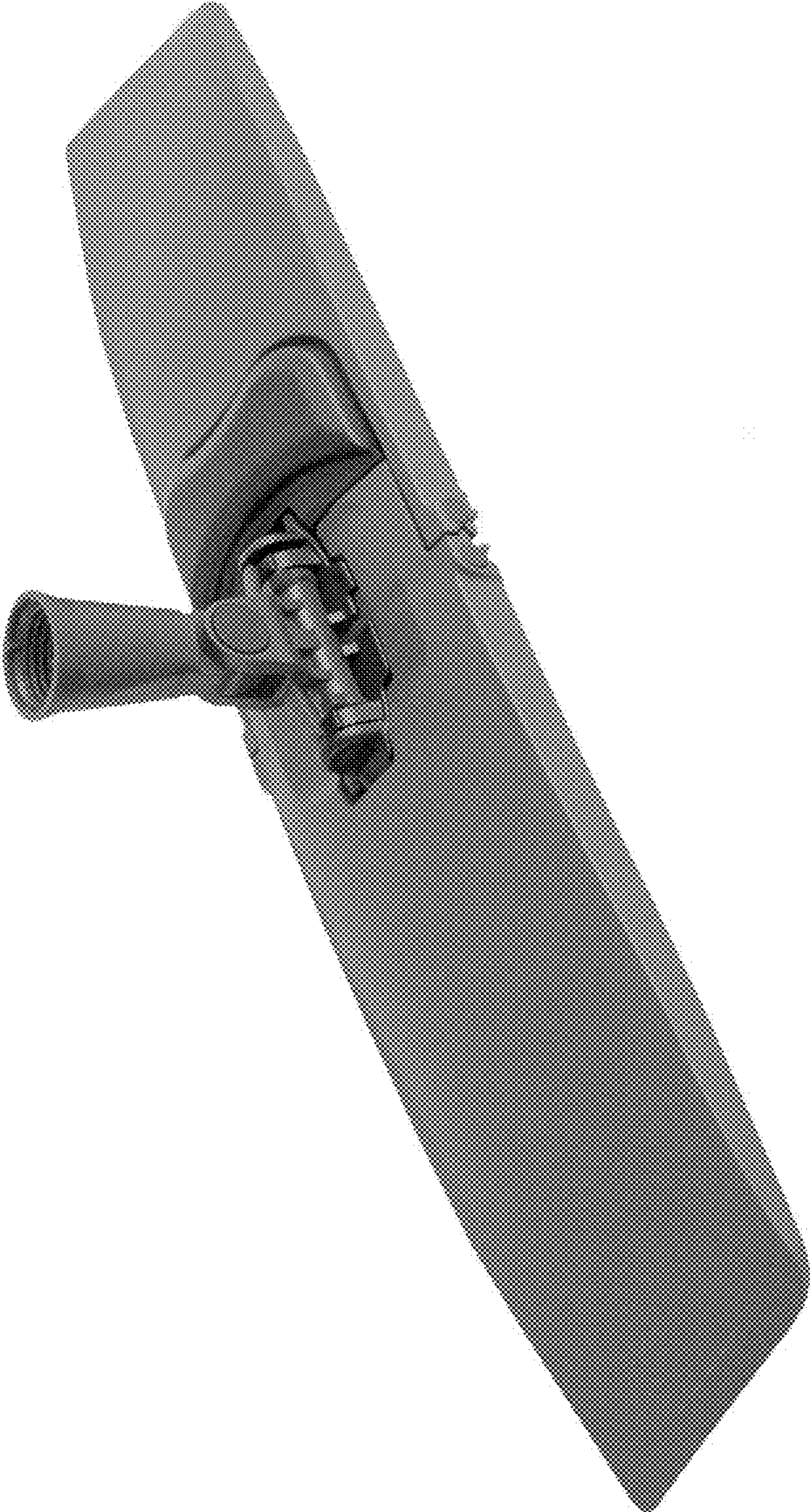


FIG. 6

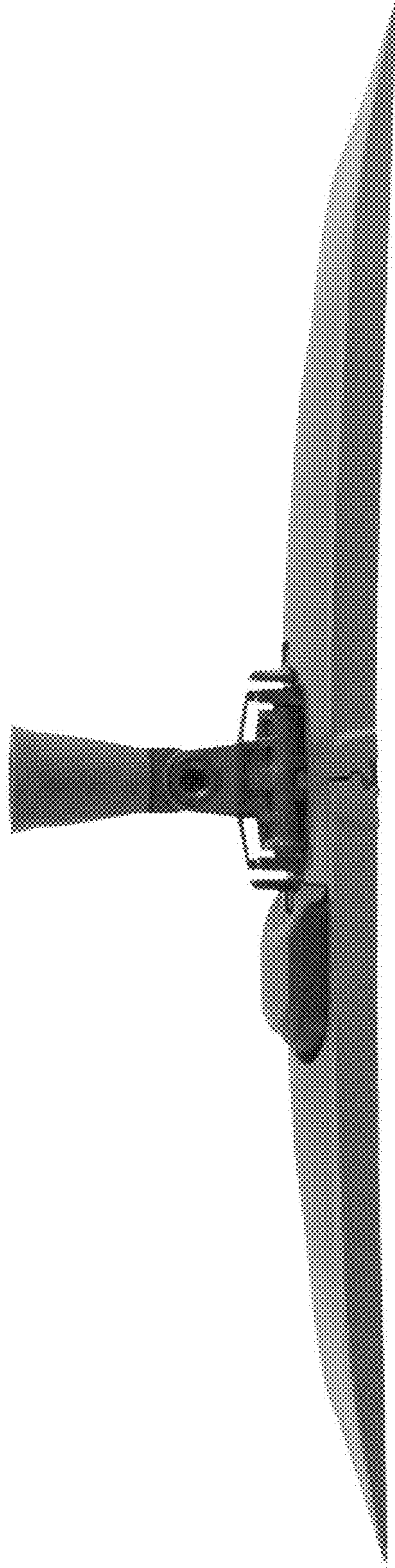


FIG. 7



FIG. 8



FIG. 9

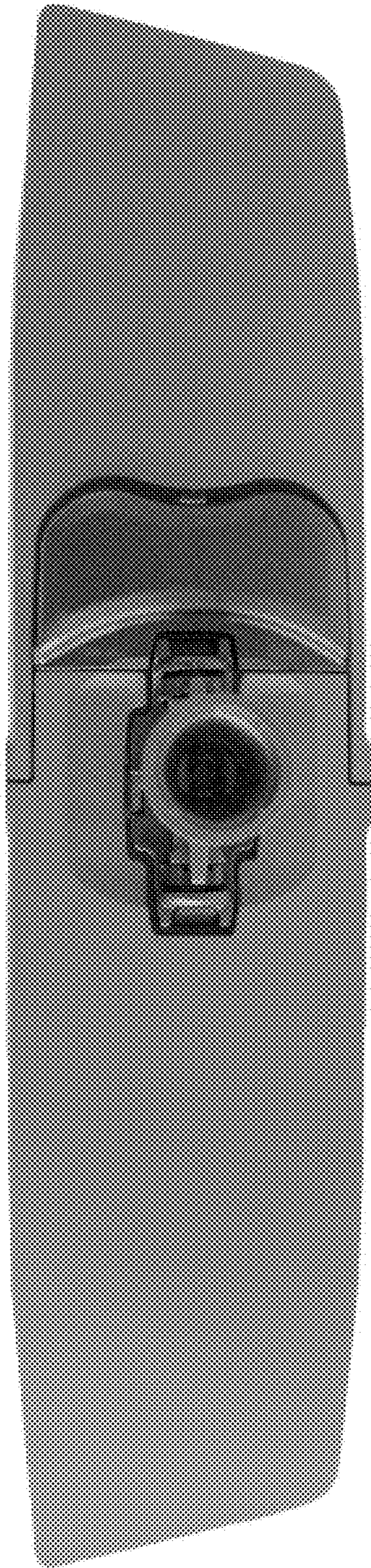


FIG. 10