



US00D951568S

(12) **United States Design Patent** (10) **Patent No.:** **US D951,568 S**
Abe (45) **Date of Patent:** **** May 10, 2022**

(54) **VACUUM CLEANER**

FOREIGN PATENT DOCUMENTS

(71) Applicant: **Iris Ohyama Inc.**, Sendai (JP)

CN 306217478 * 12/2020

(72) Inventor: **Takuya Abe**, Kakuda (JP)

JP 1516857 S 2/2015

(73) Assignee: **IRIS OHYAMA INC.**, Sendai (JP)

JP 1567160 S 1/2017

JP 1626614 S 3/2019

JP D1655844 * 3/2020

(**) Term: **15 Years**

OTHER PUBLICATIONS

(21) Appl. No.: **29/728,317**

IRIS USA, Inc. 596942 IC-FAC2 Mattress and Furniture Vacuum Cleaner, available in Amazon.ca, date first available Jan. 20, 2018 [online], [site visited Aug. 10, 2021], Available from the internet URL: https://www.amazon.ca/IRIS-IC-FAC2-Mattress-Furniture-Cleaner/dp/B078J9CPCQ/ref=sr_1_13?dchild=1&keywords=IRIS&qid=1628616059&sr=8-13 (Year: 2018).*

(22) Filed: **Mar. 17, 2020**

(30) **Foreign Application Priority Data**

Sep. 18, 2019 (JP) 2019-020844

* cited by examiner

(51) **LOC (13) Cl.** **15-05**

(52) **U.S. Cl.**

USPC **D32/18**; D32/21

(58) **Field of Classification Search**

USPC D32/15, 17, 18, 21, 22, 31, 32; D21/526

CPC A47L 5/24; A47L 5/26; A47L 5/30; A47L

5/34; A47L 5/36; A47L 9/04; A47L

9/102; A47L 9/106; A47L 11/30; A47L

11/302; A47L 11/4005; A47L 11/4008;

A47L 11/4044; B04C 5/185; B23Q

11/0046; B23Q 11/0071; E04H 4/1636

See application file for complete search history.

Primary Examiner — Dana K Weiland

Assistant Examiner — Jennylou M Binas

(74) *Attorney, Agent, or Firm* — Studebaker & Brackett

PC

(57) **CLAIM**

The ornamental design for a vacuum cleaner, as shown and described.

(56) **References Cited**

DESCRIPTION

U.S. PATENT DOCUMENTS

D280,033 S * 8/1985 Miyamoto D32/18

D494,719 S * 8/2004 Rosenzweig D32/31

D539,491 S * 3/2007 Kim D32/18

D547,505 S * 7/2007 Carr D32/31

D730,599 S * 5/2015 Uim D32/18

D736,487 S * 8/2015 Choi D32/18

D744,178 S * 11/2015 Choi D32/21

D804,114 S * 11/2017 Kim D32/18

D825,870 S * 8/2018 Lim D32/18

D901,109 S * 11/2020 Chen D32/18

D907,315 S * 1/2021 Tokoi D32/34

D922,010 S * 6/2021 Lin D32/18

D924,503 S * 7/2021 Xu D32/18

FIG. 1 is a front, top and right-side perspective view of a vacuum cleaner showing my new design;

FIG. 2 is a front view thereof;

FIG. 3 is a rear view thereof;

FIG. 4 is a top view thereof;

FIG. 5 is a bottom view thereof;

FIG. 6 is a right-side view thereof;

FIG. 7 is a left-side view thereof; and,

FIG. 8 is a rear, top and left-side perspective view thereof.

The broken lines shown depict portions of the vacuum cleaner that form no part of the claimed design.

1 Claim, 8 Drawing Sheets

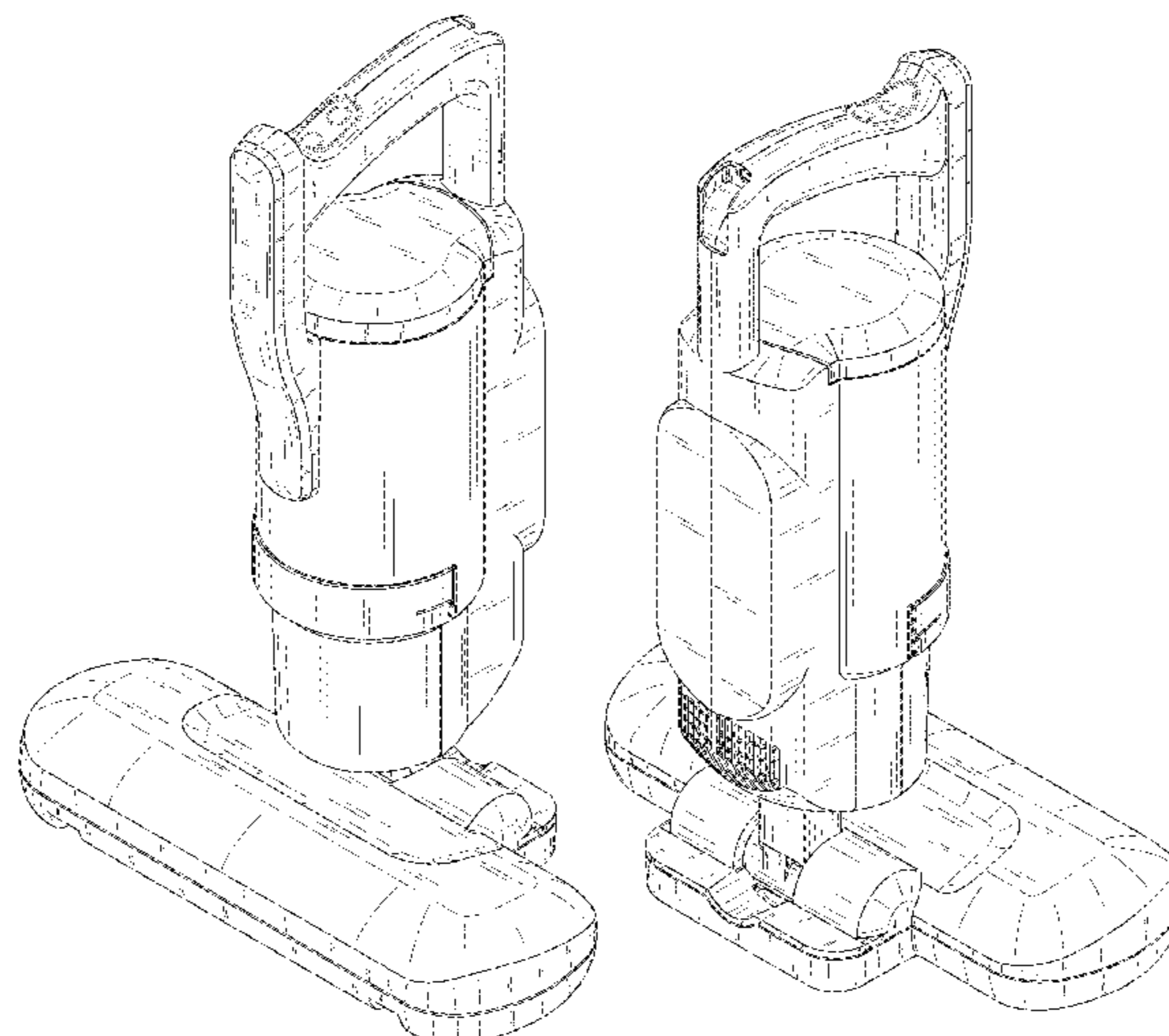


FIG. 1

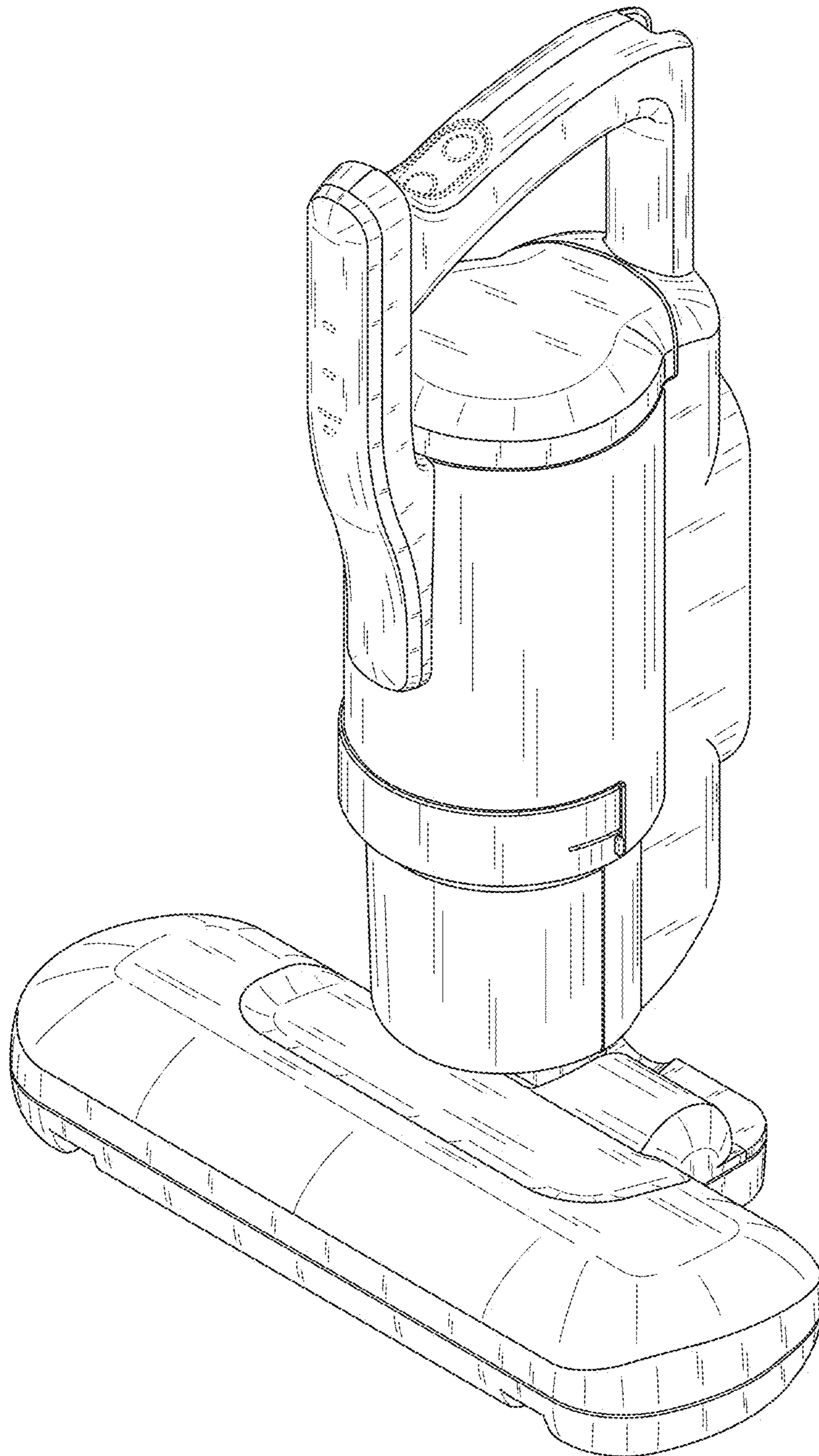


FIG.2

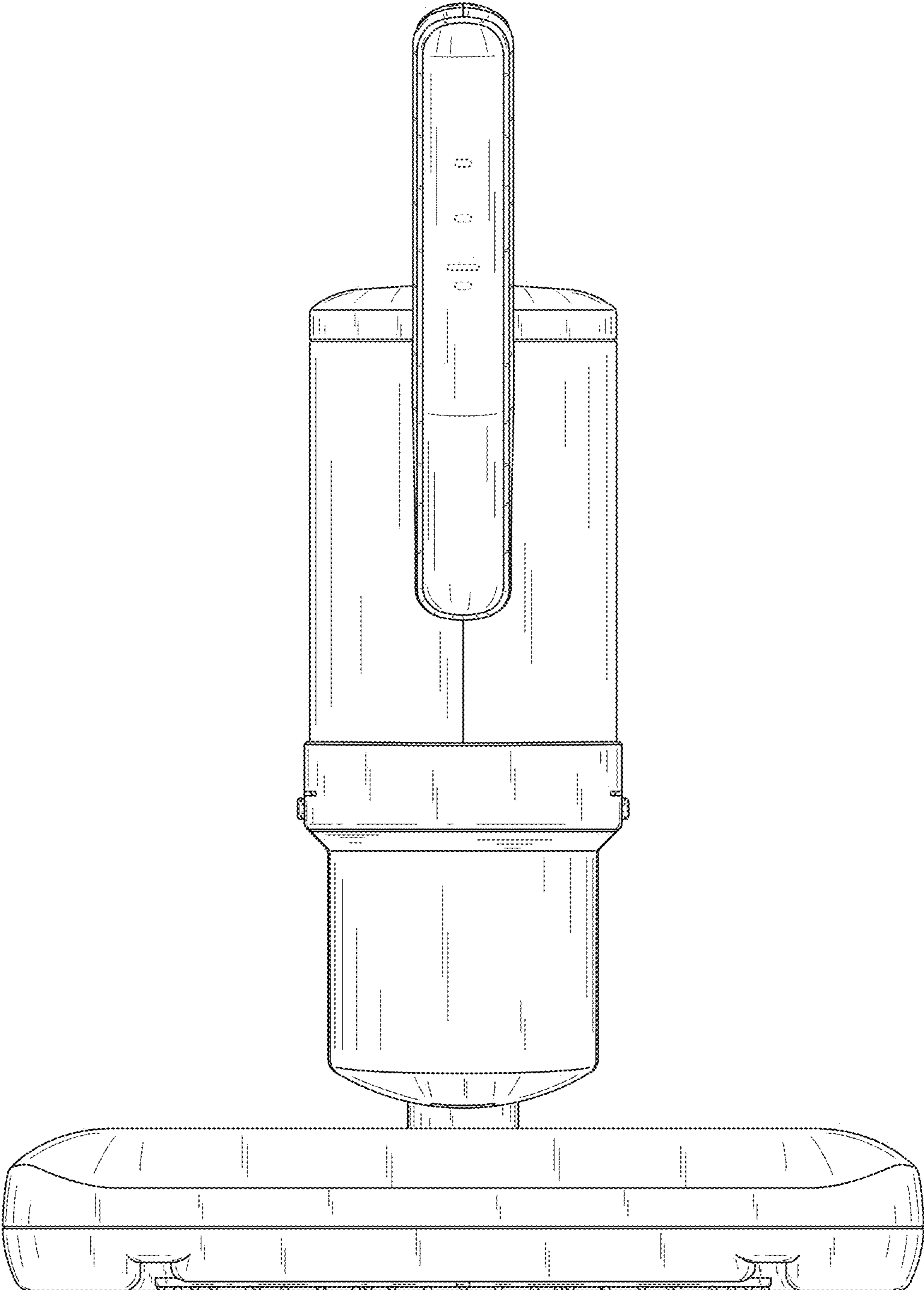


FIG.3

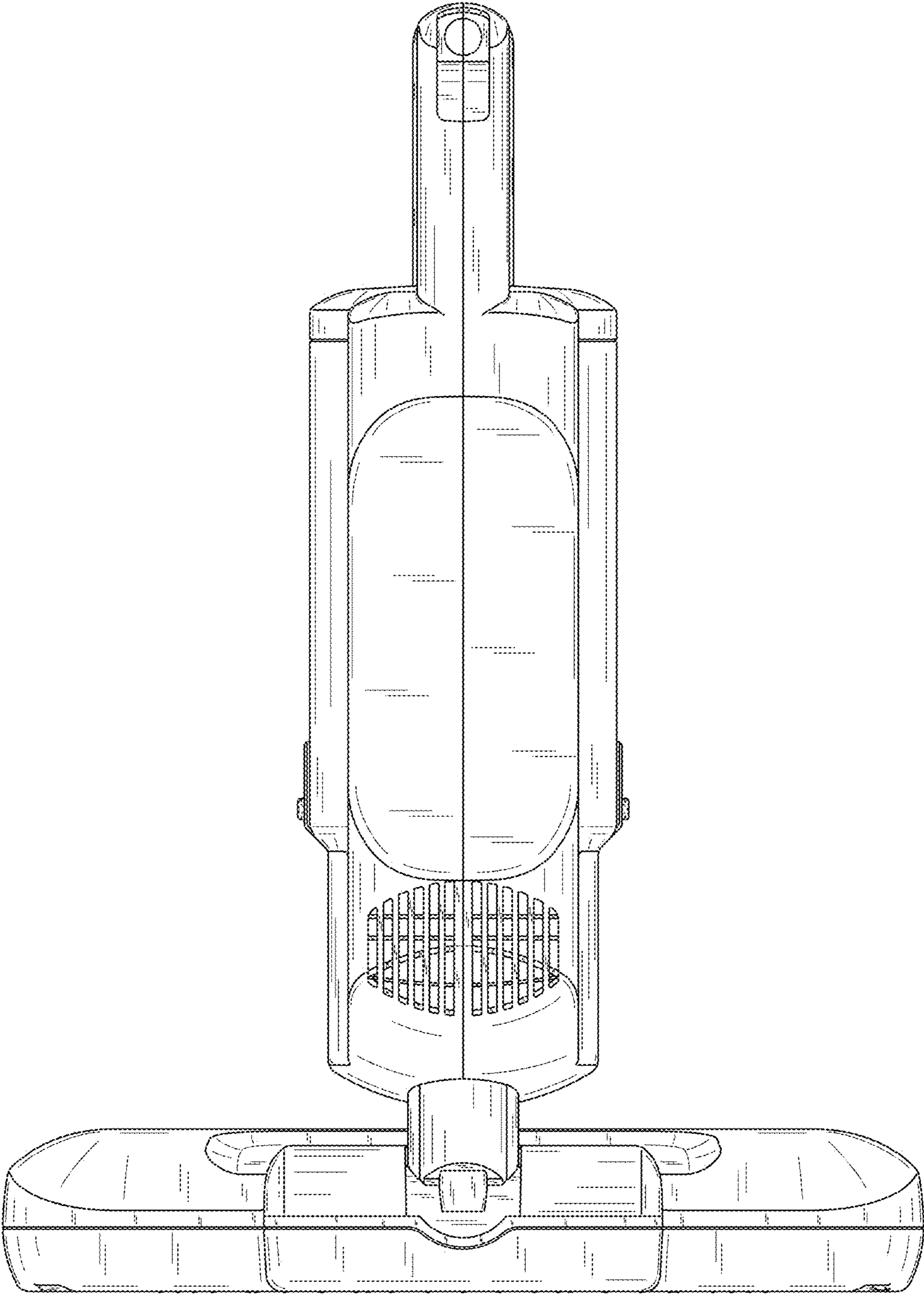


FIG.4

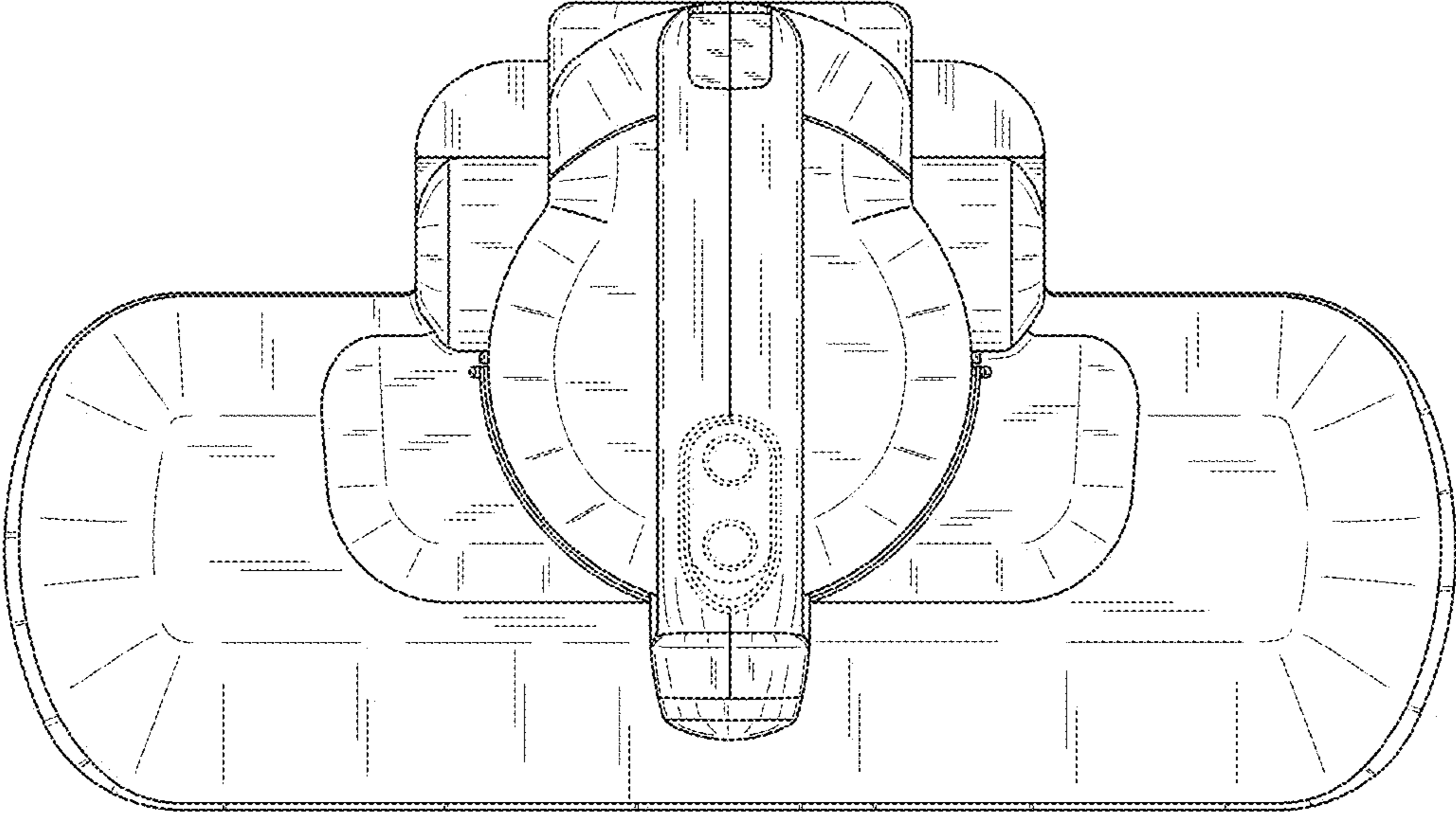


FIG. 5

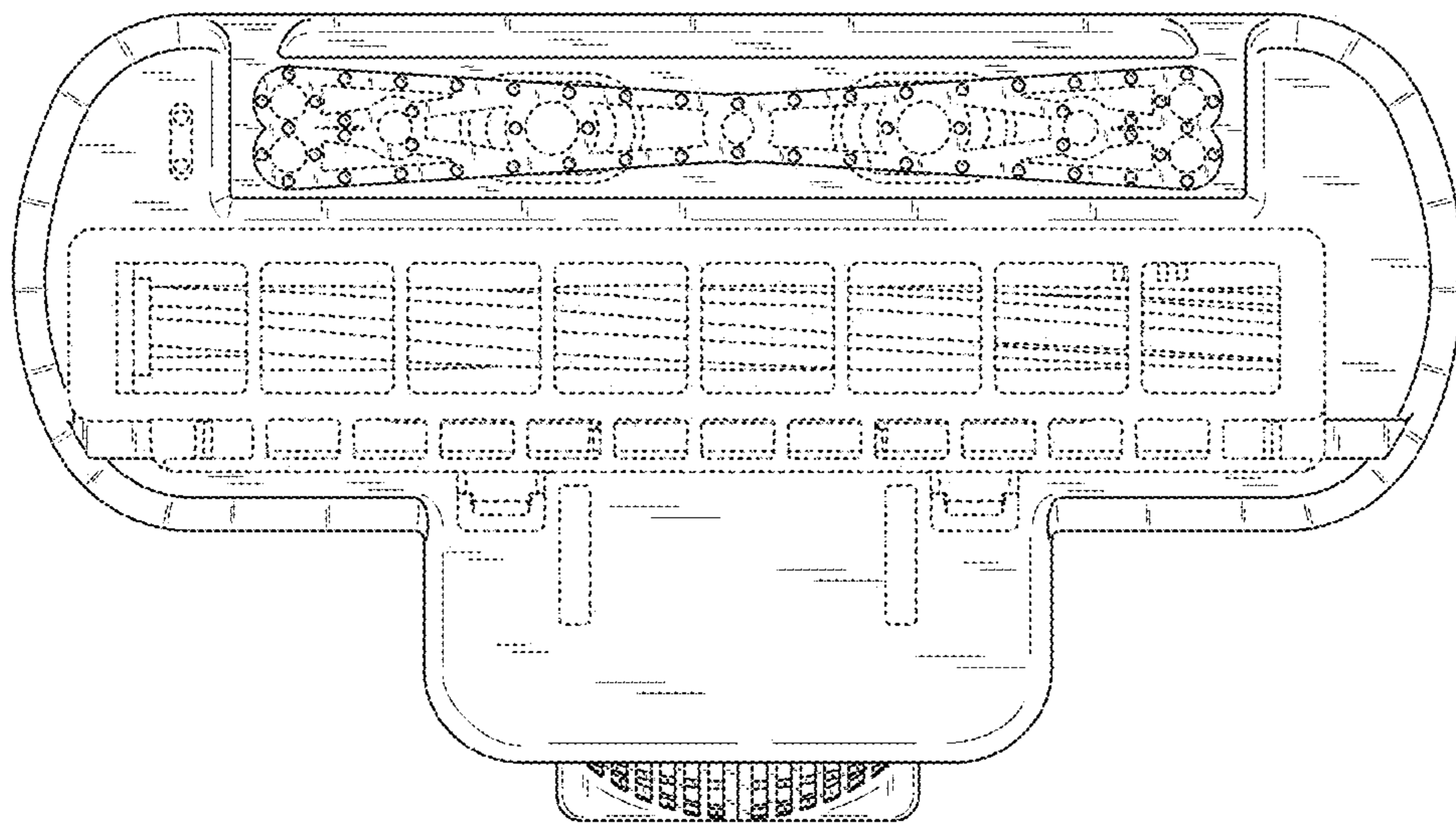


FIG.6

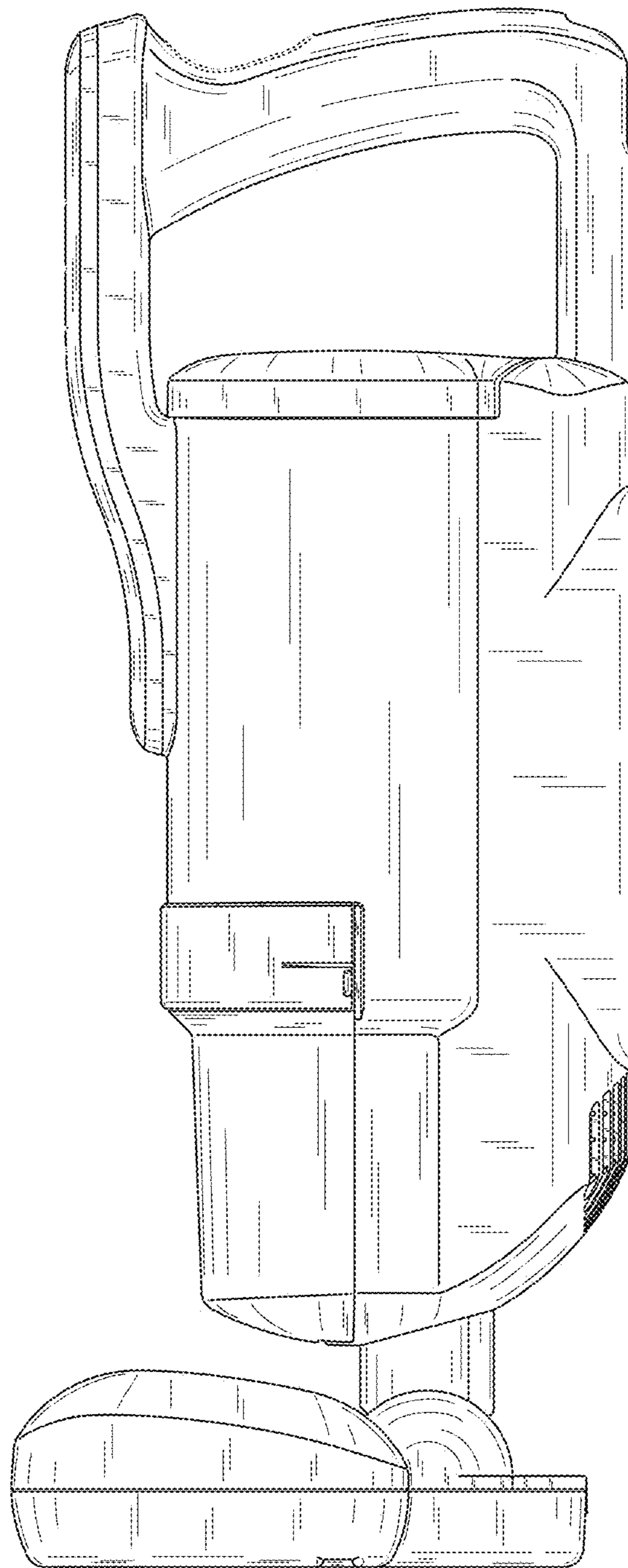


FIG. 7

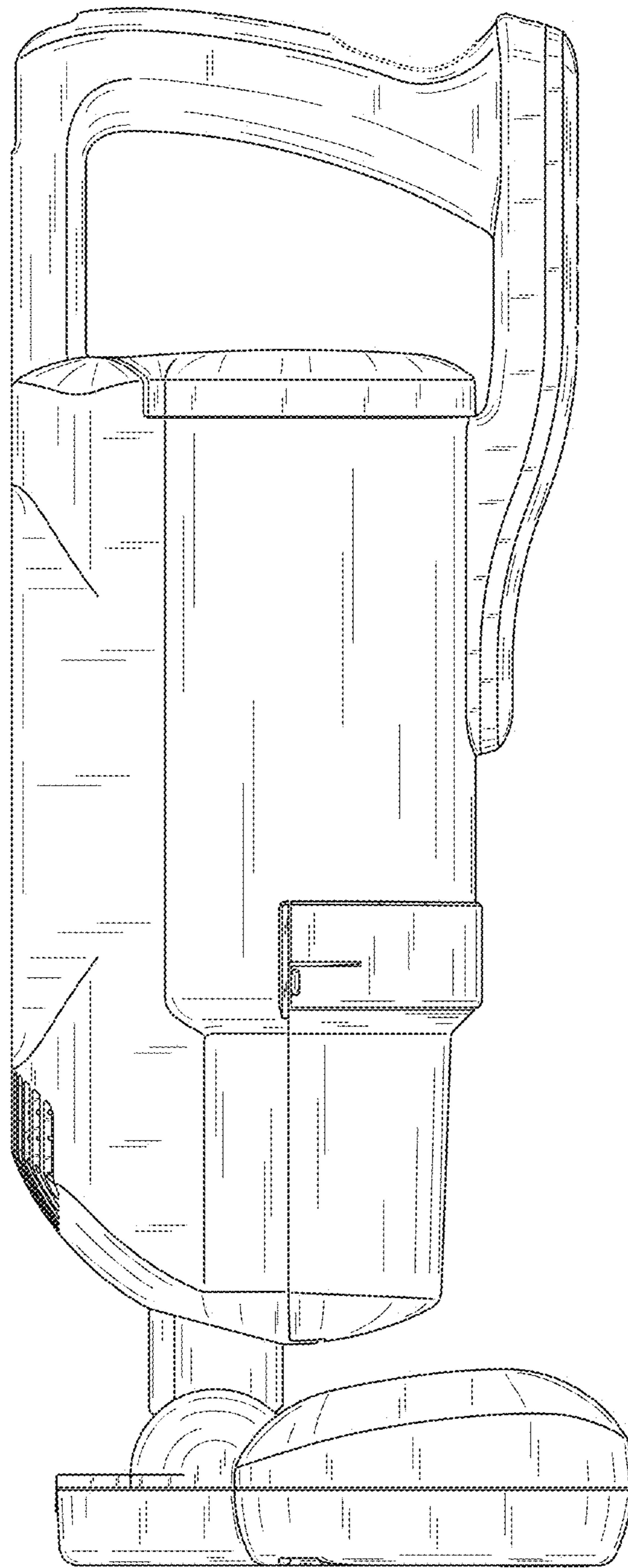


FIG.8

