



US00D951567S

(12) **United States Design Patent**
Park et al.

(10) **Patent No.:** **US D951,567 S**
(45) **Date of Patent:** **** May 10, 2022**

(54) **STEAM PRESS**

(71) Applicant: **LG ELECTRONICS INC.**, Seoul (KR)

(72) Inventors: **Kyutae Park**, Seoul (KR); **Jaeil Bae**, Seoul (KR); **Kyungah Lee**, Seoul (KR); **Hoil Jeon**, Seoul (KR); **Youngsoo Ha**, Seoul (KR)

(73) Assignee: **LG Electronics Inc.**, Seoul (KR)

(**) Term: **15 Years**

(21) Appl. No.: **29/724,743**

(22) Filed: **Feb. 19, 2020**

(30) **Foreign Application Priority Data**

Aug. 20, 2019 (KR) 30-2019-0039774

(51) **LOC (13) Cl.** **07-05**

(52) **U.S. Cl.**
USPC **D32/9**

(58) **Field of Classification Search**
USPC D32/9, 35, 60, 66, 67, 70; D21/526
CPC A47G 25/72; A47G 25/78; D06F 63/00;
D06F 71/023; D06F 71/026; D06F 71/08;
D06F 71/36; D06F 71/285; D06F 71/40;
D06F 75/08; D06F 75/34; D06F 75/38
See application file for complete search history.

(56) **References Cited**

U.S. PATENT DOCUMENTS

D87,321 S *	7/1932	Watts	D32/9
D91,785 S *	3/1934	Oliver	D32/9
D94,559 S *	2/1935	Patten	D32/9
1,993,335 A *	3/1935	Beede	D06F 71/026 38/36
2,482,412 A *	9/1949	Gershon	D06F 83/00 38/66
3,101,560 A *	8/1963	Little	D06F 71/40 38/12

(Continued)

FOREIGN PATENT DOCUMENTS

CN 306403017 * 3/2021
CN 306403018 * 3/2021

(Continued)

OTHER PUBLICATIONS

Inspire Electronic Steam Press, available in factorypure.com, customer review oldest date May 29, 2020 [online], [site visited Oct. 19, 2021], Available from the internet URL: <https://factorypure.com/collections/all/products/inspire-feiyue-large-surface-32-inch-electronic-steam-press-new> (Year: 2020).*

(Continued)

Primary Examiner — Amy C Wierenga
Assistant Examiner — Jennylou M Binas

(74) *Attorney, Agent, or Firm* — Birch, Stewart, Kolasch & Birch, LLP

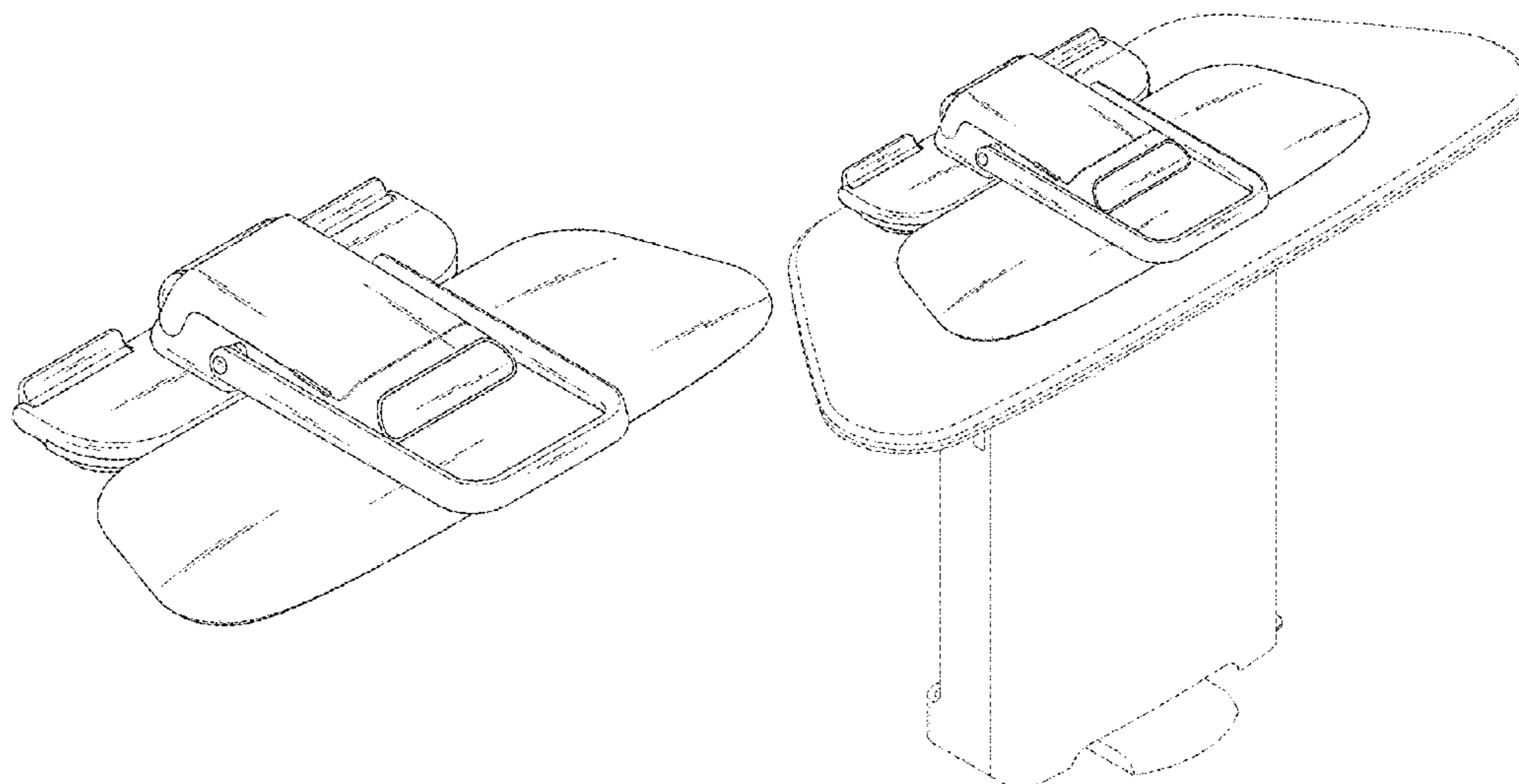
(57) **CLAIM**

We claim the ornamental design for a steam press, as shown and described.

DESCRIPTION

FIG. 1 is a perspective view of a steam press showing the new design;
FIG. 2 is a front elevation view thereof;
FIG. 3 is a rear elevation view thereof;
FIG. 4 is a left-side elevation view thereof;
FIG. 5 is a right-side elevation view thereof;
FIG. 6 is a top plan view thereof;
FIG. 7 is a bottom plan view thereof; and,
FIG. 8 is a perspective view of the steam press in a state of use.
The broken lines shown in the drawings depict portions of the steam press that form no part of the claim.

1 Claim, 8 Drawing Sheets



(56)

References Cited

U.S. PATENT DOCUMENTS

D199,079	S	*	9/1964	Boldt	D32/9
D225,451	S	*	12/1972	Jimenez	D32/9
4,300,296	A	*	11/1981	Hochstrasser	D06F 71/02 38/17
D262,885	S	*	2/1982	Baruffa	D32/9
D275,808	S	*	10/1984	Baruffa	D32/9
D275,901	S	*	10/1984	Baruffa	D32/9
D287,774	S	*	1/1987	Primati	D32/9
D314,647	S	*	2/1991	Jimenez	D32/9
5,014,453	A	*	5/1991	Gratsch	D06F 71/00 38/14
D354,591	S	*	1/1995	Wong	D32/9
D380,068	S	*	6/1997	Gudefin	D32/9
D465,073	S	*	10/2002	Bedretdinov	D32/9
D927,113	S	*	8/2021	Bae	D32/70
D937,524	S	*	11/2021	Park	D32/66
D939,170	S	*	12/2021	Park	D32/66

FOREIGN PATENT DOCUMENTS

CN	306403019	*	3/2021
WO	D206458-001	*	8/2021
WO	D206459-001	*	8/2021
WO	D207137-001	*	8/2021

OTHER PUBLICATIONS

Steam Press with Digital Control, announced in YouTube.com on Mar. 26, 2009 [online], [site visited Oct. 19, 2021], Available from the internet URL: https://www.youtube.com/watch?v=s_lgklTdt48 (Year: 2009).*

Best Steam Presses, announced in bestreviews.com on Sep. 2021 [online], [site visited Oct. 19, 2021], Available from the internet URL: <https://bestreviews.com/home/irons/best-steam-presses> (Year: 2021).*

Steamfast SF-680 Digital Fabric Steam Press, available in Amazon.ca, date 1st available Jul. 8, 2013 [online], [site visited Oct. 19, 2021], Available from the internet URL: https://www.amazon.ca/Steamfast-SF-680-Digital-Fabric-Steam/dp/B00061J2B6/ref=sr_1_1?dchild=1&keywords=B00061J2B6&qid=1634676016&sr=8-1 (Year: 2013).*

* cited by examiner

FIG. 1

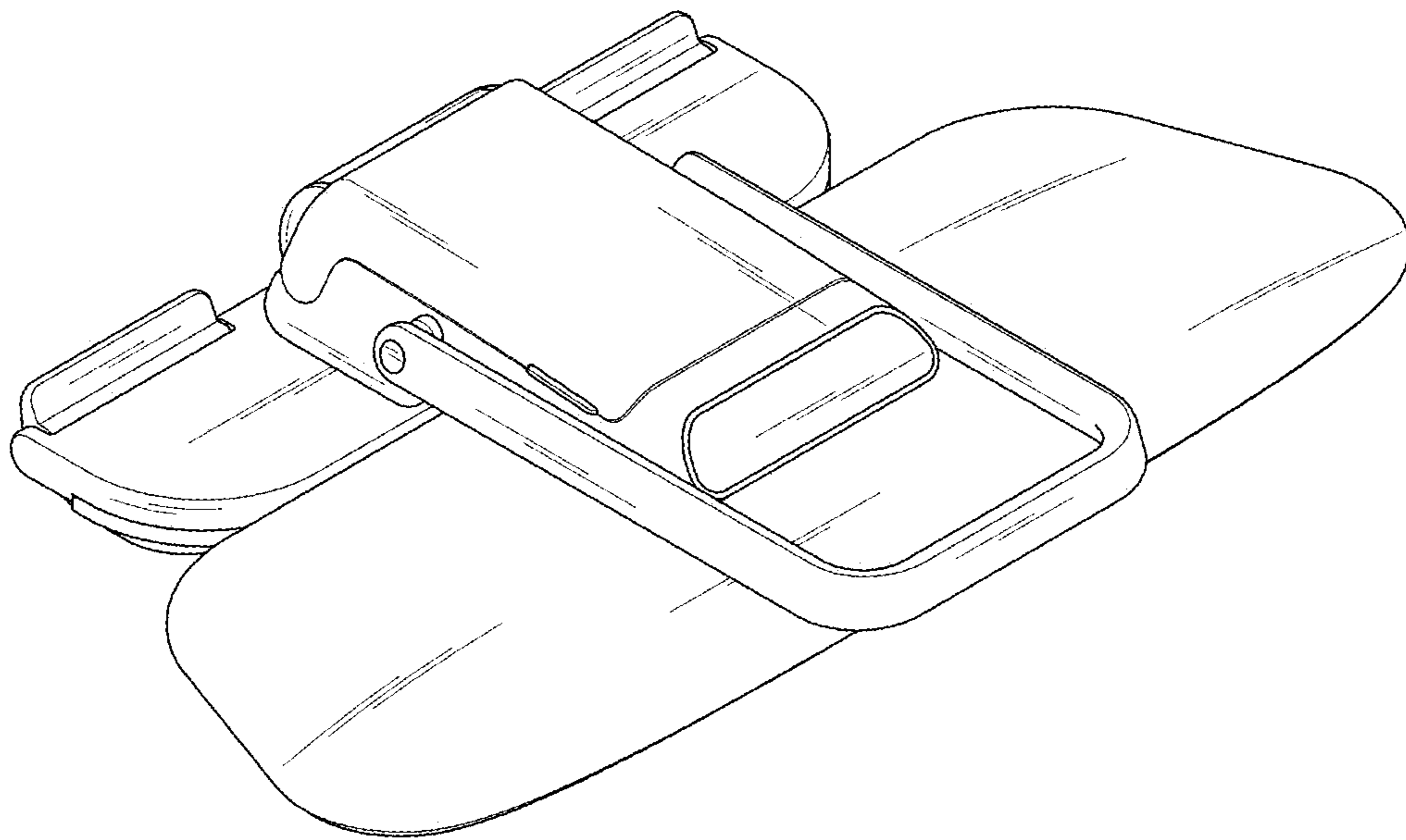


FIG. 2

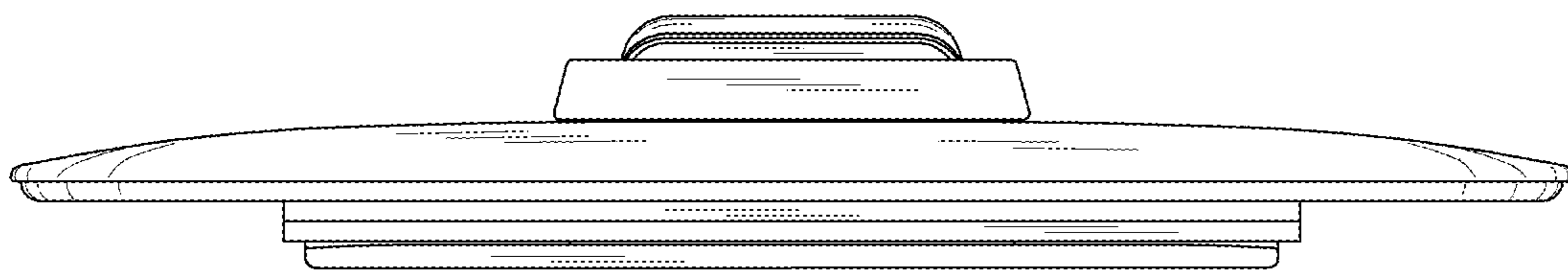


FIG. 3

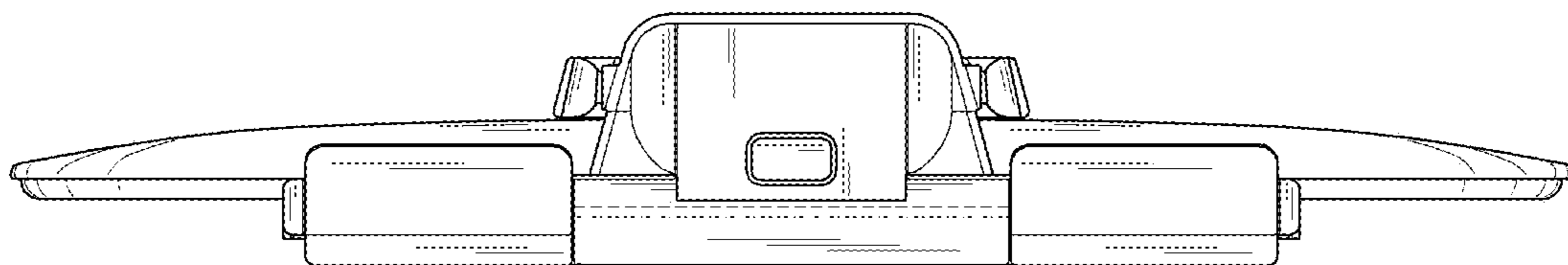


FIG. 4

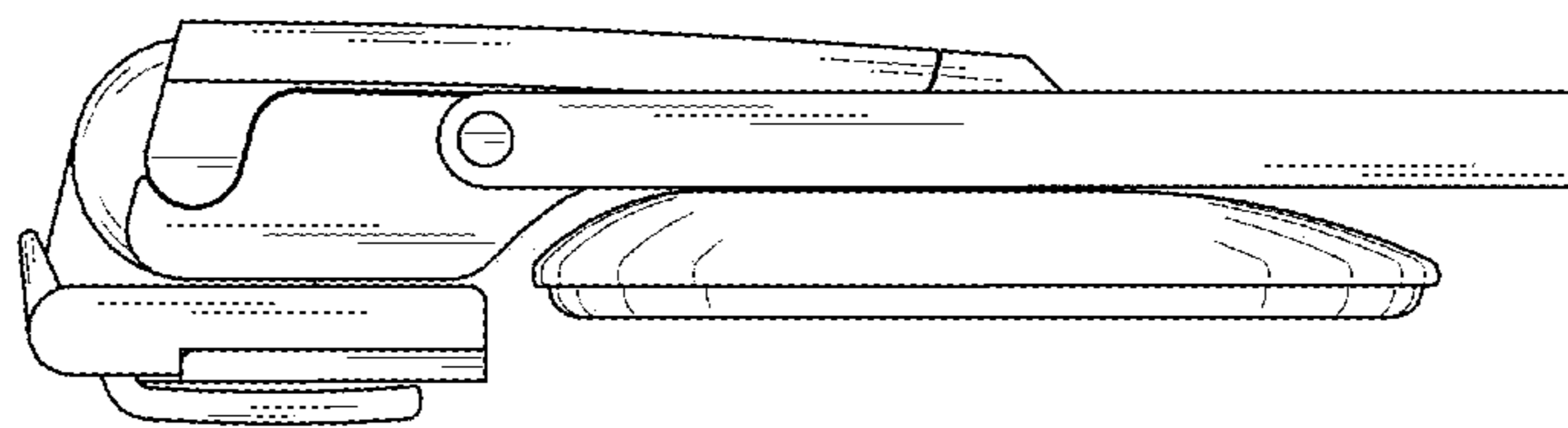


FIG. 5

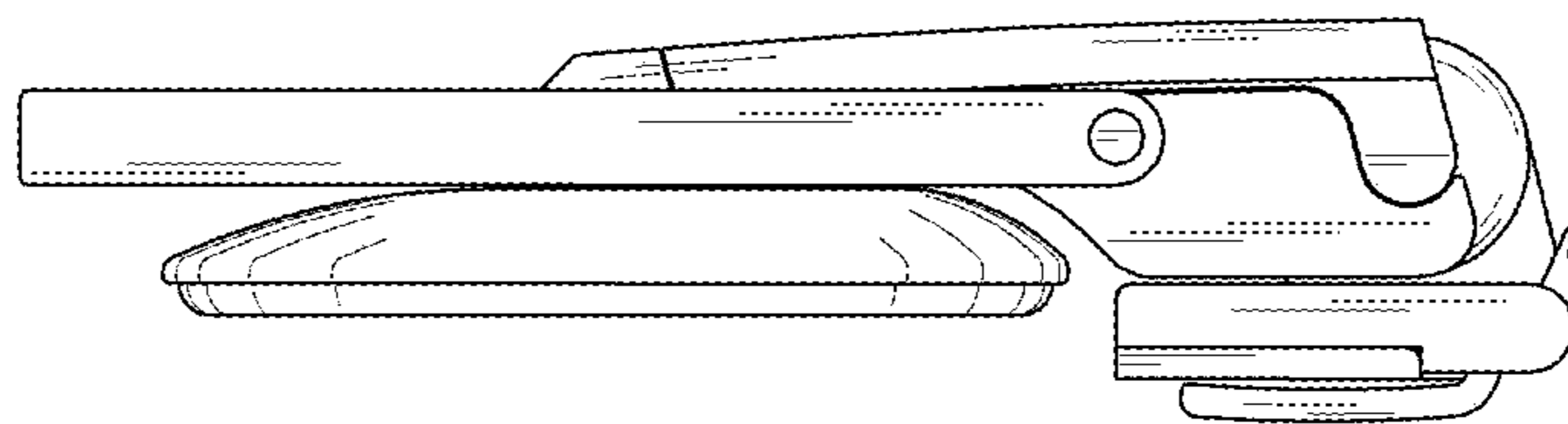


FIG. 6

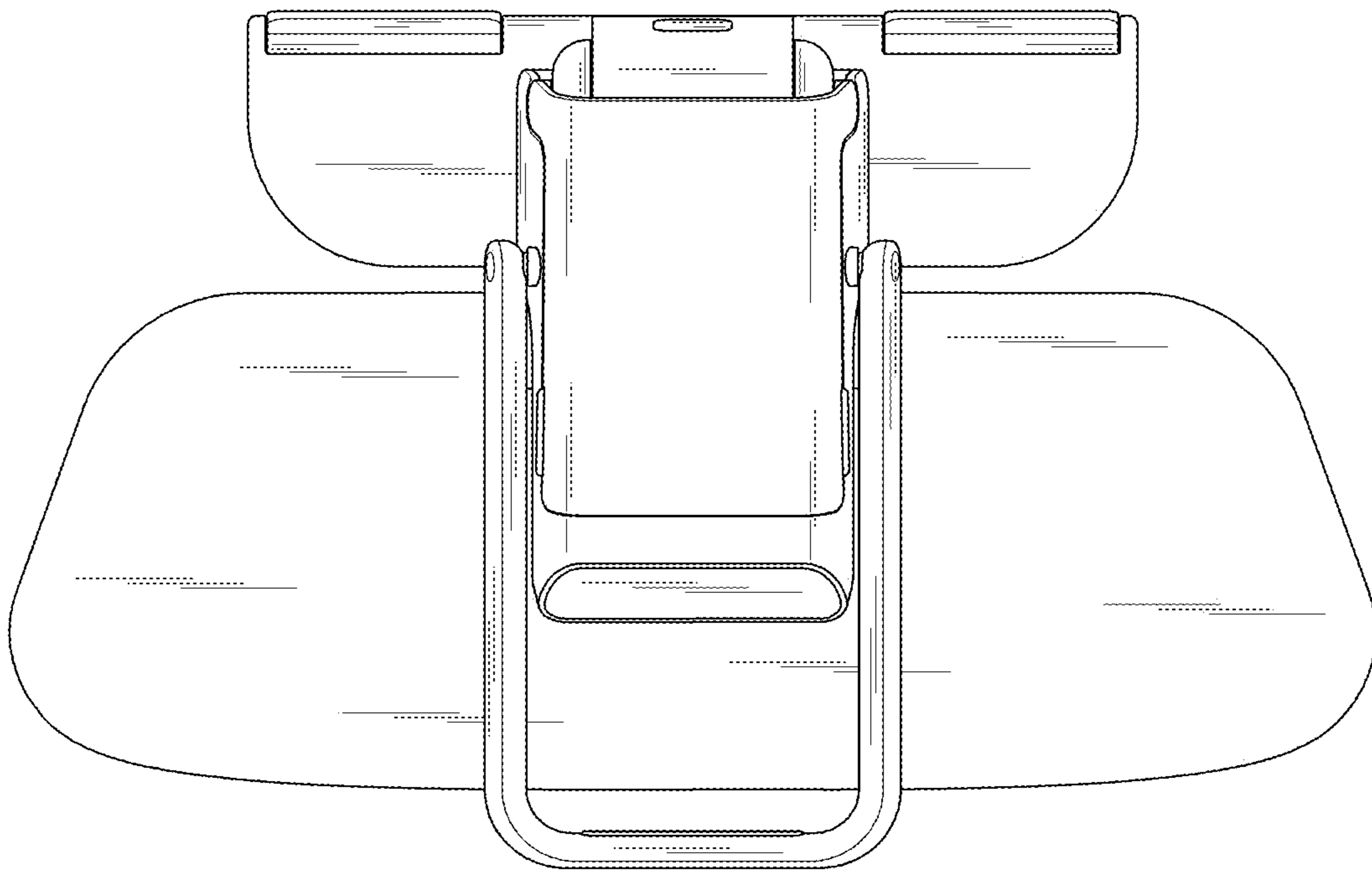


FIG. 7

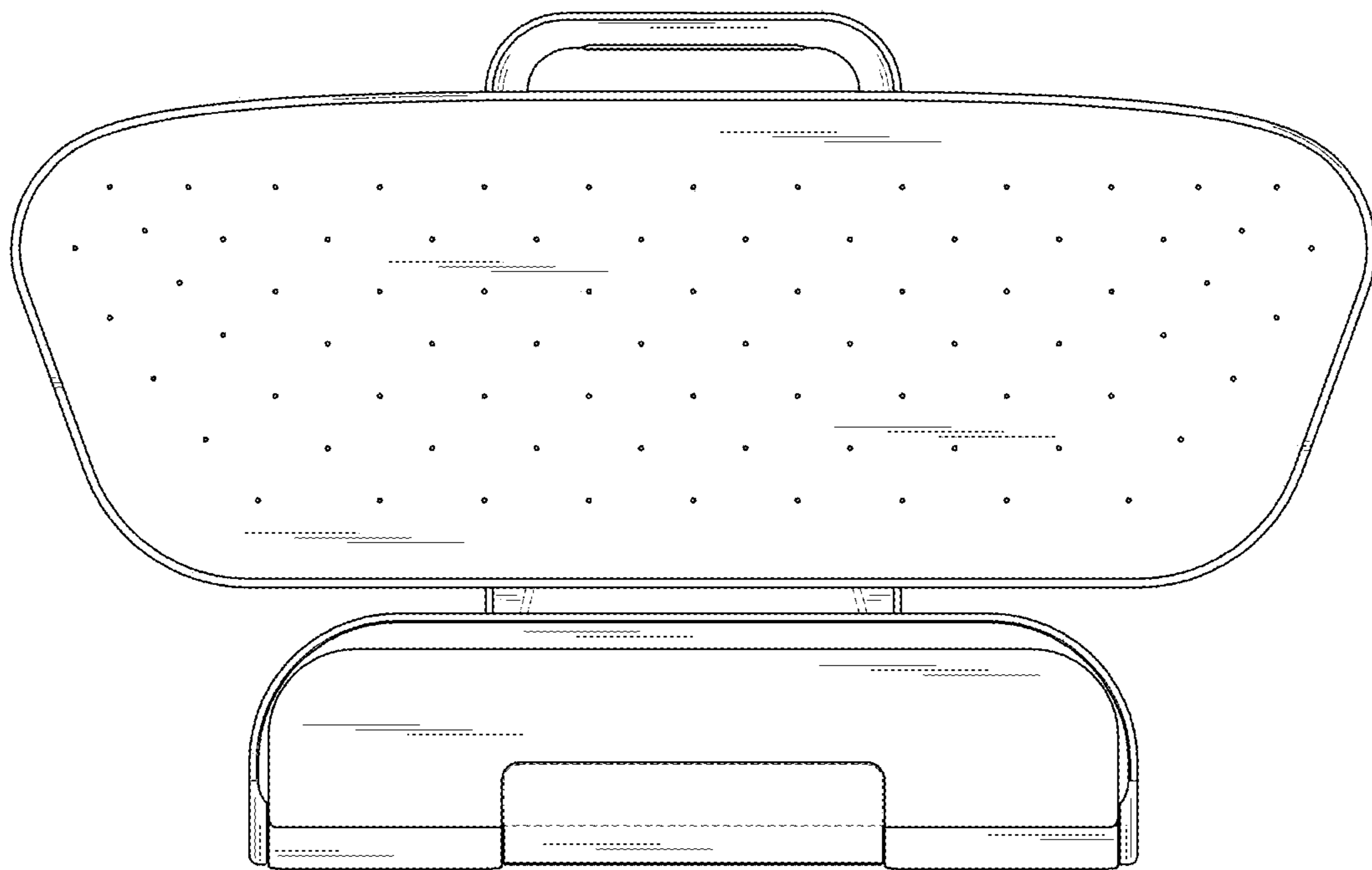


FIG. 8

