



US00D951558S

(12) **United States Design Patent** (10) **Patent No.:** **US D951,558 S**  
**Williams et al.** (45) **Date of Patent:** **\*\* May 10, 2022**

(54) **SPUR FOR BULL RIDING**

D190,818 S 7/1961 Norton  
3,153,888 A 10/1964 Garrett  
3,157,013 A \* 11/1964 Hayward ..... A43C 17/02  
54/83.1

(71) Applicant: **Bullrider Spur Company LLC**,  
Brighton, CO (US)

(Continued)

(72) Inventors: **Terry W. Williams**, Brighton, CO  
(US); **Billy G. Martin**, Brighton, CO  
(US)

FOREIGN PATENT DOCUMENTS

EP 2364608 A1 9/2011

(73) Assignee: **BULLRIDER SPUR COMPANY  
LLC**, Brighton, CO (US)

OTHER PUBLICATIONS

(\*\*) Term: **15 Years**

“GWG: Super Grip Gator Bull Spur”. Found online OS/29/2020  
atgetwesterngear.com. Reference dated Jul. 22, 2008. Retrieved  
from <https://tineye.com/search/fd6fd1a9159435c2f4bce0>.

(Continued)

(21) Appl. No.: **29/772,703**

(22) Filed: **Mar. 3, 2021**

*Primary Examiner* — Kendra Leslie Hamilton

(74) *Attorney, Agent, or Firm* — Aileen Law; Oppedahl  
Patent Law Firm LLC

**Related U.S. Application Data**

(62) Division of application No. 29/708,188, filed on Oct.  
3, 2019, now Pat. No. Des. 915,691.

(51) **LOC (13) Cl.** ..... **30-05**

(52) **U.S. Cl.**  
USPC ..... **D30/157**

(58) **Field of Classification Search**  
USPC ..... D30/157; D2/642, 946, 976  
CPC ..... A43C 17/02; A43C 17/04; A43C 17/06  
See application file for complete search history.

(57) **CLAIM**

The ornamental design for a spur for bull riding, as shown  
and described.

**DESCRIPTION**

FIG. 1 is a top, front, left, perspective view of a spur for bull  
riding, showing our new design;  
FIG. 2 is a top, front, right, perspective view thereof;  
FIG. 3 is a top, back, right, perspective view thereof;  
FIG. 4 is a top, back, left, perspective view thereof;  
FIG. 5 is a bottom, front, left perspective view thereof;  
FIG. 6 is a front elevation view thereof;  
FIG. 7 is a back elevation view thereof;  
FIG. 8 is a left side elevation view thereof;  
FIG. 9 is a right side elevation view thereof;  
FIG. 10 is a top plan view thereof; and,  
FIG. 11 is a bottom view thereof.

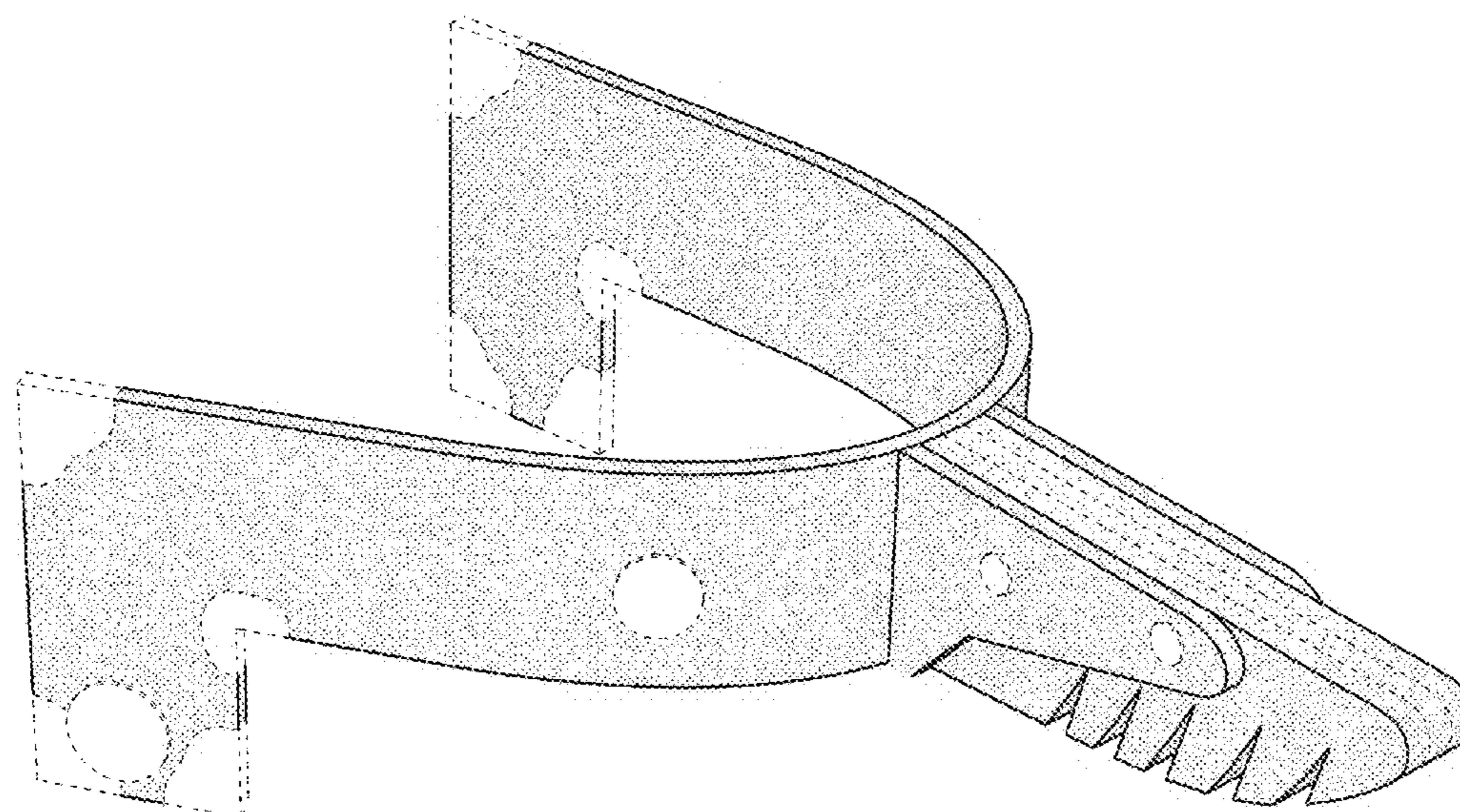
The claim also includes a second embodiment of the spur for  
bull riding that is a mirror image of FIGS. 1-11.  
The broken lines in the figures form no part of the claimed  
design.

(56) **References Cited**

U.S. PATENT DOCUMENTS

215,504 A 5/1879 Brown  
655,555 A 8/1900 Jackson  
D35,697 S 2/1902 Underwood  
D45,816 S \* 5/1914 Oleyar ..... D30/157  
2,290,445 A \* 7/1942 Oleyar ..... A43C 17/02  
54/83.2  
2,479,741 A 8/1949 Grimland  
2,907,161 A \* 10/1959 Chandler ..... A43C 17/02  
54/83.1

**1 Claim, 11 Drawing Sheets**



(56)

**References Cited**

U.S. PATENT DOCUMENTS

D209,063	S	10/1967	Natzgar	
D289,809	S *	5/1987	Pela .....	54/83.1
5,913,800	A	6/1999	Williams	
D437,980	S	2/2001	Anderson	
6,192,663	B1 *	2/2001	Gatlin .....	A43B 3/0063 54/83.1
6,339,915	B1	1/2002	Bradbury	
D527,496	S *	8/2006	Peart .....	D30/157
D613,911	S *	4/2010	Hauck-Hasmatali .....	D30/157
D629,600	S *	12/2010	Mandalia .....	D2/976
2002/0108357	A1 *	8/2002	Martin .....	A43C 17/04 54/83.1
2006/0042201	A1 *	3/2006	Curry .....	A43C 17/06 54/83.1
2007/0033911	A1 *	2/2007	Sprenger .....	A43C 17/00 54/83.2
2008/0016828	A1 *	1/2008	Strauss .....	A43C 17/04 54/83.2
2011/0225937	A1	9/2011	Chang	
2015/0335101	A1	11/2015	Monroy et al.	

OTHER PUBLICATIONS

“Tanner Spurs: Custom Offset”. Found online OS/29/2020 at facebook.com. Reference dated May 19, 2014. Retrieved from <https://www.facebook.com/562644177157315/photos/a.5645400669>.  
 “BBar: Bull Riding Spur”. Found online OS/29/2020 at bbarbwholesale.com. Reference dated Sep. 4, 2010. Retrieved from [www.bbarbwholesale.com/bull-riding-spurs-degree-p-452.htm](http://www.bbarbwholesale.com/bull-riding-spurs-degree-p-452.htm).

\* cited by examiner

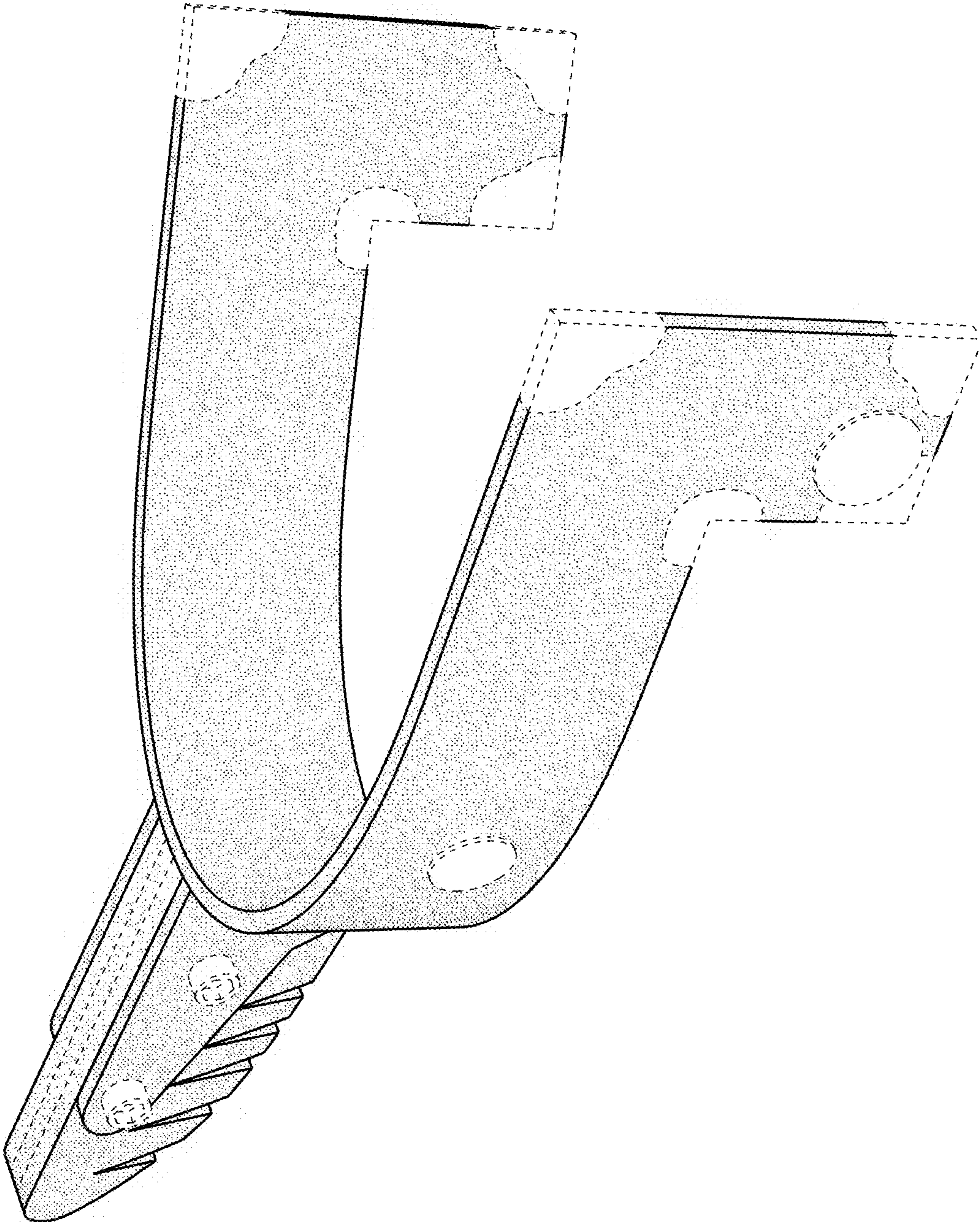


FIG.1

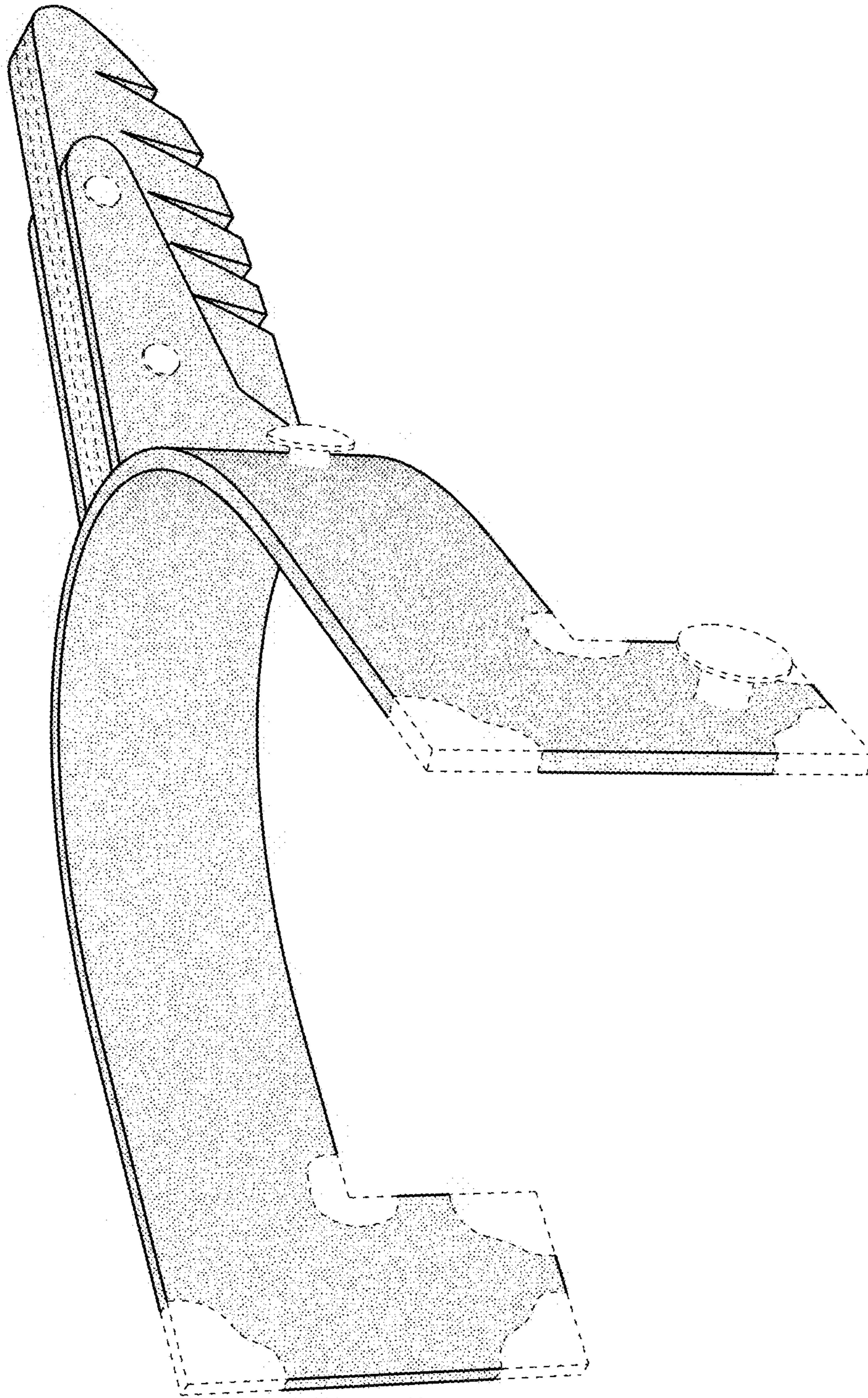


FIG. 2

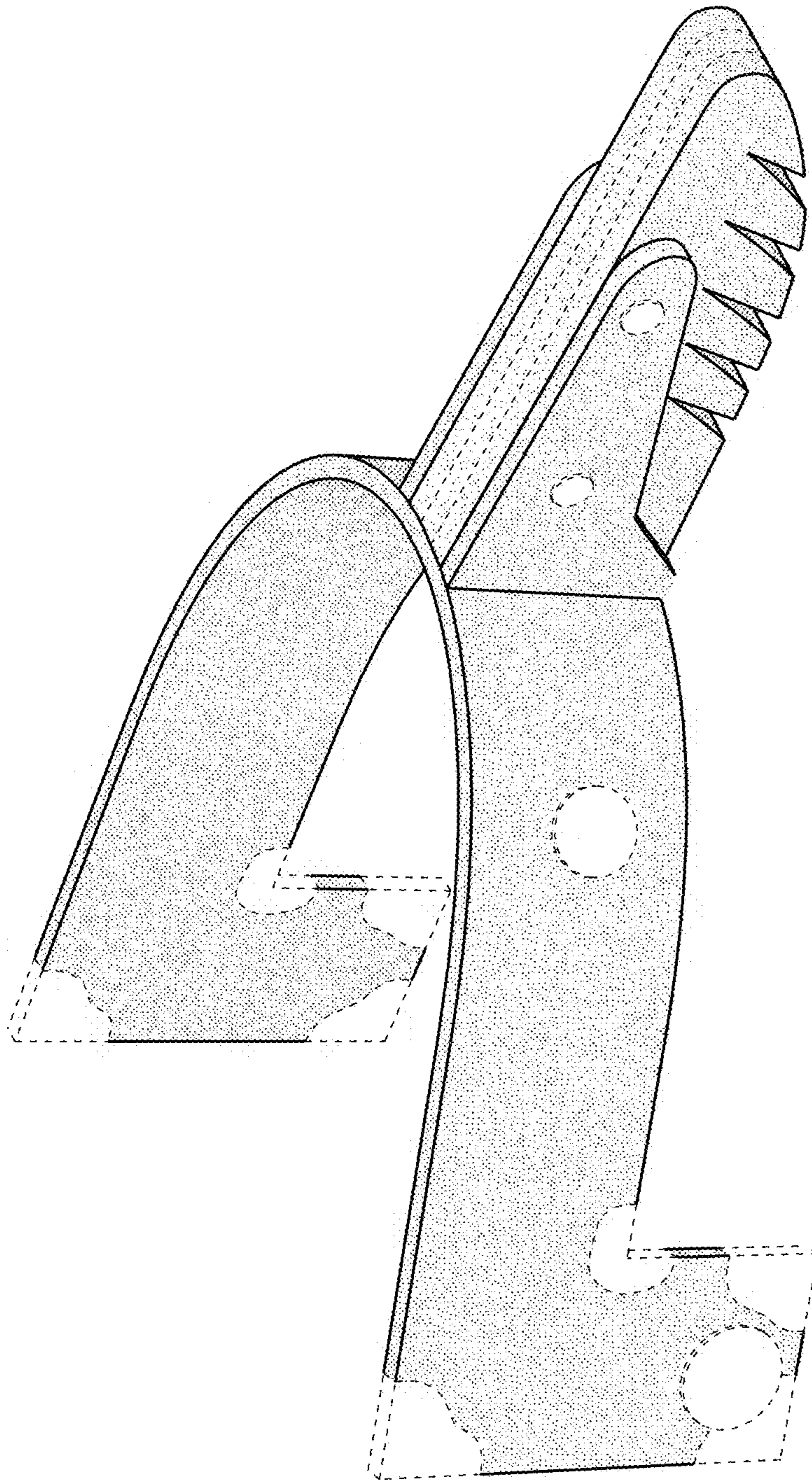


FIG. 3

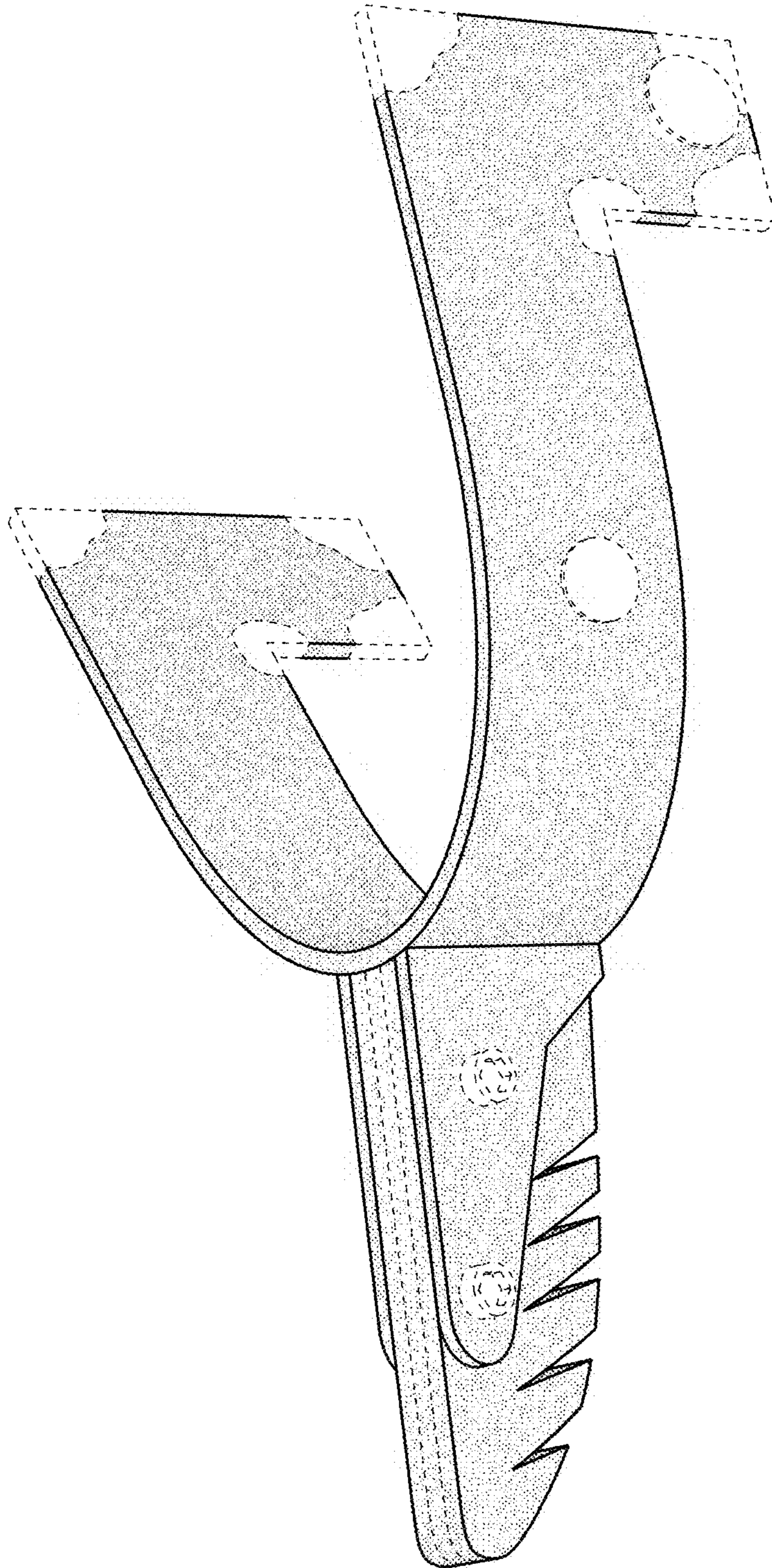


FIG.4

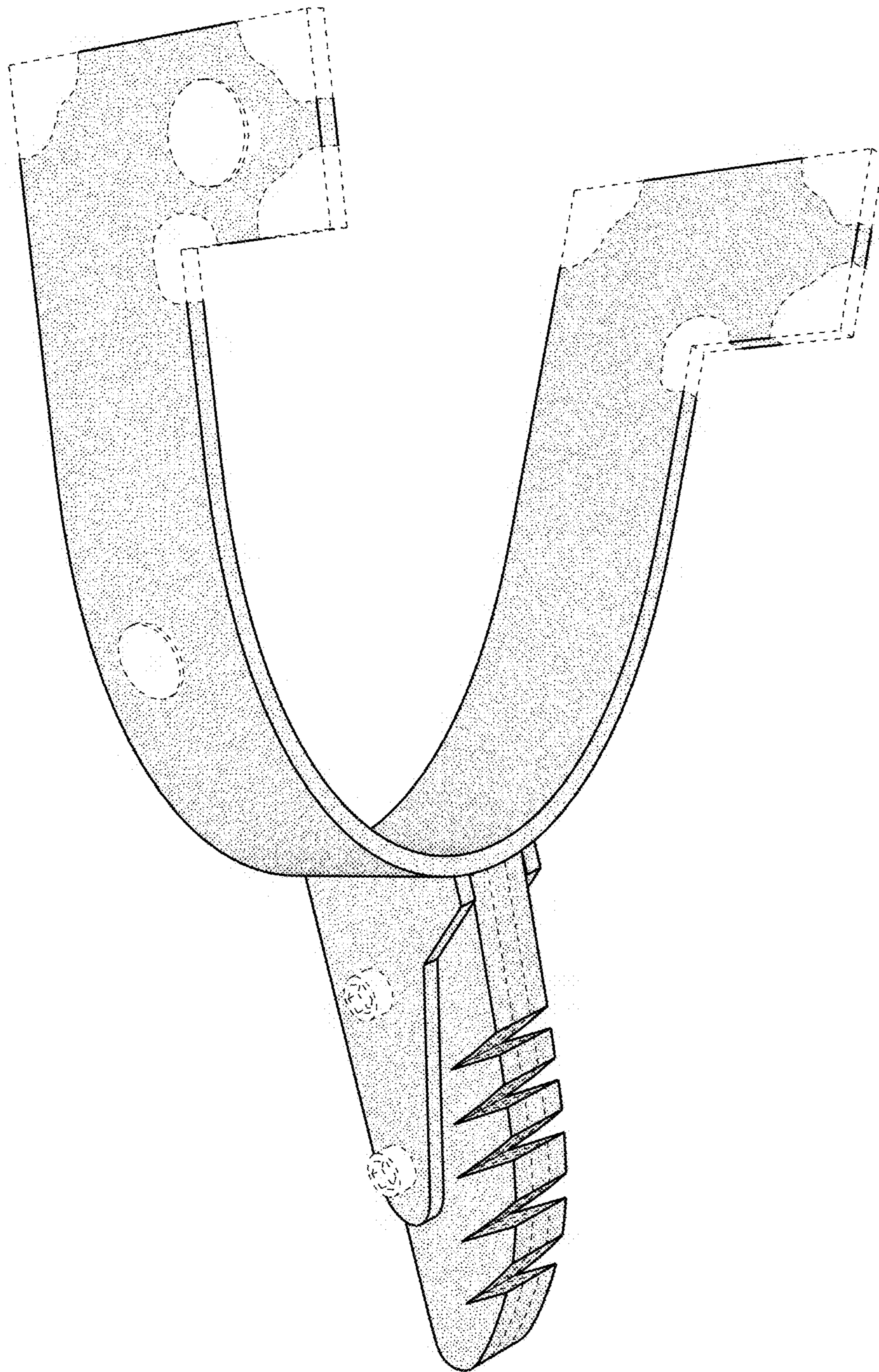


FIG.5

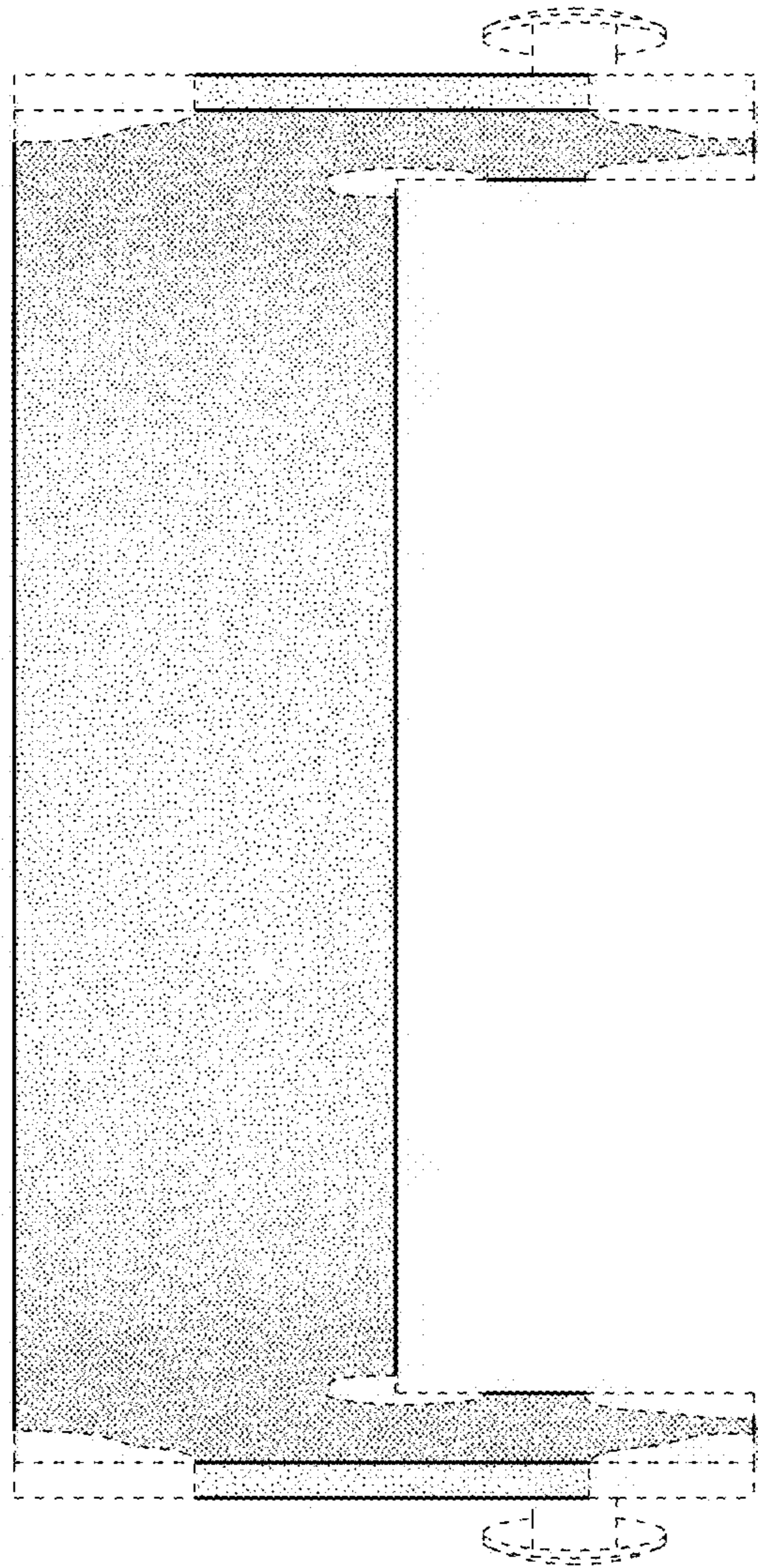


FIG. 6



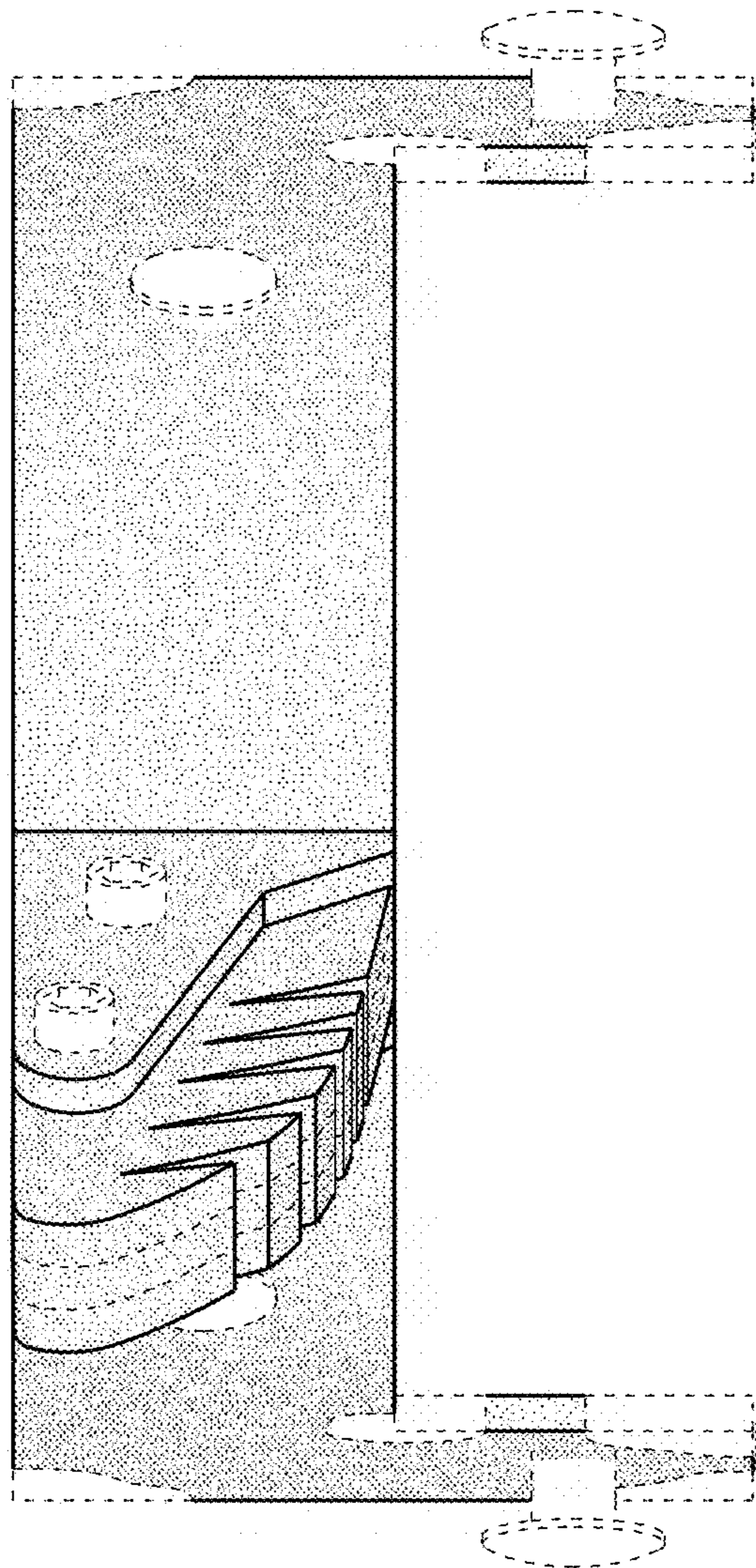


FIG.7

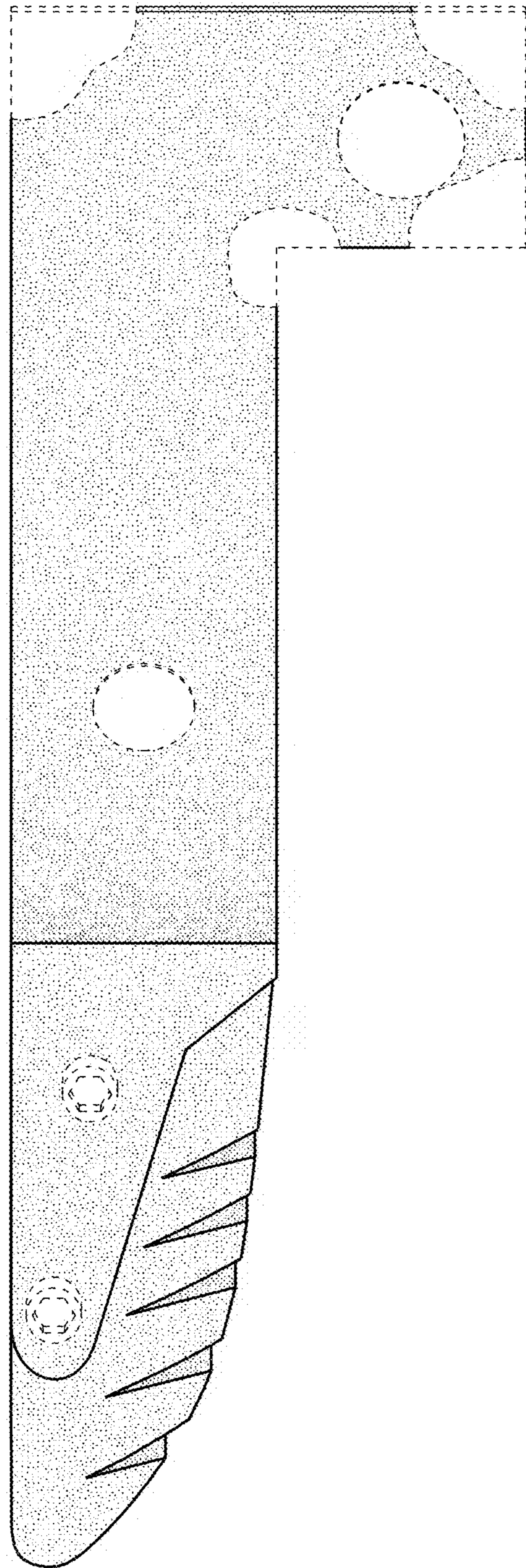


FIG.8

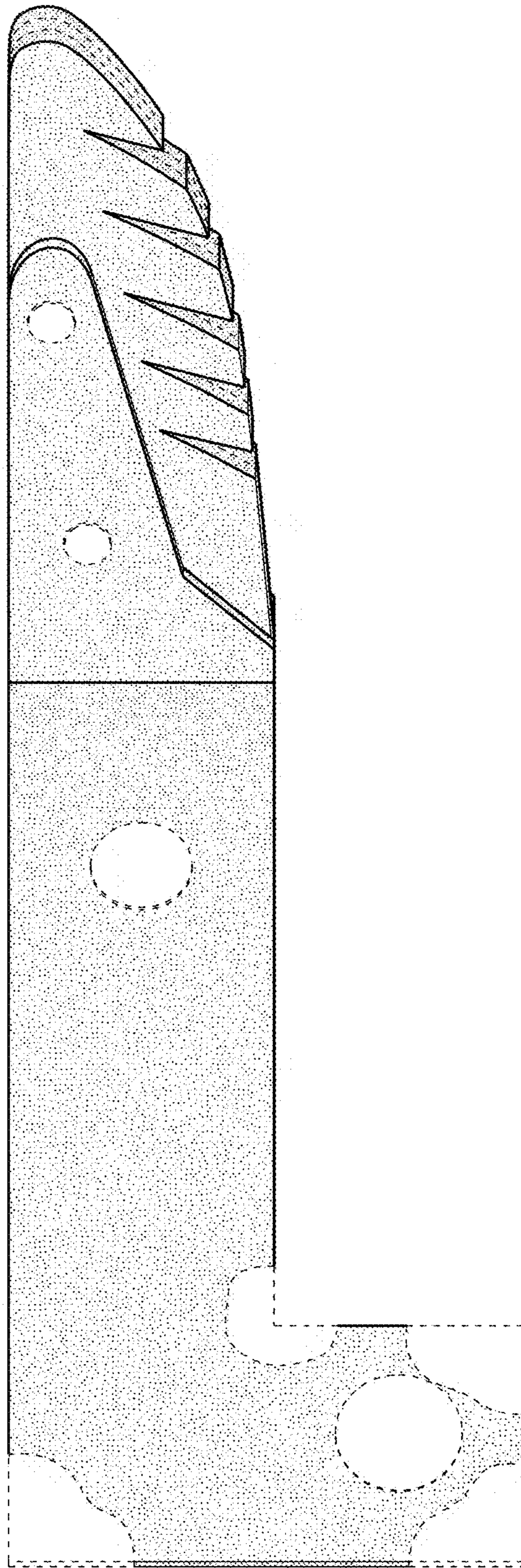


FIG. 9

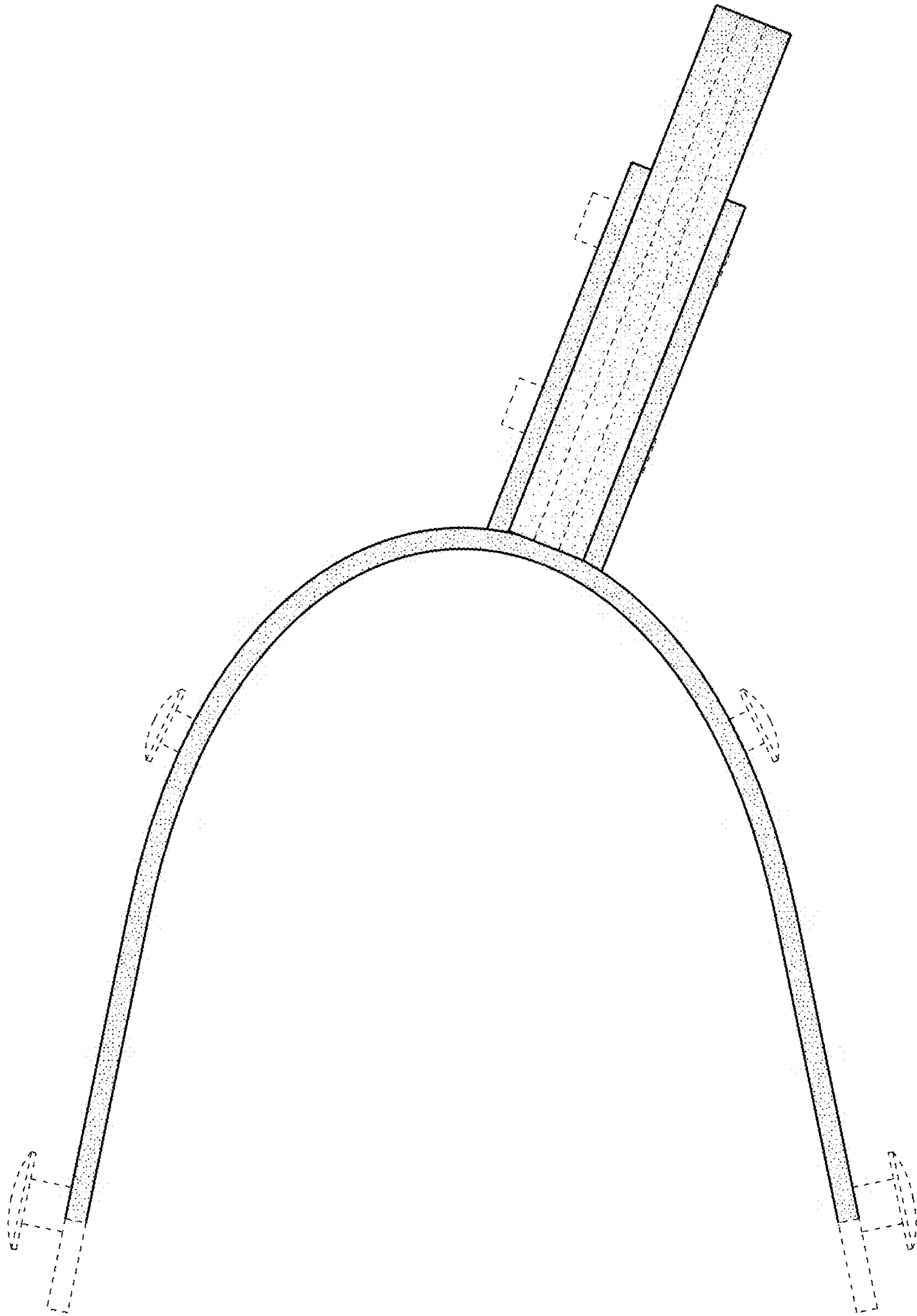


FIG.10

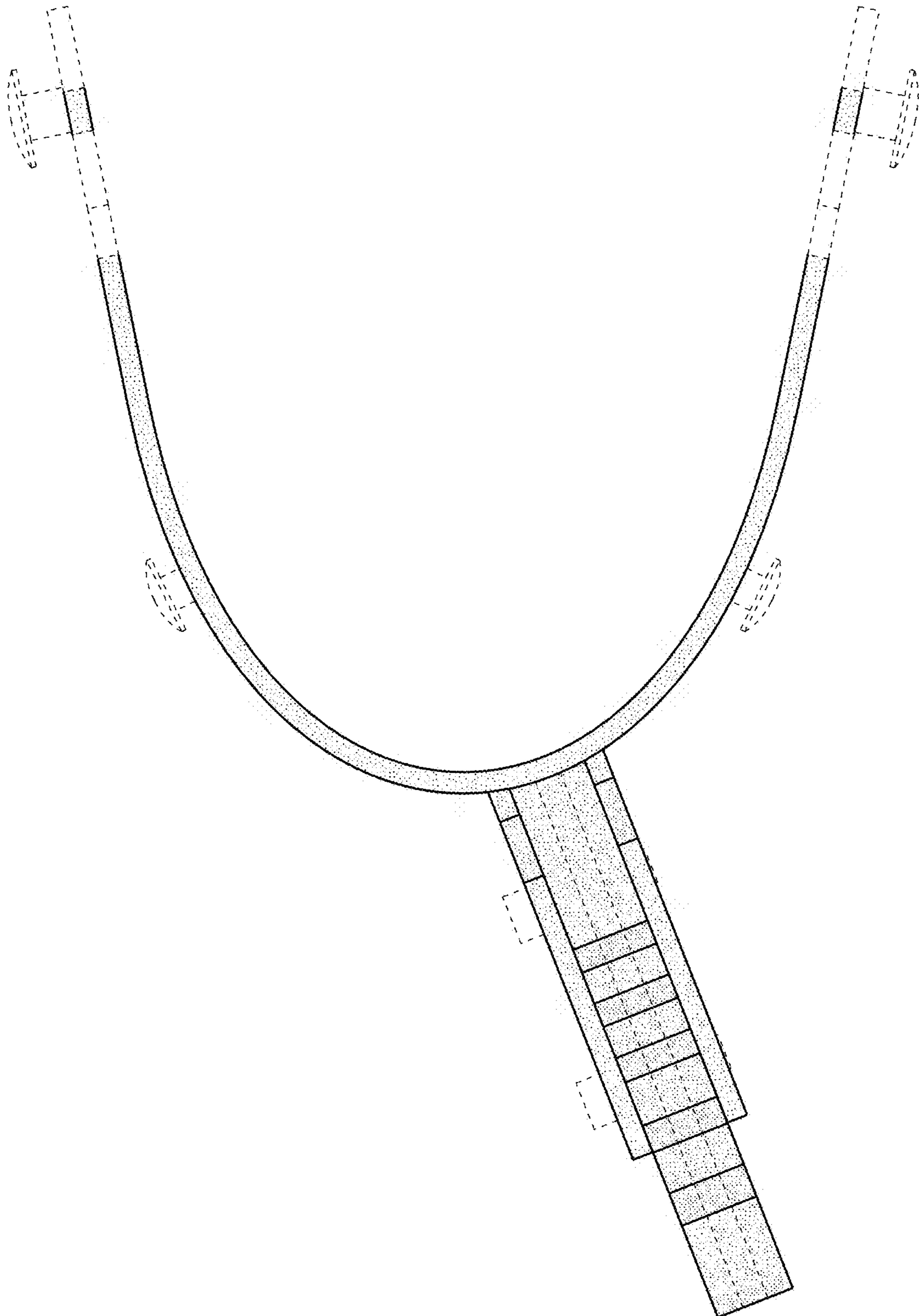


FIG.11