



US00D951557S

(12) **United States Design Patent** (10) **Patent No.:** **US D951,557 S**
Liu (45) **Date of Patent:** **** May 10, 2022**

- (54) **ANIMAL COLLAR**
- (71) Applicant: **Nanjing Lantu Trading Co., Ltd.,**
Nanjing (CN)
- (72) Inventor: **Zhixing Liu,** Nanjing (CN)
- (73) Assignee: **Nanjing Lantu Trading Co., Ltd.,**
NangJing (CN)
- (**) Term: **15 Years**
- (21) Appl. No.: **29/777,928**
- (22) Filed: **Apr. 9, 2021**
- (51) **LOC (13) Cl.** **30-04**
- (52) **U.S. Cl.**
USPC **D30/152**
- (58) **Field of Classification Search**
USPC D30/151, 152, 155, 199; D10/32, 104.1,
D10/104.2; D2/628, 894, 895; D24/186
CPC A01K 27/006; A01K 27/001
See application file for complete search history.

(56) **References Cited**
U.S. PATENT DOCUMENTS

D456,957 S	5/2002	Koch	
D482,826 S *	11/2003	Sasco	D30/152
D516,755 S *	3/2006	Catalano	D30/152
7,021,247 B1 *	4/2006	Seeno	A01K 15/02 119/859
7,185,613 B2 *	3/2007	Arvanitis	A01K 27/006 119/857
D672,512 S	12/2012	Jermy	
D716,174 S *	10/2014	Tsang	D11/3
D726,057 S *	4/2015	Wai	D11/4
D799,758 S *	10/2017	Yohai-Giochais	D30/152
D887,651 S	6/2020	Durrant	
2007/0221140 A1 *	9/2007	Warren	A01K 11/008 119/859
2009/0283056 A1 *	11/2009	Mattera	A01K 27/006 119/858
2014/0299072 A1 *	10/2014	James	A01K 27/001 119/856

2015/0080638 A1 *	3/2015	Kunnari	A61N 2/06 600/15
2018/0110205 A1 *	4/2018	Czarnecky	G01S 19/14
2018/0364647 A1 *	12/2018	Gaeth	A01K 27/006

OTHER PUBLICATIONS

“Oh My Paw’d: Beer Collar for Pets”. Found online Dec. 13, 2021 at amazon.com. Reference dated Oct. 27, 2016. Retrieved from <https://www.amazon.com/Collar-Medium-Oh-My-Pawd/dp/B0753K9SK6>.*

“Pitbull Dog Store: Leather Pitbull Collar with Name Plate”. Found online Mar. 11, 2021 at all-about-pitbull-dog-breed.com. Reference dated Sep. 23, 2017. Retrieved from https://tineye.com/search/7fbc19bad83a2b959976e0dbdb9c6a2de3a4e161?sort=crawl_date&order=asc&page=1.*

“PetTracer: GPS-cat collar”. Found online Dec. 9, 2016 at gpscatcollar.com. Reference dated Oct. 22, 2014. Retrieved from <http://gpscatcollar.com/blog/2014/10/>.*

“TheraCollar: Therapeutic Copper Dog Collars”. Found online Feb. 18, 2016 at theracollar.com. Reference dated Apr. 17, 2013. Retrieved from <http://web.archive.org/web/20130417053402/http://theracollar.com/index.html>.*

* cited by examiner

Primary Examiner — Kendra Leslie Hamilton
(74) Attorney, Agent, or Firm — Zhihua Han; Wen IP LLC

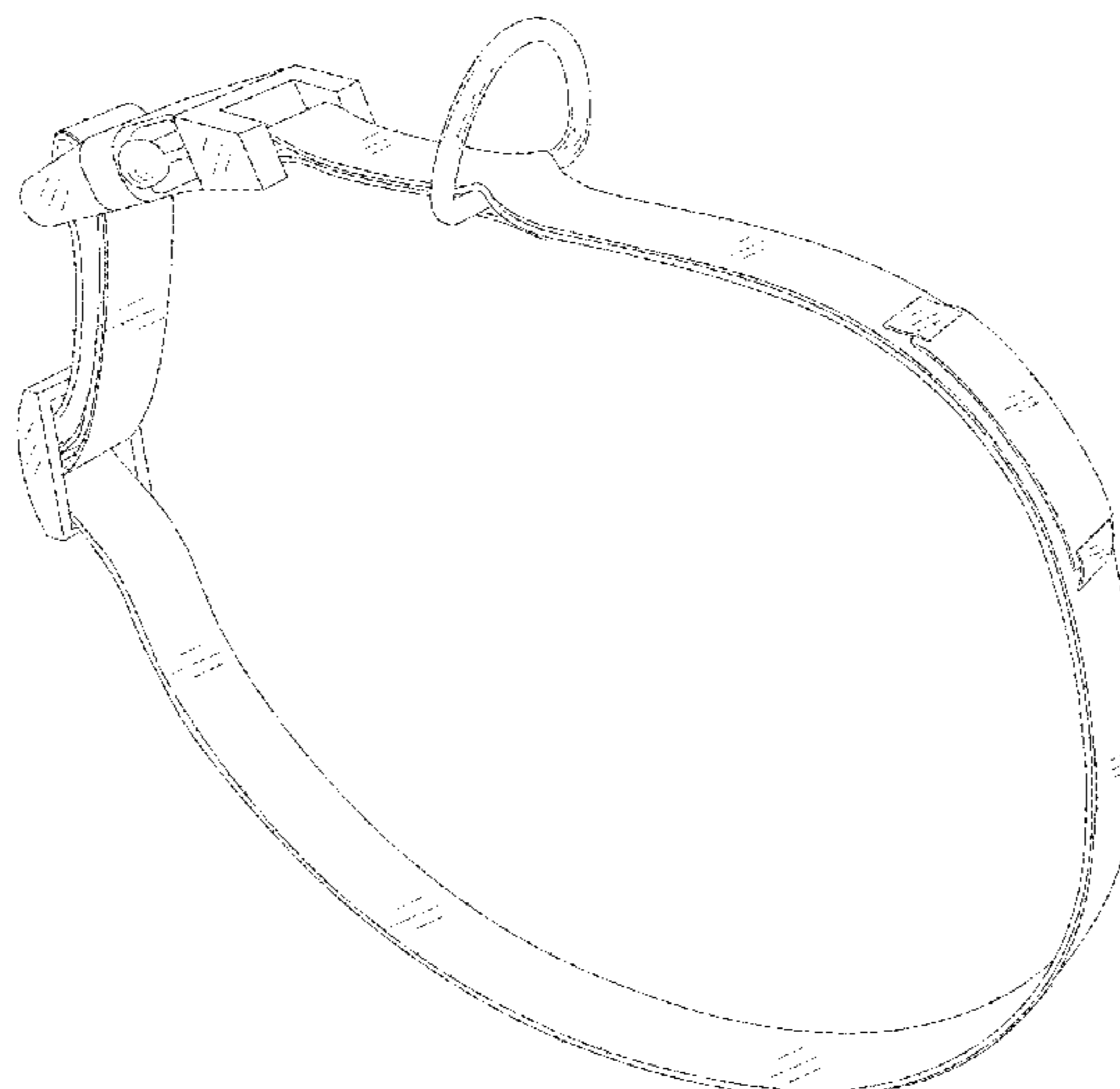
(57) **CLAIM**

The ornamental design for an animal collar, as shown and described.

DESCRIPTION

FIG. 1 is a perspective view of an animal collar, showing my new design;
FIG. 2 is a front elevation view thereof.
FIG. 3 is a rear elevation view thereof;
FIG. 4 is a left side elevation view thereof;
FIG. 5 is a right side elevation view thereof;
FIG. 6 is a top plan view thereof; and,
FIG. 7 is a bottom plan view thereof.

1 Claim, 7 Drawing Sheets



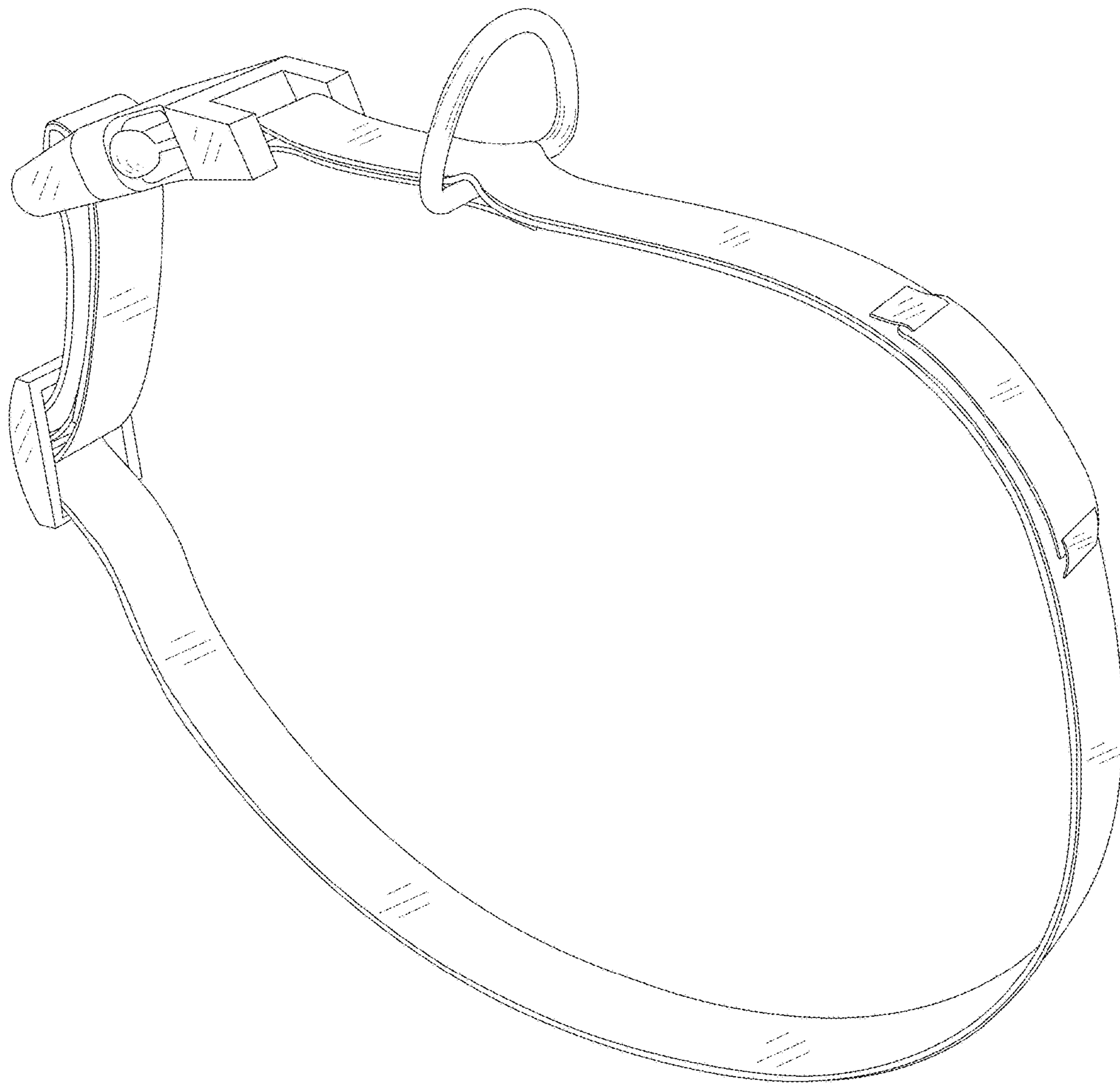


FIG. 1

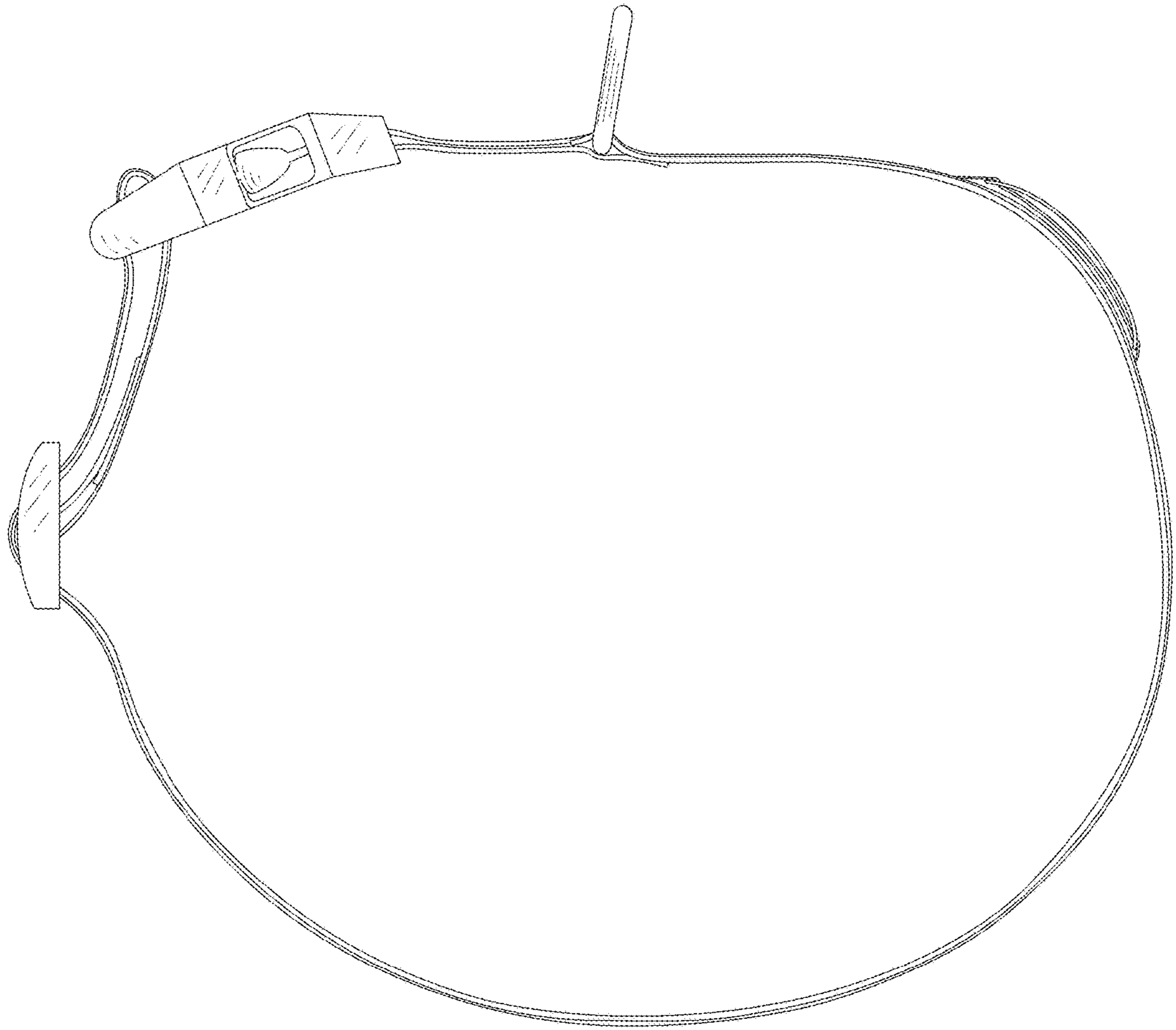


FIG. 2

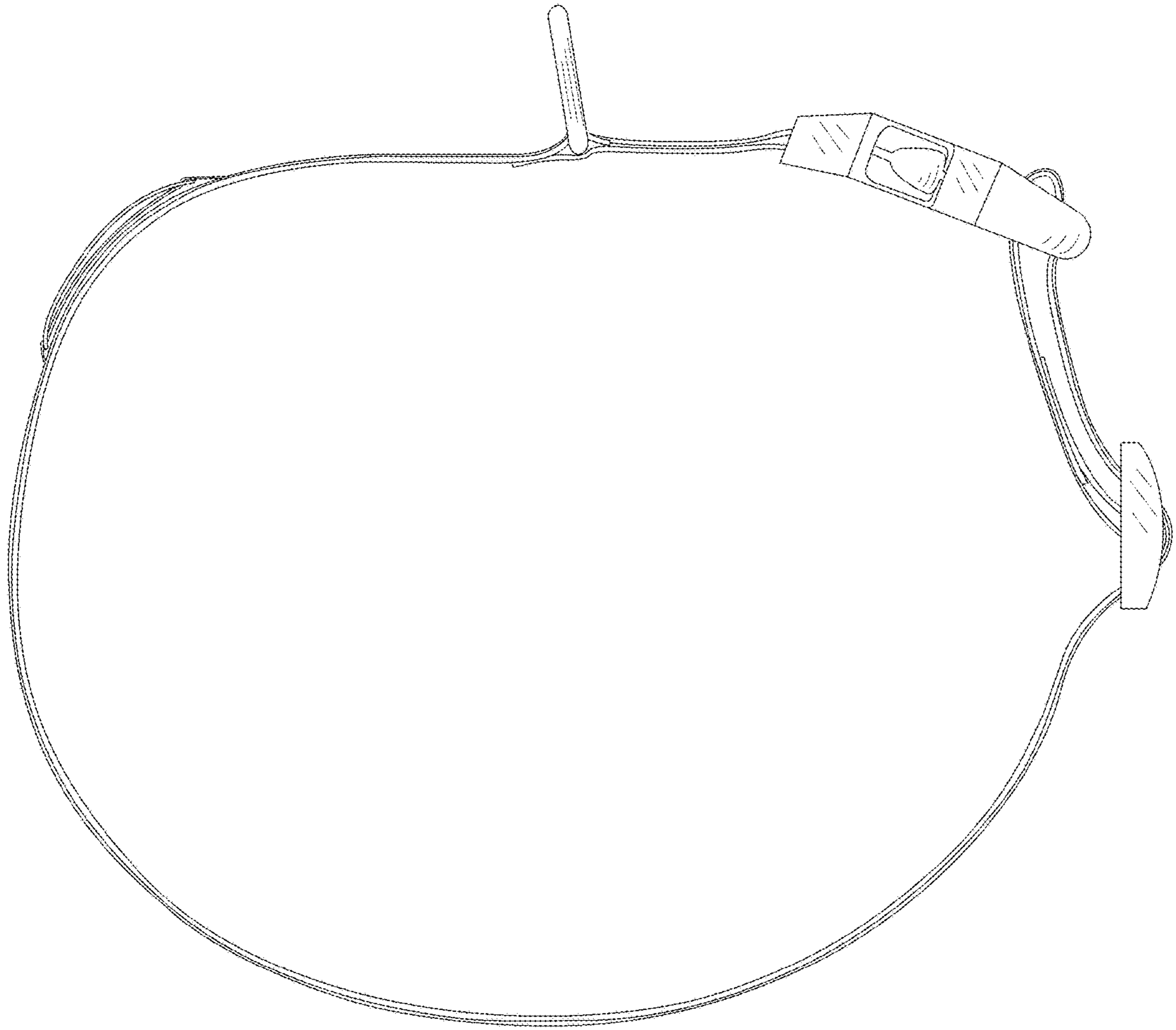


FIG. 3

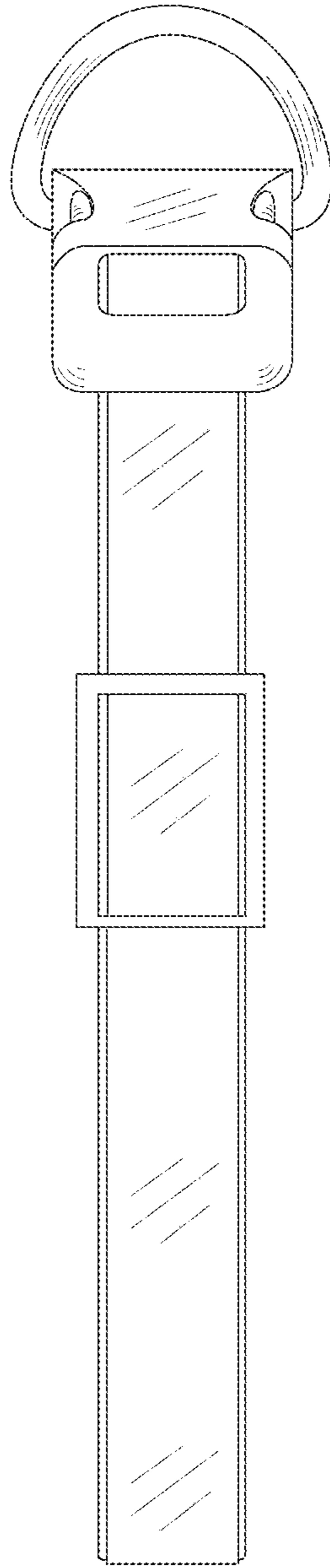


FIG. 4

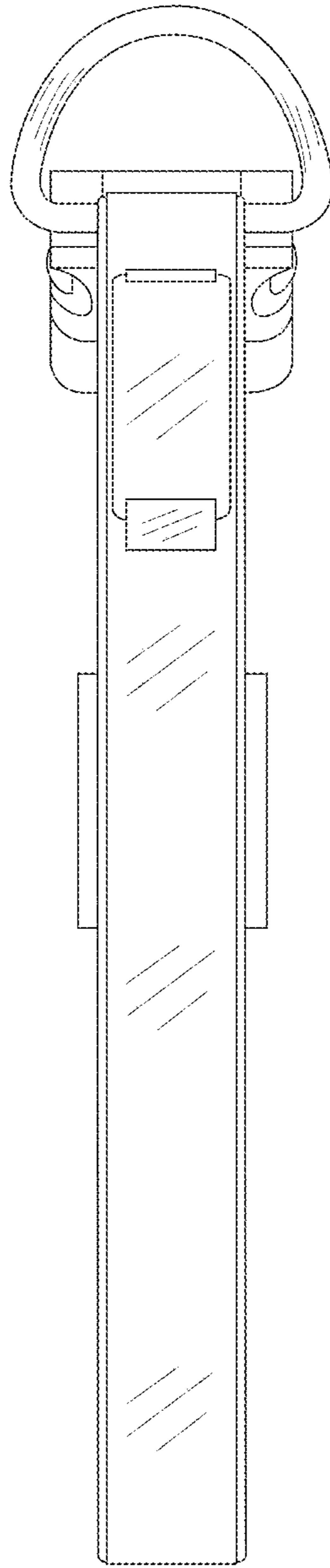


FIG. 5

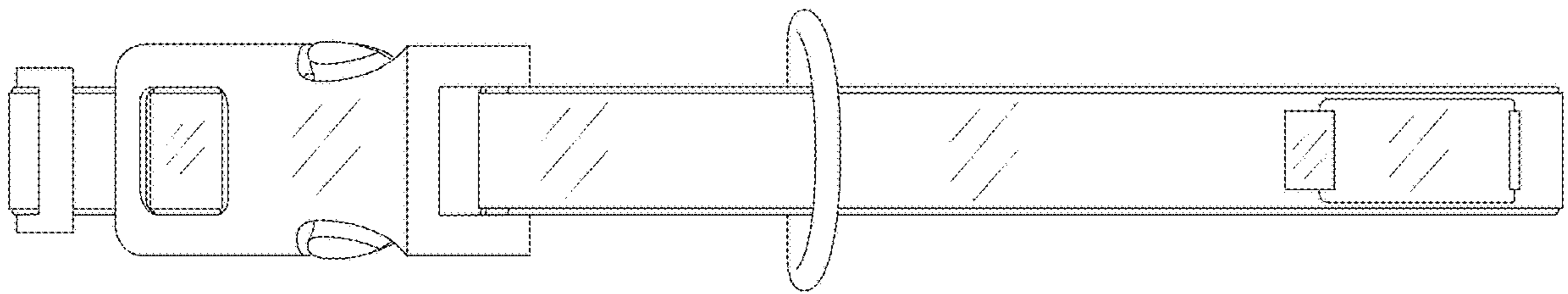


FIG. 6

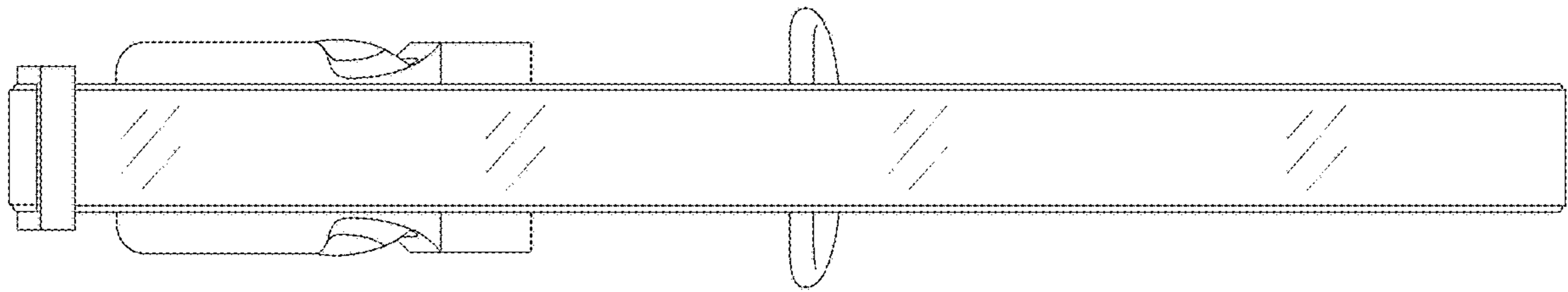


FIG. 7