



US00D951555S

(12) **United States Design Patent**
Zhuo

(10) **Patent No.:** **US D951,555 S**
(45) **Date of Patent:** **** May 10, 2022**

(54) **PET TRAVEL WATER BOTTLE**
(71) Applicant: **XIAMEN SHENGFEINA TRADING CO., LTD.**, Xiamen (CN)
(72) Inventor: **Zhibin Zhuo**, Putian (CN)
(73) Assignee: **XIAMEN SHENGFEINA TRADING CO., LTD.**, Xiamen (CN)

215/228, 231, 235, 319–383, 386, DIG. 7,
215/388, 6, 316; 4/258, 259, 267;
206/459.1, 459.5, 501
CPC . A01K 7/00; A01K 7/005; A01K 7/02; A01K
7/022; A01K 7/06; A01K 39/0213; A01K
39/02; B65D 41/26; B65D 41/265; B65D
41/28; B65D 41/32; B65D 41/325; B65D
41/34; B65D 41/56; B65D 51/20;
(Continued)

(**) Term: **15 Years**

(56) **References Cited**

(21) Appl. No.: **29/786,869**

U.S. PATENT DOCUMENTS

(22) Filed: **Jun. 3, 2021**

4,794,880 A * 1/1989 Atchley A01K 1/0356
119/72.5

(51) **LOC (13) Cl.** **30-03**

D322,868 S * 12/1991 Johnson D30/132

(52) **U.S. Cl.**

(Continued)

USPC **D30/132**

(58) **Field of Classification Search**

OTHER PUBLICATIONS

USPC D30/121–133; 119/51.01, 61, 51.04, 53,
119/57.91, 54, 53.5, 52.4, 51.11, 63, 61.2,
119/52.1, 57.5, 57.6, 51.13, 62, 75, 500,
119/501, 72, 72.5, 74, 78–81; 239/7,
239/687, 379, 397.5; 222/199, 181.1,
222/181.2, 185.1, 557, 156, 485, 486,
222/548, 555, 207, 205, 424, 438, 48,
222/206, 212, 215, 460, 461, 525, 86, 89;
220/200, 227, 247, 262, 694, 700, 701,
220/703, 660–662, 521, 705, 709, 287,
220/523, 574; 221/174, 185.1, 289, 295,
221/296, 559; 454/35; 209/270, 283,
209/244; 52/194, 192; 49/279, 344, 357;
D34/28; D9/417, 414, 424, 428, 436,
D9/440, 442, 447, 456, 454, 455, 730,
D9/731, 733, 715, 531, 549, 516, 523,
D9/530, 538, 541, 544, 559, 719, 716;
D7/589, 300, 300.1, 302–305, 312, 316,
D7/317, 507–512, 523, 524, 528, 700,
D7/681; D3/132, 201, 203.2, 202, 228,
D3/229, 269, 274, 316, 321, 328;
D15/143, 199; D28/4, 7, 9; D19/66;
141/343, 331, 340, 384, 330, 332, 383,
141/311 R, 313, 338, 344, 345; 210/455;

PETKIT Waterer <https://petkit.com/products/eversweet-travel-1> 2022
(Year: 2022).*

(Continued)

Primary Examiner — Susan Moon Lee

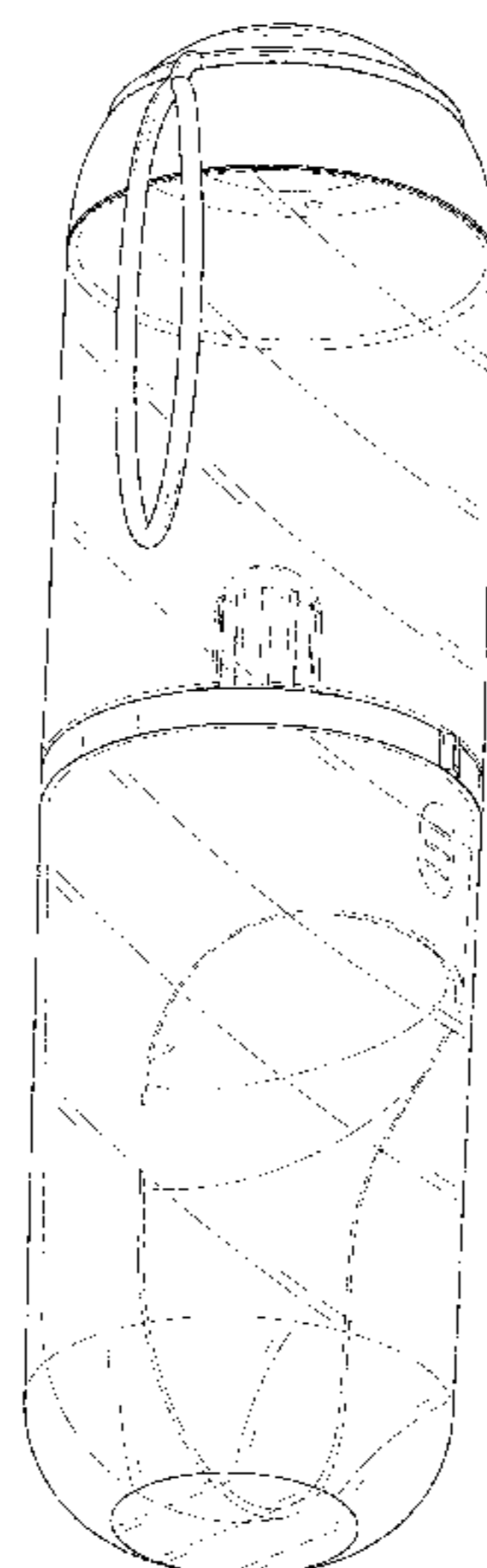
(57) **CLAIM**

The ornamental design for a pet travel water bottle, as shown
and described.

DESCRIPTION

FIG. 1 is a perspective view of a pet travel water bottle
showing my new design;
FIG. 2 is another perspective view thereof;
FIG. 3 is a front elevational view thereof;
FIG. 4 is a rear devotional view thereof;
FIG. 5 is a left side elevational view thereof;
FIG. 6 is a right side elevational view thereof;
FIG. 7 is a top plan view thereof; and,
FIG. 8 is a bottom plan view thereof.

1 Claim, 8 Drawing Sheets



(58) **Field of Classification Search**

CPC B65D 51/249; B65D 51/24; B65D 51/28;
B65D 47/243; B65D 2205/04; B65D
21/0238; B65D 81/3205; B65D 81/3216;
B65D 71/50; B65D 77/2024; B65D
43/0212; B65D 2517/0049; B65D
2543/00046; B65D 2543/00092; B65D
2543/00537; B65D 2543/00731; B65D
2543/00796; B65D 2577/205; A61J 9/00;
A61J 9/006; A61J 9/001; A61J 9/003;
A61J 11/04; A61J 19/00; B65B 39/00;
B65B 39/001; B65B 39/005; B65B
39/007; B67C 11/02; G01F 11/286; B67B
7/28; A47G 19/2266; A47G 2019/277

See application file for complete search history.

(56) **References Cited**

U.S. PATENT DOCUMENTS

D577,584 S * 9/2008 Porter D9/453
D675,481 S * 2/2013 Enghard D7/510

D711,740 S * 8/2014 Lien D9/446
D774,834 S * 12/2016 Breit D7/587
9,894,879 B2 * 2/2018 Sanderson A01K 7/00
D854,256 S 7/2019 Flores
D856,083 S * 8/2019 Lawson-Shanks D7/532
D861,258 S * 9/2019 Liang D30/129
D871,839 S * 1/2020 Sun D30/129
D892,412 S * 8/2020 Guo D30/132
D917,108 S 4/2021 Xie
D917,794 S * 4/2021 Jin D30/129
D936,296 S * 11/2021 Chen D30/132
D945,084 S * 3/2022 Ren D30/129
2021/0068367 A1 * 3/2021 Gong A01K 7/00

OTHER PUBLICATIONS

JaxPlanet Puppy Water Dispenser with Filter <https://jaxplanet.com/products/puppy-water-dispenser-nbwb1-pet-travel-water-bottle-with-filter> 2022 (Year: 2022).*

* cited by examiner

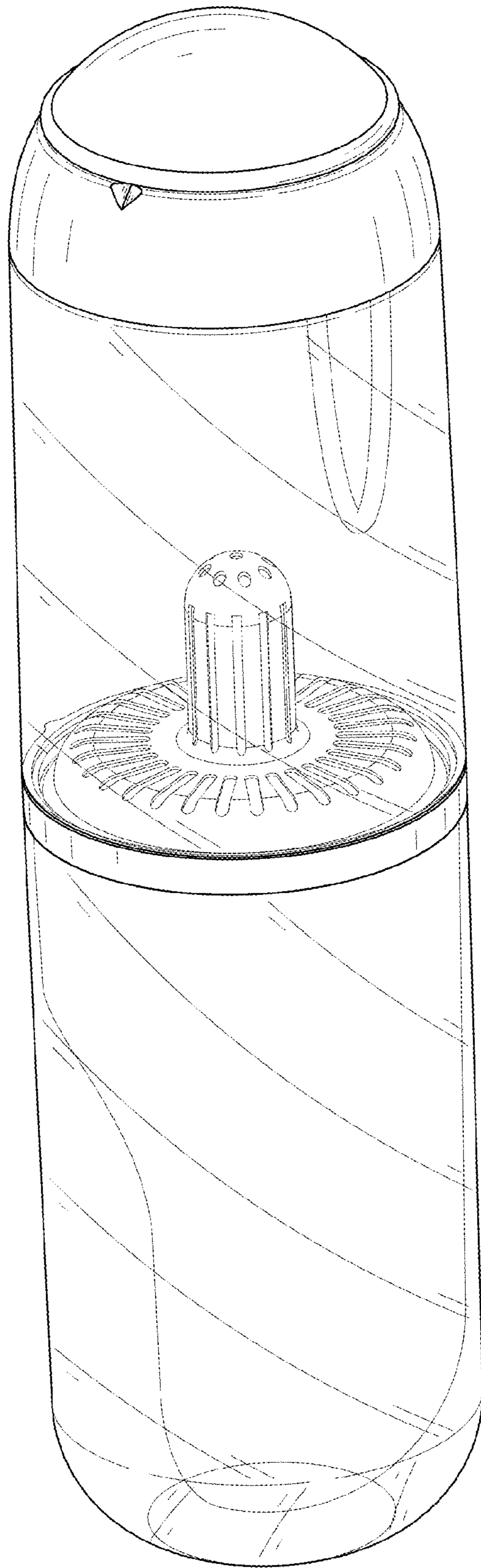


FIG. 1

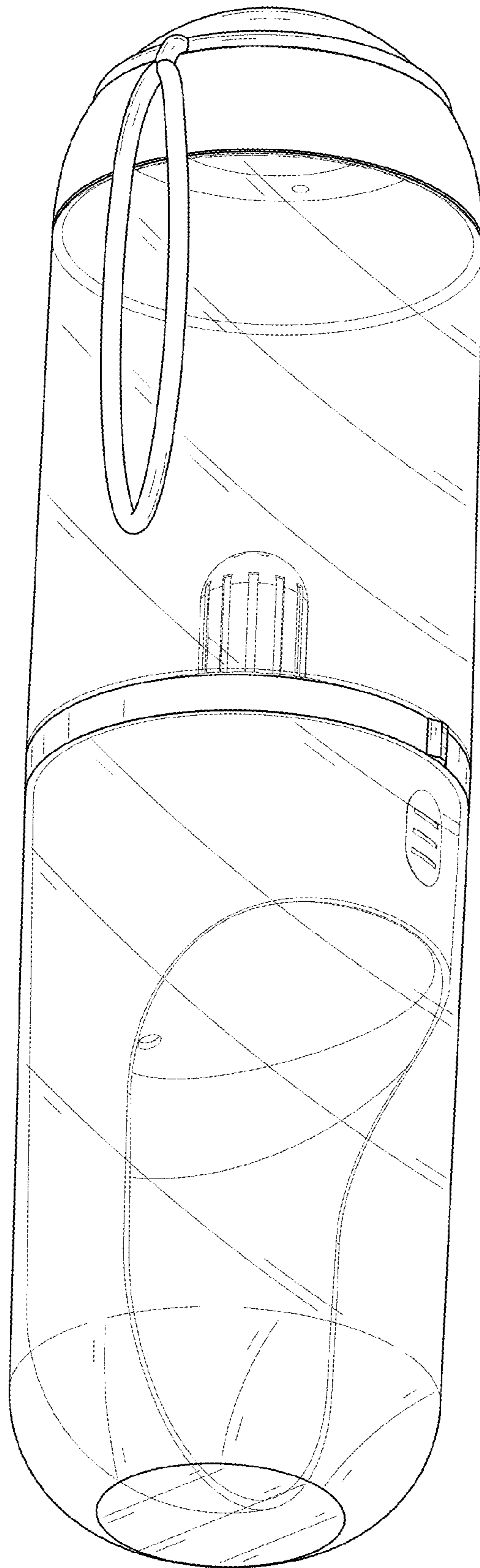


FIG. 2

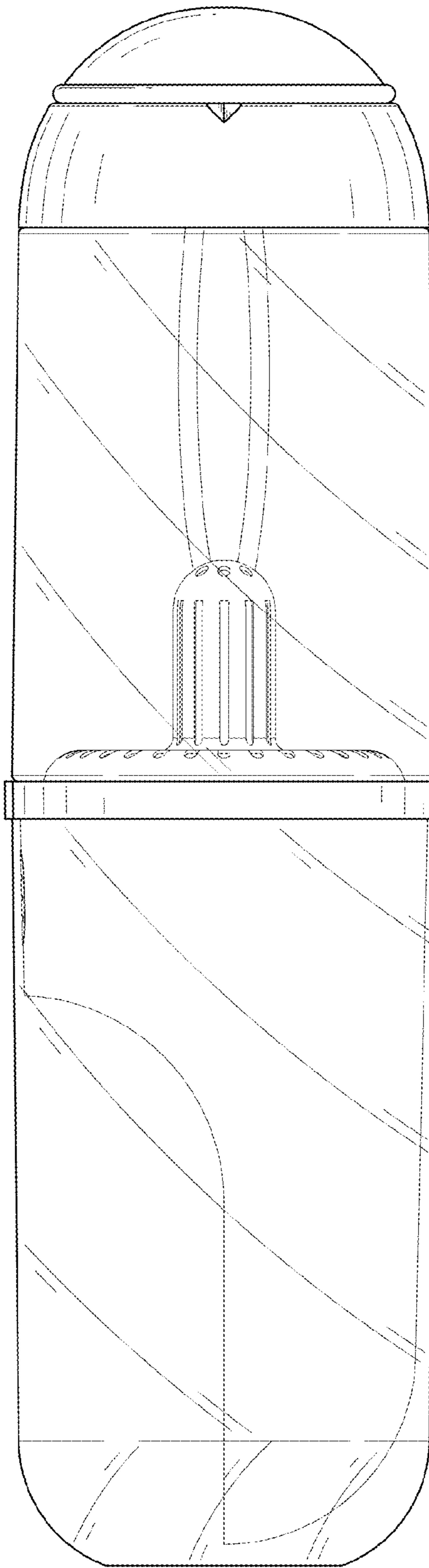


FIG. 3

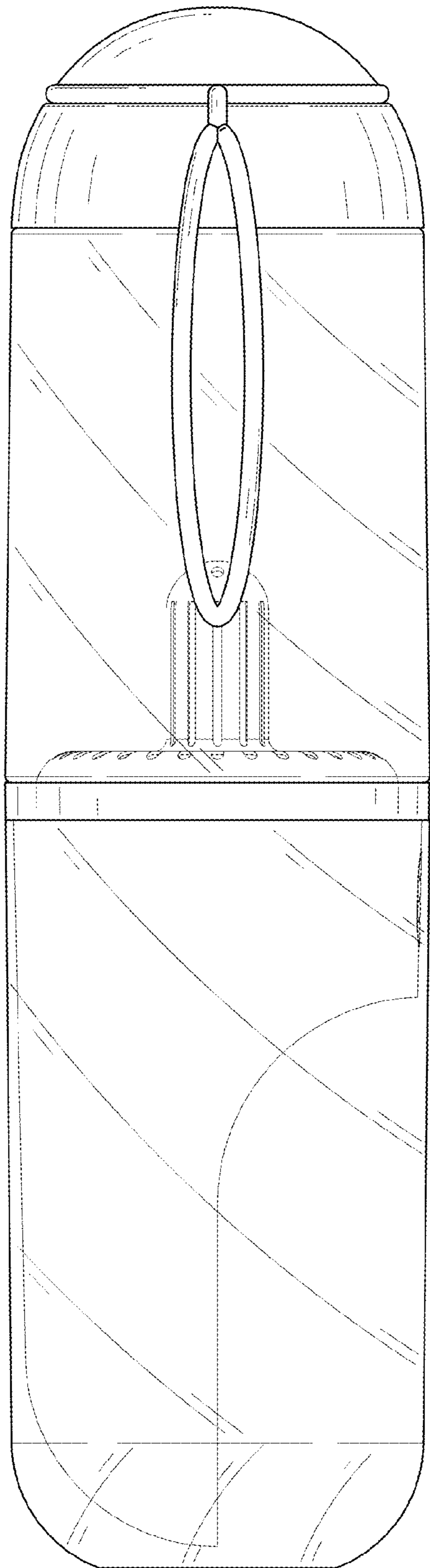


FIG. 4

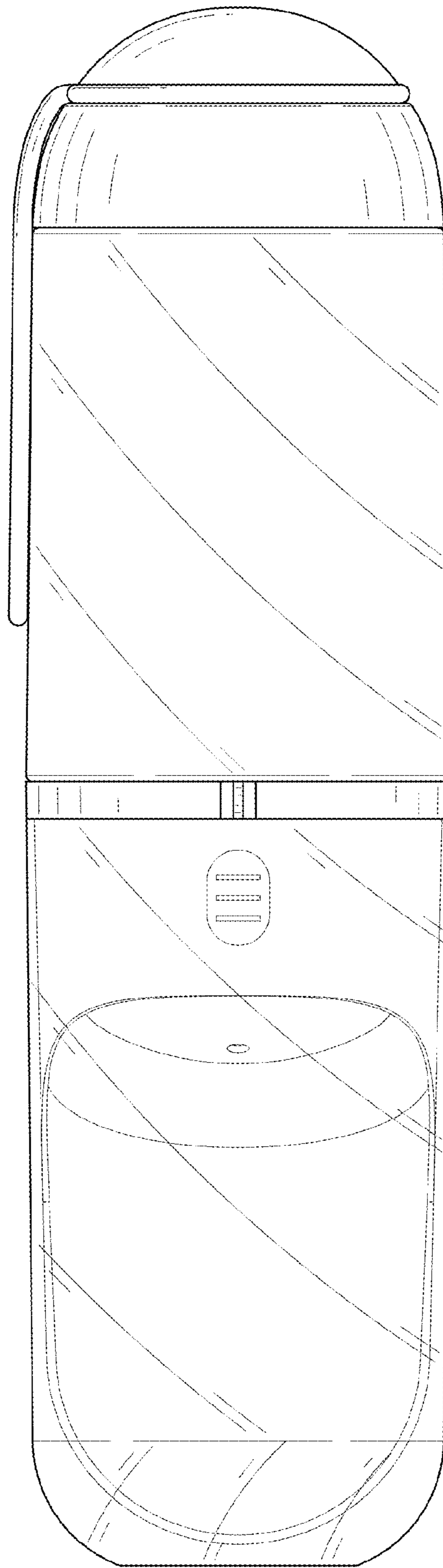


FIG. 5

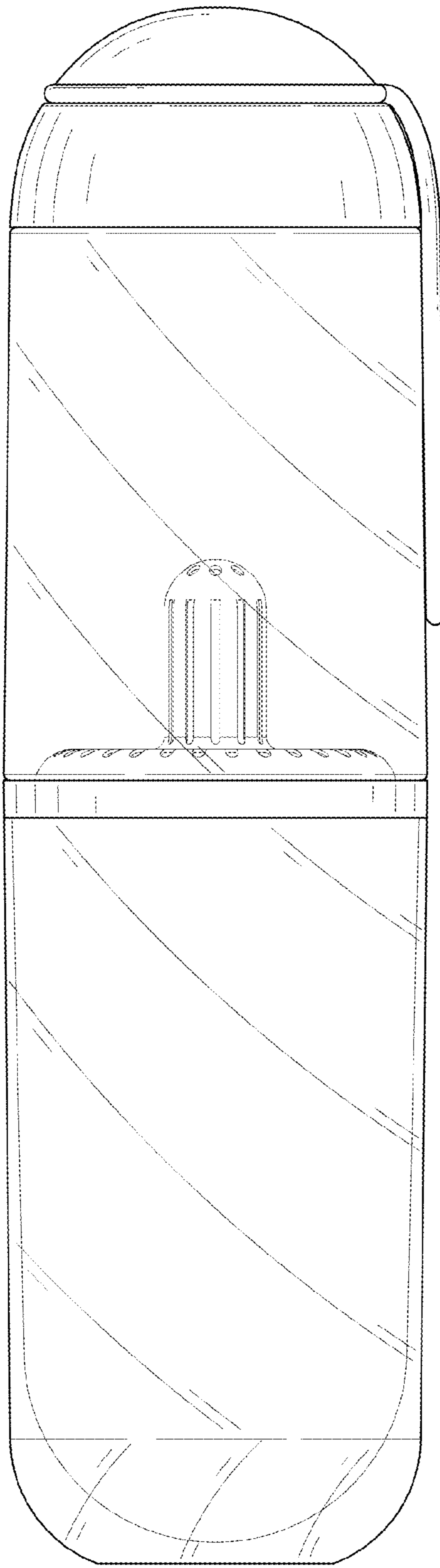


FIG. 6

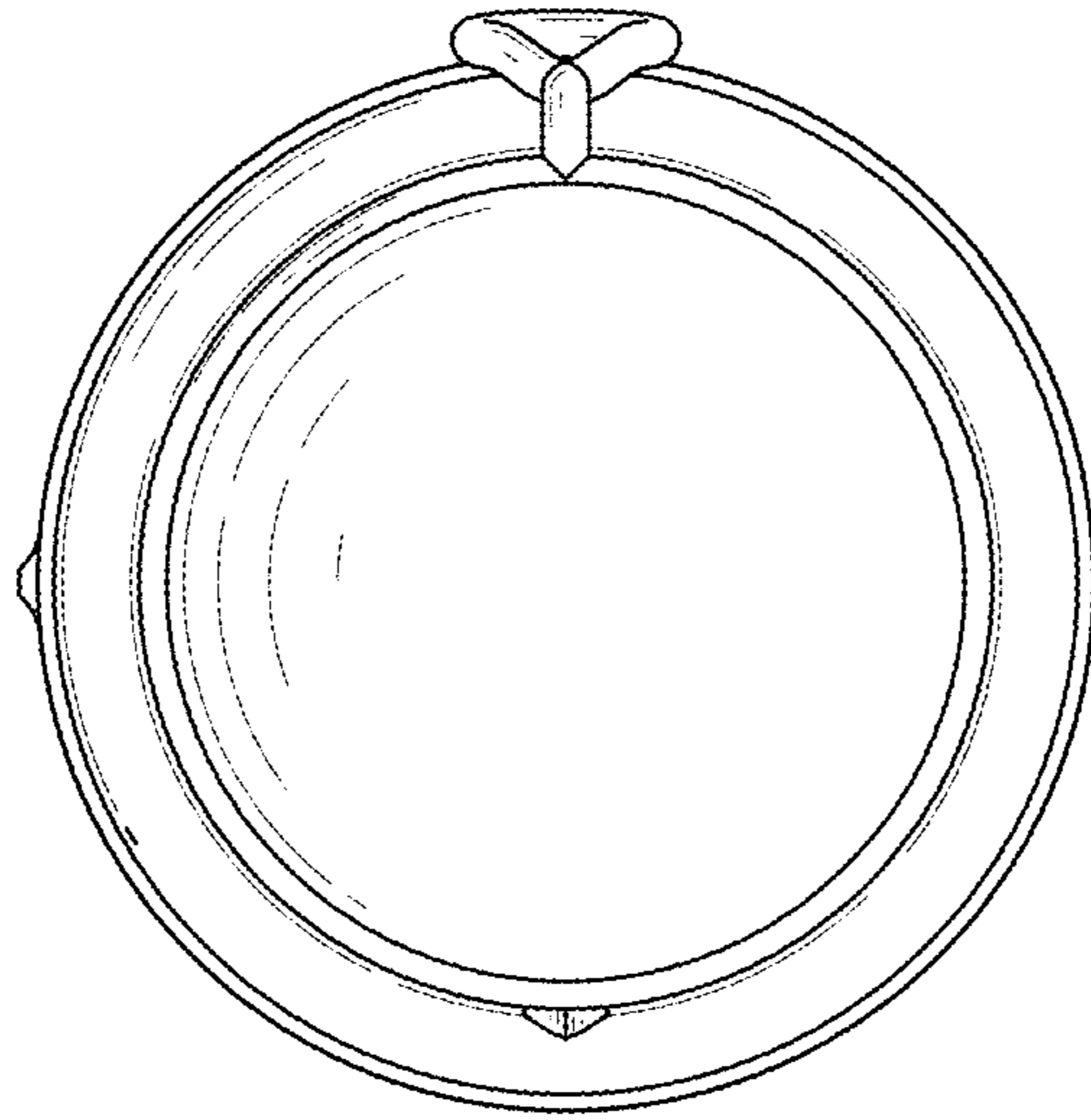


FIG. 7

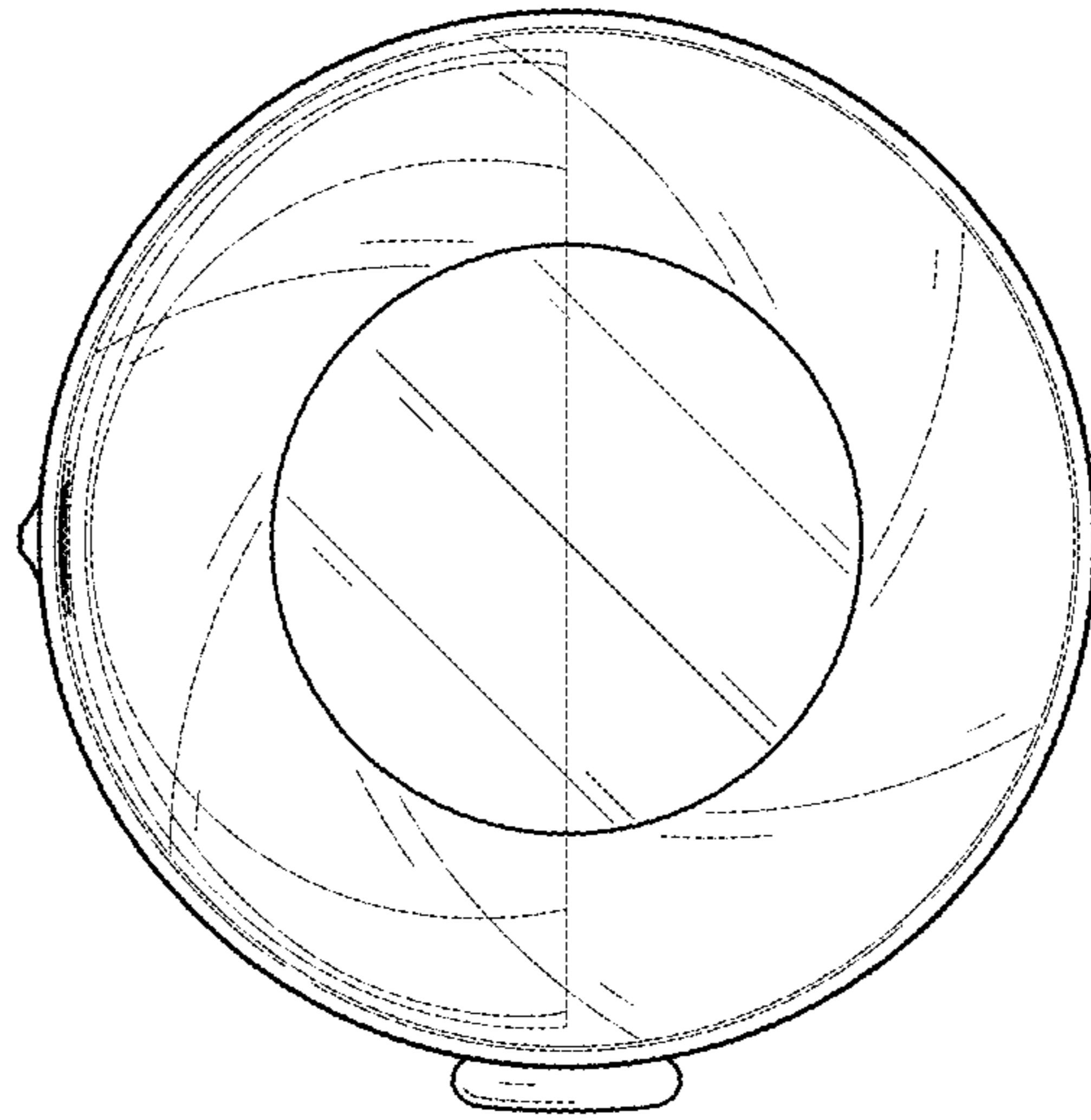


FIG. 8