



US00D951554S

(12) **United States Design Patent** (10) **Patent No.:** **US D951,554 S**  
**Wilson** (45) **Date of Patent:** **\*\* May 10, 2022**

(54) **AQUATIC FEEDER DEVICE** 8,166,921 B2 \* 5/2012 Biggs ..... A01G 9/12  
119/246

(71) Applicant: **World Feeds Limited**, Doncaster (GB) 9,089,116 B2 \* 7/2015 Tuan ..... A01K 61/85  
9,351,480 B2 \* 5/2016 Tuan ..... A01K 61/85

(72) Inventor: **Mark Wilson**, Doncaster (GB) 2007/0193525 A1 \* 8/2007 Vaccari ..... A01K 61/85  
119/51.04

(73) Assignee: **WORLD FEEDS LIMITED**,  
Doncaster (GB) 2013/0284101 A1 \* 10/2013 Bagnall ..... A01K 61/85  
119/61.57  
2014/0261215 A1 \* 9/2014 Tuan ..... A01K 63/06  
119/245

(\*\*) Term: **15 Years** 2016/0219842 A1 \* 8/2016 Yim ..... A01K 61/80  
2019/0098878 A1 \* 4/2019 Liao ..... A01K 63/047  
2021/0015080 A1 \* 1/2021 Senecal ..... F04F 10/02  
2022/0000080 A1 \* 1/2022 Otterlei ..... G01N 21/85

(21) Appl. No.: **29/756,004**

(22) Filed: **Oct. 23, 2020**

(51) **LOC (13) Cl.** ..... **30-03**

(52) **U.S. Cl.**  
USPC ..... **D30/121**; D30/106

(58) **Field of Classification Search**  
USPC ..... D30/106, 121, 131, 133, 108, 109, 199;  
119/51.04, 6.7, 256, 702, 60, 65, 51.01,  
119/61.1, 58, 59, 66, 67, 51.5, 68, 69;  
220/4.22, 480; 229/120, 120.1; D7/409,  
D7/601; 211/181.1; 414/24.5; D3/205,  
D3/301, 276, 290, 291, 900, 901;  
190/18 A, 100, 109, 107, 127, 900, 115;  
D22/121  
CPC ..... A01K 61/85; A01K 61/80; A01K 61/53;  
A01K 63/006; Y02A 40/81; A01G 9/12  
See application file for complete search history.

OTHER PUBLICATIONS

ANGGREK Fish Feeder, Transparent Aquarium Feeding Tube. 2022, <https://www.walmart.com/ip/ANGGREK-Fish-Feeder-Transparent-Aquarium-Feeding-Tube-Freshwater-Saltwater-Aquarium-Fish-Tank-For-Fish-For-Small-Tropical-Fish/850750620> (Year: 2022).\*

\* cited by examiner

*Primary Examiner* — Susan Moon Lee  
(74) *Attorney, Agent, or Firm* — Hoffman Warnick LLC

(57) **CLAIM**

The ornamental design for an aquatic feeder device, as shown and described.

(56) **References Cited**

U.S. PATENT DOCUMENTS

D291,736 S \* 9/1987 Richter ..... D30/106  
D292,439 S \* 10/1987 Richter ..... D30/106  
5,544,621 A \* 8/1996 Haurilesko ..... A01K 67/033  
119/230  
5,778,824 A \* 7/1998 Musgrave ..... A01K 61/85  
119/230  
5,833,194 A \* 11/1998 Jones ..... B60N 3/106  
248/311.2  
7,651,063 B2 \* 1/2010 Jensen ..... F16B 45/00  
248/205.5

**DESCRIPTION**

FIG. 1 shows a front view of the aquatic feeder device; FIG. 2 shows a bottom view of the aquatic feeder device; FIG. 3 shows a side view of the aquatic feeder device; FIG. 4 shows a rear view of the aquatic feeder device; FIG. 5 shows an elevated perspective of the aquatic feeder device; and, FIG. 6 shows a second elevated perspective view of the aquatic feeder device.

**1 Claim, 3 Drawing Sheets**

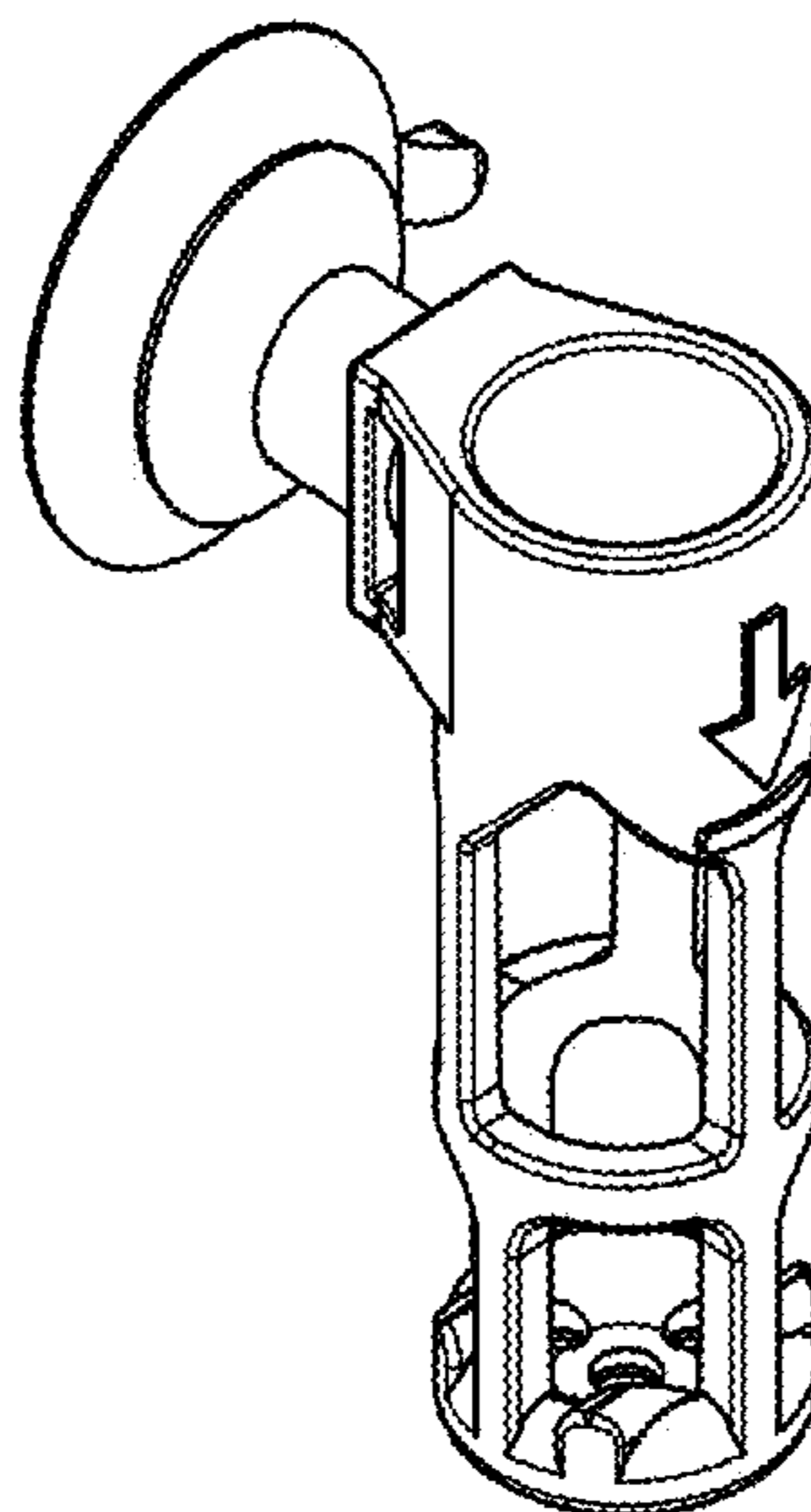


FIG. 1

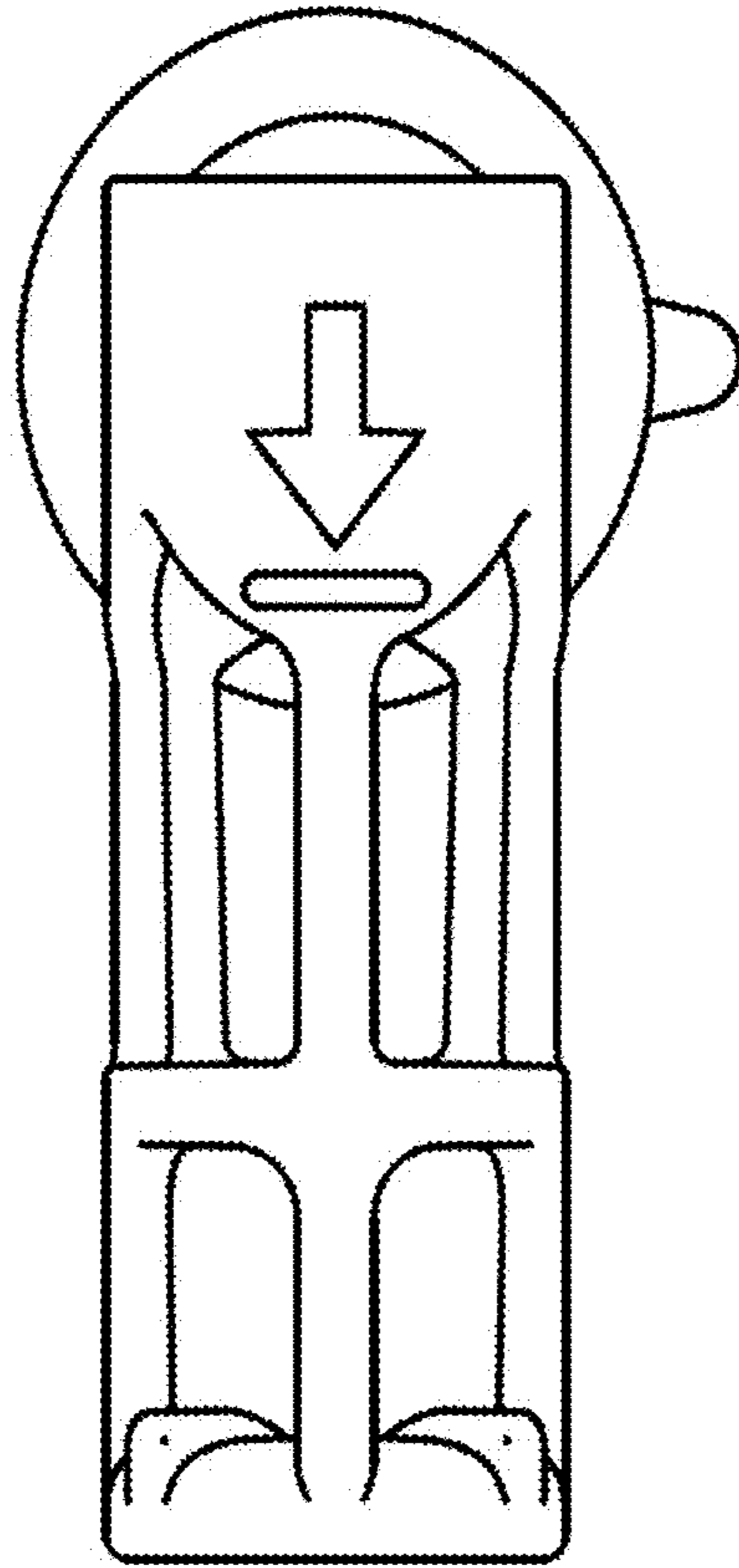


FIG. 2

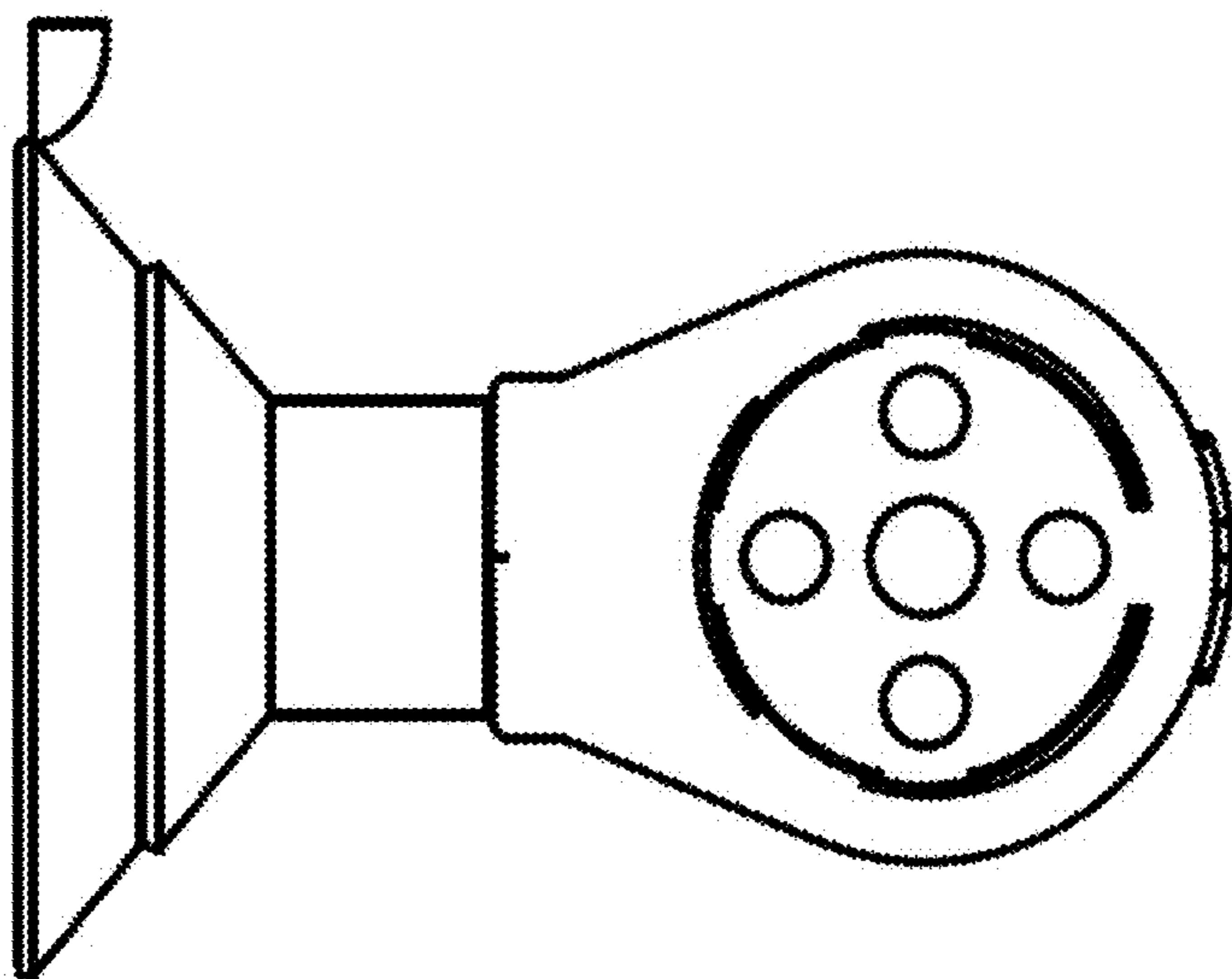


FIG. 3

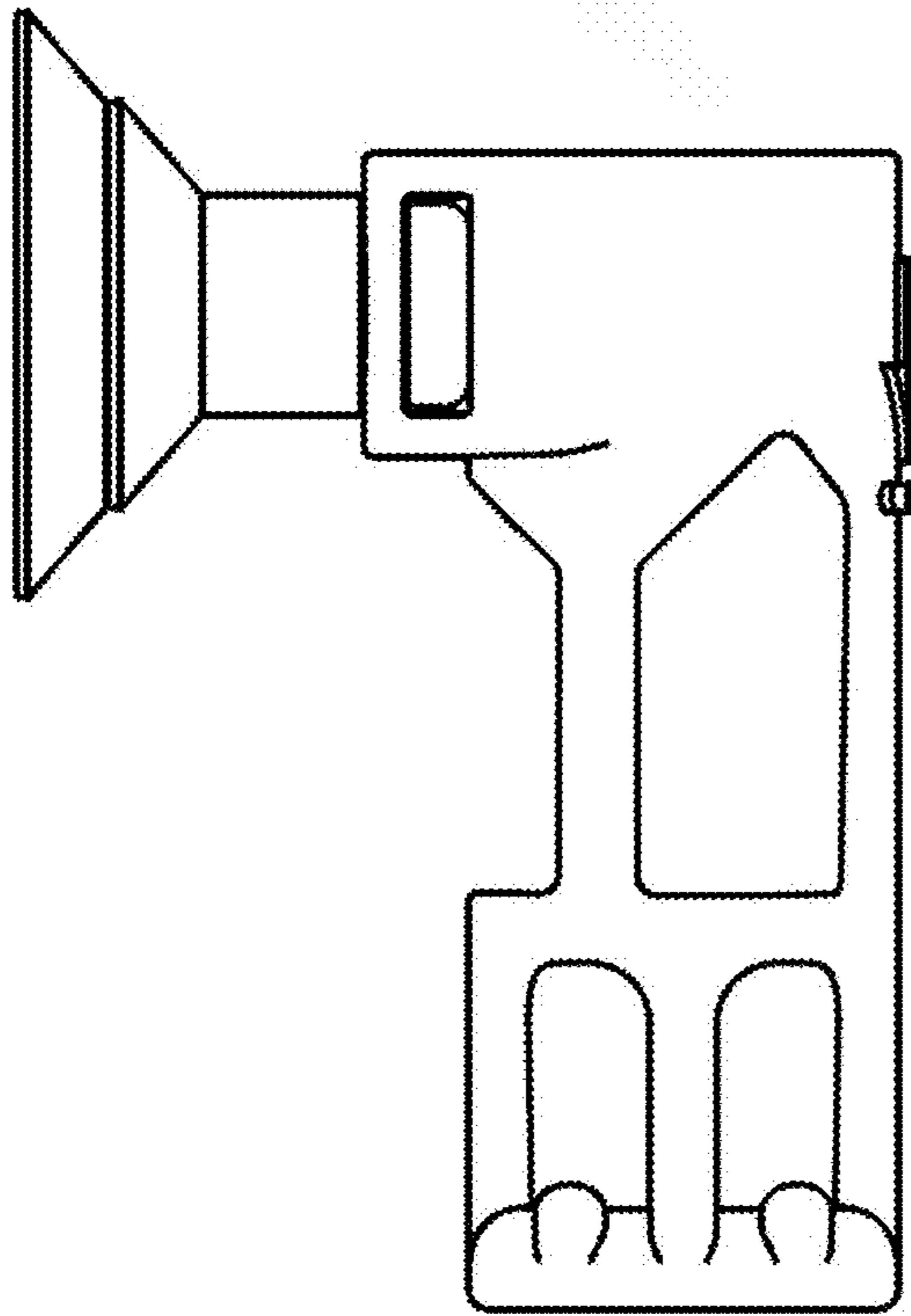


FIG. 4

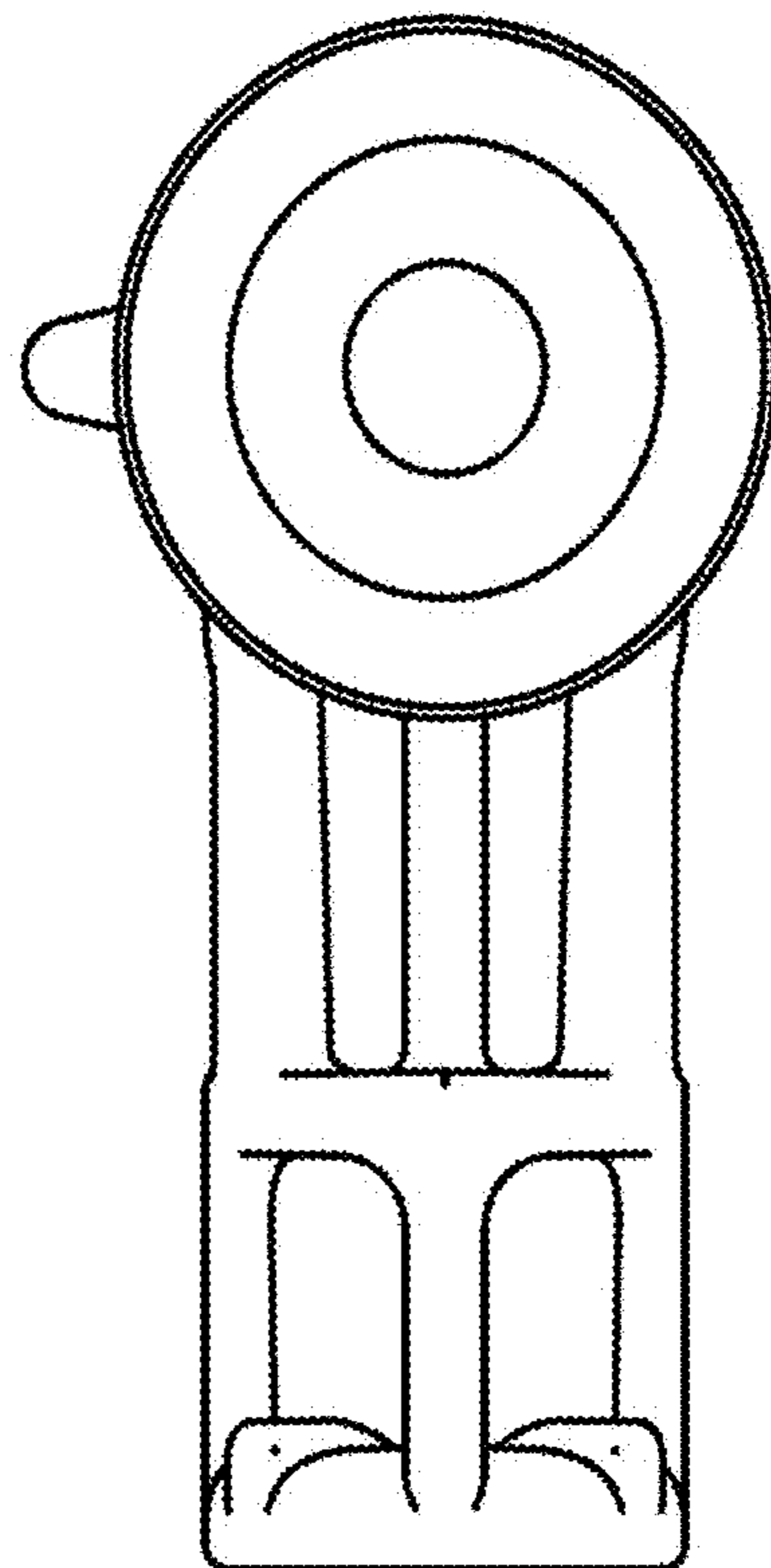


FIG. 5

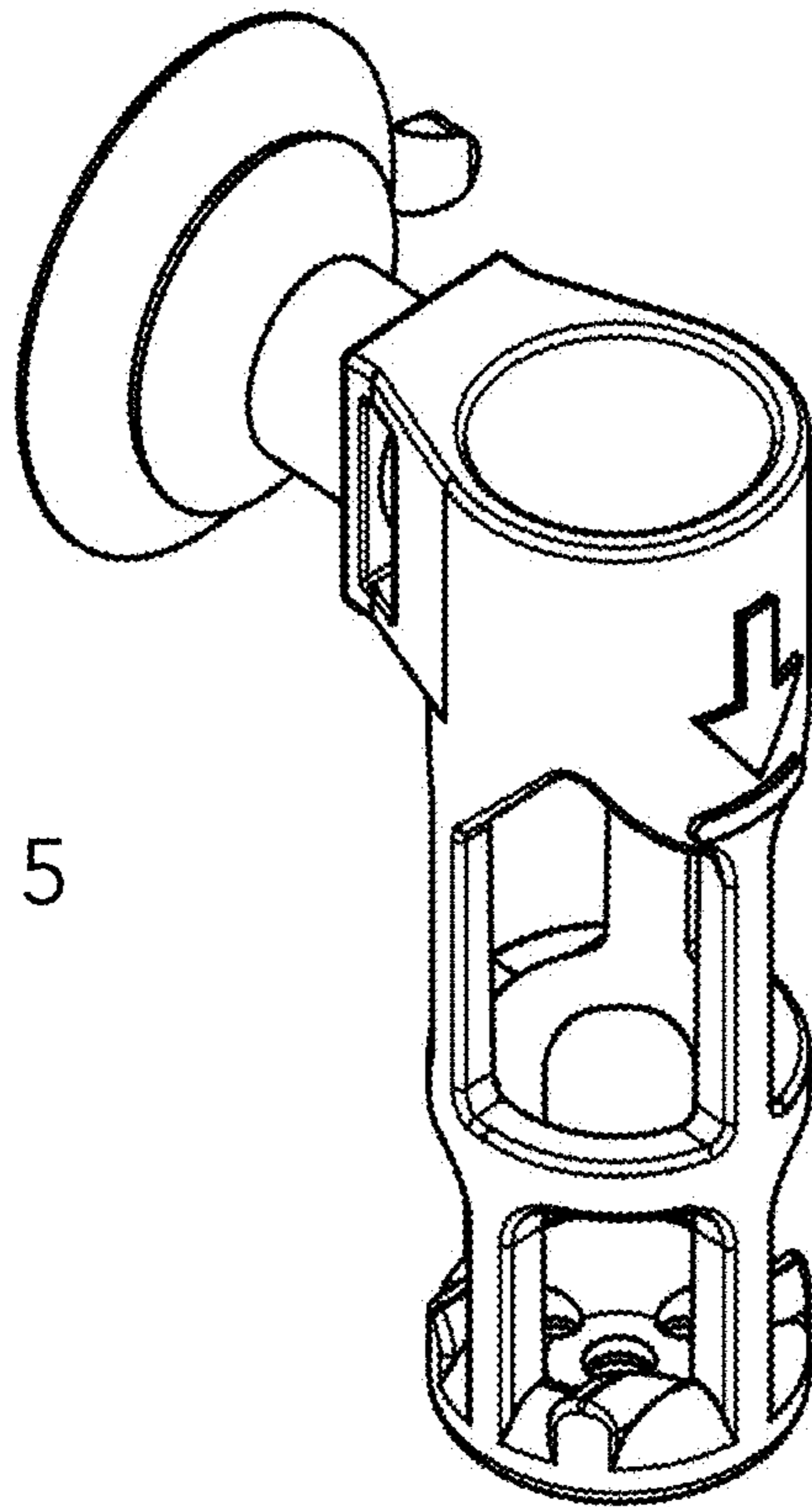


FIG. 6

