



US00D951552S

(12) **United States Design Patent**
Glover et al.

(10) **Patent No.:** **US D951,552 S**
(45) **Date of Patent:** **** May 10, 2022**

(54) **HELMET POD**

(71) Applicant: **VICIS IP, LLC**, New York, NY (US)

(72) Inventors: **Travis Glover**, Seattle, WA (US);
Marie Pahlmeyer, Seattle, WA (US);
Adam Kollgaard, Seattle, WA (US);
Kurt Fischer, Seattle, WA (US)

(73) Assignee: **VICIS IP, LLC**, New York, NY (US)

(**) Term: **15 Years**

(21) Appl. No.: **29/667,157**

(22) Filed: **Oct. 18, 2018**

(51) **LOC (13) Cl.** **02-99**

(52) **U.S. Cl.**
USPC **D29/122**

(58) **Field of Classification Search**
USPC D29/122, 102-110; D2/878

(Continued)

(56) **References Cited**

U.S. PATENT DOCUMENTS

5,232,762 A * 8/1993 Ruby A47B 96/202
428/167
5,360,653 A * 11/1994 Ackley A47C 27/146
428/71

(Continued)

OTHER PUBLICATIONS

VICIS Axis Fit System (on-line), dated Apr. 18, 2020. Retrieved from Internet Feb. 8, 2021, URL: <https://web.archive.org/web/20200418182201/https://www.vicis.com/axis-fit-system> (4 pages) (Year: 2020).*

(Continued)

Primary Examiner — Kimberly Barnes

(74) *Attorney, Agent, or Firm* — Fish & Richardson P.C.

(57) **CLAIM**

The ornamental design for a helmet pod, as shown and described.

DESCRIPTION

FIG. 1 is a front-perspective view of a first embodiment of a helmet pod showing our new design;
FIG. 2 is a back-perspective view thereof;
FIG. 3 is a front view thereof;
FIG. 4 is a rear view thereof;
FIG. 5 is a top view thereof;
FIG. 6 is a bottom view thereof;
FIG. 7 is a left-side view thereof;
FIG. 8 is the right-side view thereof;
FIG. 9 is a front-perspective view of the first embodiment showing surface shading of the contours;
FIG. 10 is a back-perspective view thereof;
FIG. 11 is a front view thereof;
FIG. 12 is a rear view thereof;
FIG. 13 is a top view thereof;
FIG. 14 is a bottom view thereof;
FIG. 15 is a left-side view thereof;
FIG. 16 is a right-side view thereof;
FIG. 17 is a front-perspective view of a second embodiment of a helmet pod;
FIG. 18 is a back-perspective view thereof;
FIG. 19 is a front view thereof;
FIG. 20 is a rear view thereof;
FIG. 21 is a top view thereof;
FIG. 22 is a bottom view thereof;
FIG. 23 is a left-side view thereof;
FIG. 24 is a right-side view thereof;
FIG. 25 is a front-perspective view of a third embodiment of a helmet pod;
FIG. 26 is a back-perspective view thereof;
FIG. 27 is a front view thereof;
FIG. 28 is a rear view thereof;
FIG. 29 is a top view thereof;
FIG. 30 is a bottom view thereof;
FIG. 31 is a left-side view thereof;
FIG. 32 is a right-side view thereof;

(Continued)

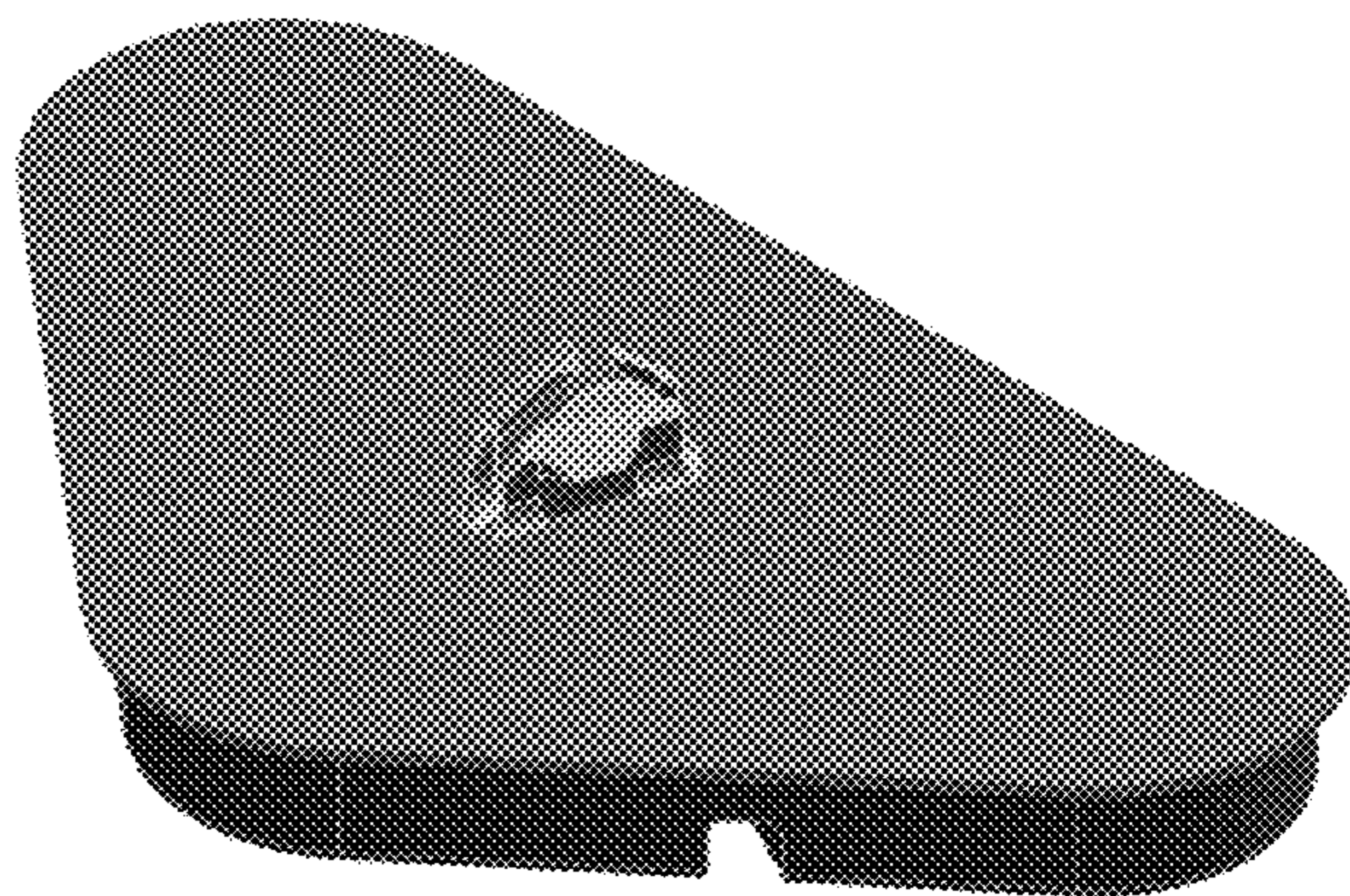
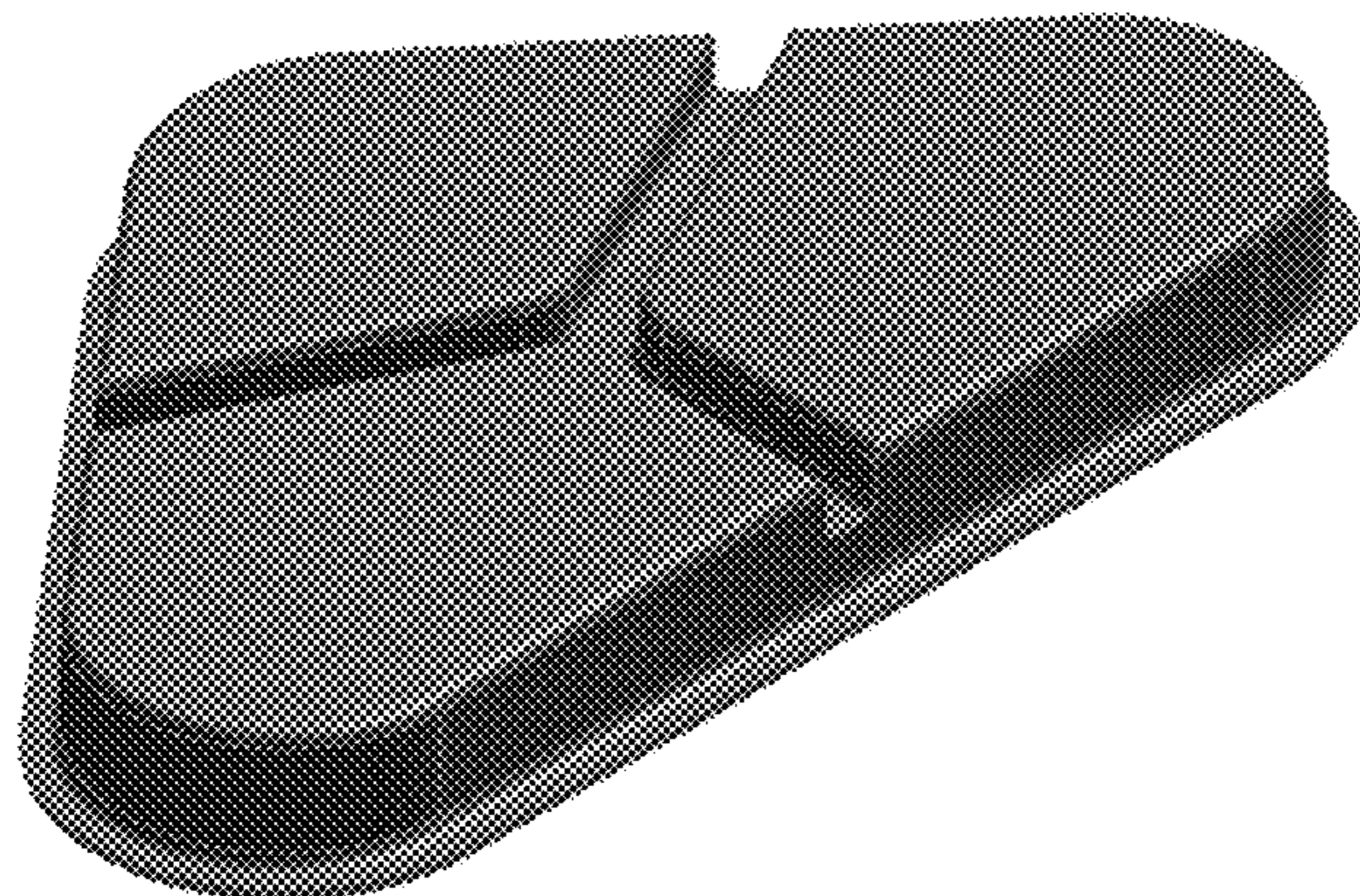


FIG. 33 is a front-perspective view of the third embodiment showing surface shading of the contours;
 FIG. 34 is a back-perspective view thereof;
 FIG. 35 is a front view thereof;
 FIG. 36 is a rear view thereof;
 FIG. 37 is a top view thereof;
 FIG. 38 is a bottom view thereof;
 FIG. 39 is a left-side view thereof;
 FIG. 40 is a right-side view thereof;
 FIG. 41 is a front-perspective view of a fourth embodiment of a helmet pod;
 FIG. 42 is a back-perspective view thereof;
 FIG. 43 is a front view thereof;
 FIG. 44 is a rear view thereof;
 FIG. 45 is a top view thereof;
 FIG. 46 is a bottom view thereof;
 FIG. 47 is a left-side view thereof;
 FIG. 48 is a right-side view thereof;
 FIG. 49 is a front-perspective view of a fifth embodiment of a helmet pod;
 FIG. 50 is a back-perspective view thereof;
 FIG. 51 is a front view thereof;
 FIG. 52 is a rear view thereof;
 FIG. 53 is a top view thereof;
 FIG. 54 is a bottom view thereof;
 FIG. 55 is a left-side view thereof;
 FIG. 56 is the right-side view thereof;
 FIG. 57 is a front-perspective view of the fifth embodiment showing surface shading of the contours;
 FIG. 58 is a back-perspective view thereof;
 FIG. 59 is a front view thereof;
 FIG. 60 is a rear view thereof;
 FIG. 61 is a top view thereof;
 FIG. 62 is a bottom view thereof;
 FIG. 63 is a left-side view thereof;
 FIG. 64 is a right-side view thereof;
 FIG. 65 is a front-perspective view of a sixth embodiment of a helmet pod;
 FIG. 66 is a back-perspective view thereof;
 FIG. 67 is a front view thereof;
 FIG. 68 is a rear view thereof;
 FIG. 69 is a top view thereof;
 FIG. 70 is a bottom view thereof;
 FIG. 71 is a left-side view thereof; and,
 FIG. 72 is a right-side view thereof.
 The surface shading is lighter in value in depicting particular features for clarity of Illustration.

The broken lines depict portions of the helmet pod that form no part of the claimed design.

1 Claim, 54 Drawing Sheets

(58) **Field of Classification Search**

CPC A42B 3/04; A42B 3/10; A42B 3/16; A42B 3/166; A42B 3/127; A42B 3/14; A42B 3/142; A42B 3/147; A42B 1/248; A42B 3/003; A42B 3/0406; A42B 3/0426; A42B 3/0433; A42B 3/0493; A42B 3/12; A42B 3/121; A42B 3/122; A42B 3/125; A42B 3/128; A42B 3/06; A61F 11/06; A63B 71/10; A41D 13/015; A41D 13/0153
 See application file for complete search history.

(56) **References Cited**

U.S. PATENT DOCUMENTS

5,477,558	A *	12/1995	Volker	A41D 13/0153 2/461
5,987,668	A *	11/1999	Ackley	A47C 27/22 428/159
7,013,487	B2 *	3/2006	Beland	A41D 13/05 2/22
D617,503	S *	6/2010	Szalkowski	D29/122
8,739,316	B1 *	6/2014	Norton	A42B 3/121 2/411
D727,570	S *	4/2015	Brett	D29/108
D821,655	S *	6/2018	Hanudel	D29/122
10,034,498	B2 *	7/2018	Turner	A41D 13/0593
10,251,433	B2 *	4/2019	Roberts	A41D 1/002
10,485,277	B2 *	11/2019	Pilon	A63B 71/1291
D874,069	S *	1/2020	Dunton	D29/122
10,709,179	B2 *	7/2020	Behrend	A41D 13/015
2008/0282439	A1 *	11/2008	Sarkies	A41D 19/01517 2/20
2014/0245527	A1 *	9/2014	Douglas	F24V 30/00 2/459
2016/0270473	A1 *	9/2016	Warmouth	A42B 3/127
2019/0059494	A1 *	2/2019	Stolker	A42B 3/00
2021/0000209	A1 *	1/2021	Neubauer	A42B 3/063
2021/0106091	A1 *	4/2021	Glover	A42B 3/127

OTHER PUBLICATIONS

Zero1 Youth Thick DLTA Pod Kit-VICIS (on-line), dated Sep. 27, 2020. Retrieved from Internet Feb. 8, 2021, URL: <https://web.archive.org/web/20200927050811/https://shop.vicis.com/collections/all-items/products/zero1-youth-zthick-pod-kit> (1 page) (Year: 2020).*

* cited by examiner

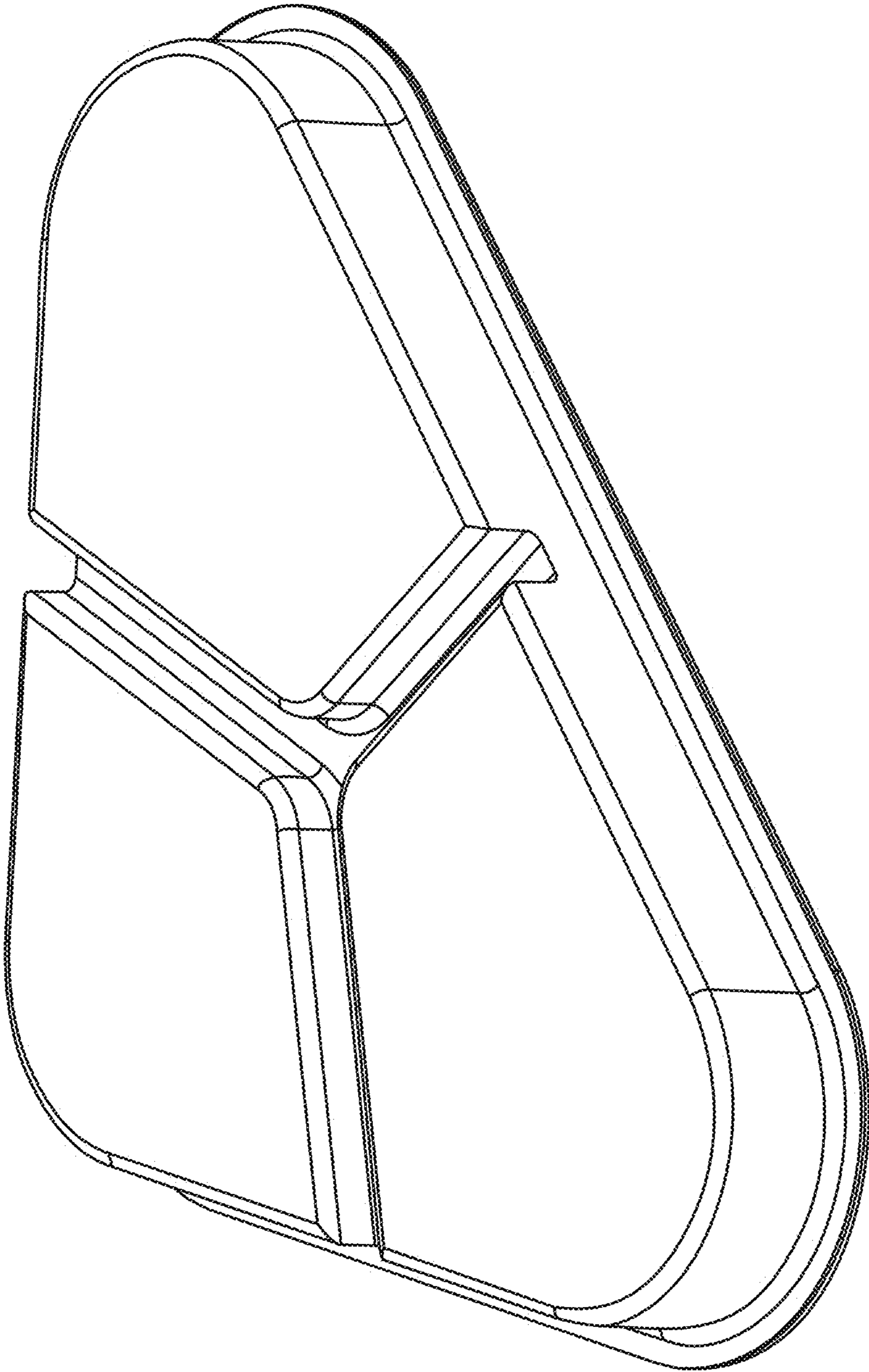


FIG. 1

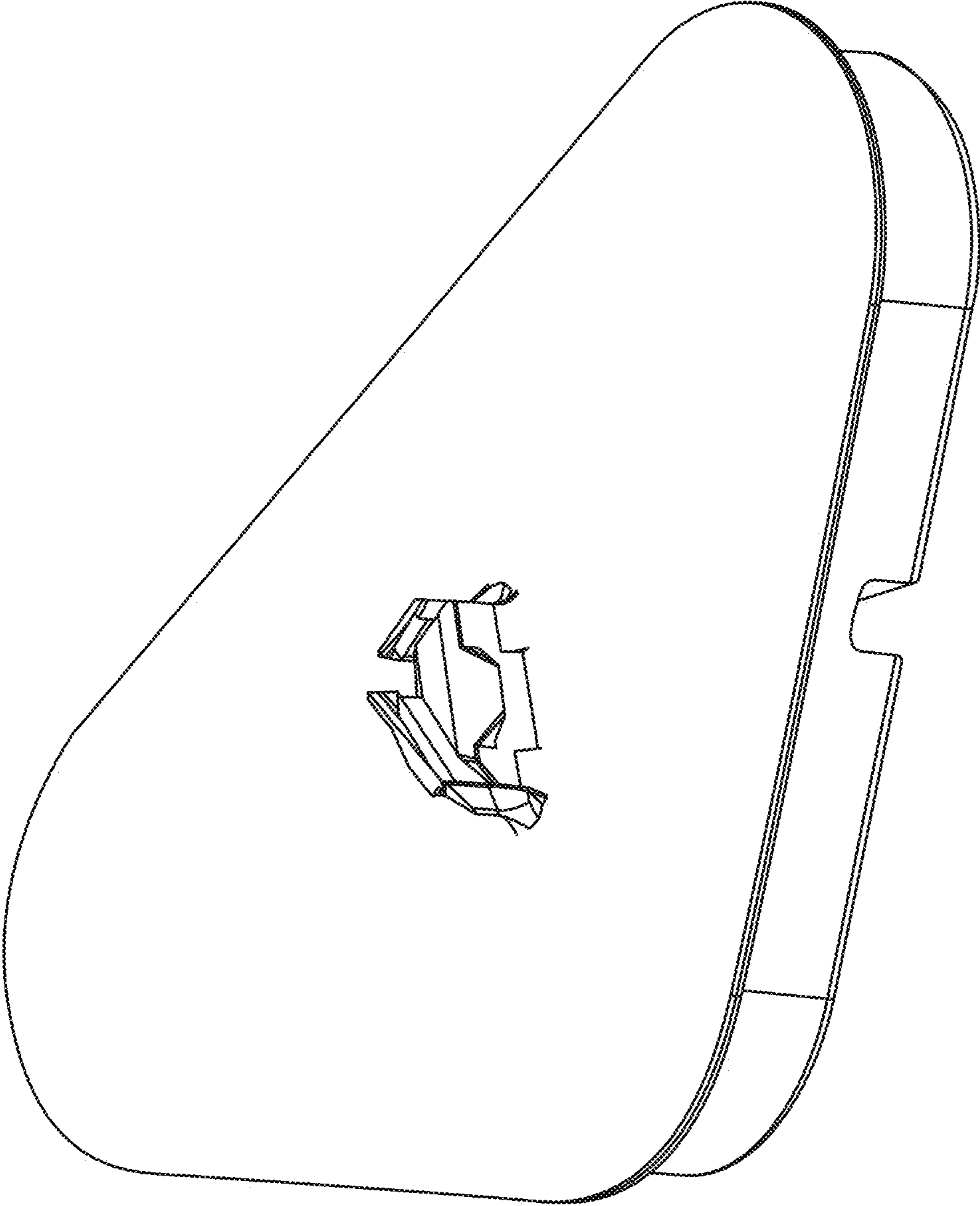


FIG. 2

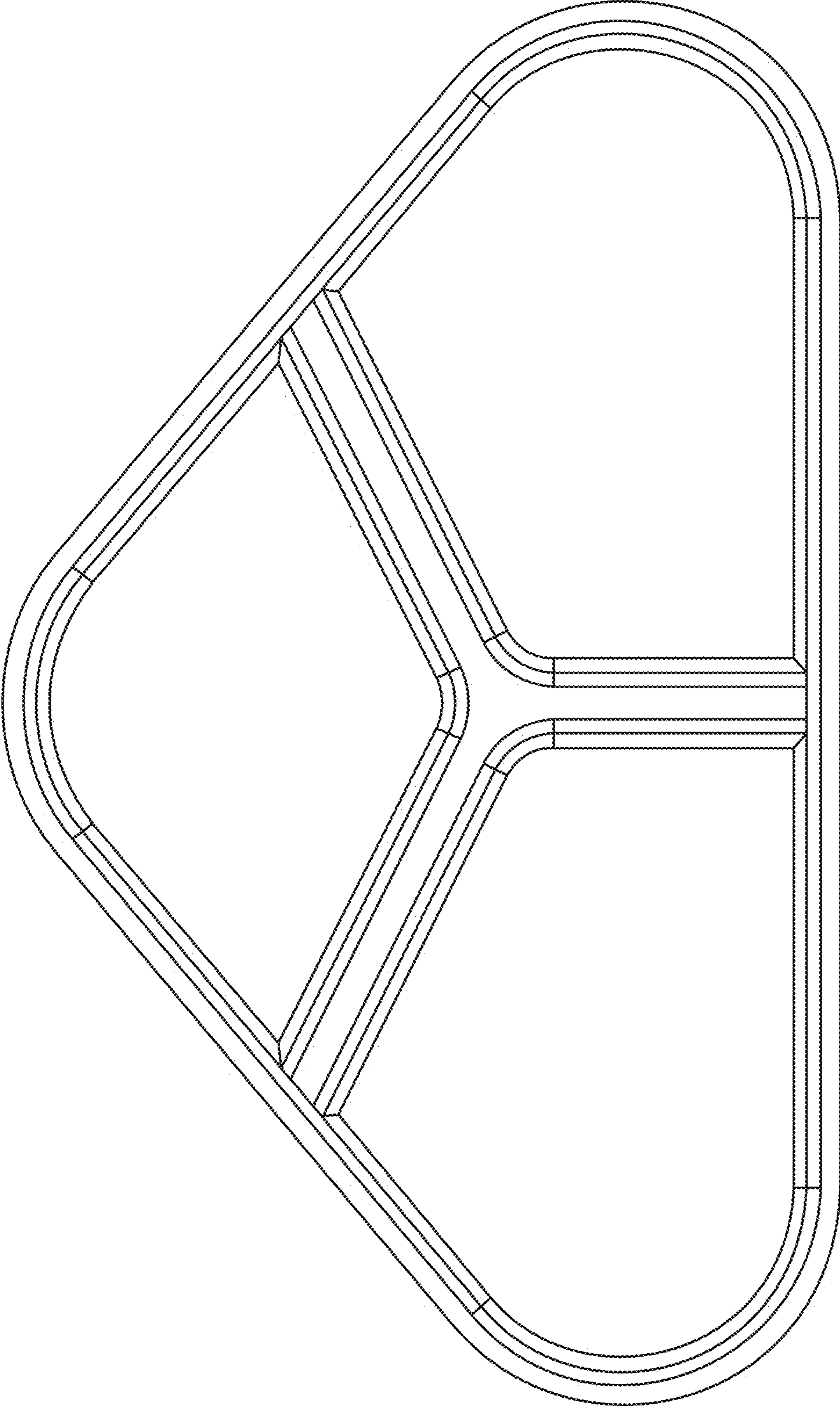


FIG. 3

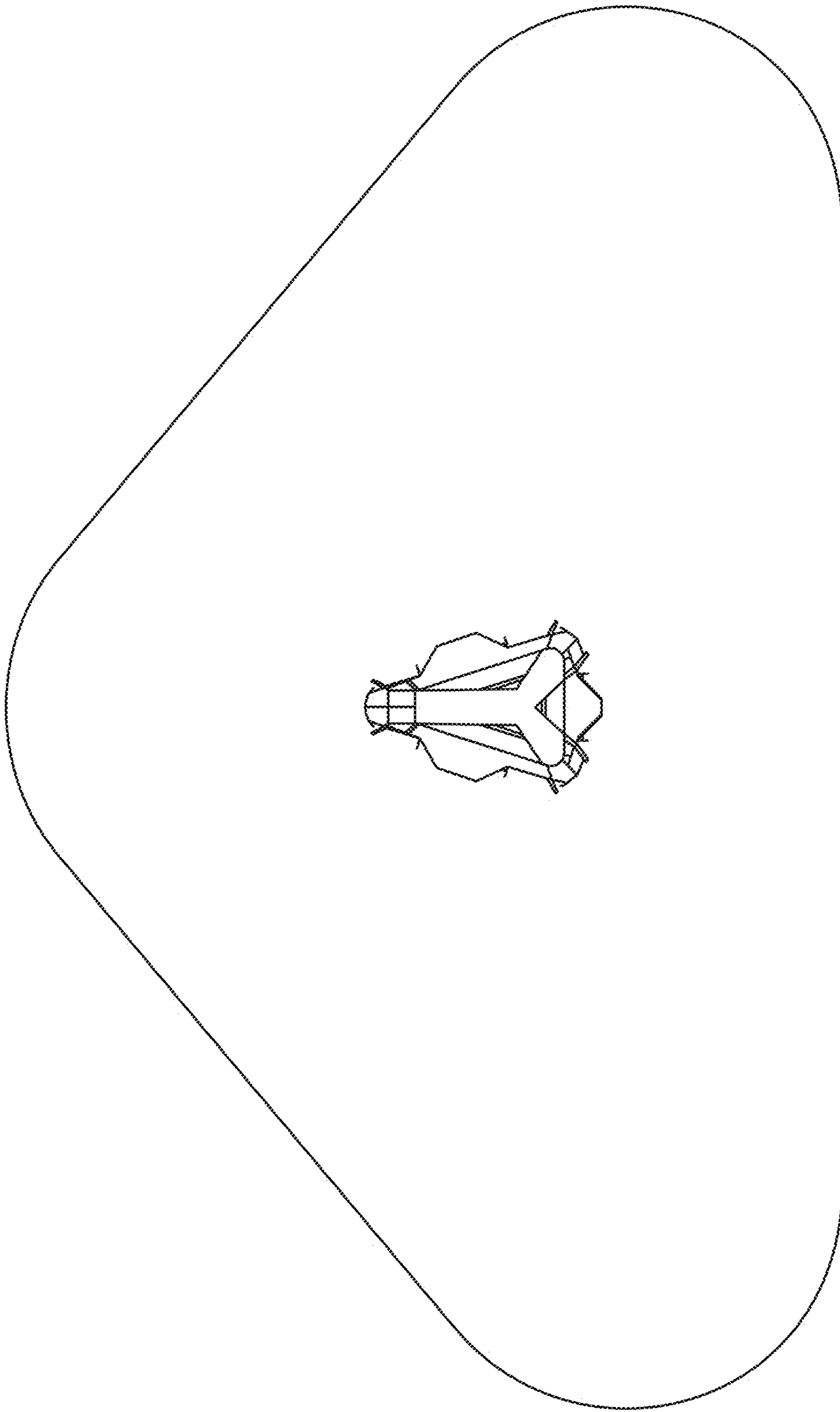


FIG. 4

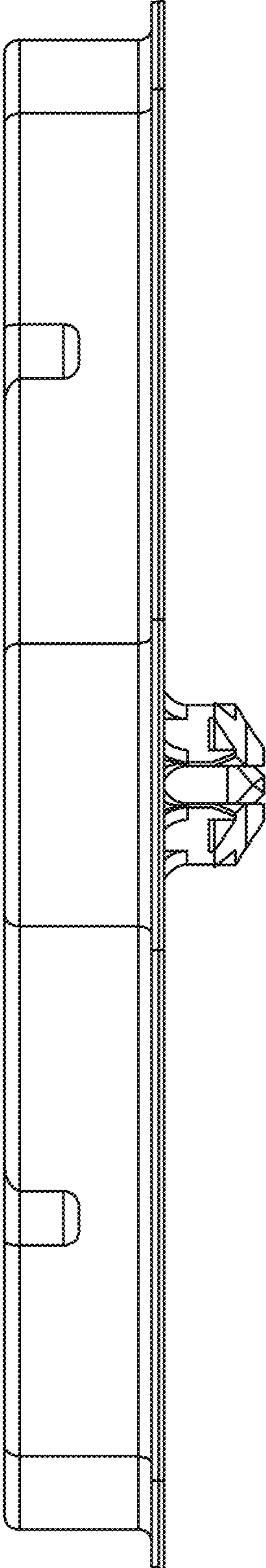


FIG. 5

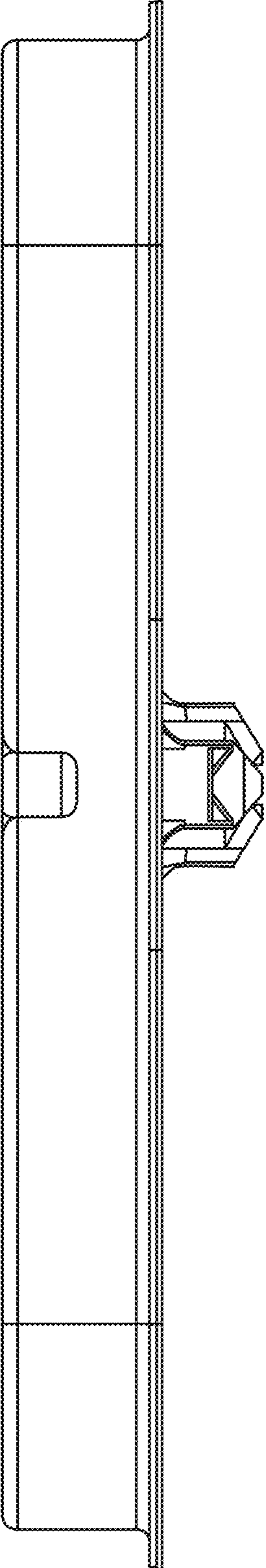


FIG. 6

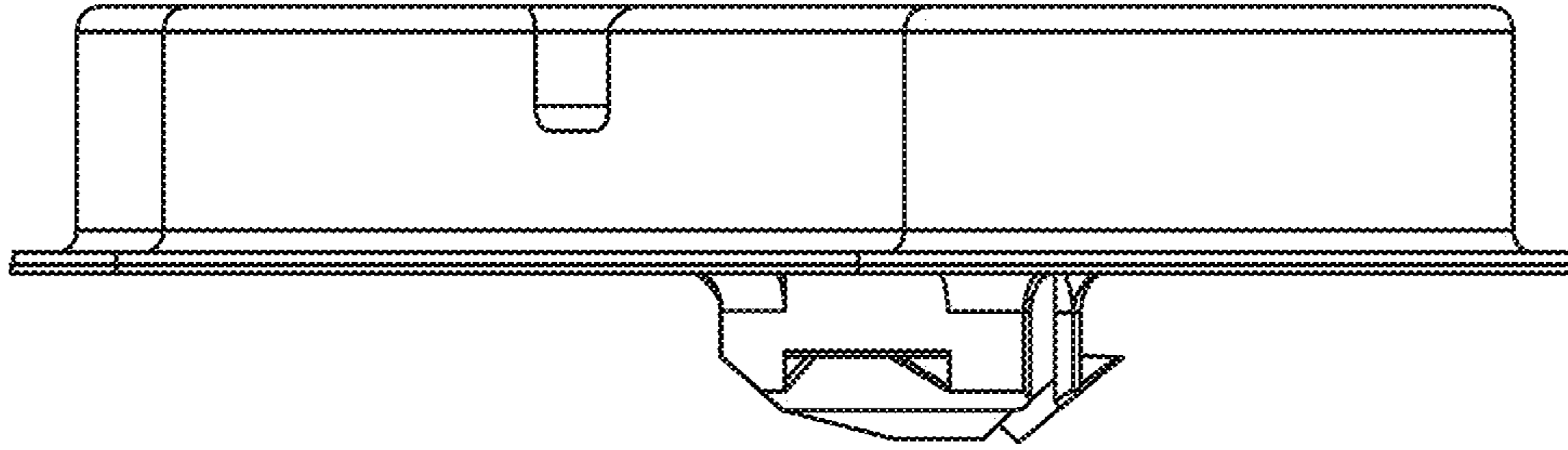


FIG. 7

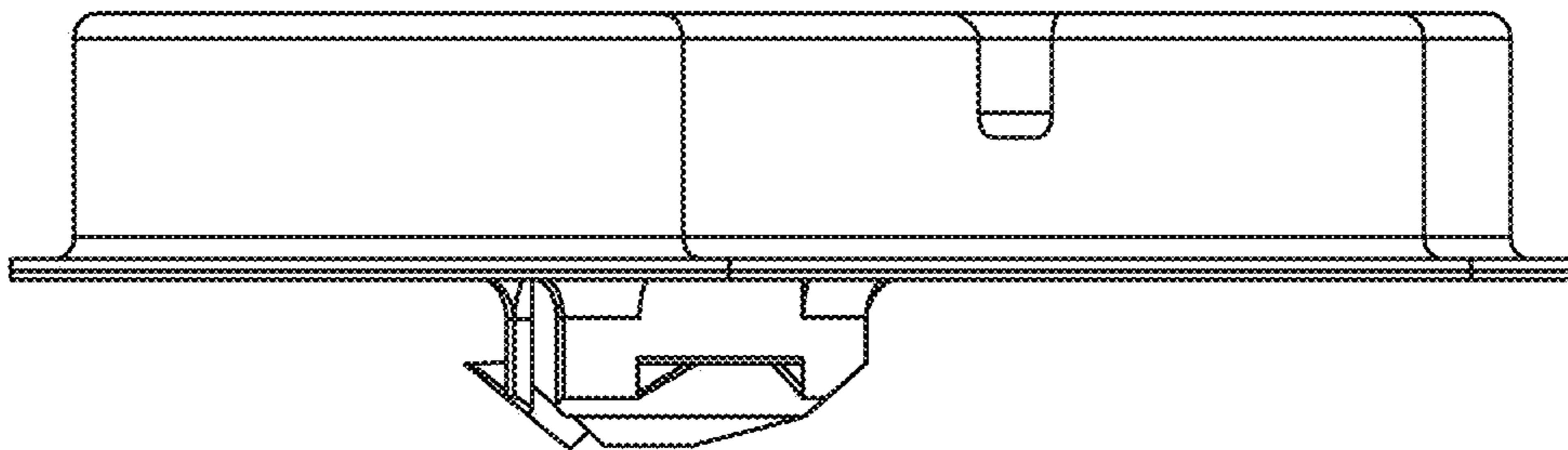


FIG. 8

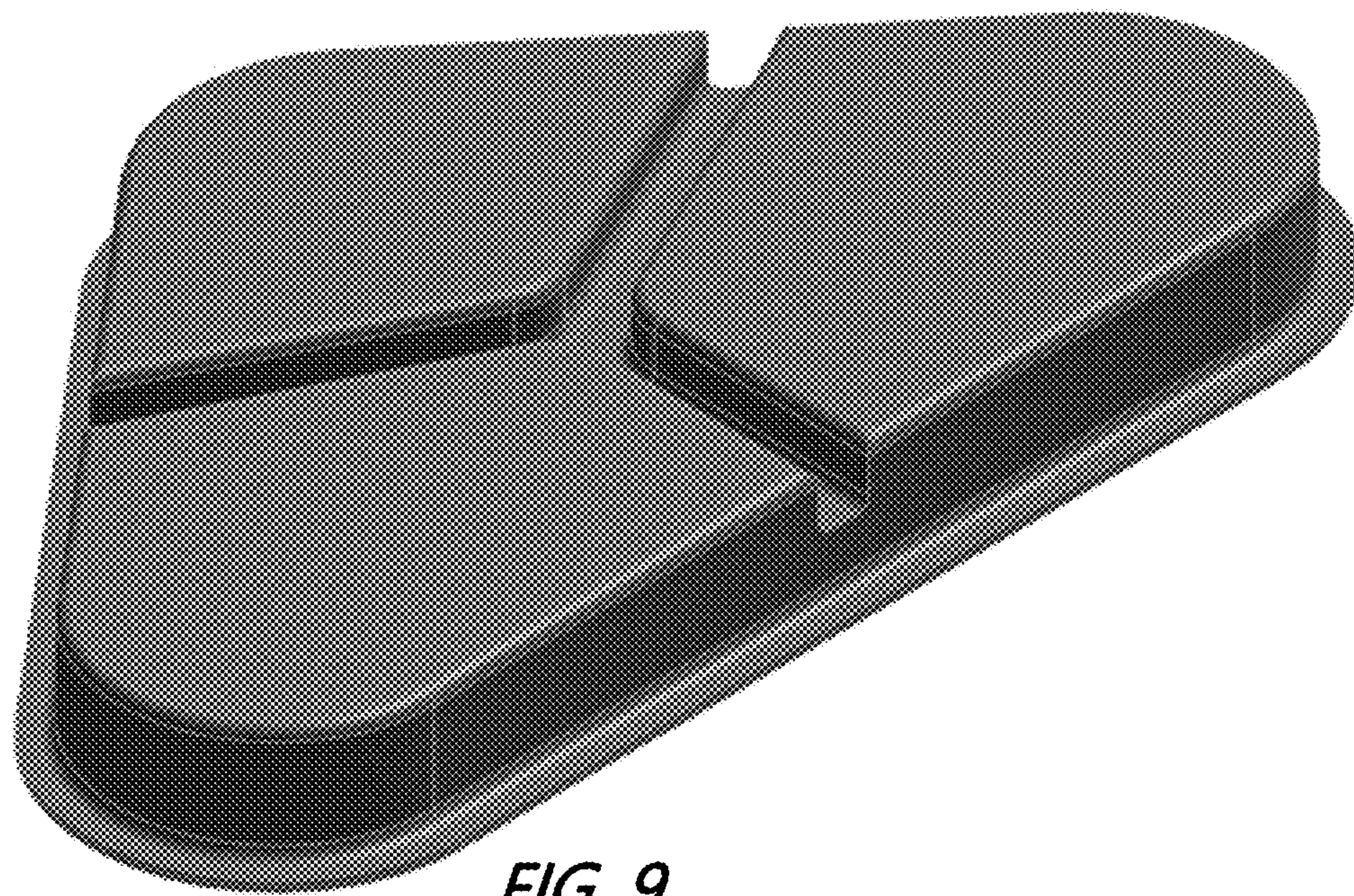


FIG. 9

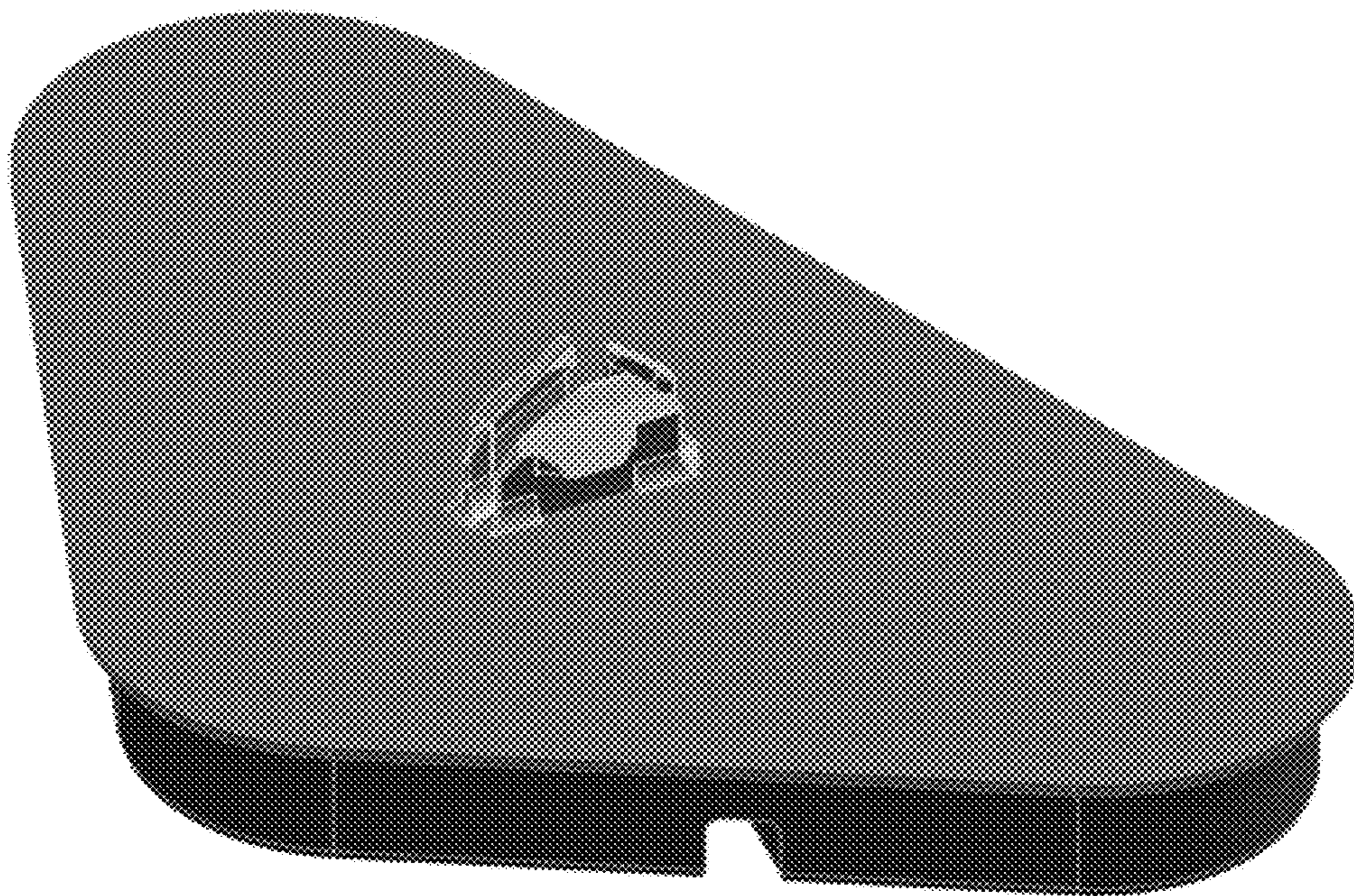


FIG. 10

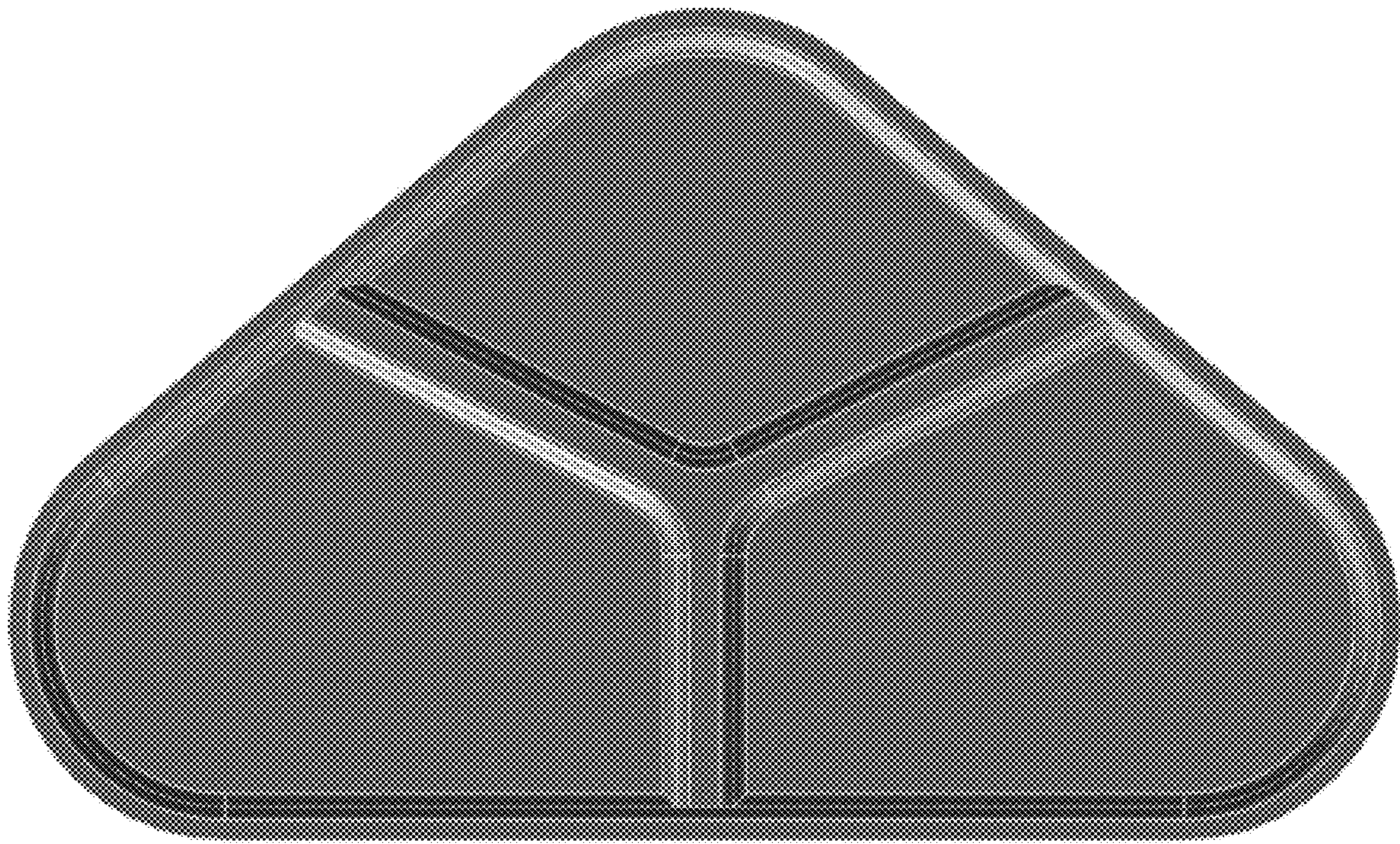


FIG. 11

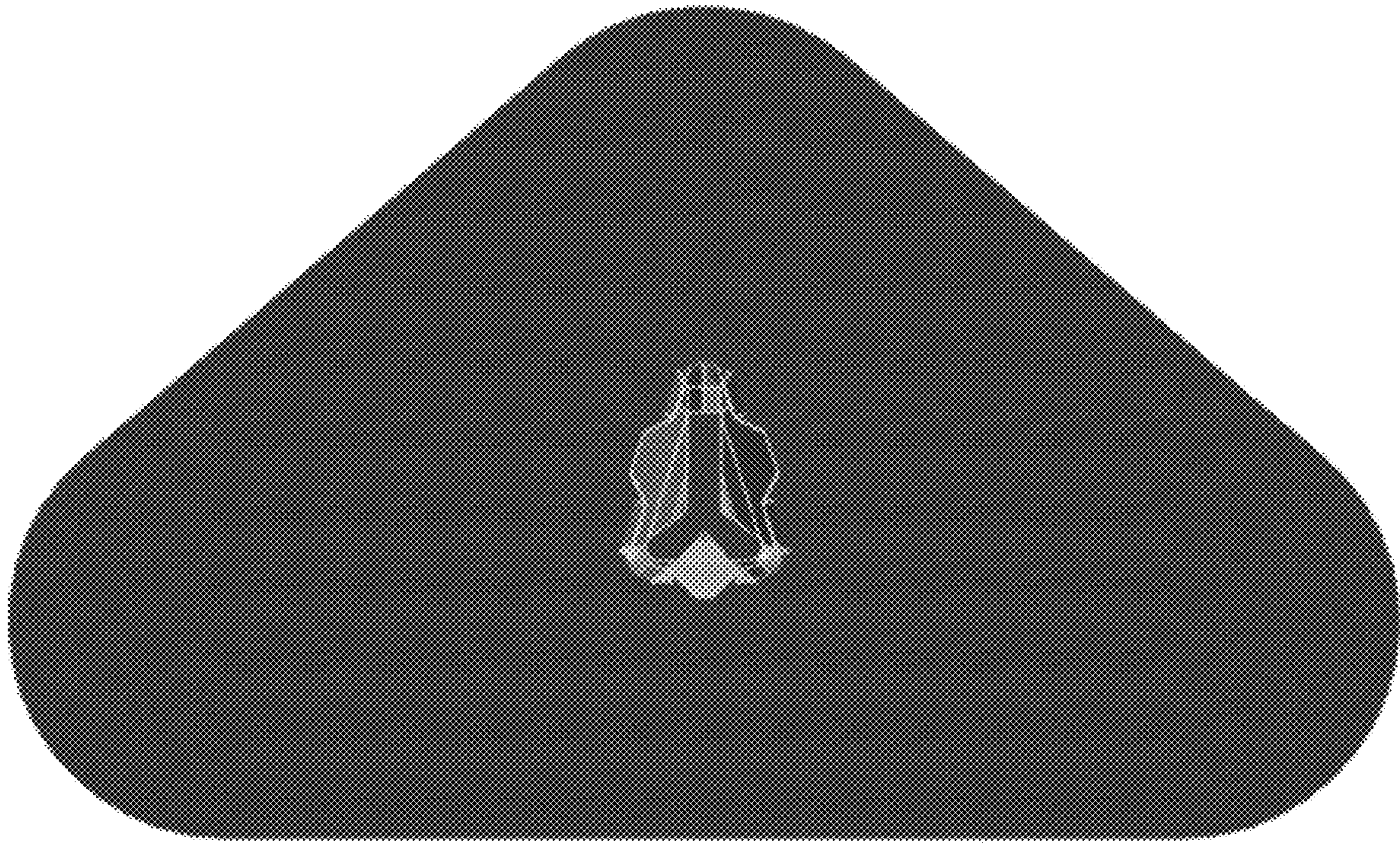


FIG. 12



FIG. 13

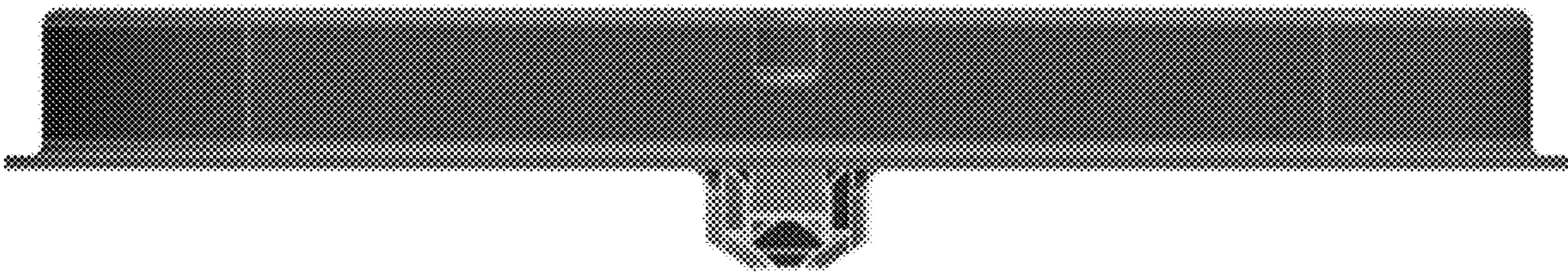


FIG. 14

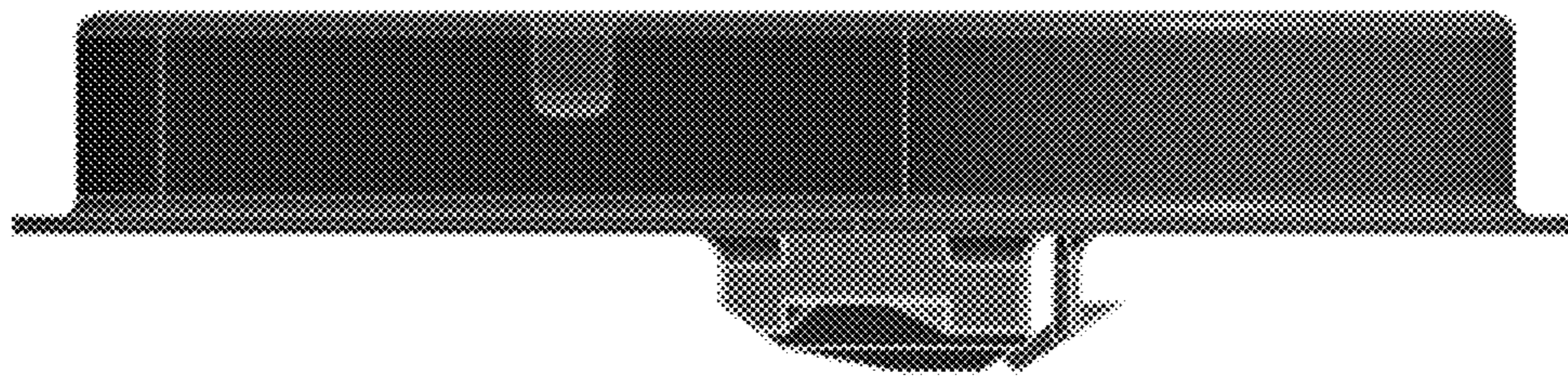


FIG. 15

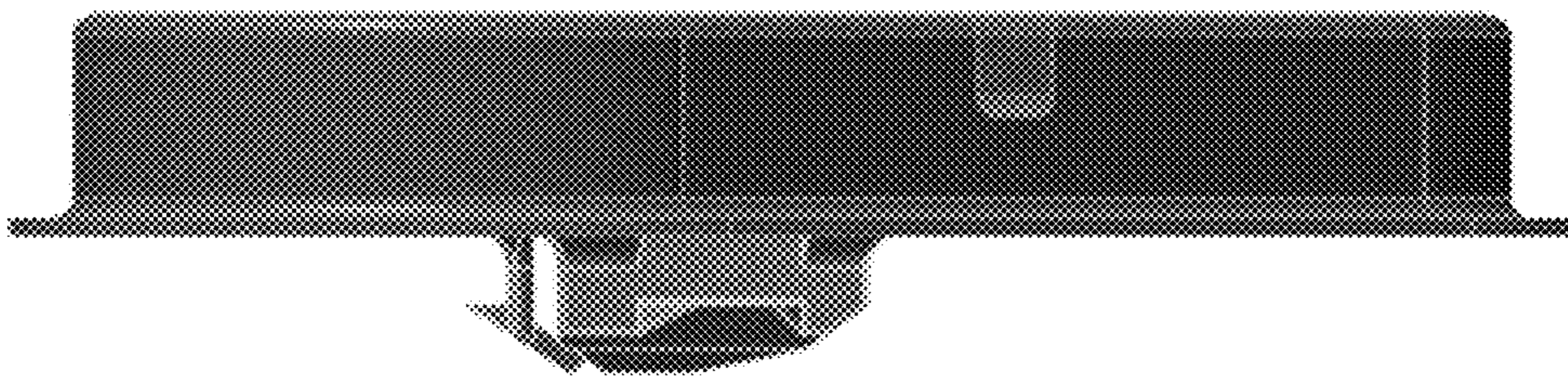


FIG. 16

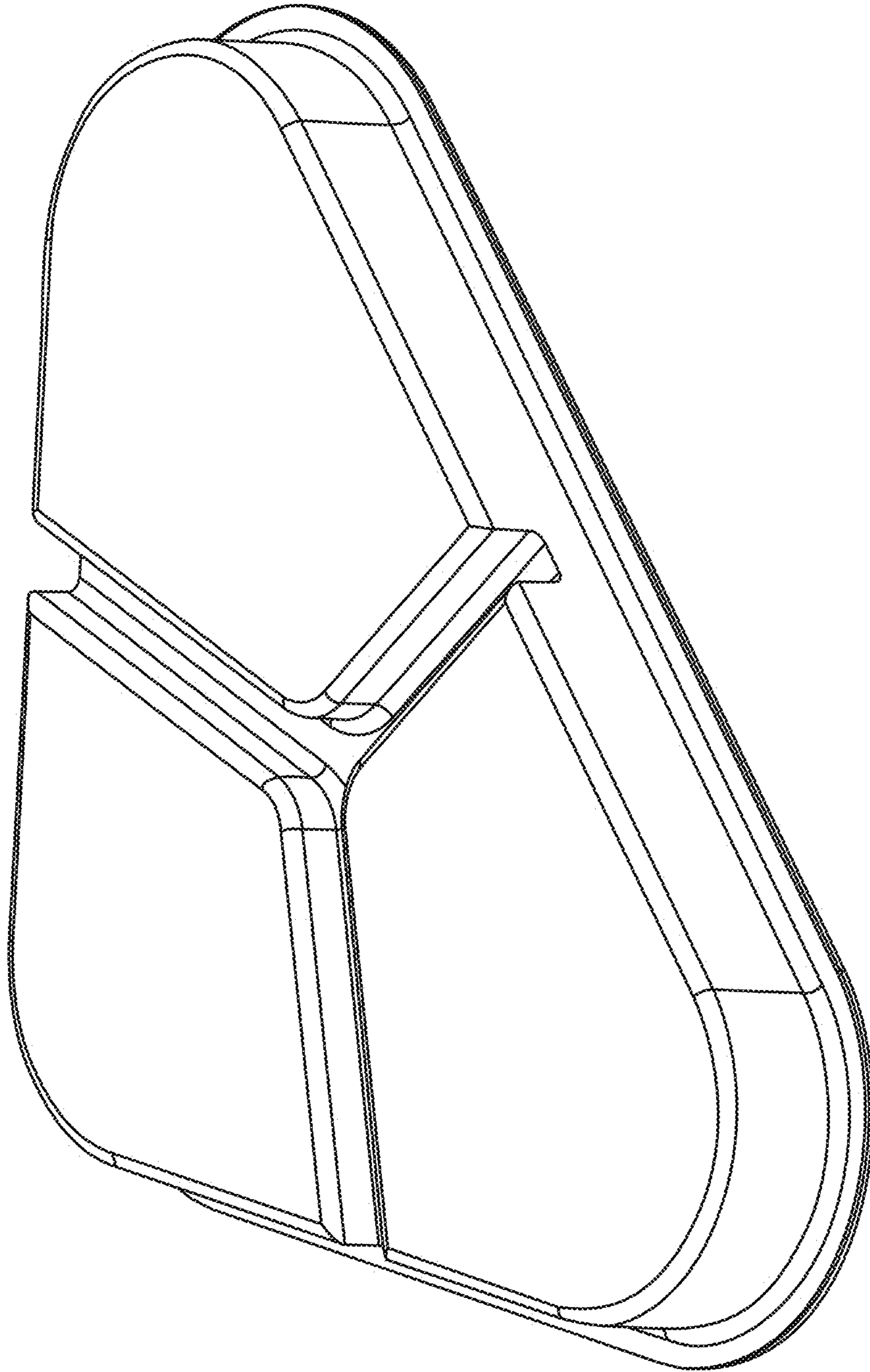


FIG. 17

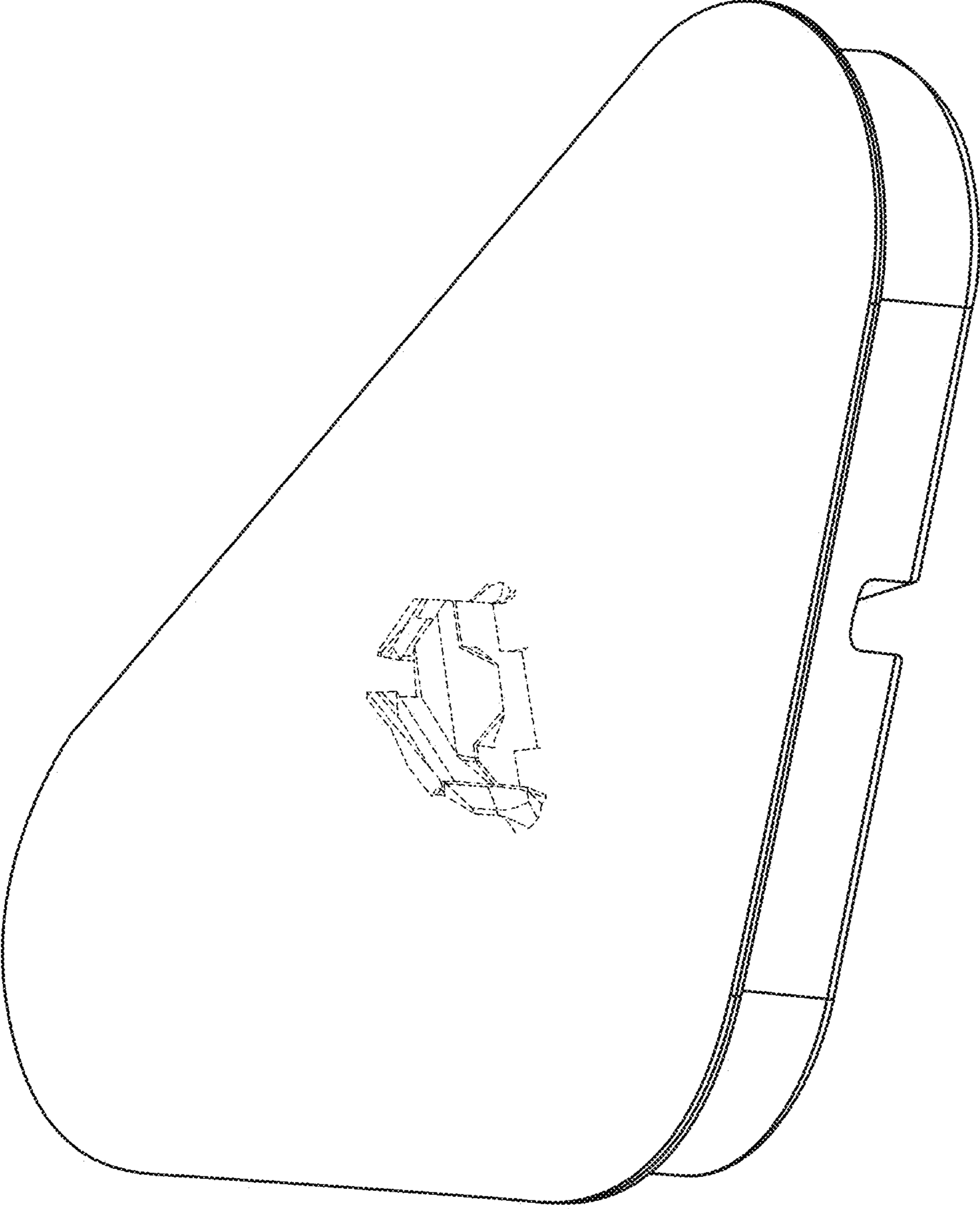


FIG. 18

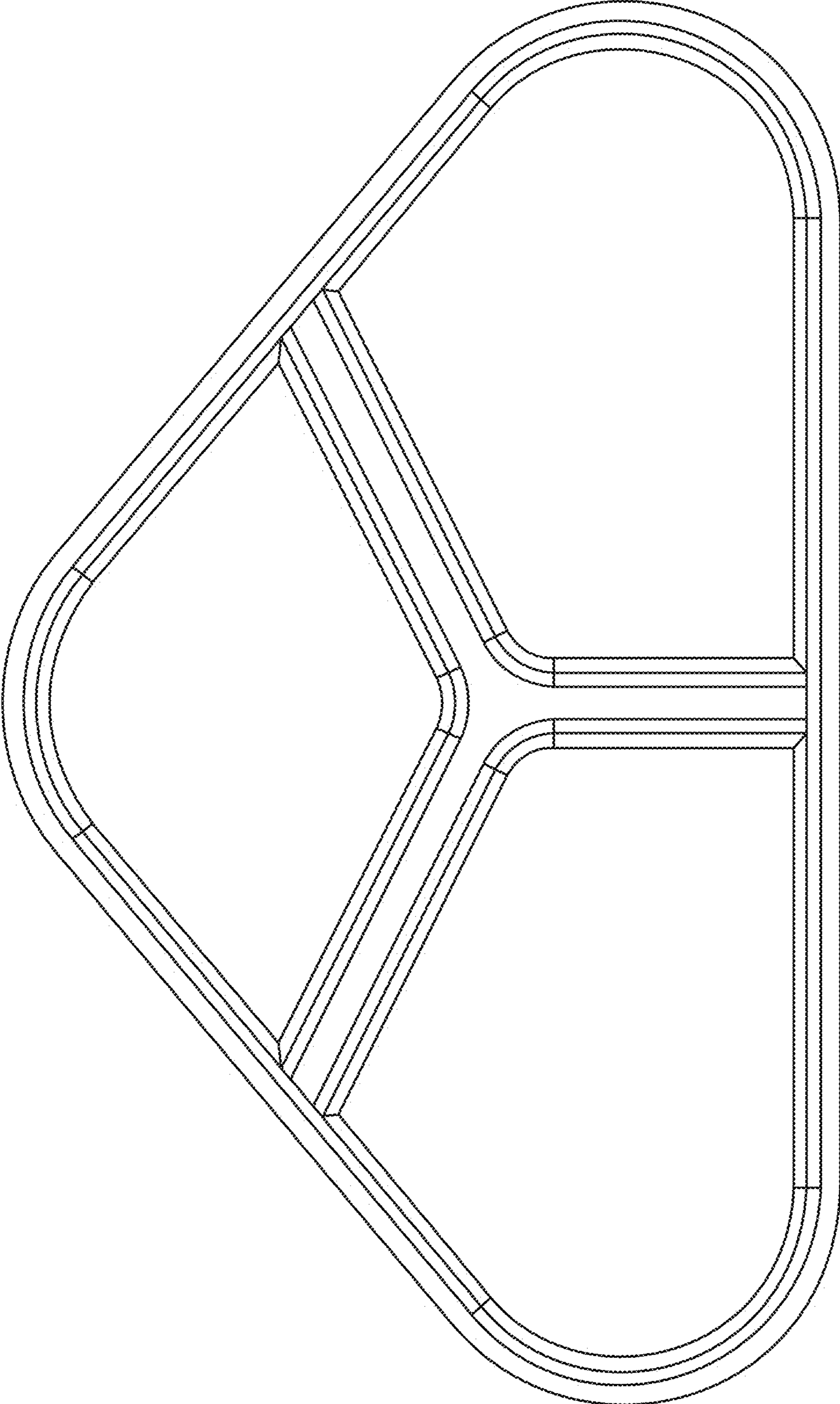


FIG. 19

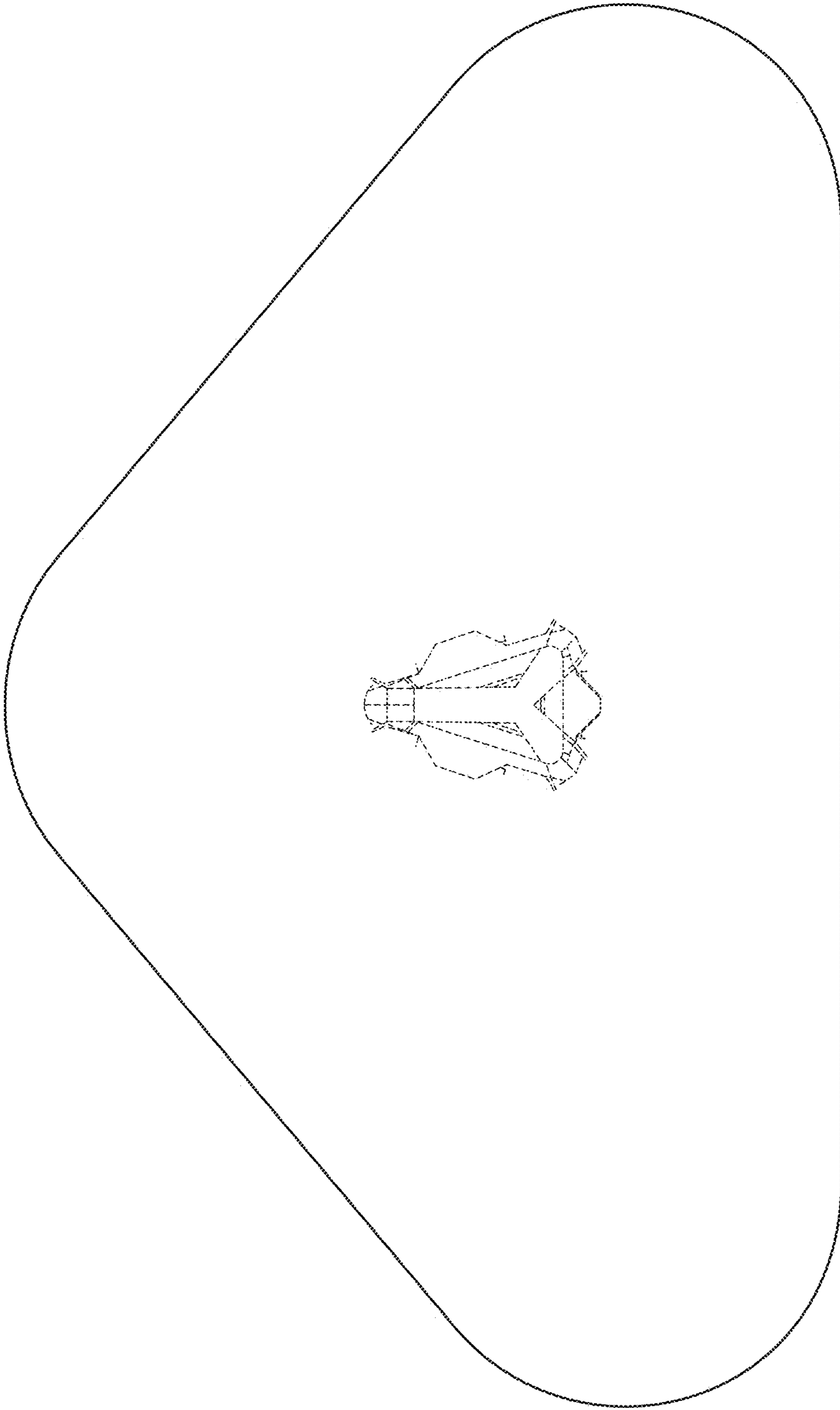


FIG. 20

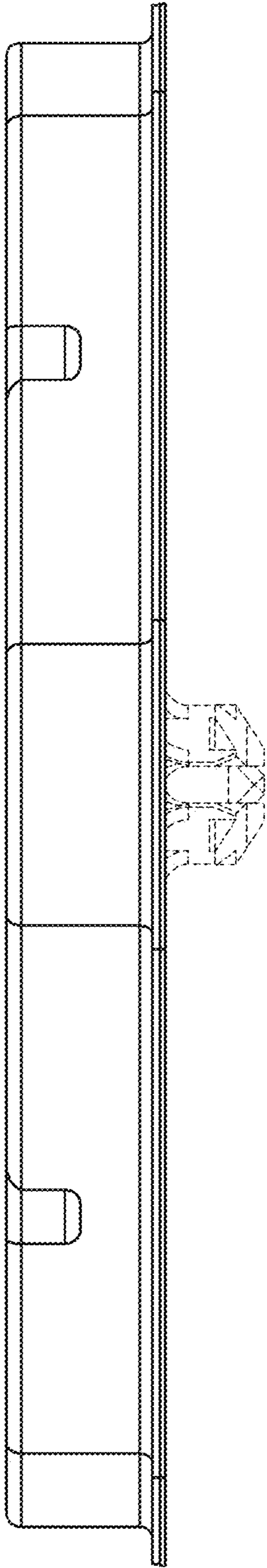


FIG. 21

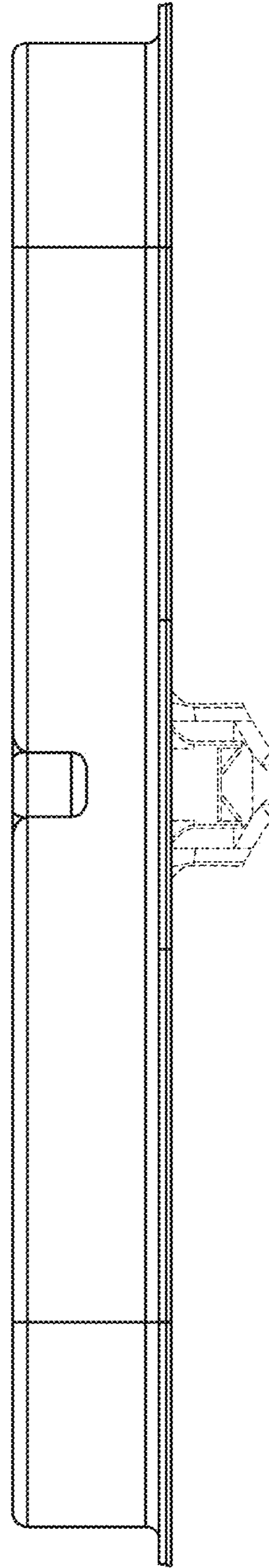


FIG. 22

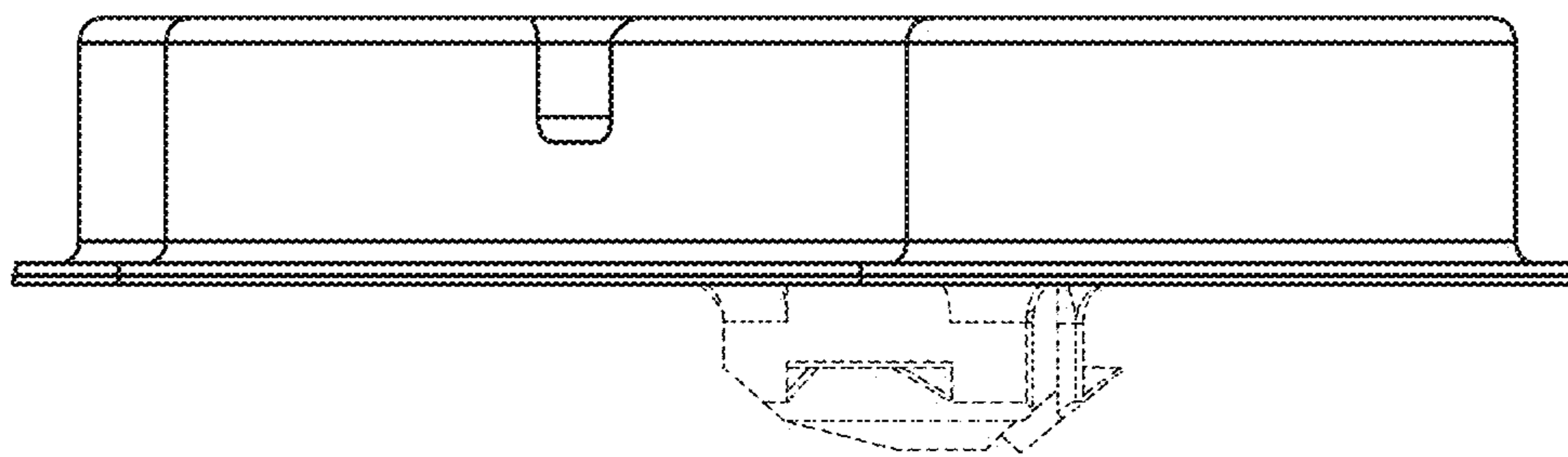


FIG. 23

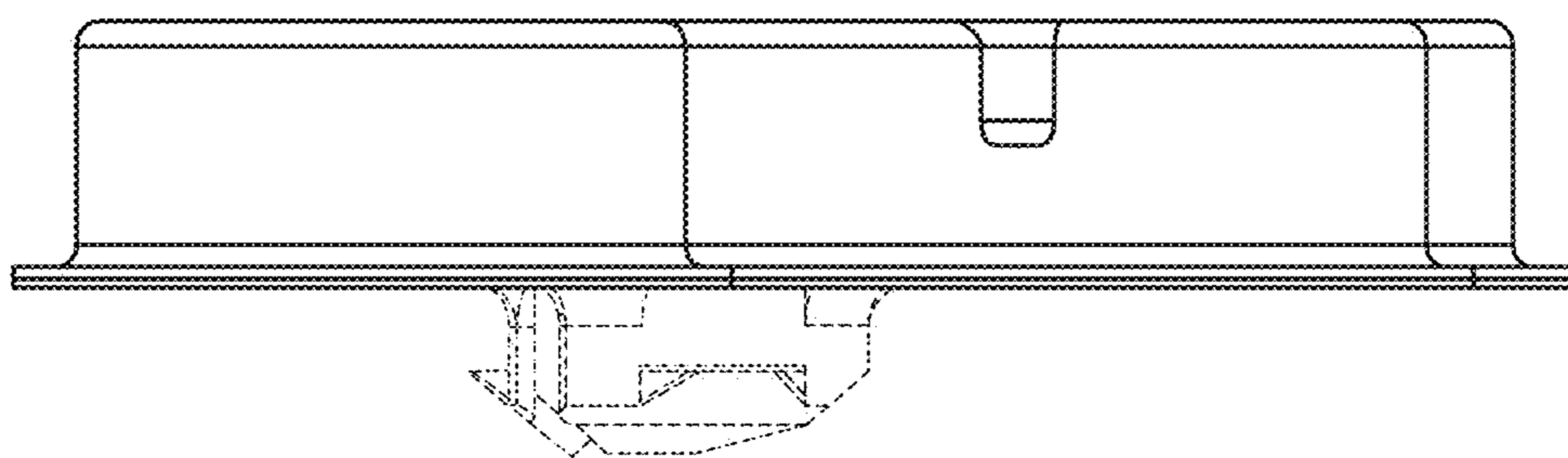


FIG. 24

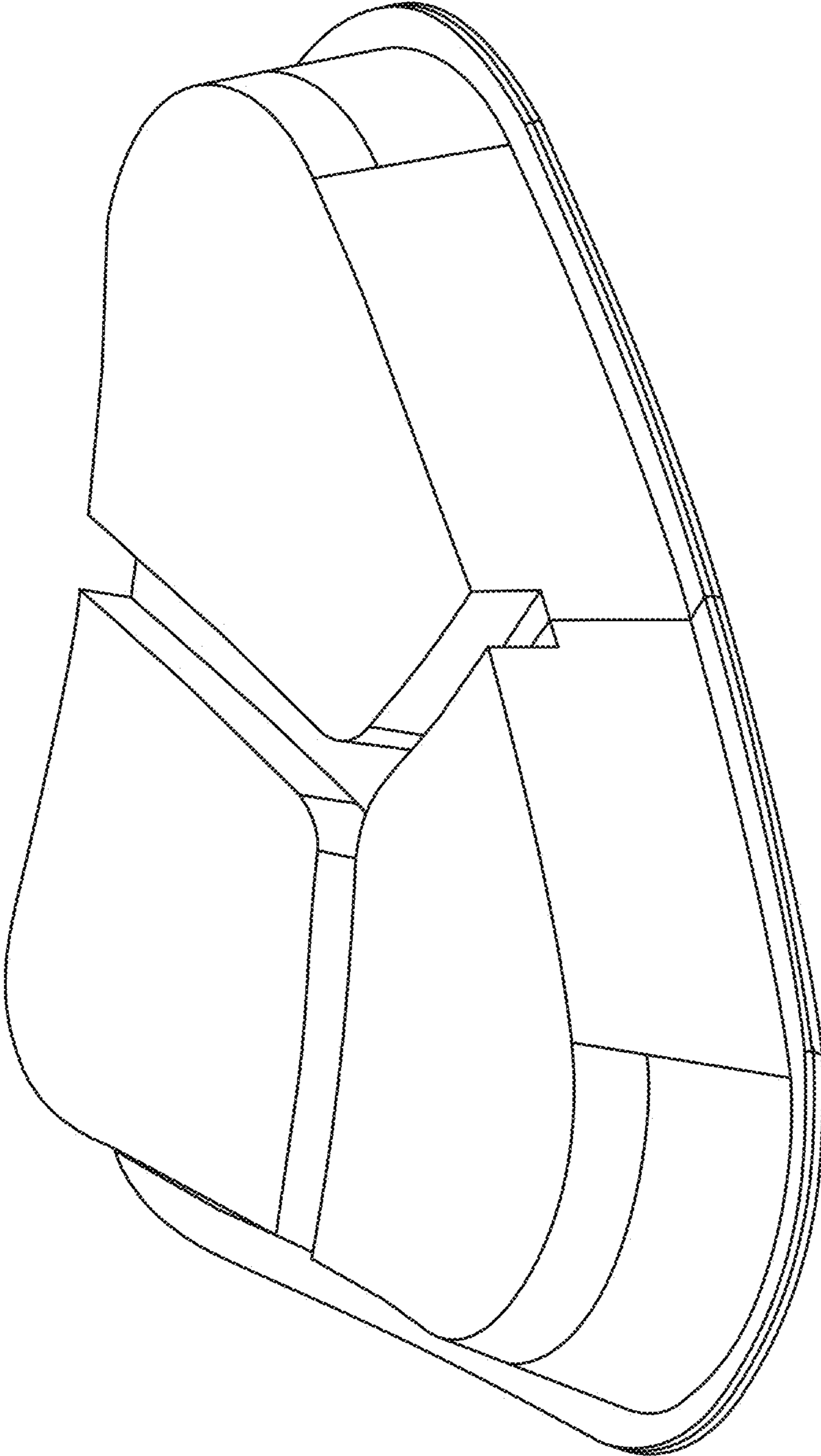


FIG. 25

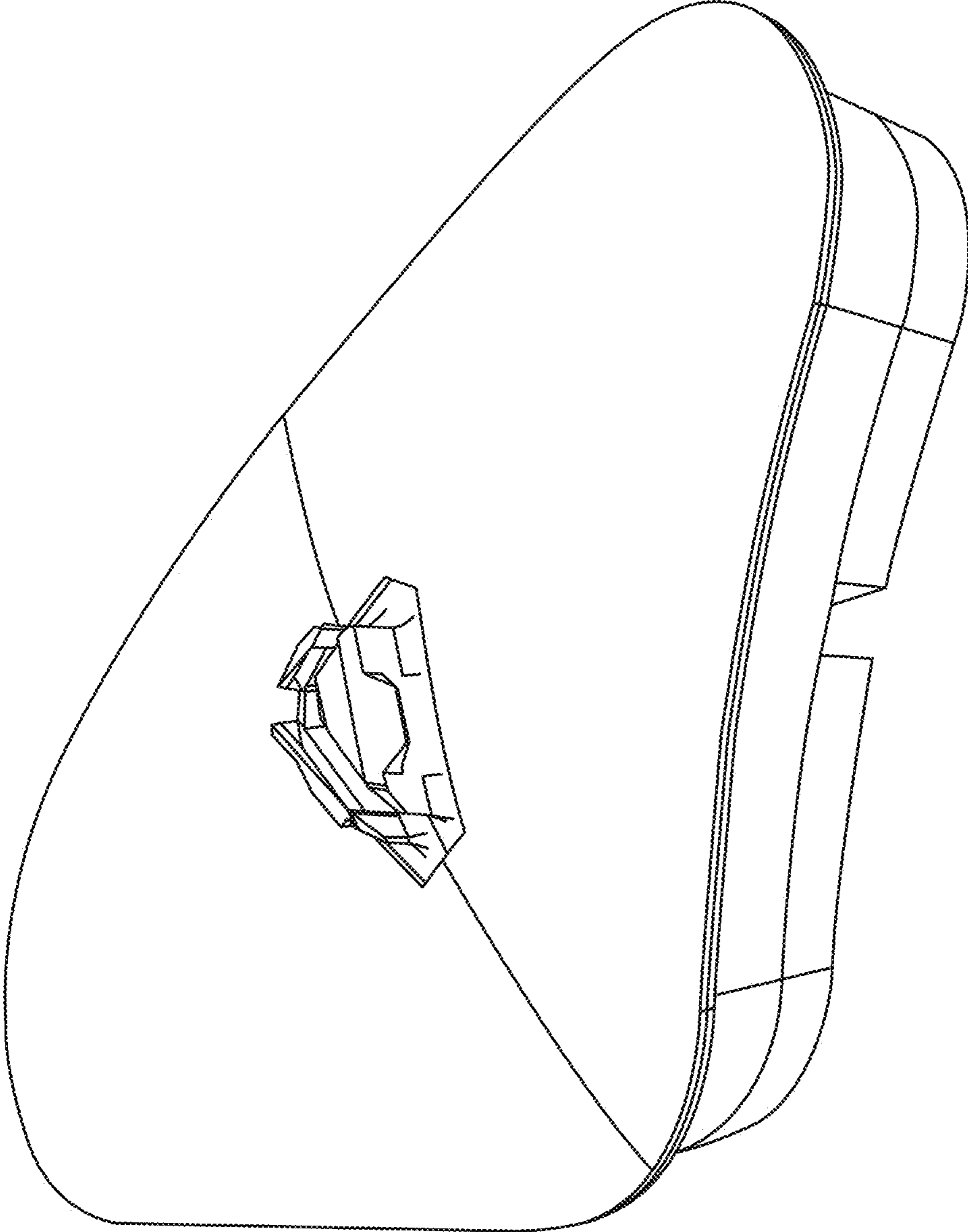


FIG. 26

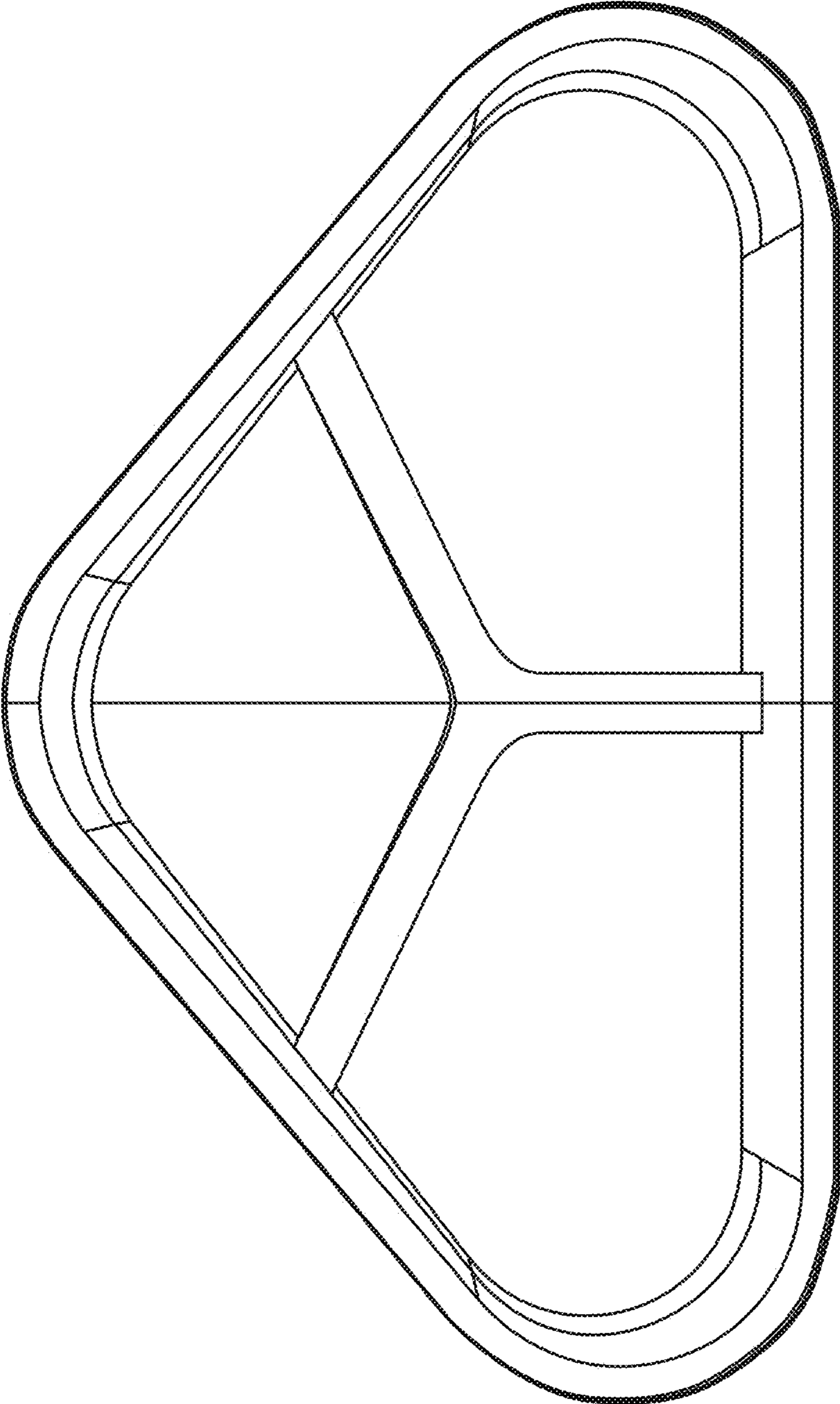


FIG. 27

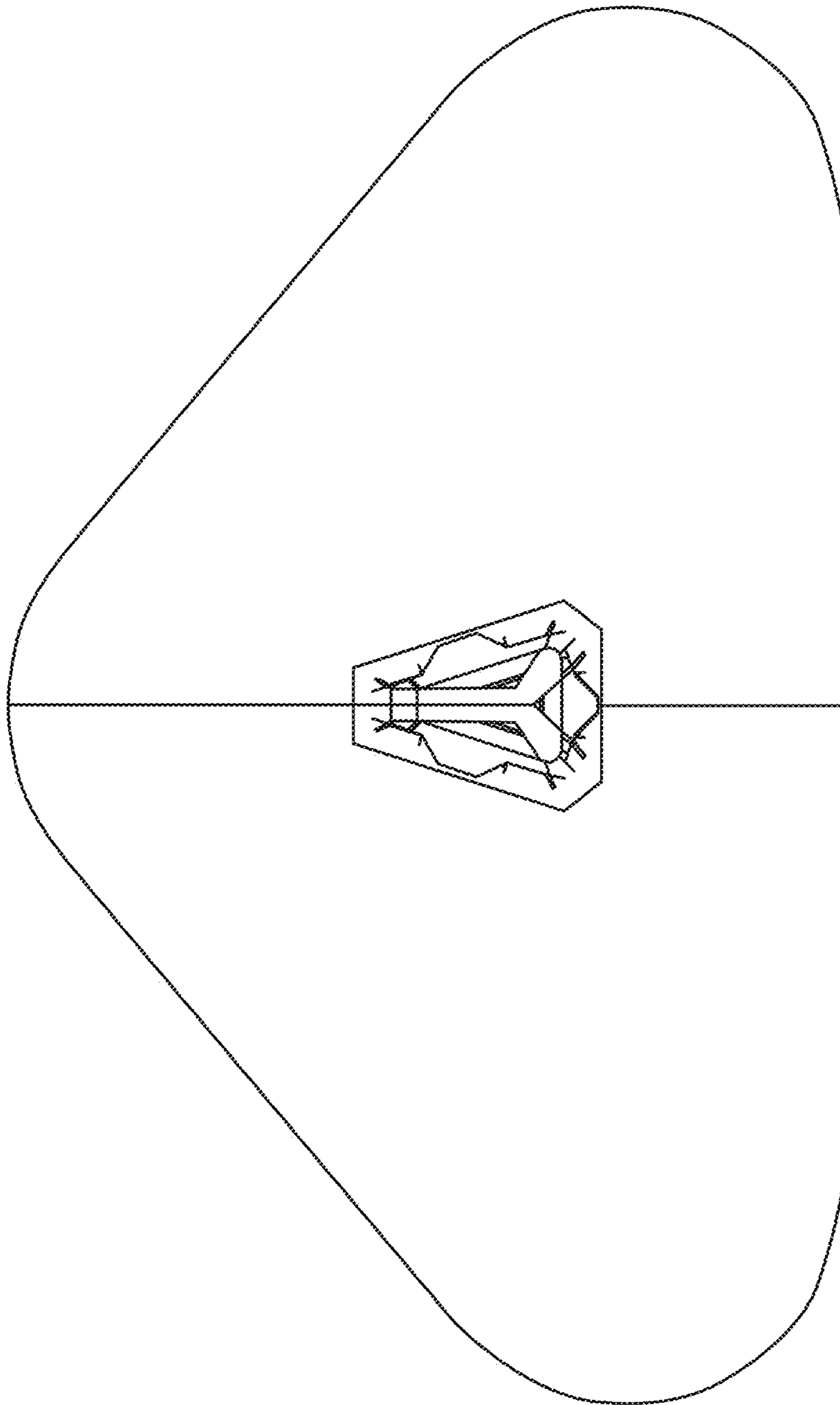


FIG. 28

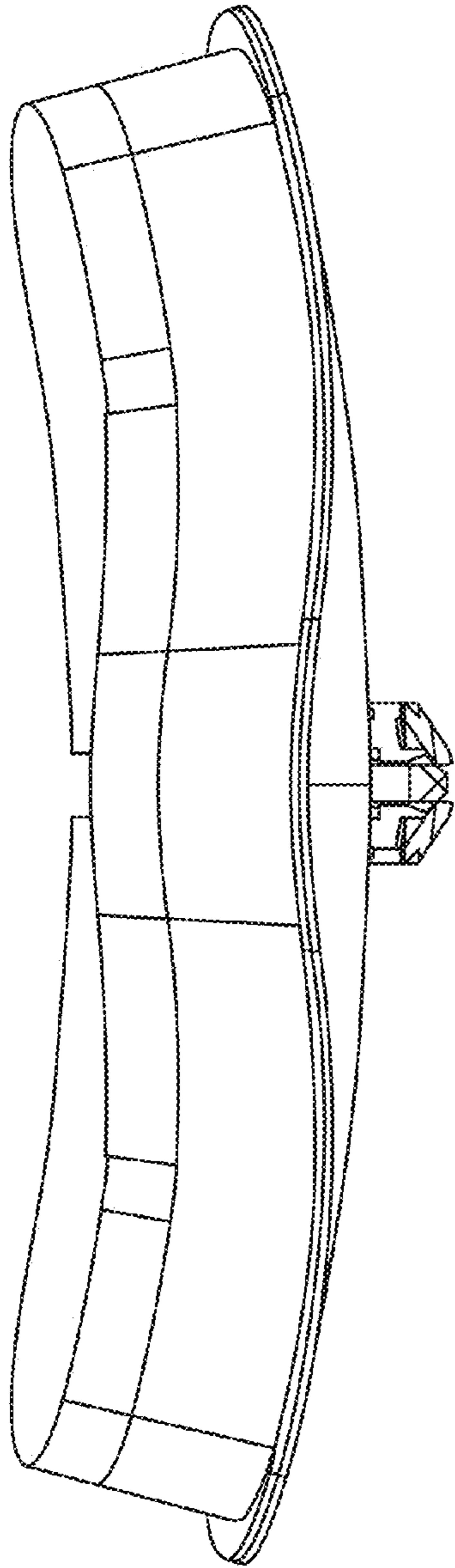


FIG. 29

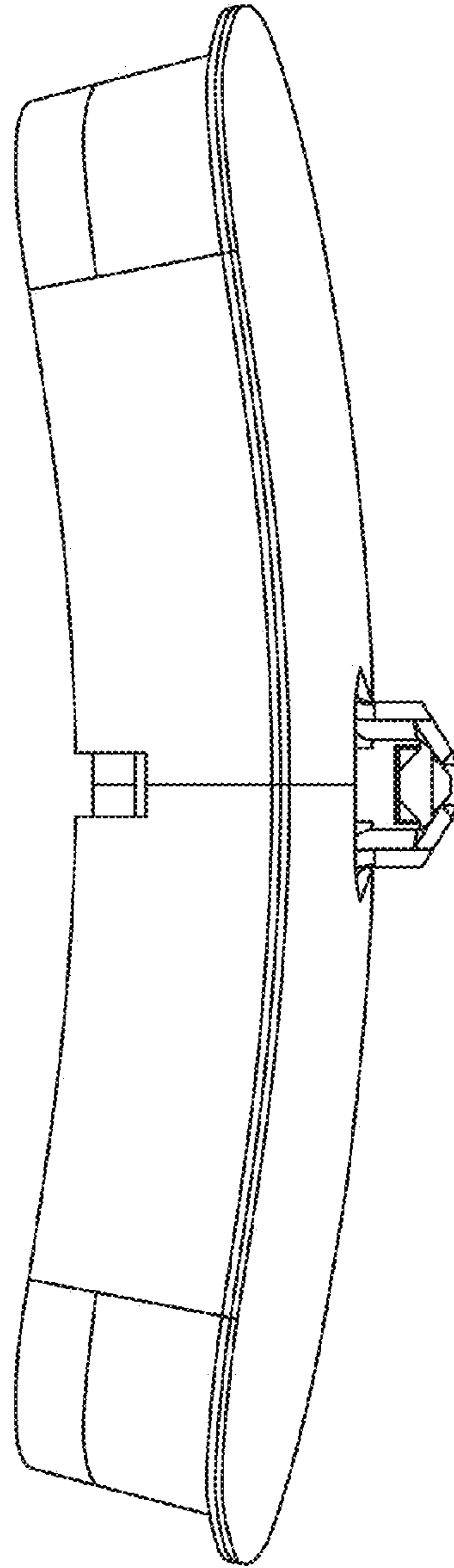


FIG. 30

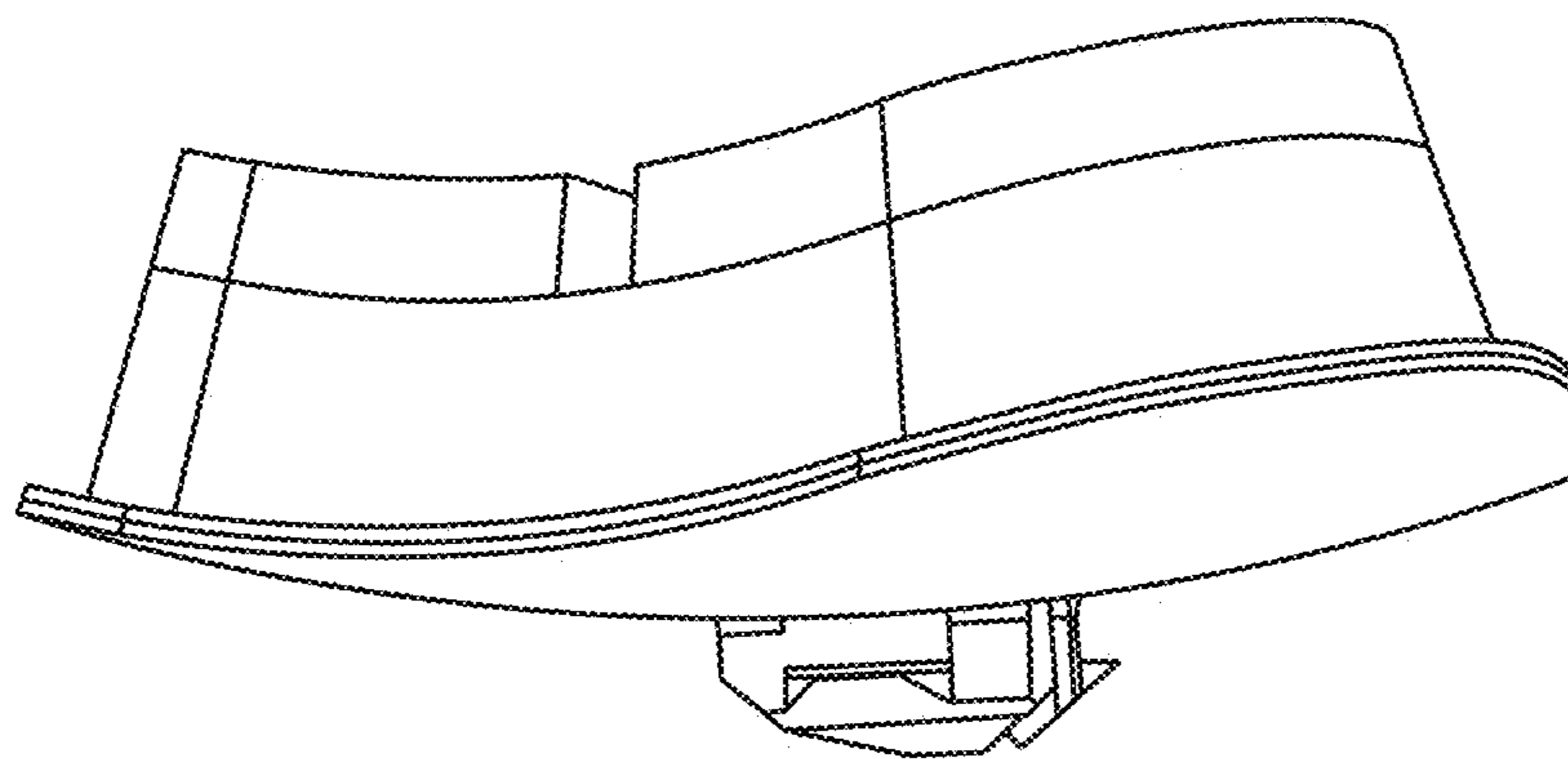


FIG. 31

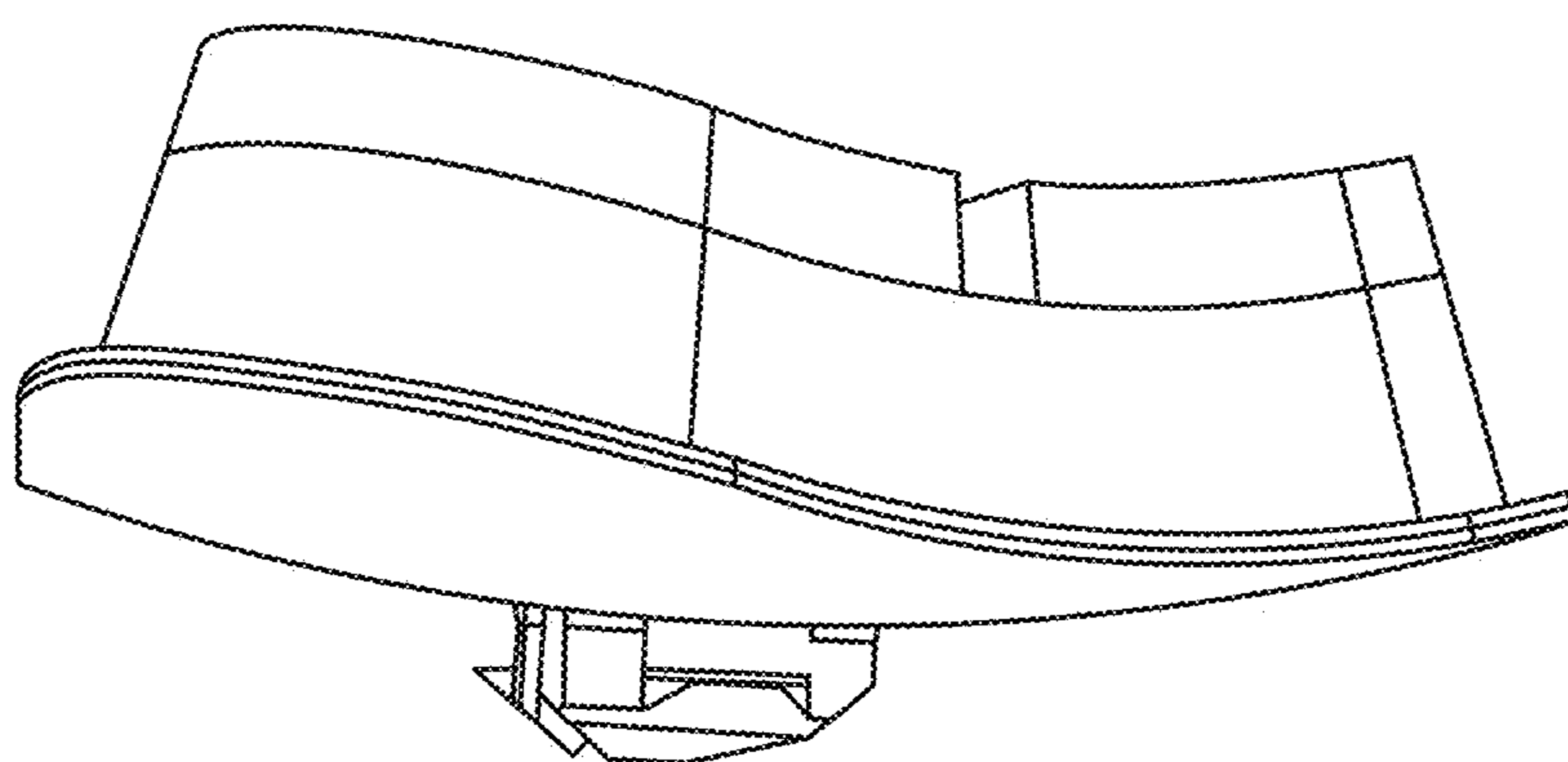


FIG. 32

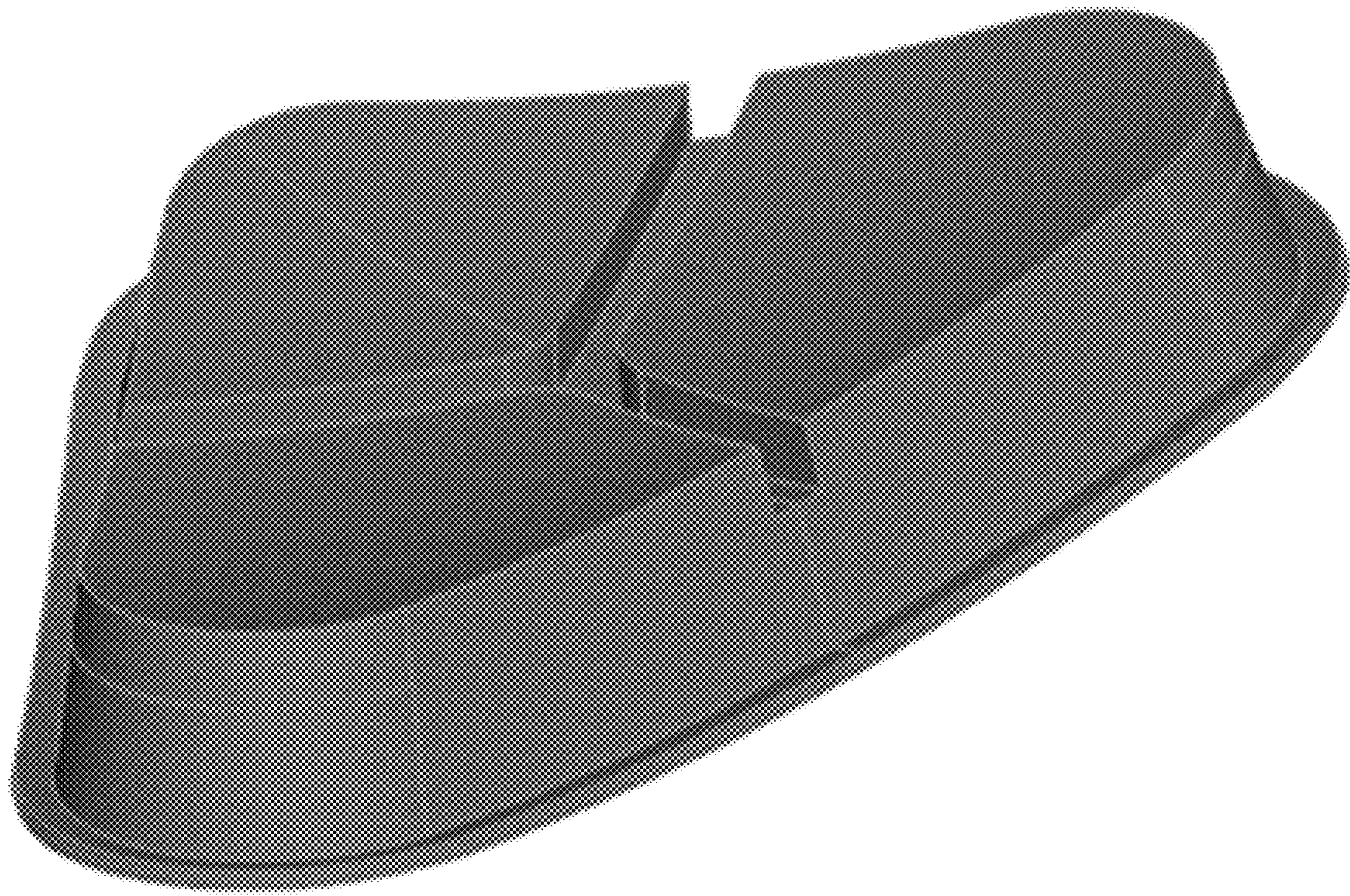


FIG. 33

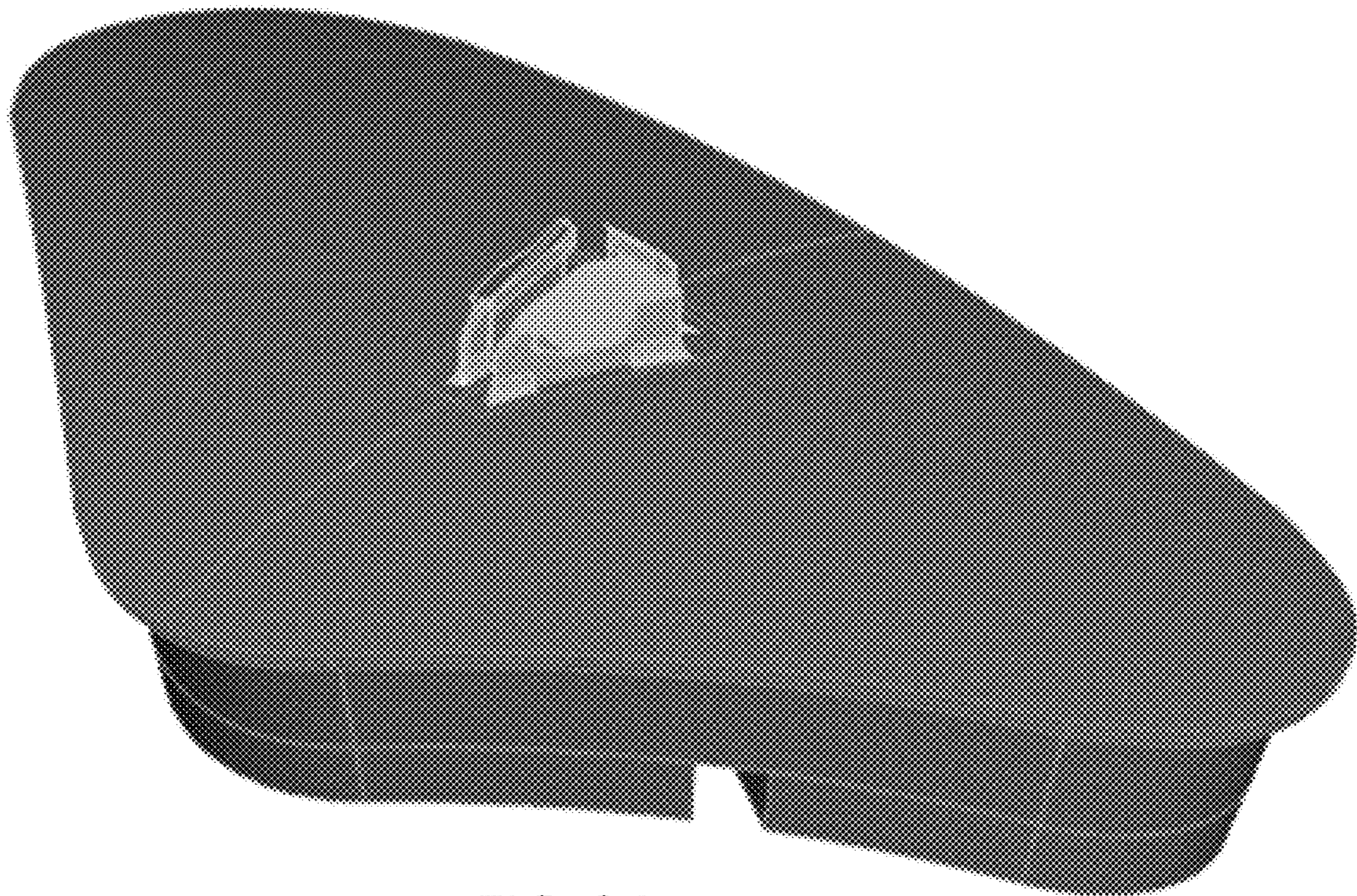


FIG. 34

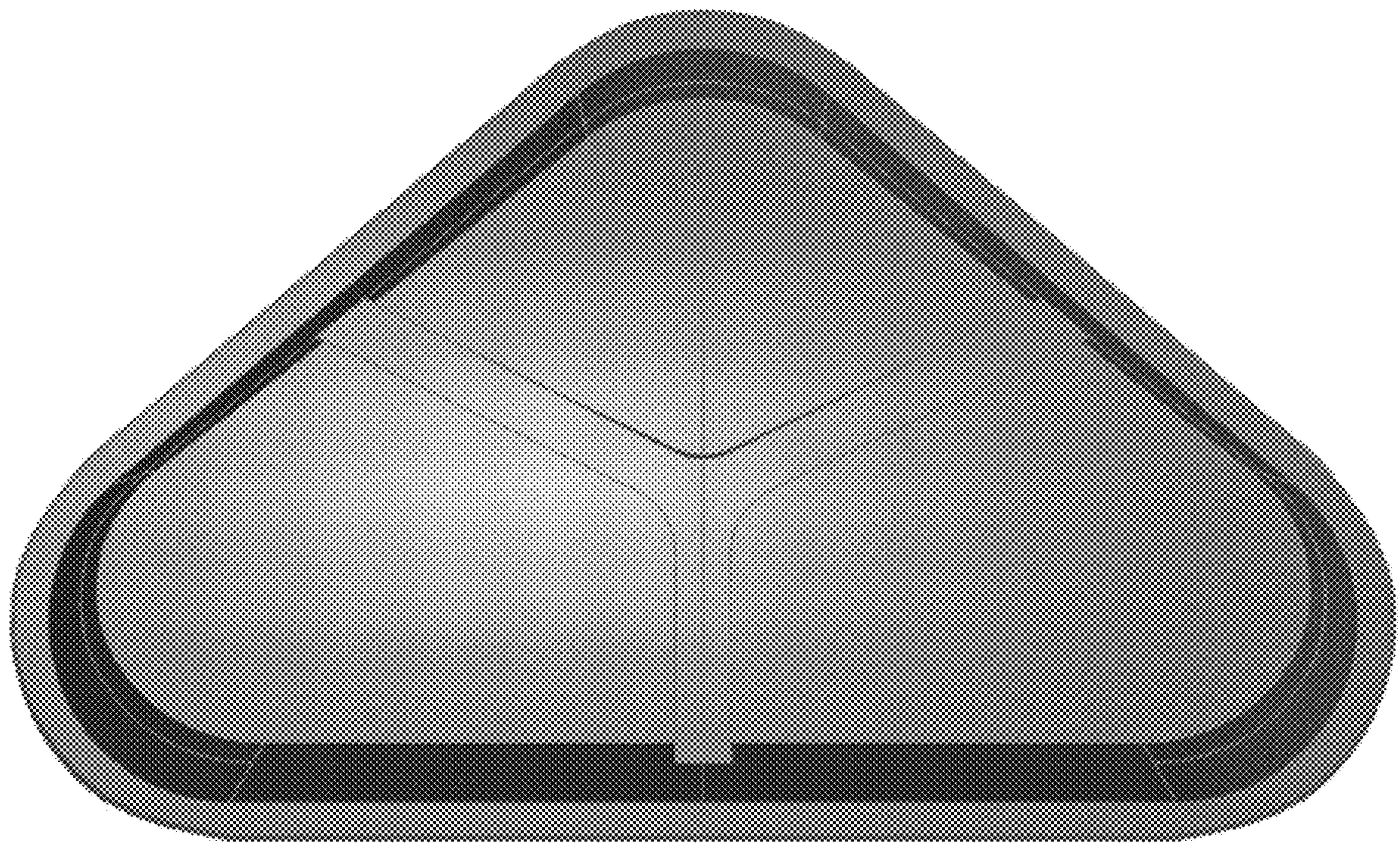


FIG. 35

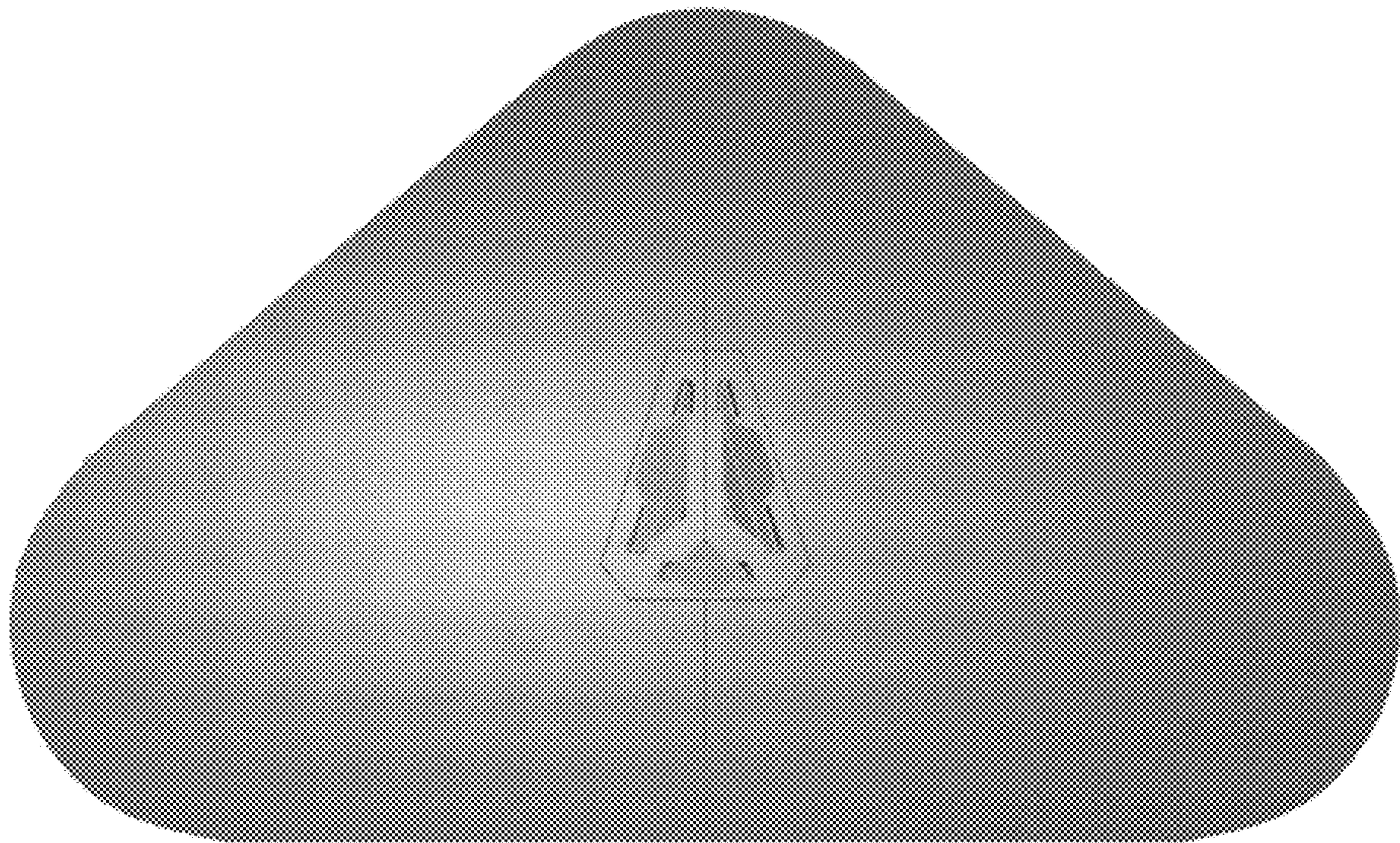


FIG. 36

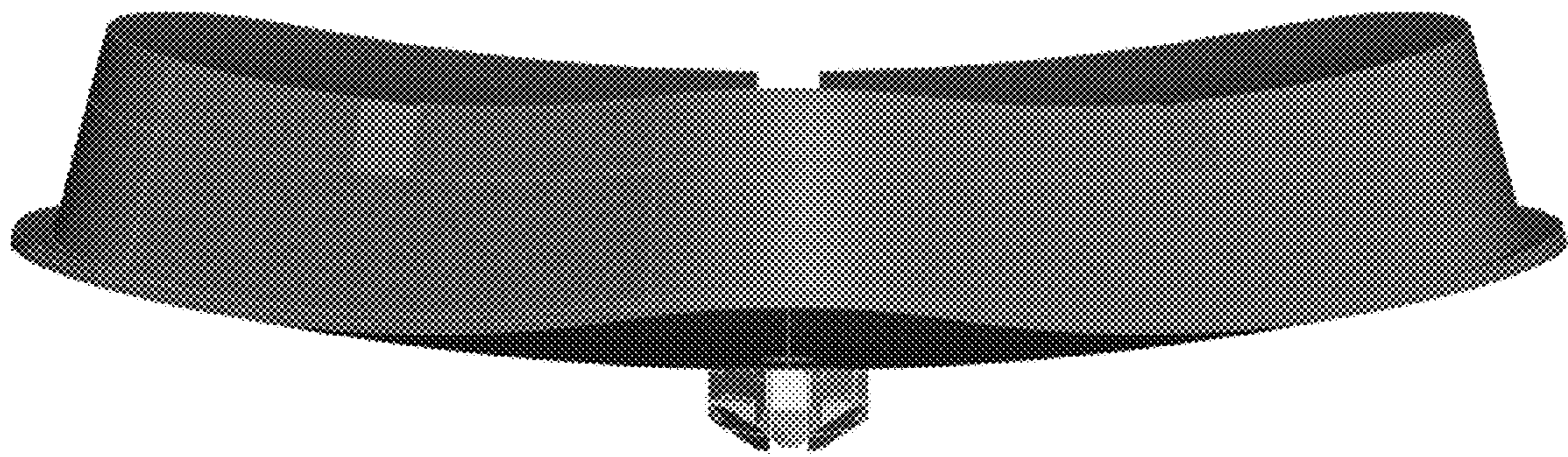


FIG. 37

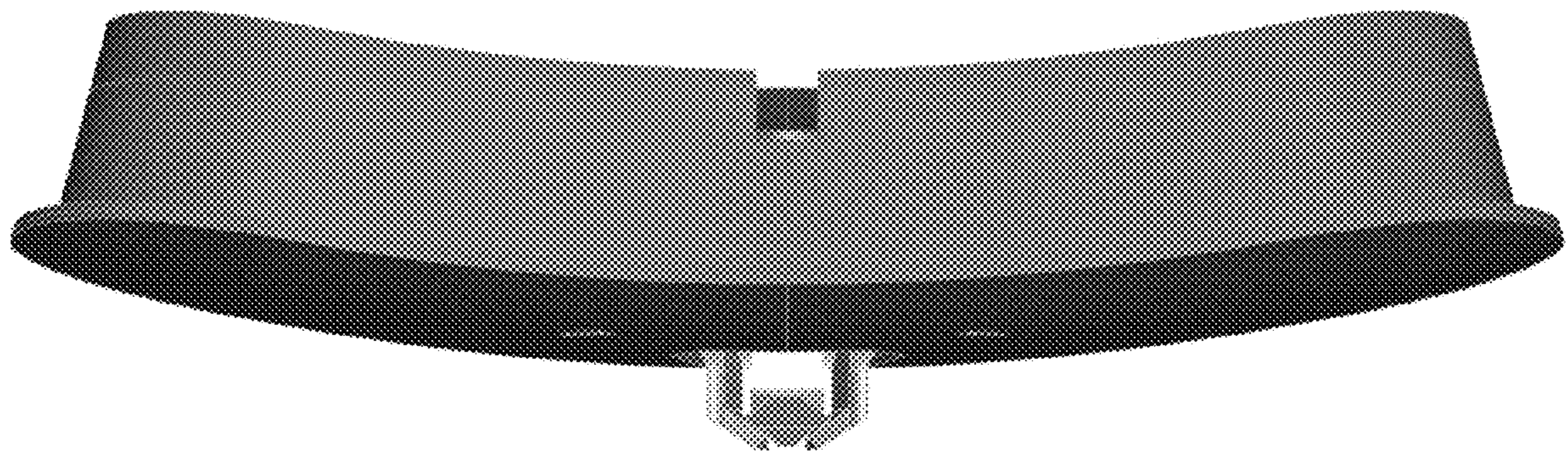


FIG. 38

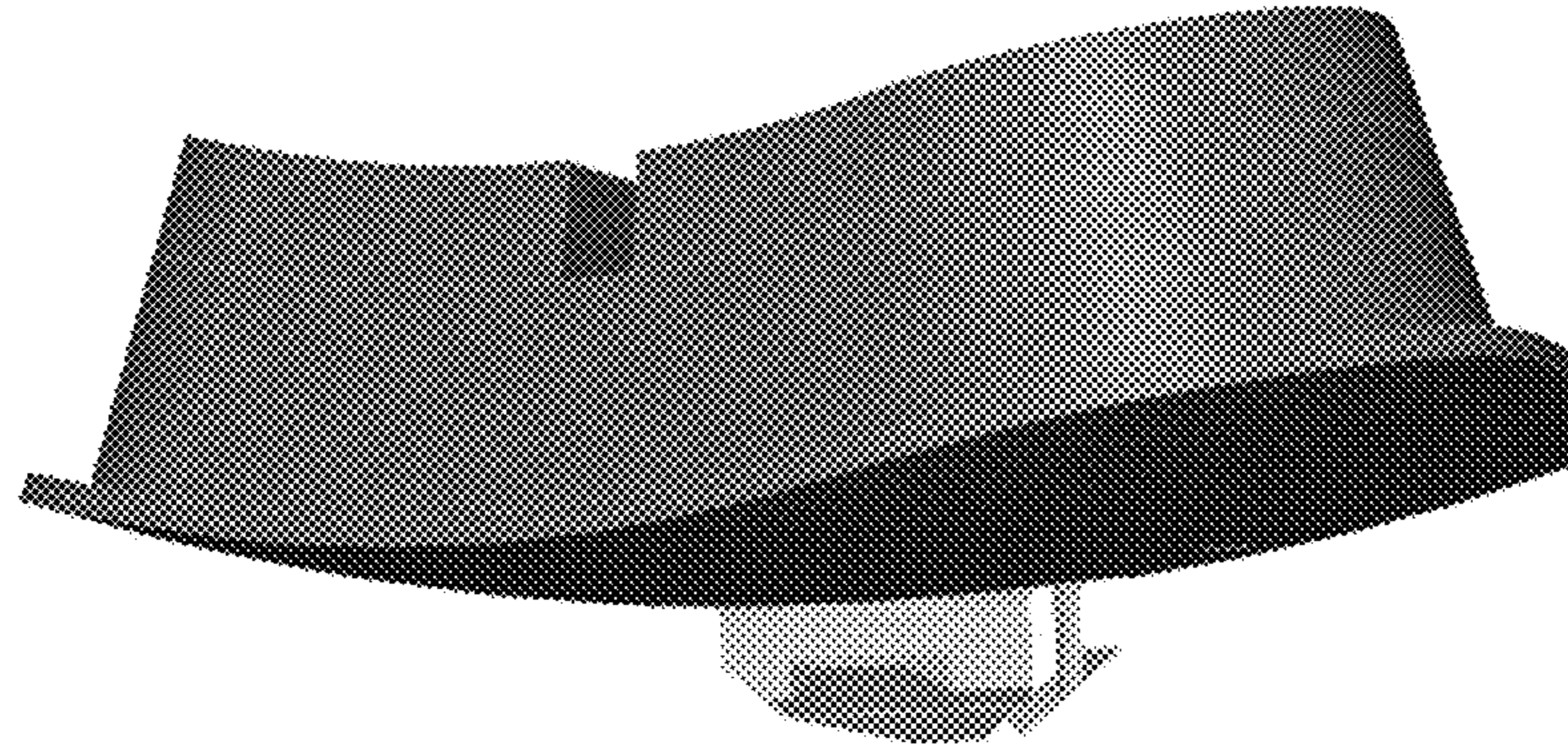


FIG. 39

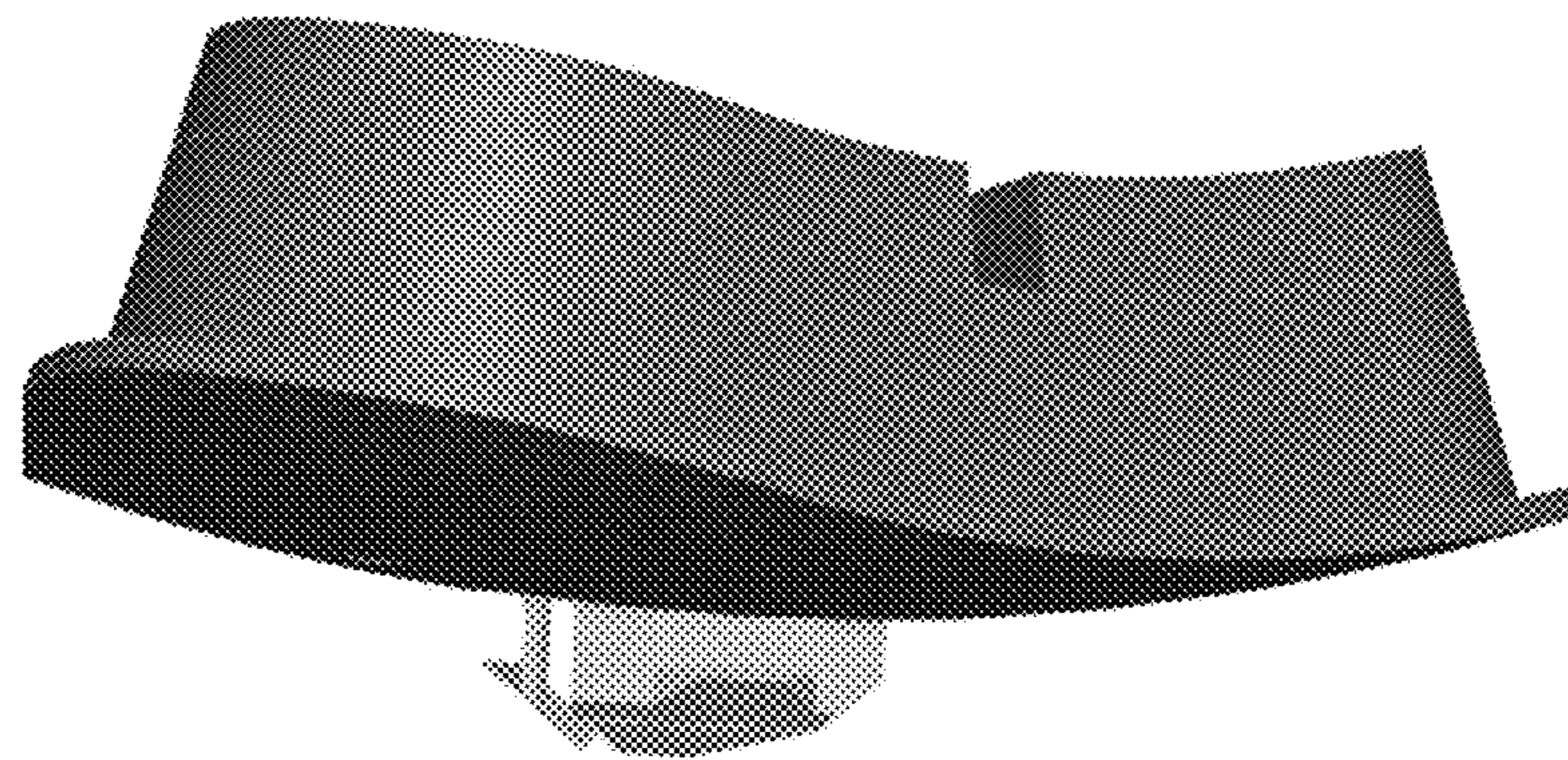


FIG. 40

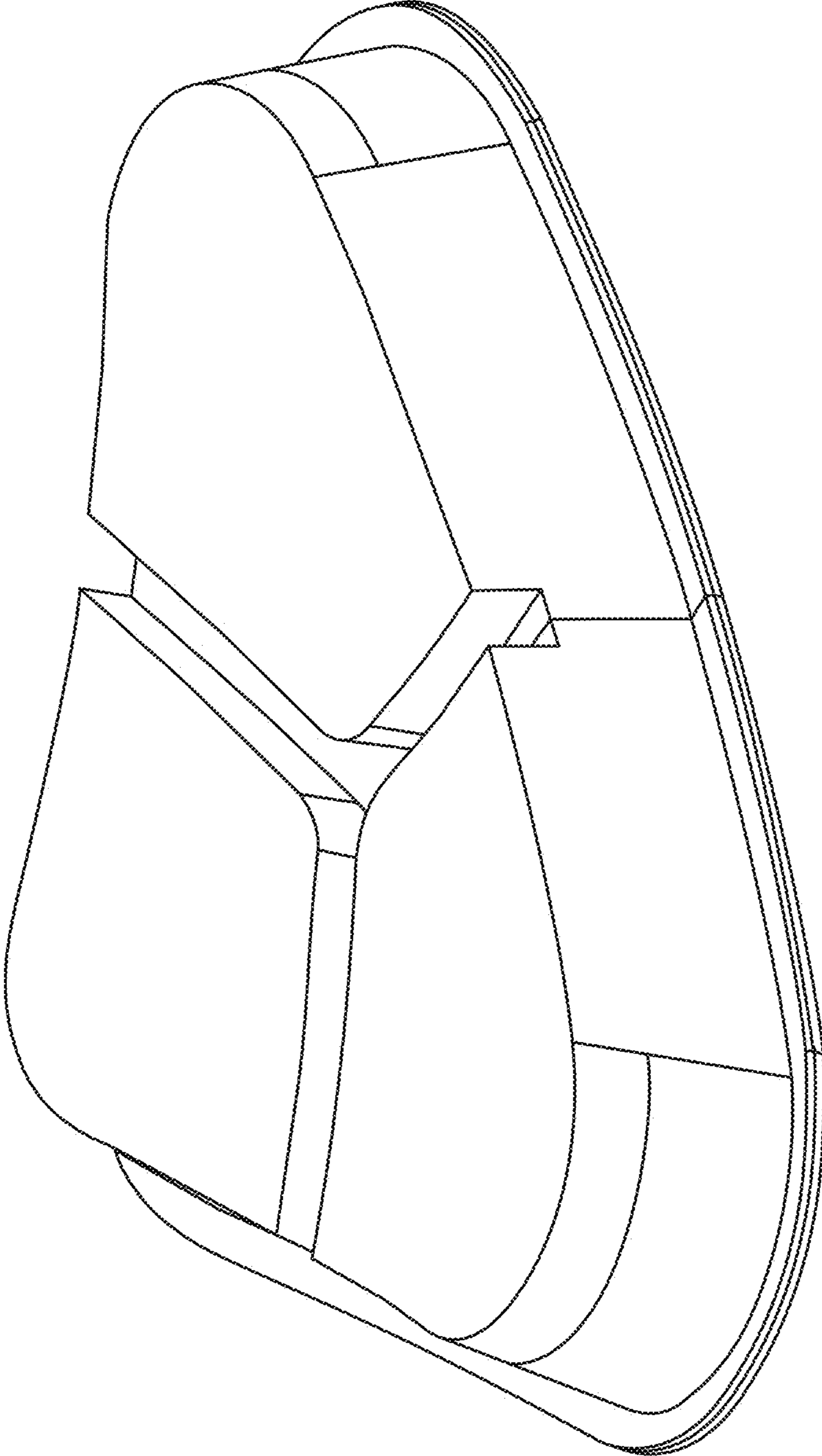


FIG. 41

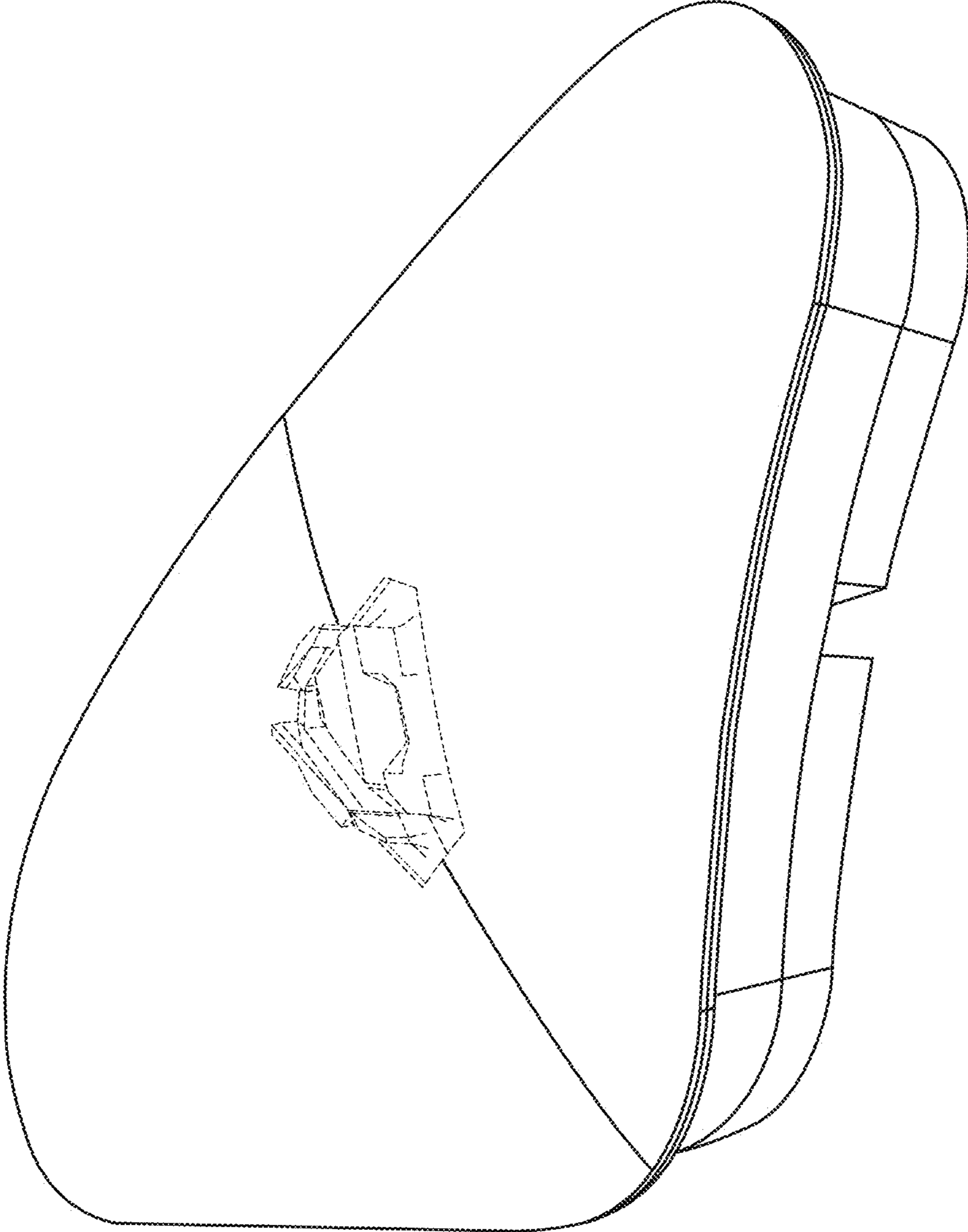


FIG. 42

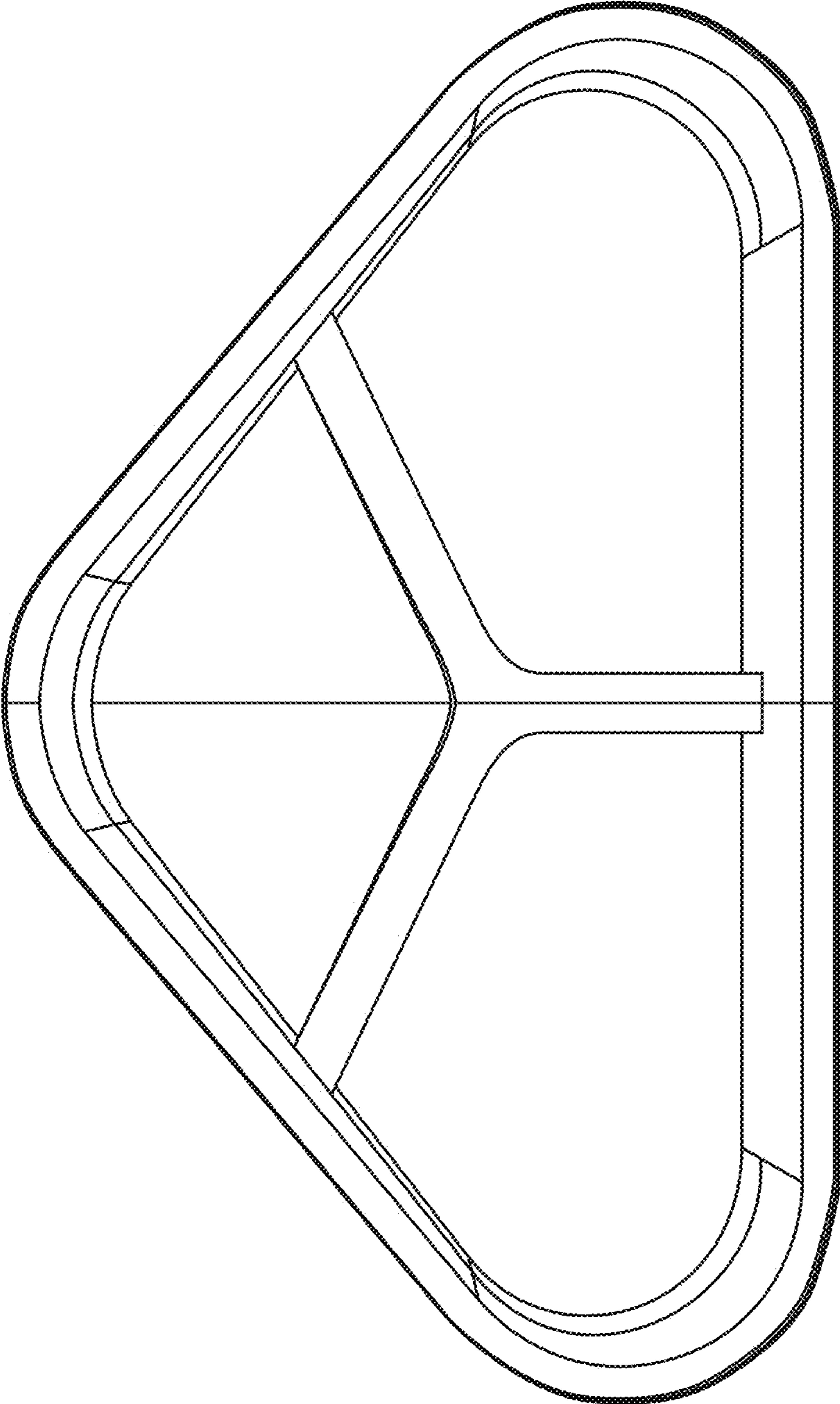


FIG. 43

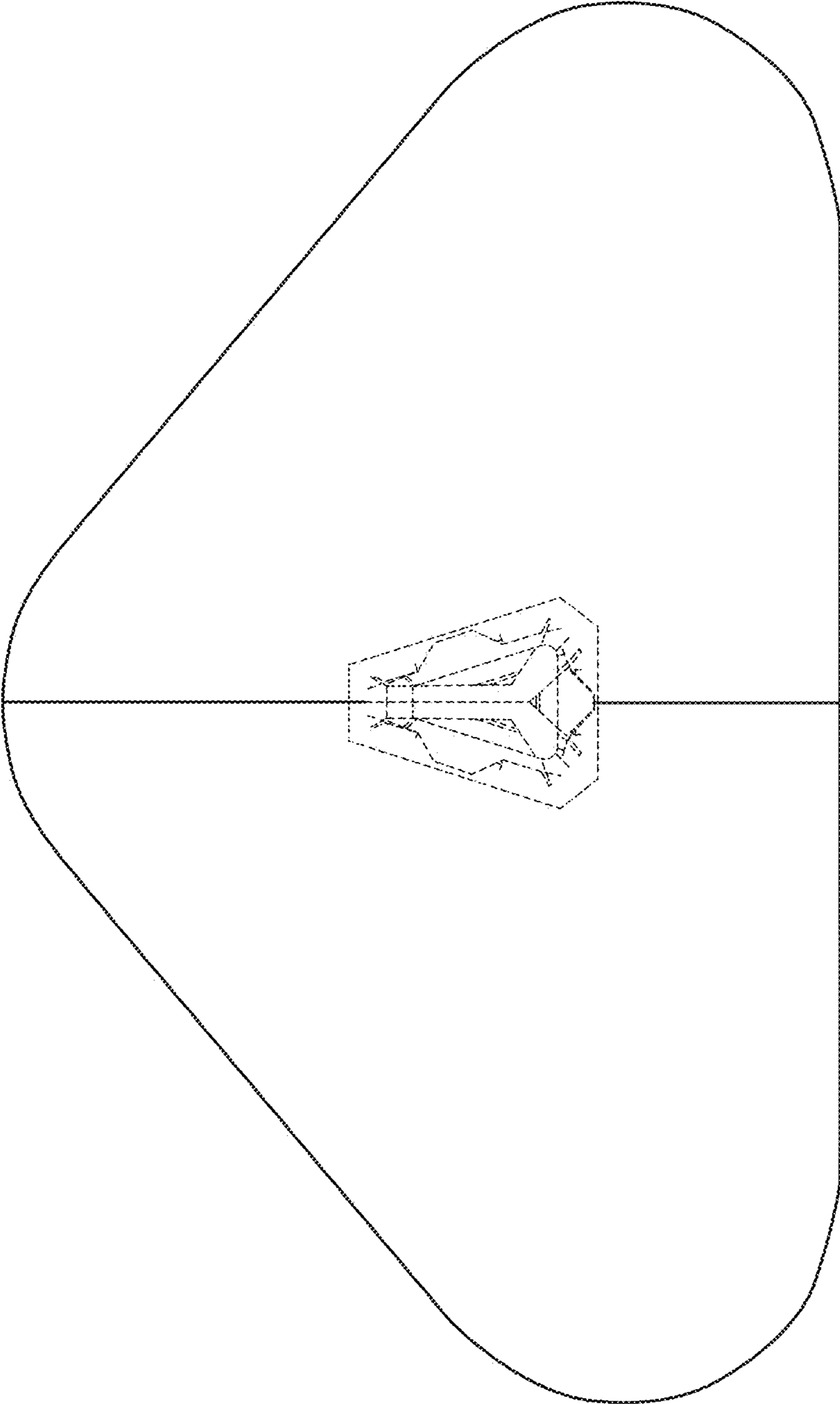


FIG. 44

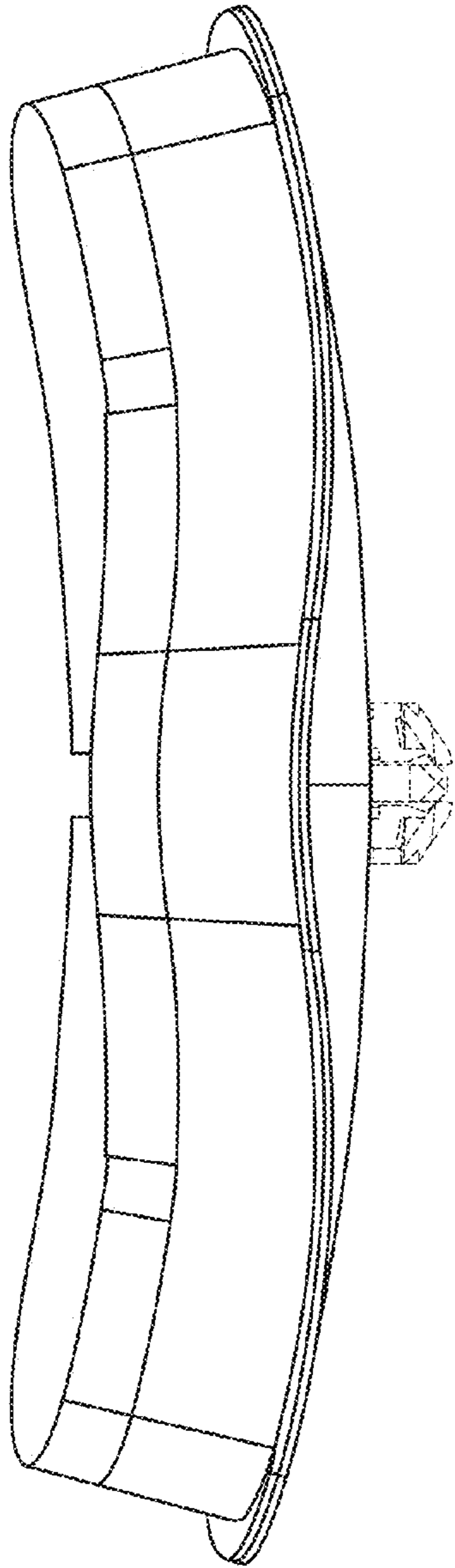


FIG. 45

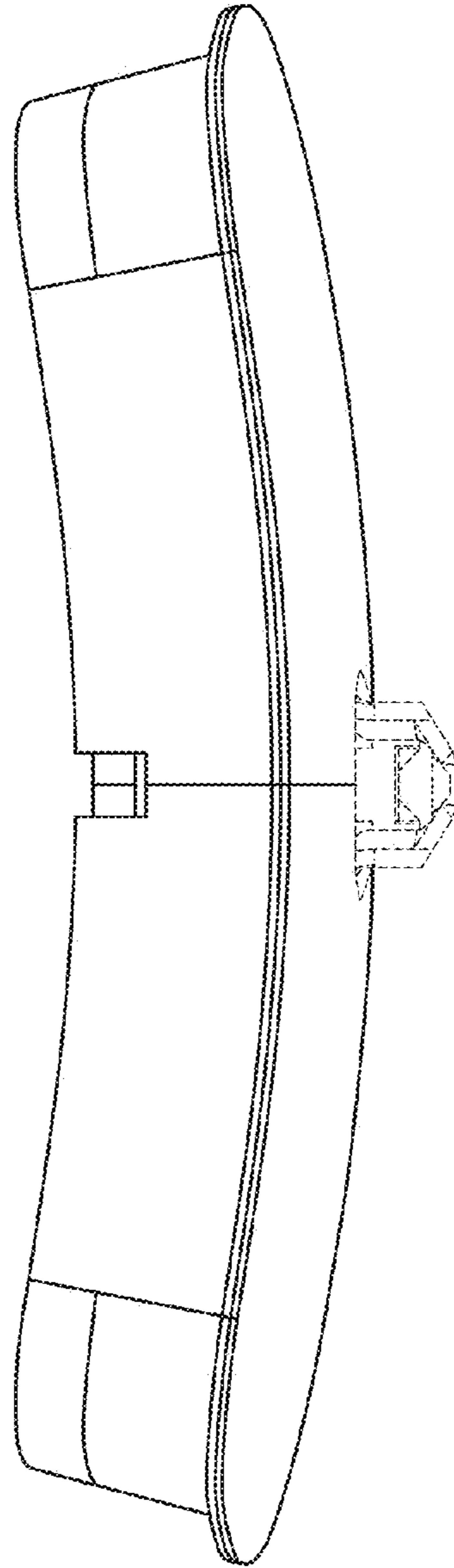


FIG. 46

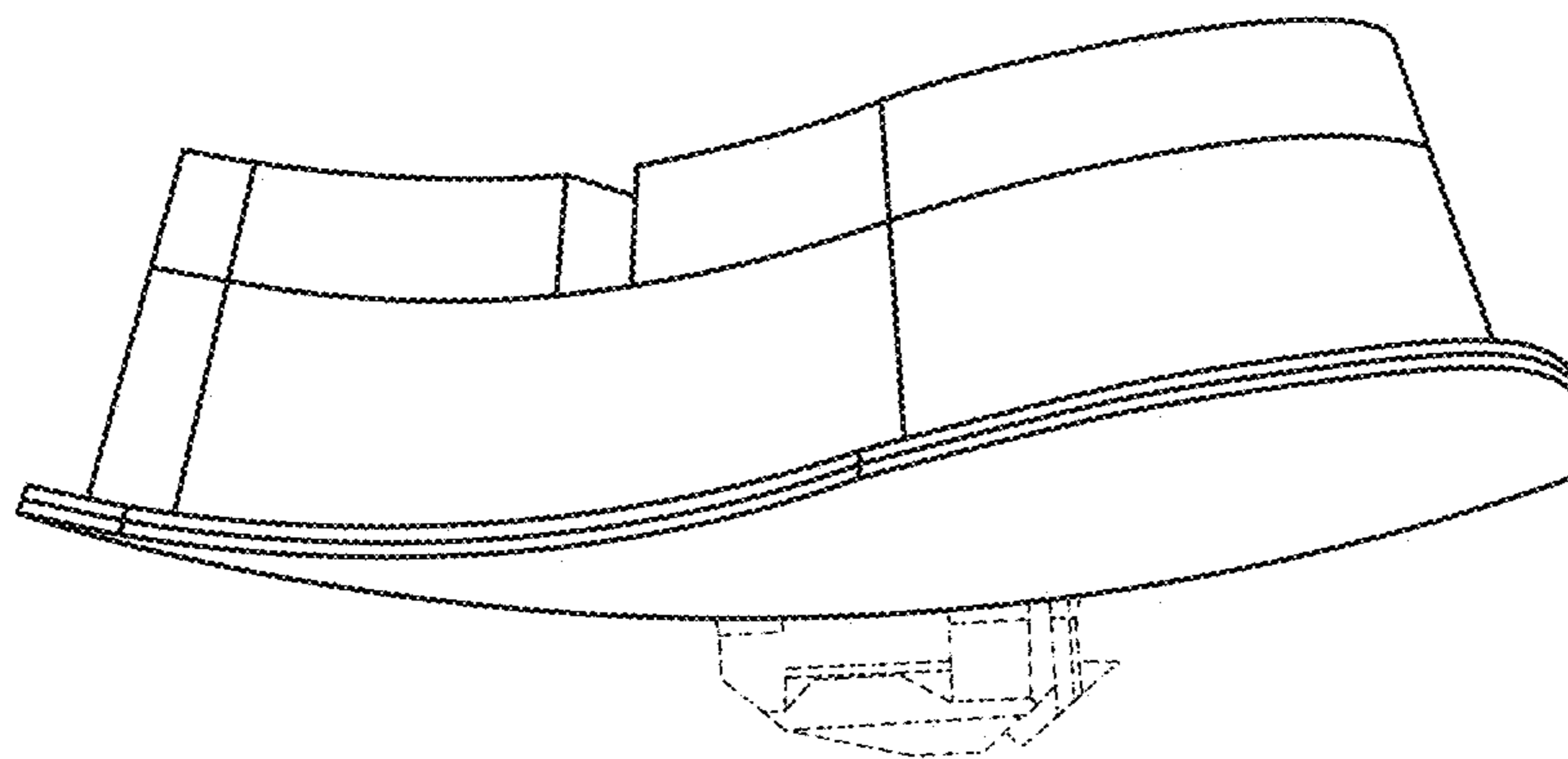


FIG. 47

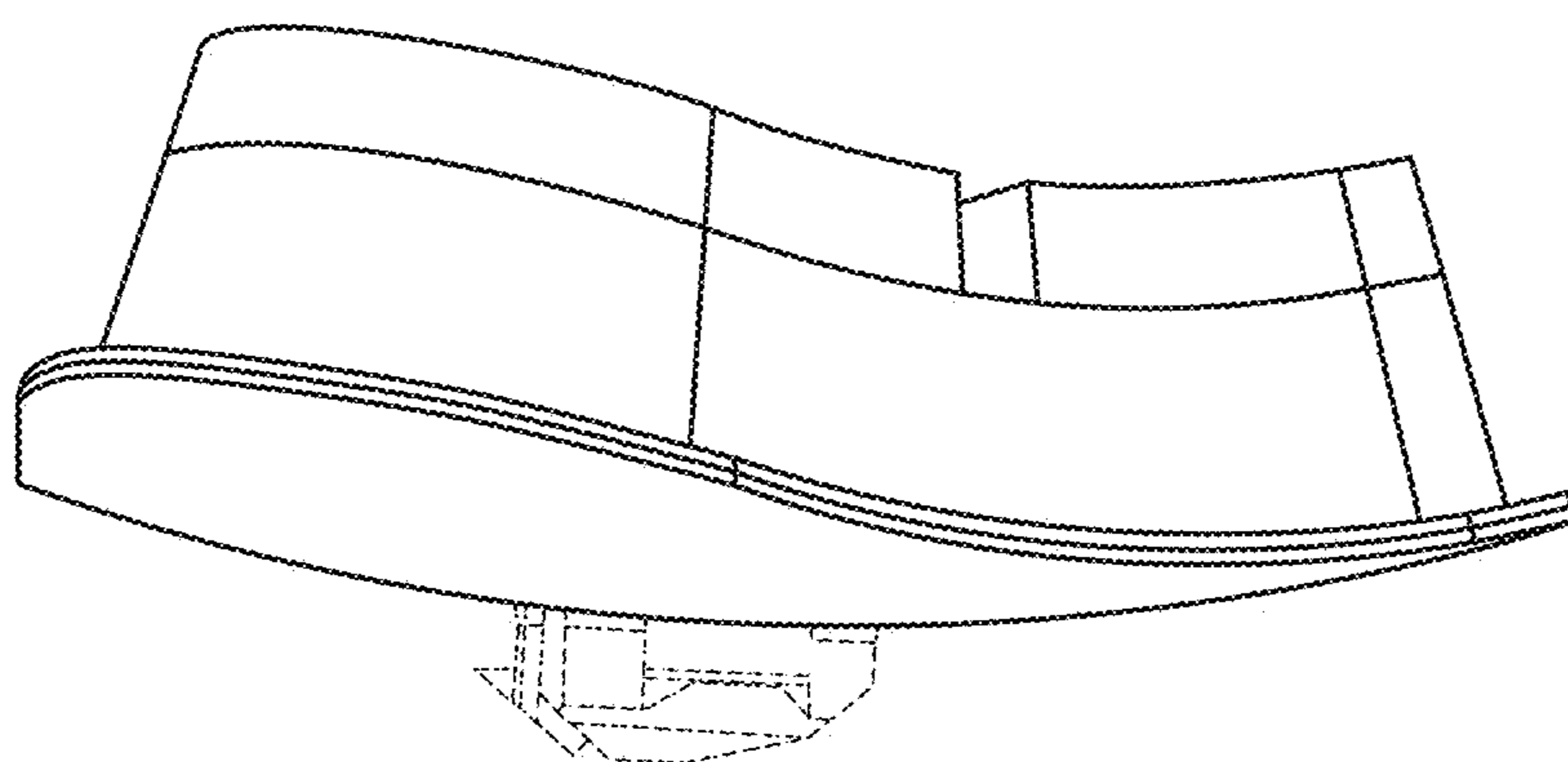


FIG. 48

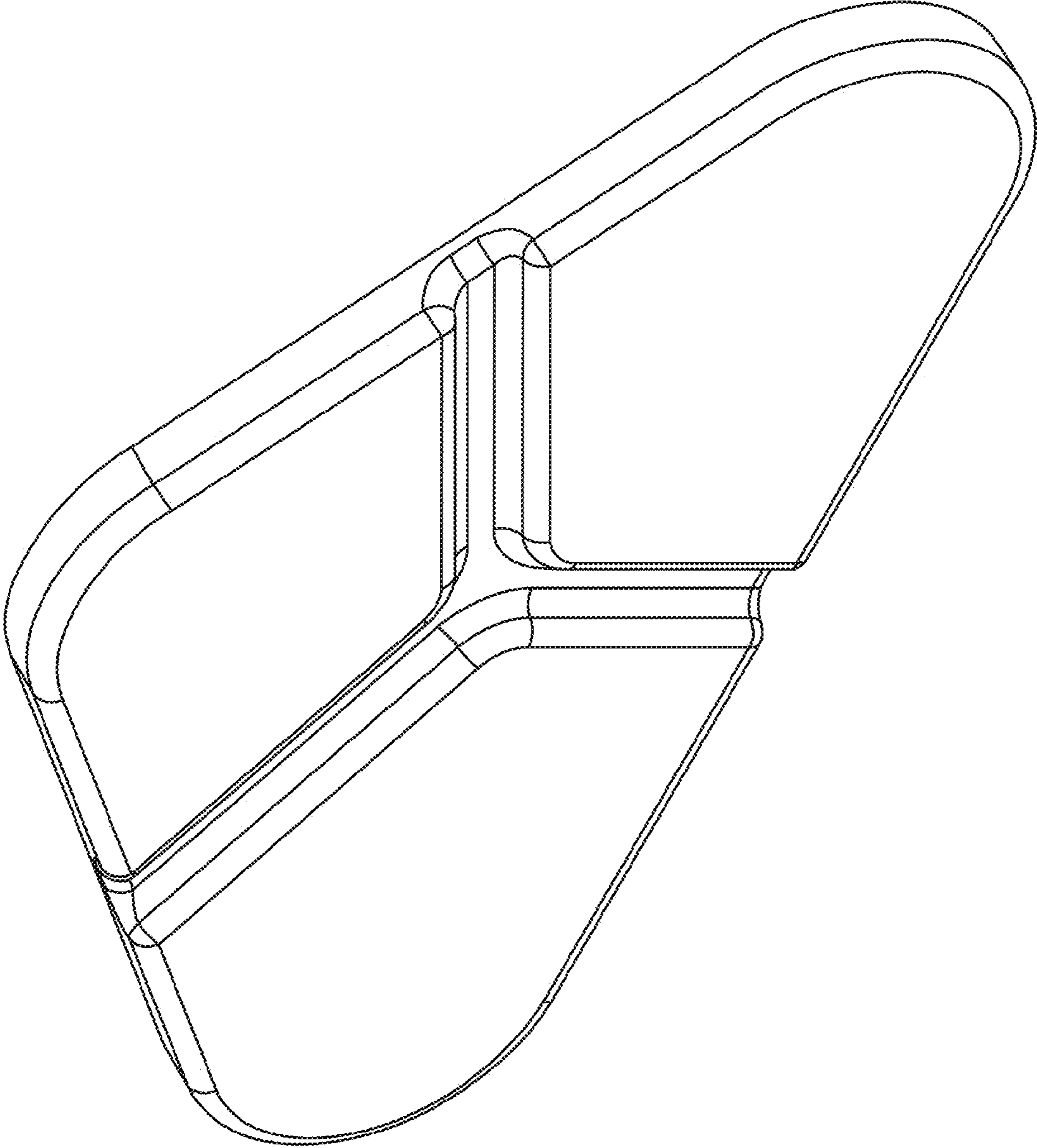


FIG. 49

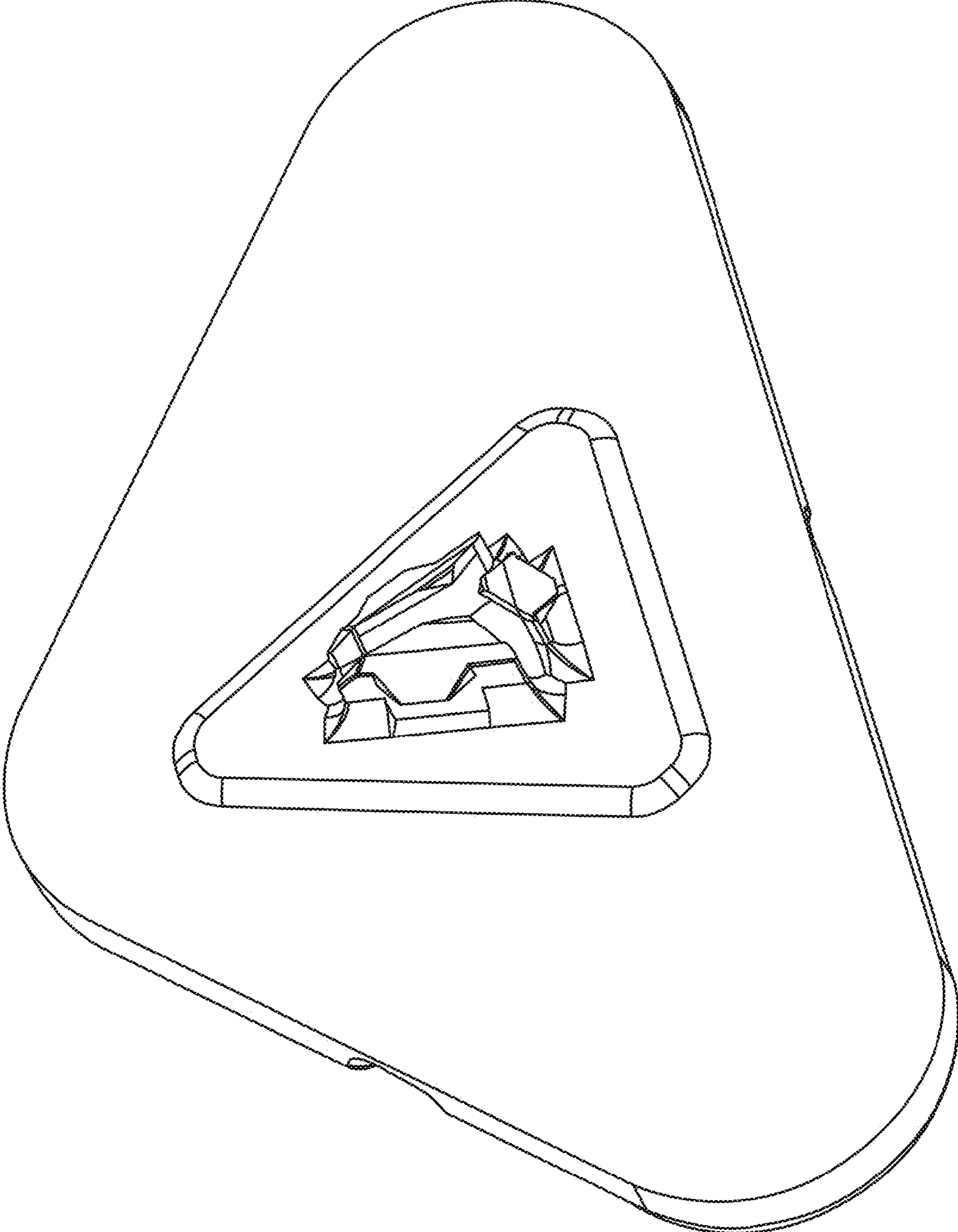


FIG. 50

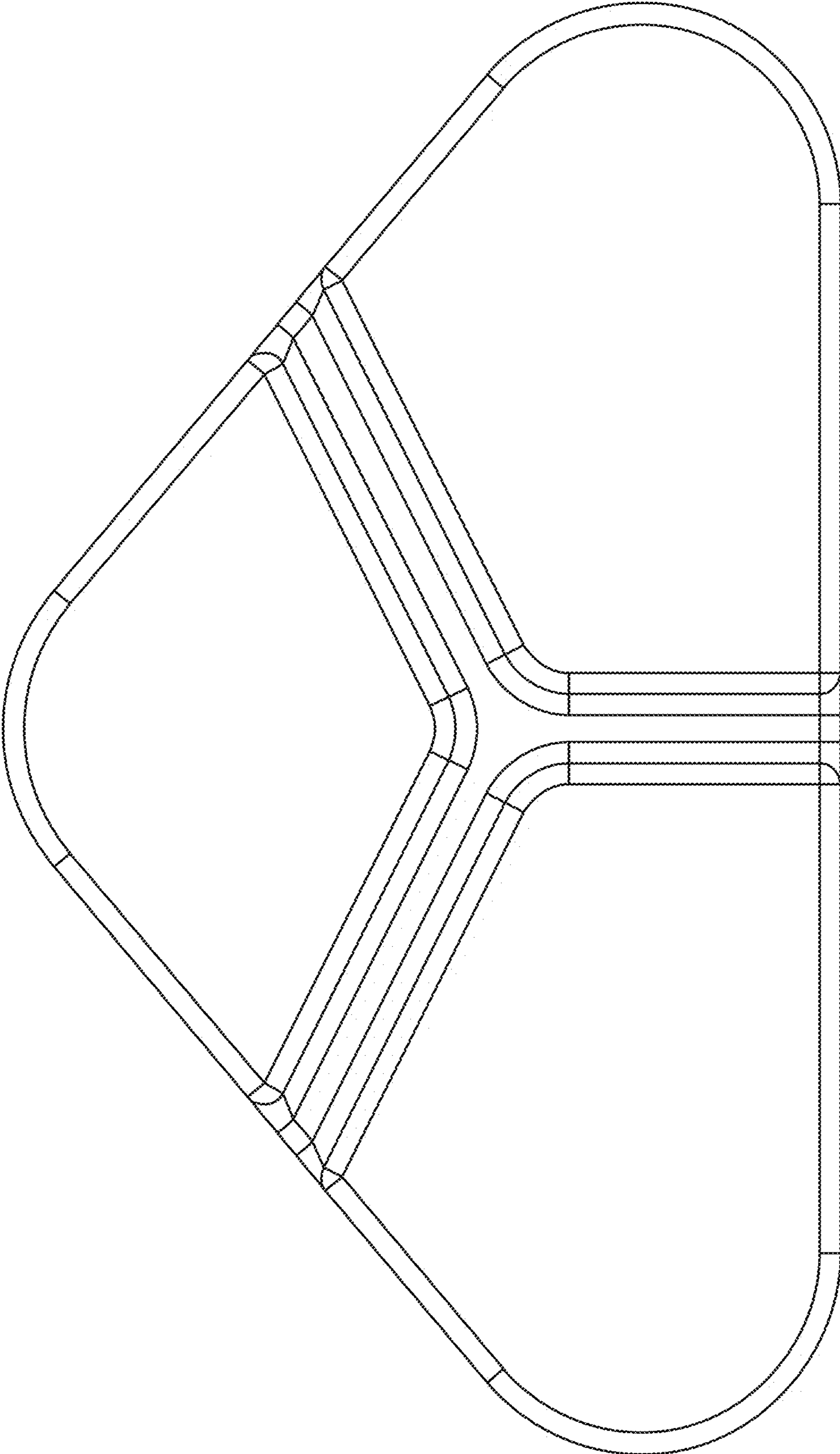


FIG. 51

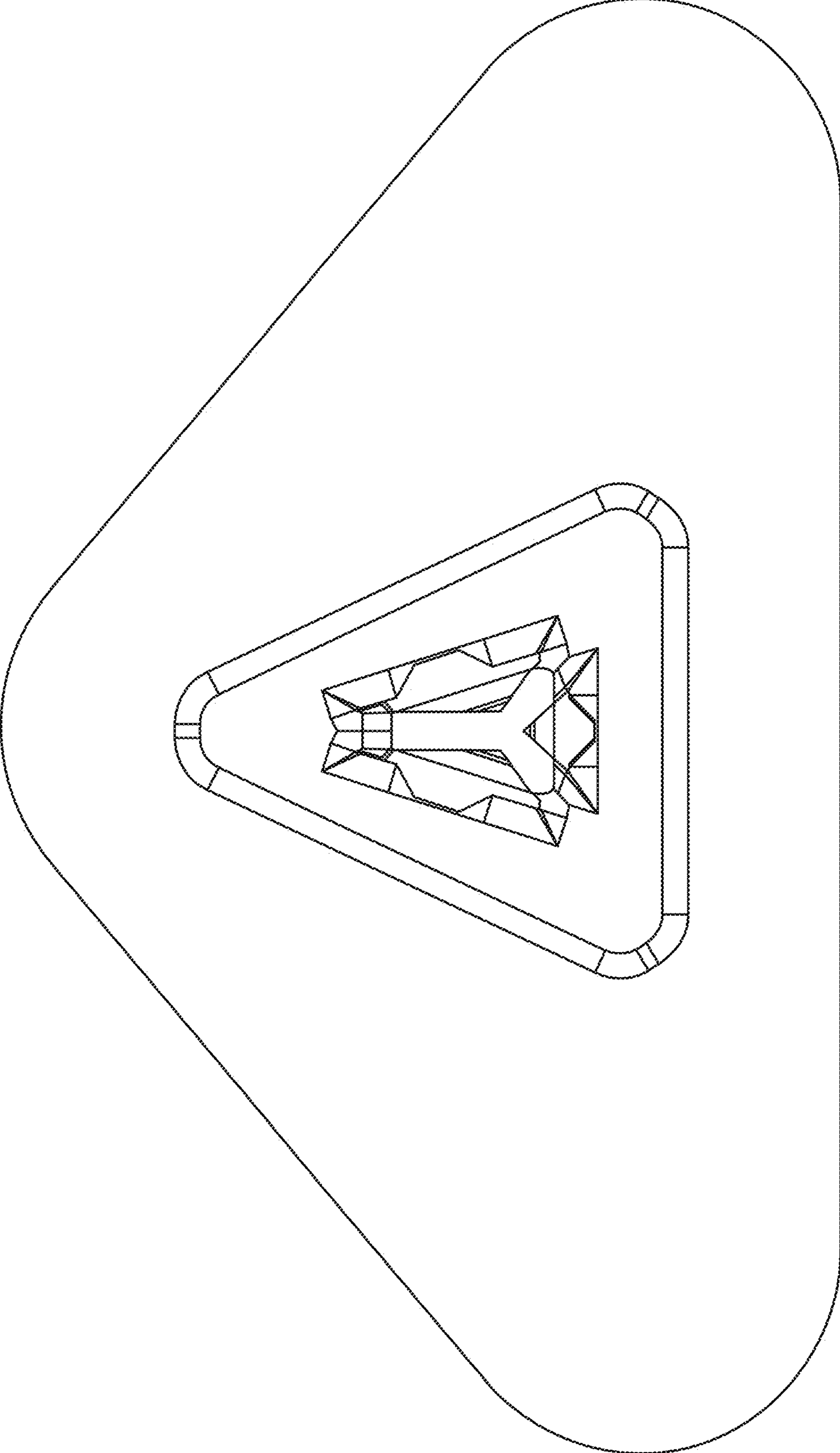


FIG. 52

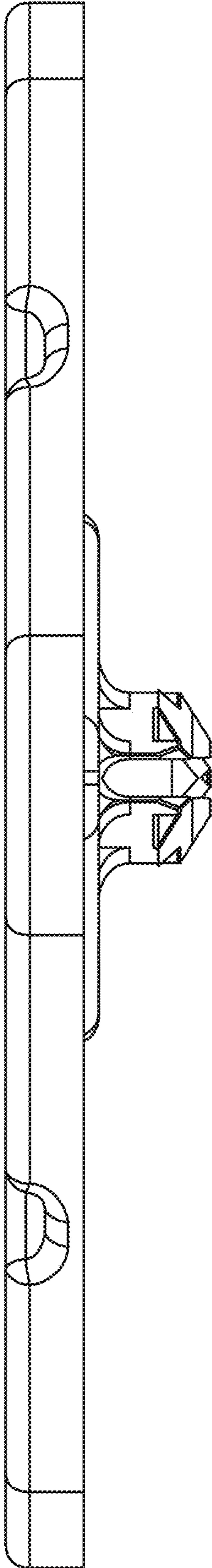


FIG. 53

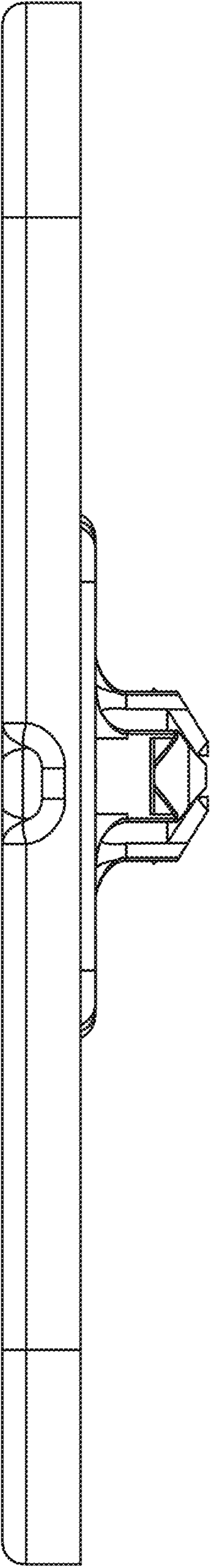


FIG. 54

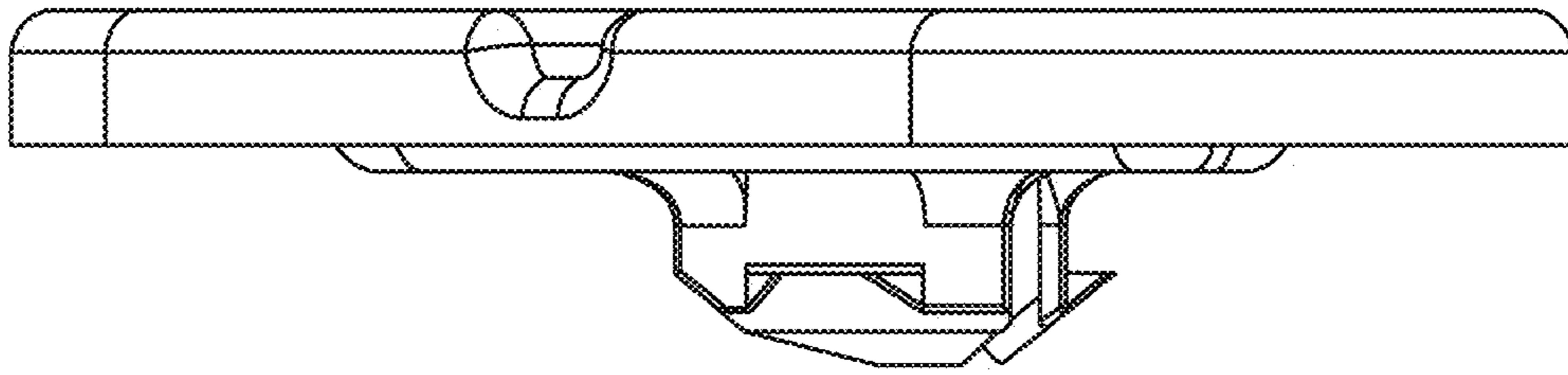


FIG. 55

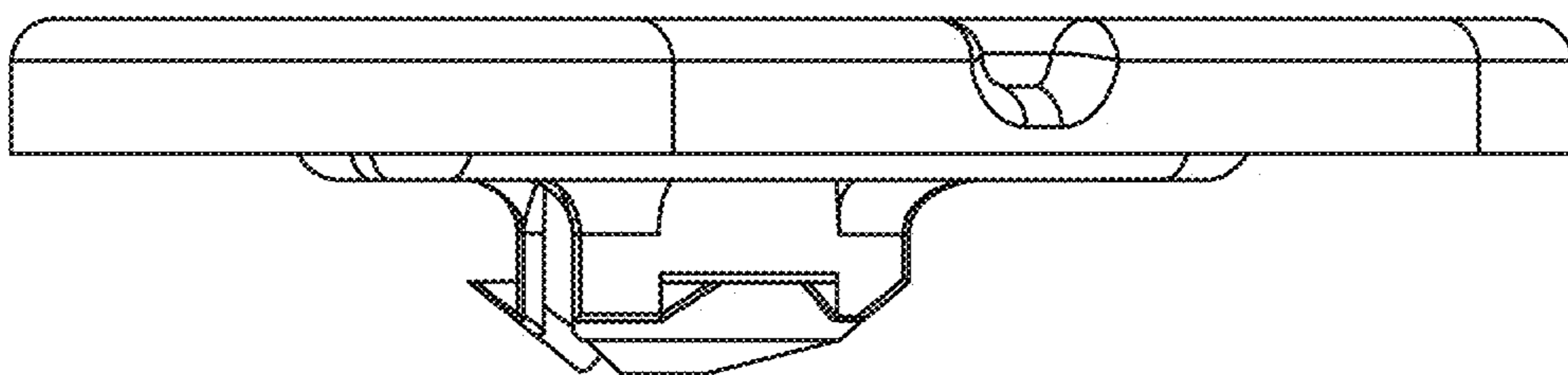


FIG. 56

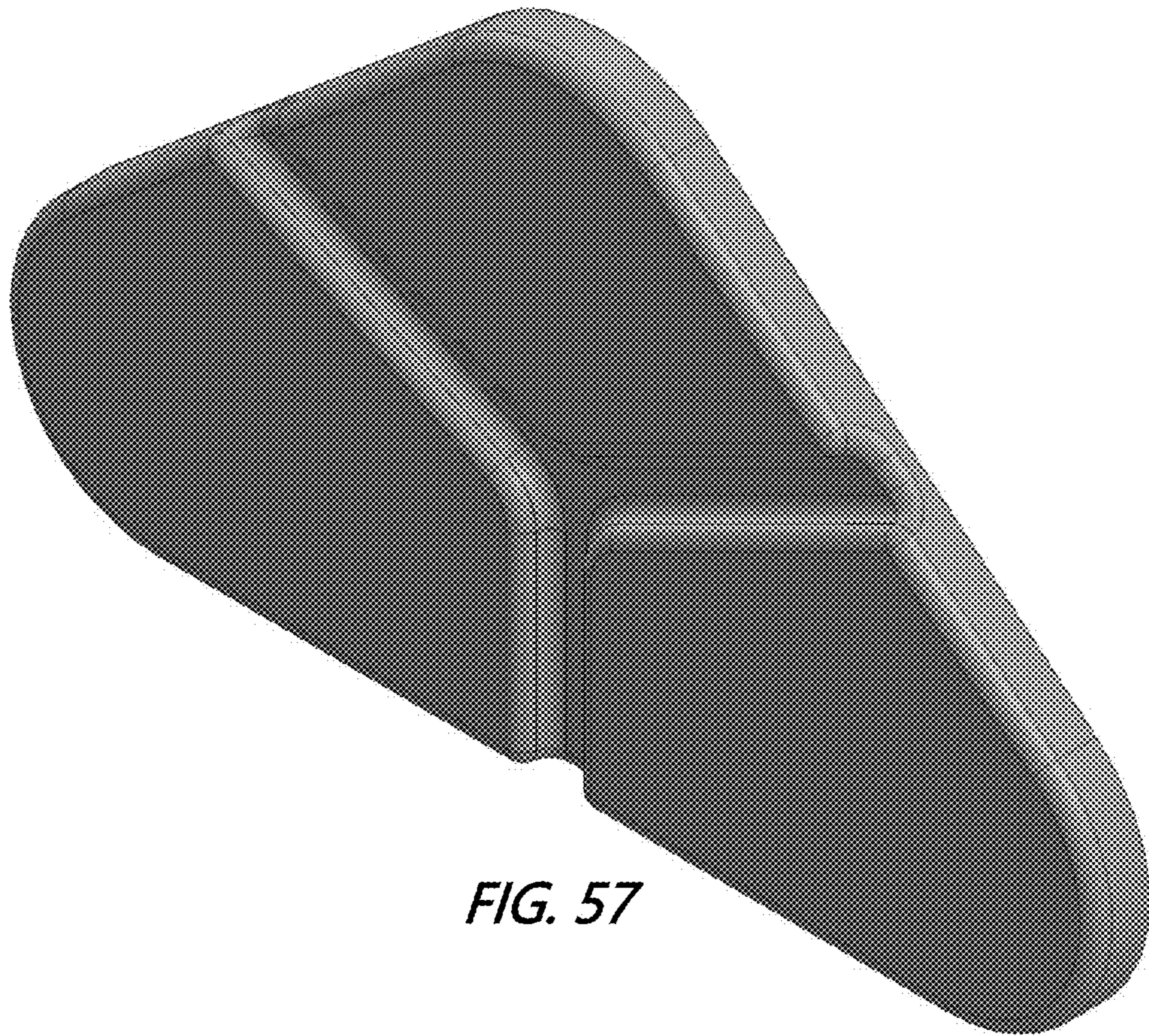


FIG. 57

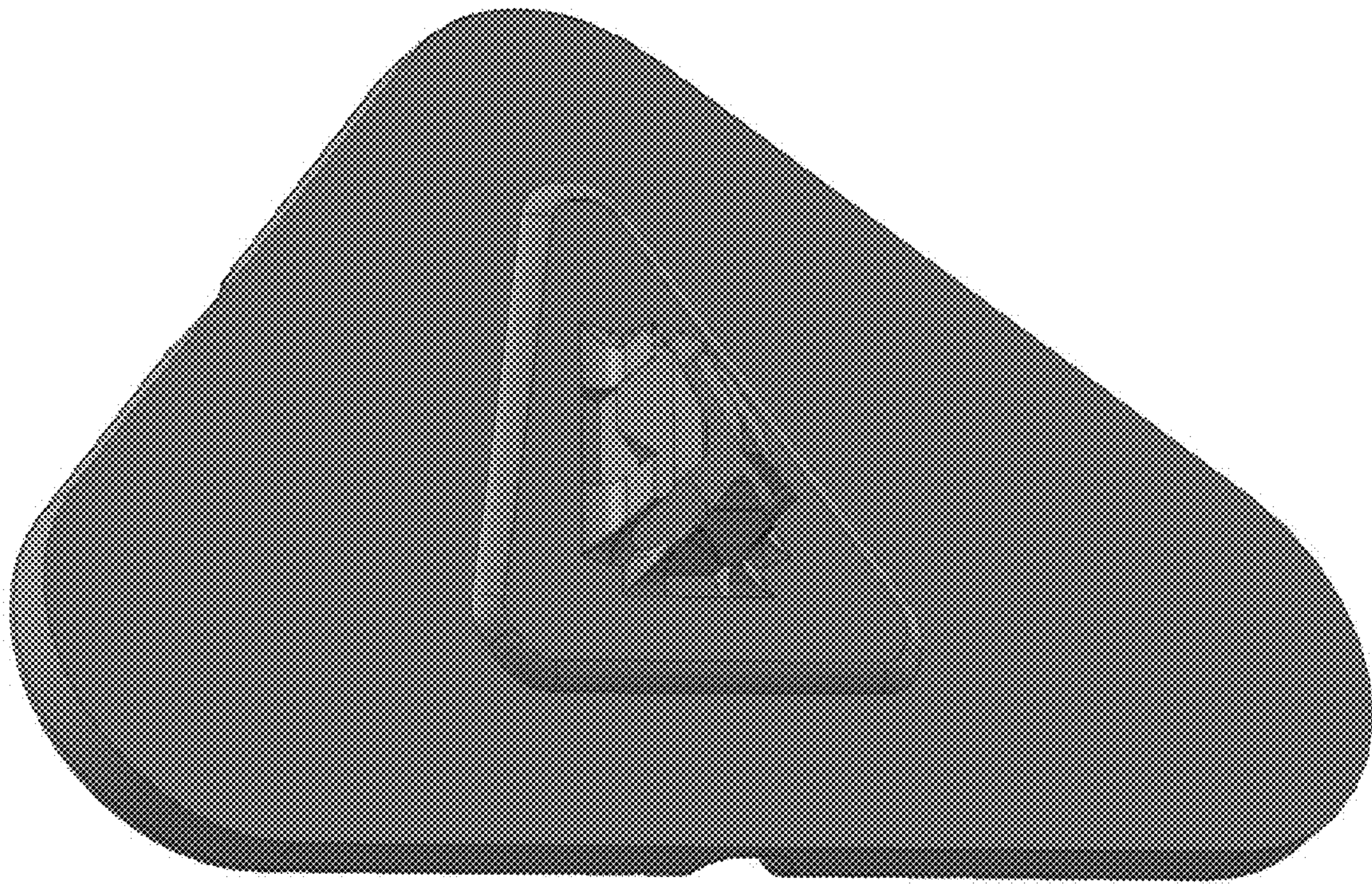


FIG. 58

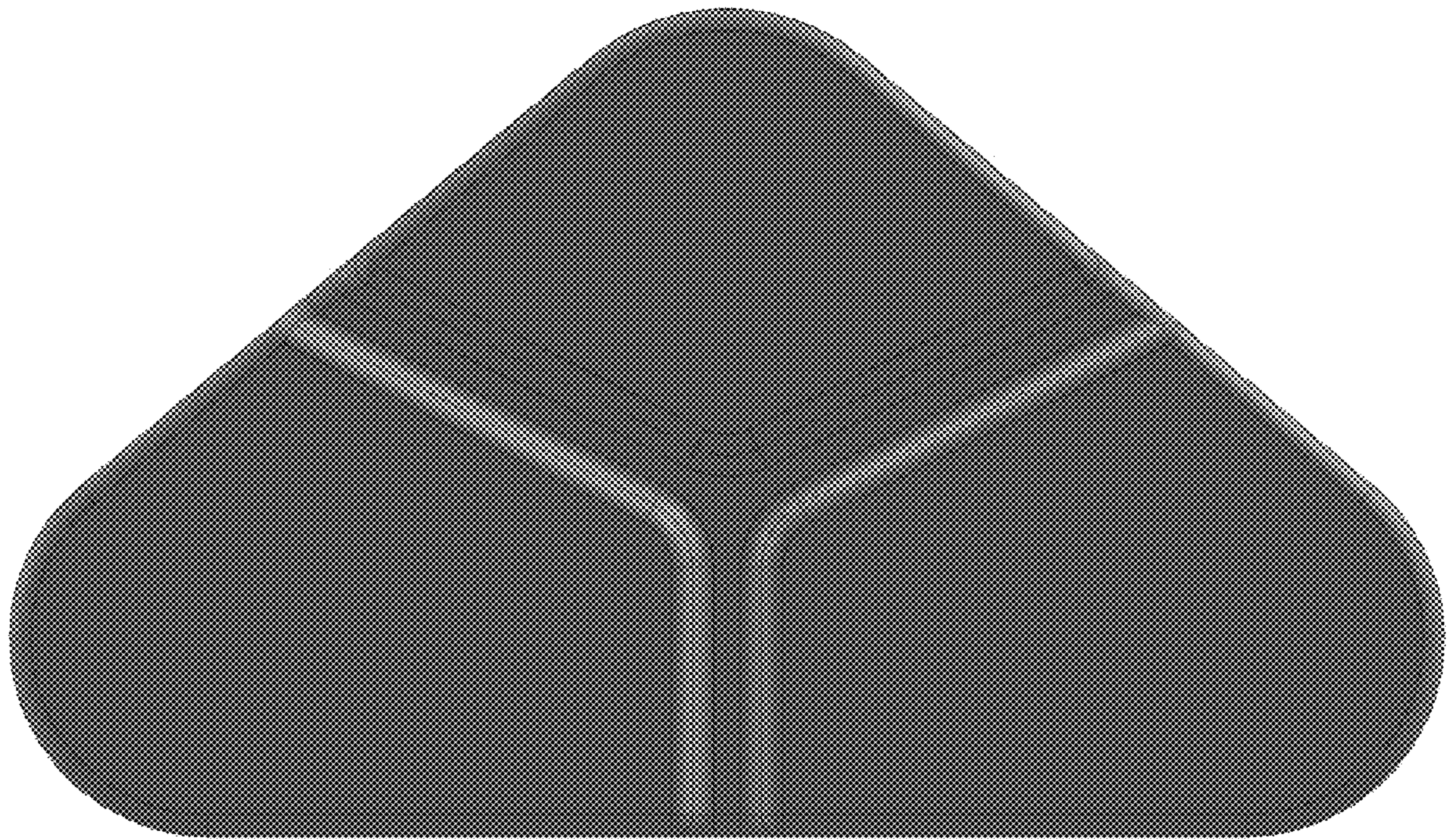


FIG. 59

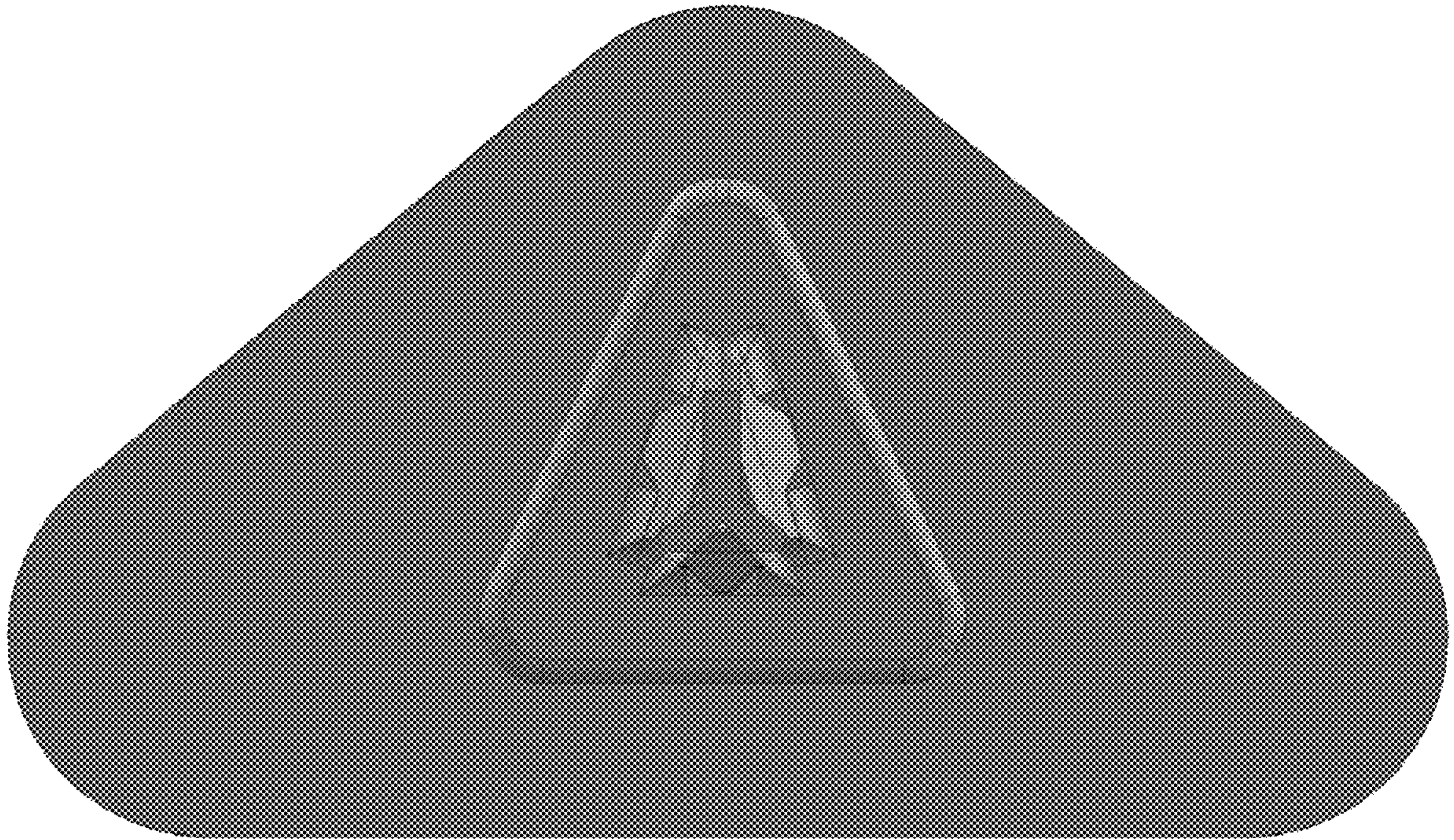


FIG. 60

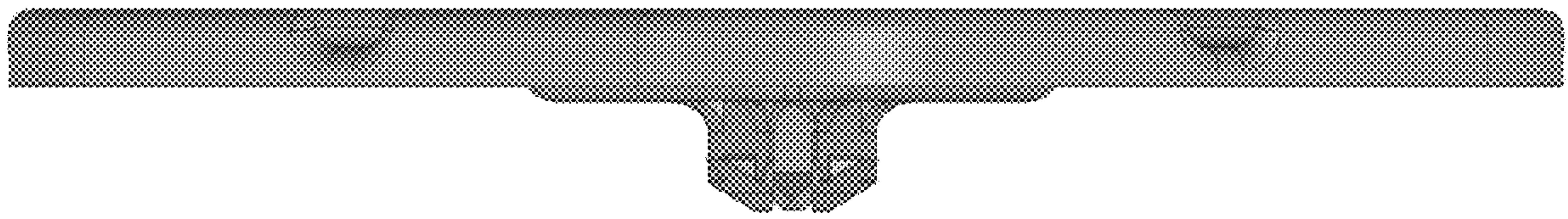


FIG. 61

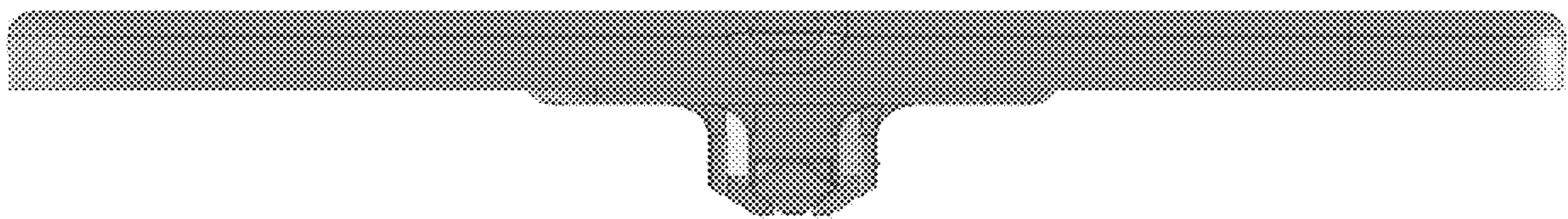


FIG. 62



FIG. 63

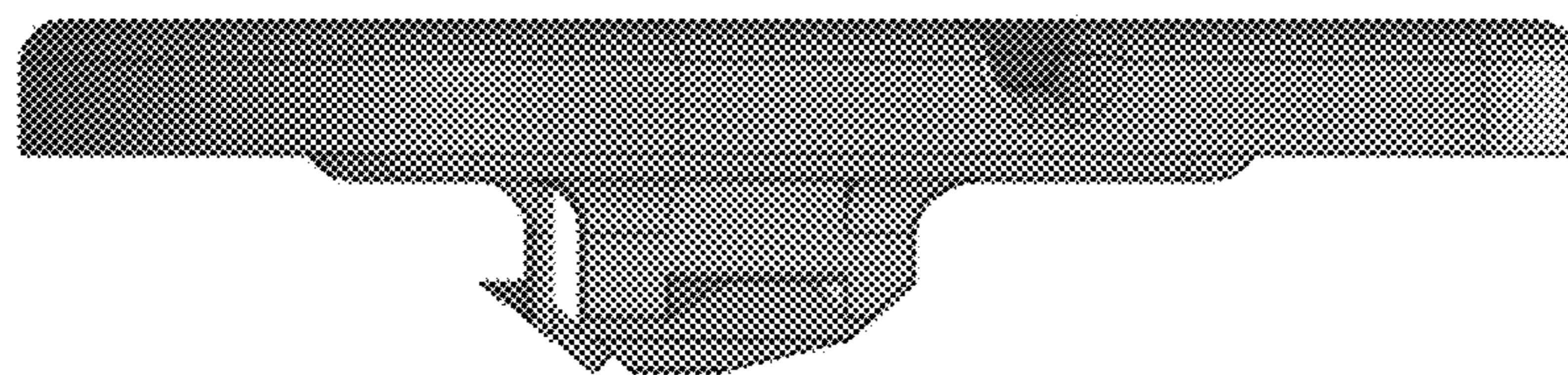


FIG. 64

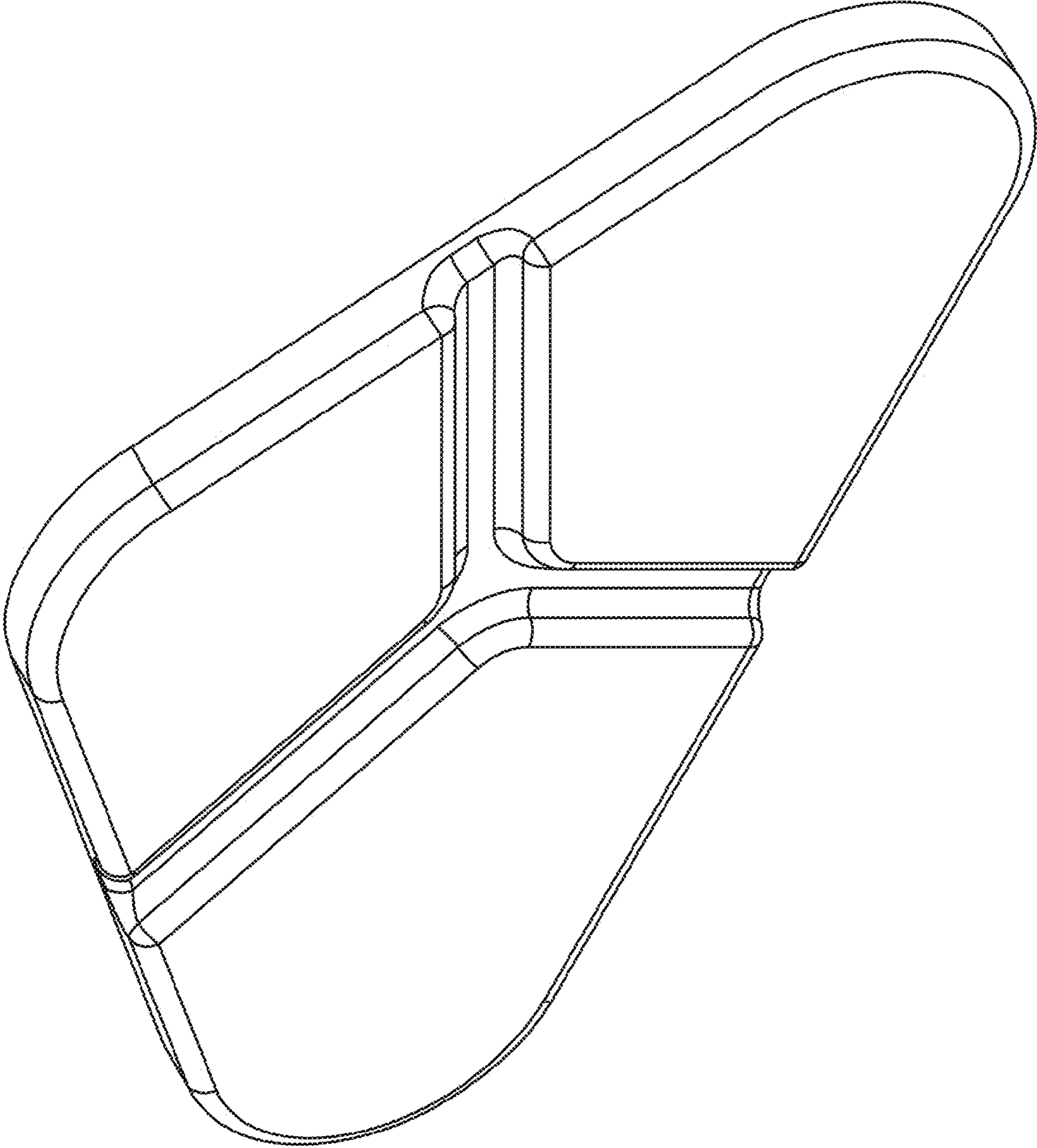


FIG. 65

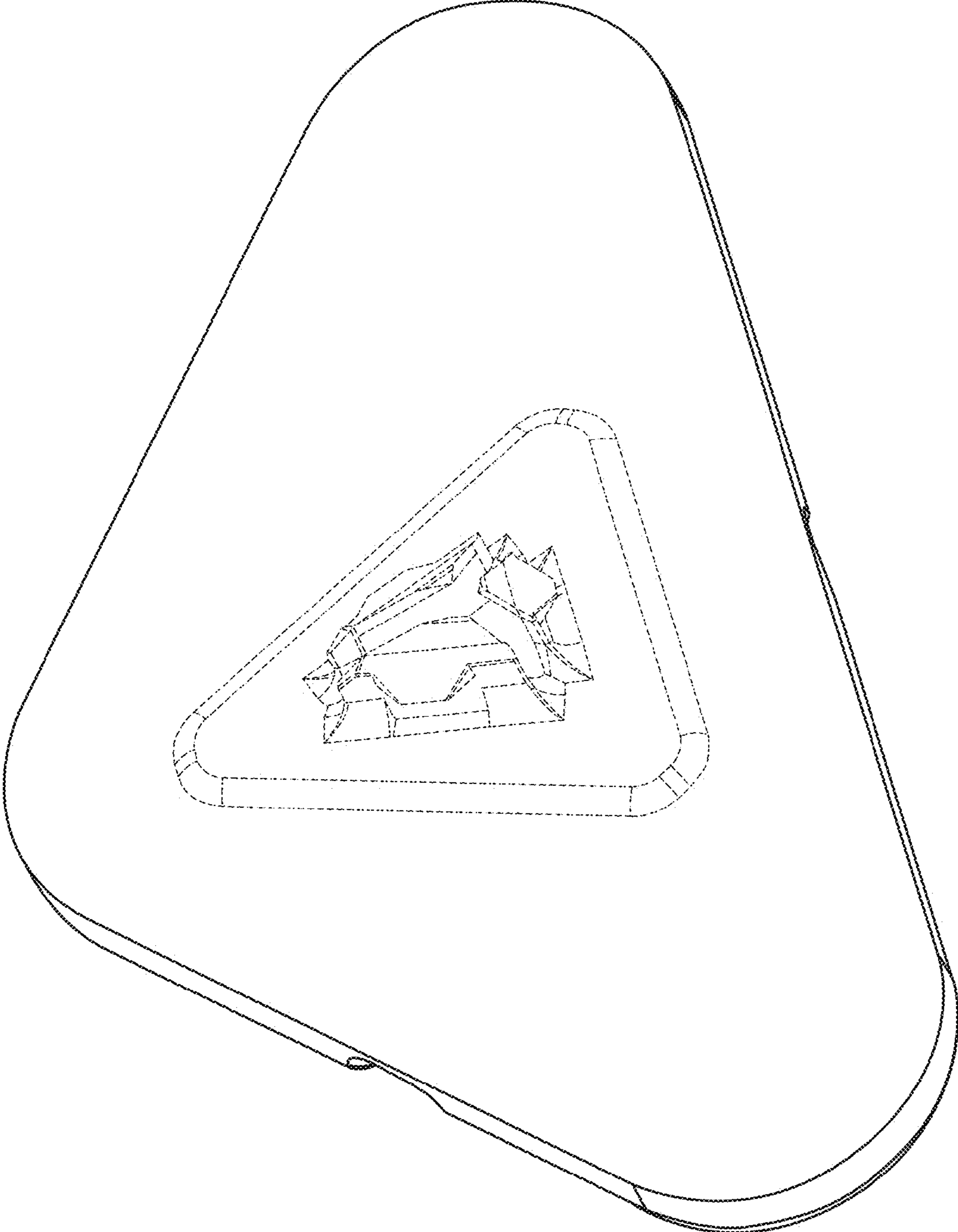


FIG. 66

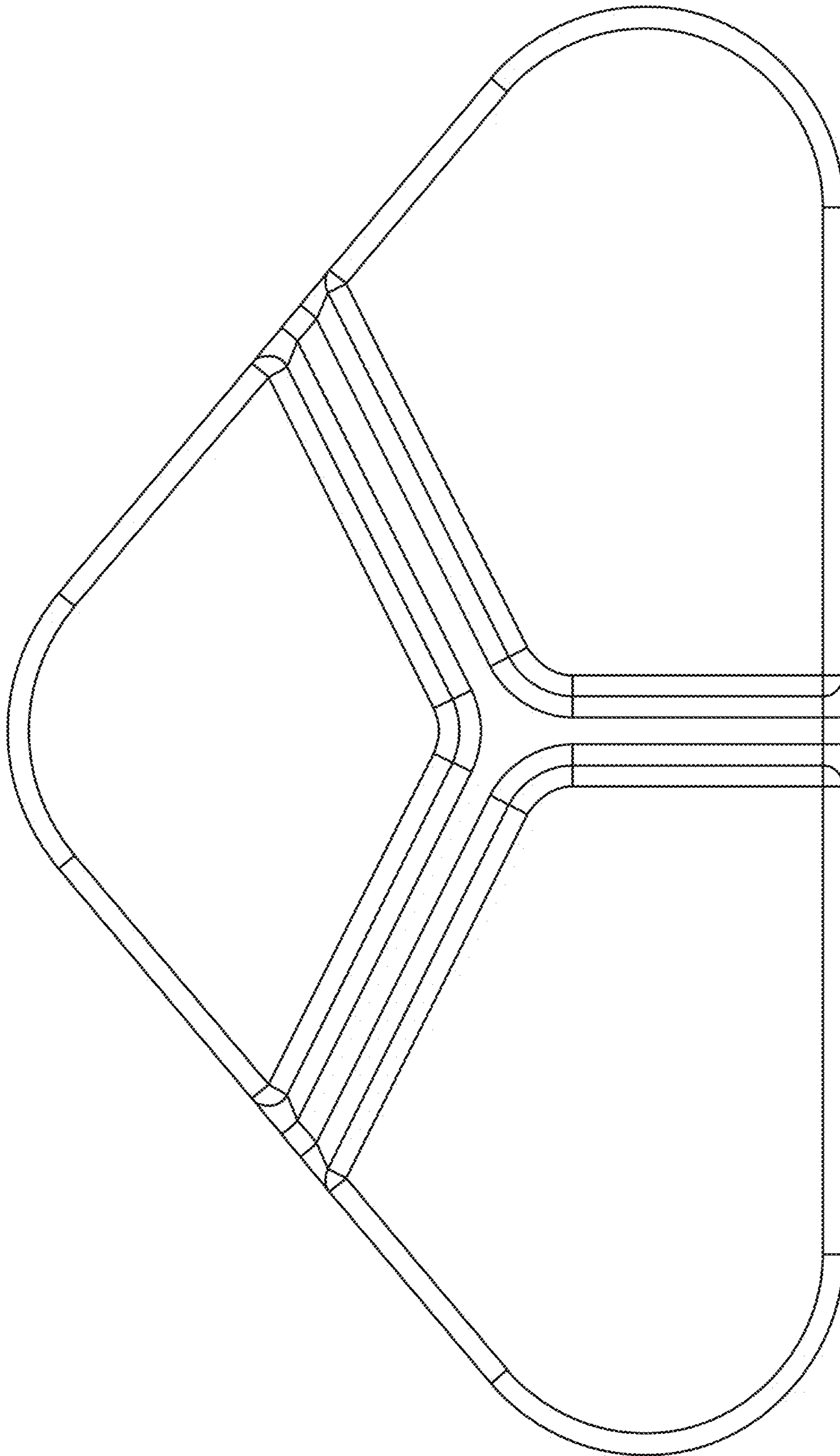


FIG. 67

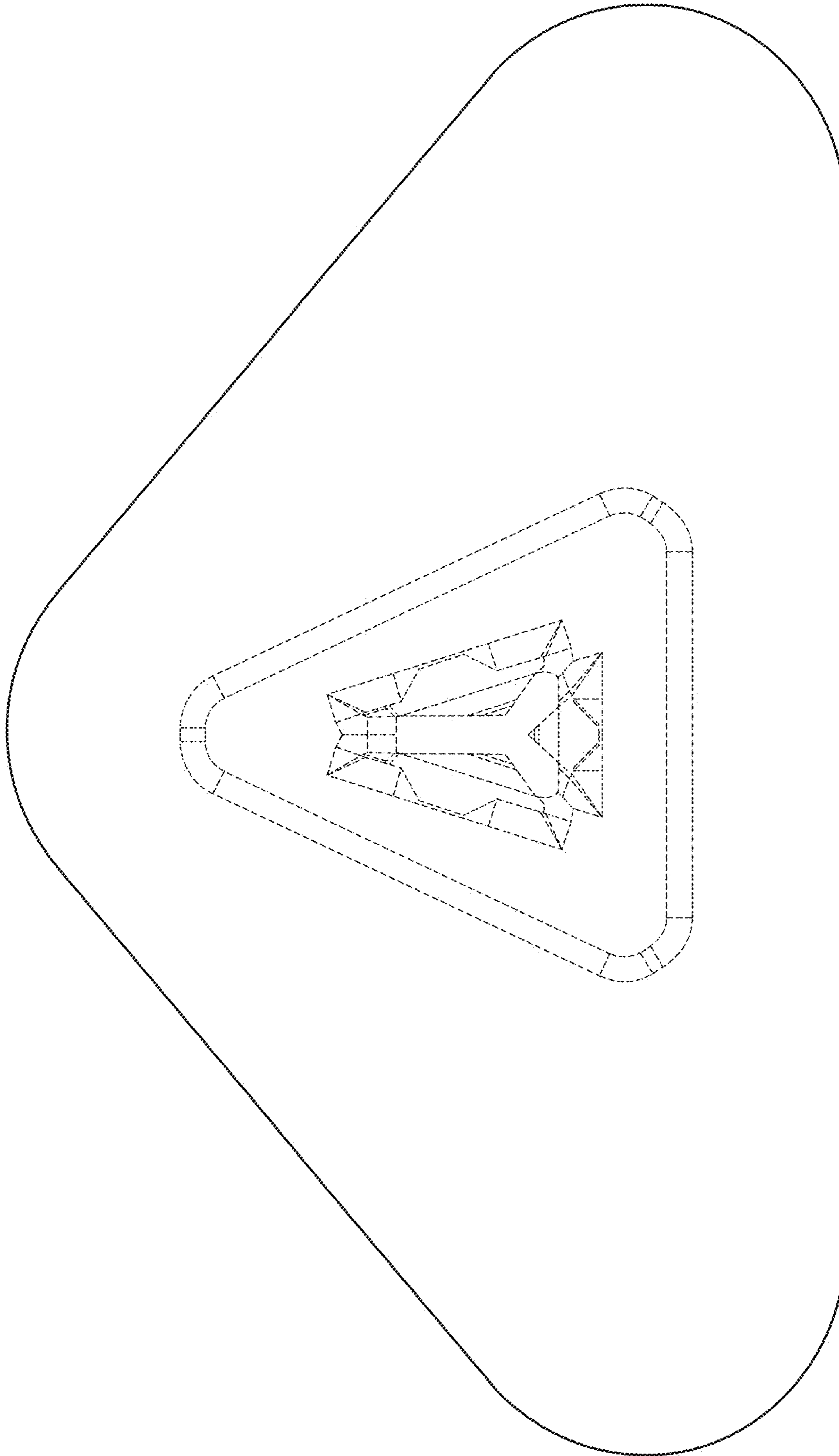


FIG. 68

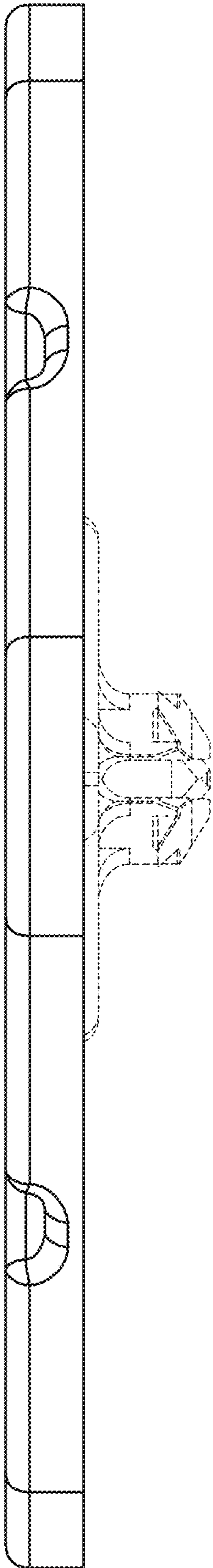


FIG. 69

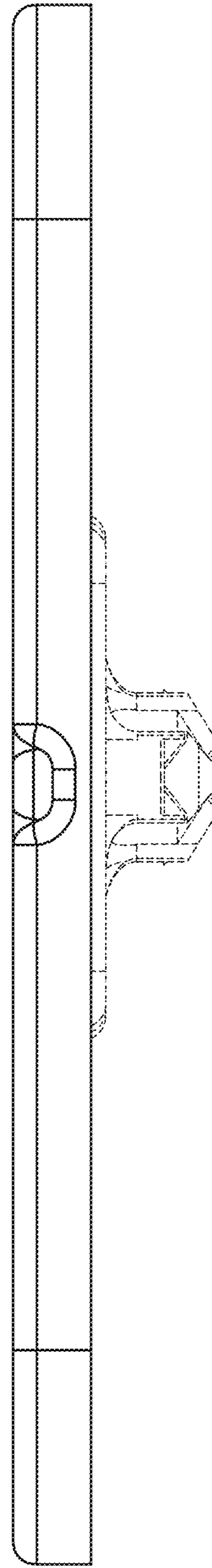


FIG. 70

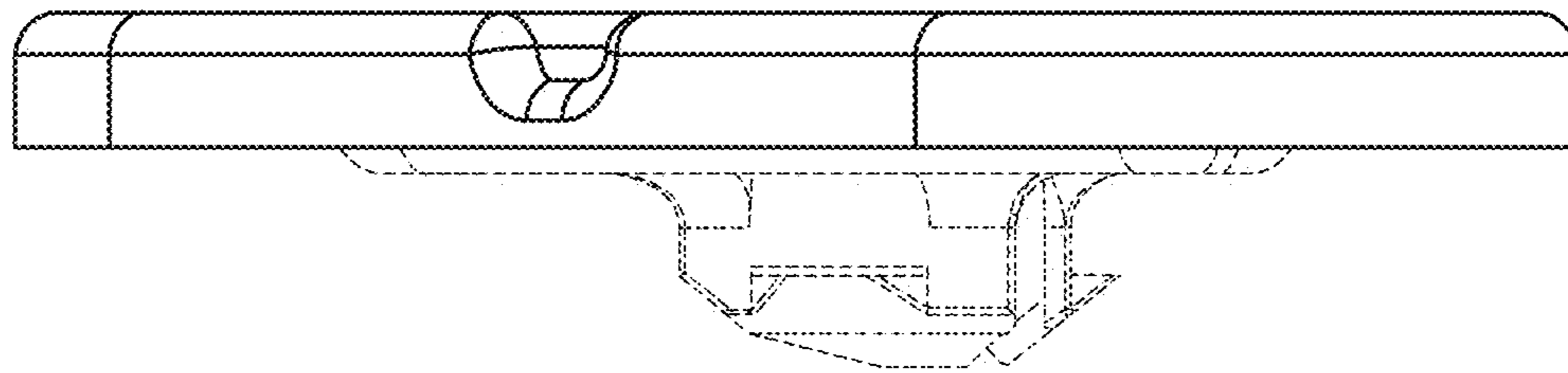


FIG. 71

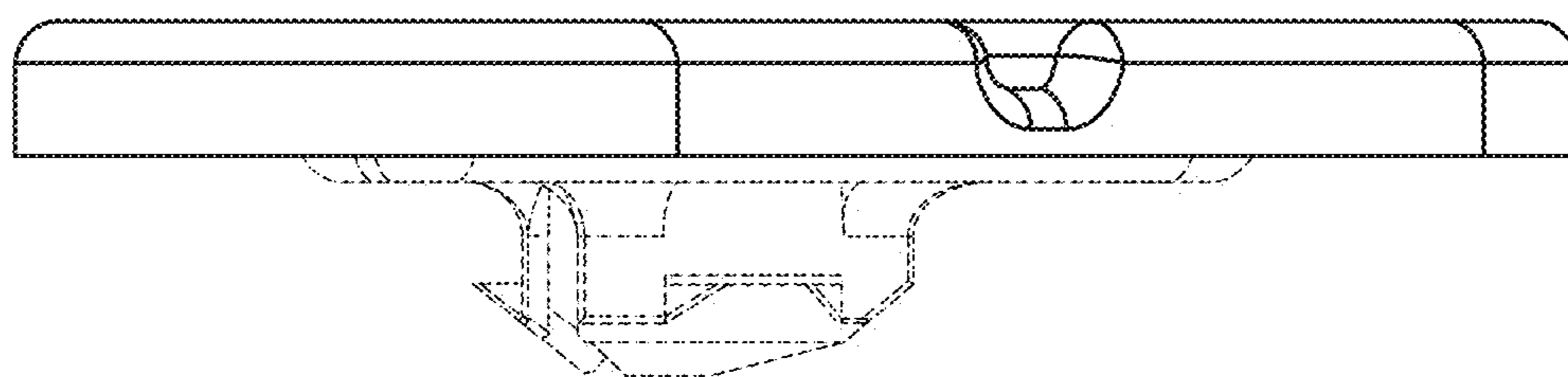


FIG. 72