



US00D951551S

(12) **United States Design Patent** (10) **Patent No.:** **US D951,551 S**
Culpepper et al. (45) **Date of Patent:** **** May 10, 2022**

(54) **FACE SHIELD**

(71) Applicant: **MASSACHUSETTS INSTITUTE OF TECHNOLOGY**, Cambridge, MA (US)

(72) Inventors: **Martin Luther Culpepper**, Georgetown, MA (US); **Jonathan Hunt**, Medford, MA (US); **Angelina Jay**, Cambridge, MA (US); **Seth Cimarron Avecilla**, Cambridge, MA (US); **Robyn Goodner**, Cambridge, MA (US)

(**) Term: **15 Years**

(21) Appl. No.: **29/730,030**

(22) Filed: **Mar. 31, 2020**

(51) **LOC (13) Cl.** **29-02**

(52) **U.S. Cl.**
USPC **D29/108**

(58) **Field of Classification Search**
USPC D2/866; D24/110.1, 110.2, 127; D28/4, D28/9; D29/105, 107, 108, 110
CPC A41D 13/11; A41D 13/1107; A41D 13/1161; A42B 3/225; A45D 44/12
See application file for complete search history.

(56) **References Cited**

U.S. PATENT DOCUMENTS

4,852,186 A * 8/1989 Landis A41D 13/1184 D29/110
D311,978 S * 11/1990 Metcalfe D28/9
D375,583 S * 11/1996 Landis A41D 13/1184 D29/108
D388,533 S * 12/1997 Uemura D28/4
D559,442 S * 1/2008 Regelbrugge D28/9
D886,369 S * 6/2020 Hasegawa D28/4
D910,241 S * 2/2021 Koefeld D24/110.1

D920,584 S * 5/2021 Weber D29/110
D925,834 S * 7/2021 Babin D28/9
D926,387 S * 7/2021 Goldberg D29/110
D928,414 S * 8/2021 Stevenson D29/110
D931,547 S * 9/2021 Oshima D29/110
D937,406 S * 11/2021 Chatin D24/110.1

FOREIGN PATENT DOCUMENTS

CN 305224386 * 6/2019
CN 305881212 * 6/2020
CN 306134455 * 10/2020
CN 306280850 * 1/2021

(Continued)

OTHER PUBLICATIONS

MIT COVID-19 Face Shield, announced in YouTube on Apr. 1, 2020 [online], [site visited Dec. 8, 2021], Available from the internet URL: <https://www.youtube.com/watch?v=Ydr0a7P63zY> (Year: 2020).*

(Continued)

Primary Examiner — Janice Patyk

Assistant Examiner — Elizabeth Anne Glassberg

(74) *Attorney, Agent, or Firm* — Lathrop GPM LLP; Wm. Tucker Griffith; Laura Labeots

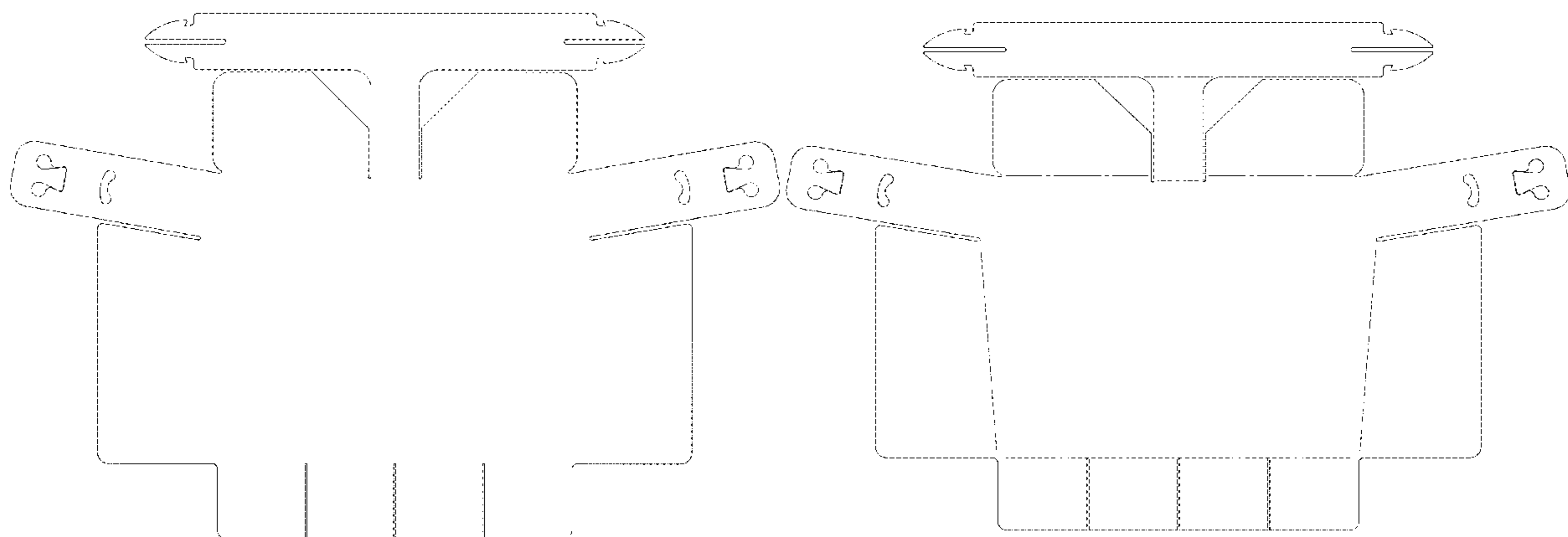
(57) **CLAIM**

The ornamental design for a face shield, as shown and described.

DESCRIPTION

FIG. 1 is a front view of embodiment one of a face shield with the back view being a mirror image thereof, showing our new design; and, FIG. 2 is a front view of embodiment two of a face shield with the back view being a mirror image thereof. The dot-dash broken lines on the face shield of FIG. 2 are included to show unclaimed fold lines on the article.

1 Claim, 2 Drawing Sheets



(56)

References Cited

FOREIGN PATENT DOCUMENTS

RU 00058674 * 2/2006

OTHER PUBLICATIONS

Transforming Nike Air to Help Frontline Healthcare Workers, available in news.nike.com, announced Apr. 7, 2020 [online], [site visited Dec. 8, 2021], Internet URL: <https://news.nike.com/news/nike-ppe-face-shields-covid-19-support> (Year: 2020).*

Coronavirus: 4 Clever Face Shields Tackling the Pandemic With Design-Thinking, available in archipanic.com, announced Apr. 9, 2020 [online], [site visited Dec. 8, 2021], Internet URL: <https://www.archipanic.com/face-shields/> (Year: 2020).*

Assemble and adjust your Face Shield, available in apple.com, announced Apr. 8, 2020 [online], [site visited Dec. 8, 2021], Internet URL: <https://support.apple.com/en-us/HT211028> (Year: 2020).*

* cited by examiner

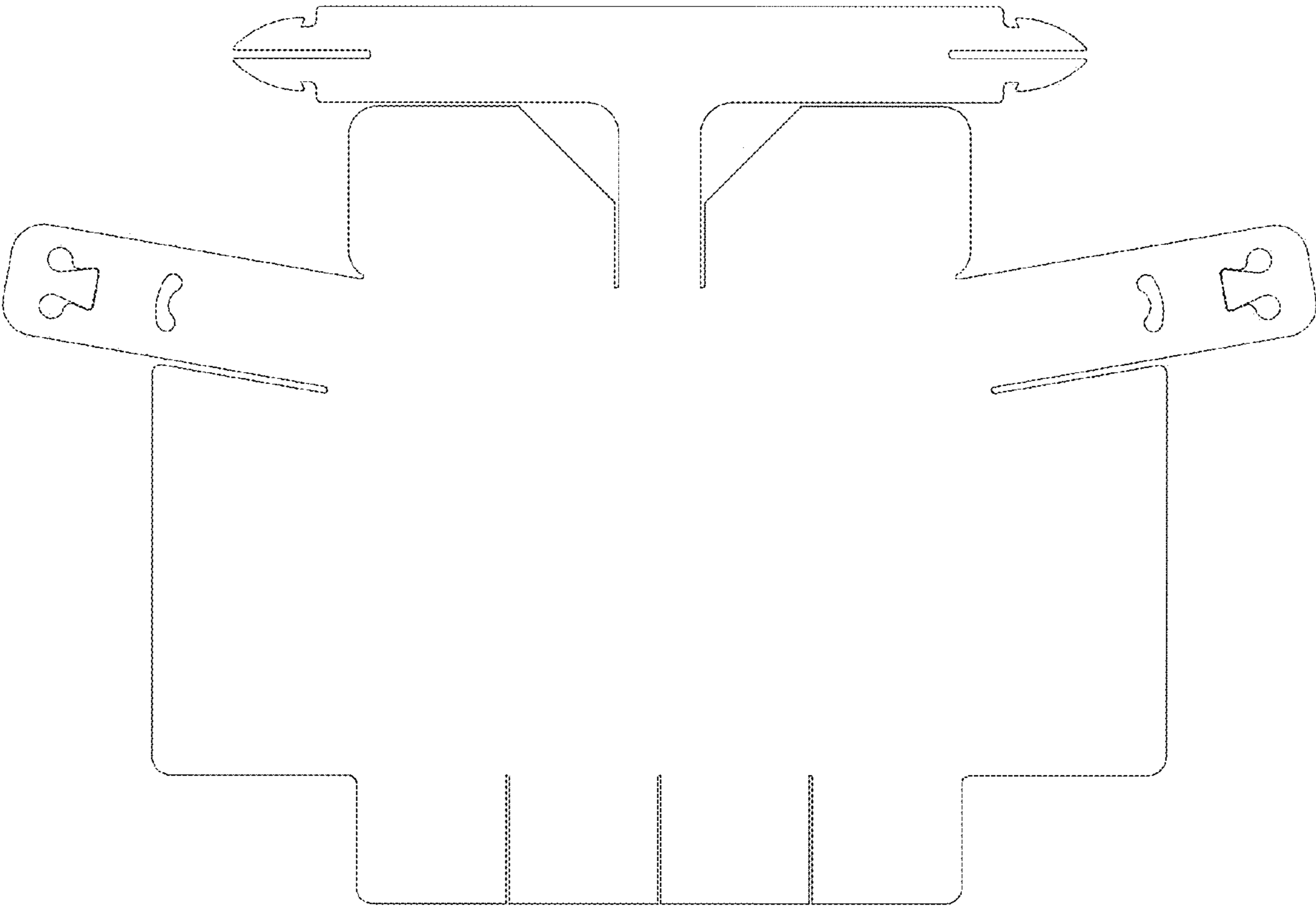


FIG. 1

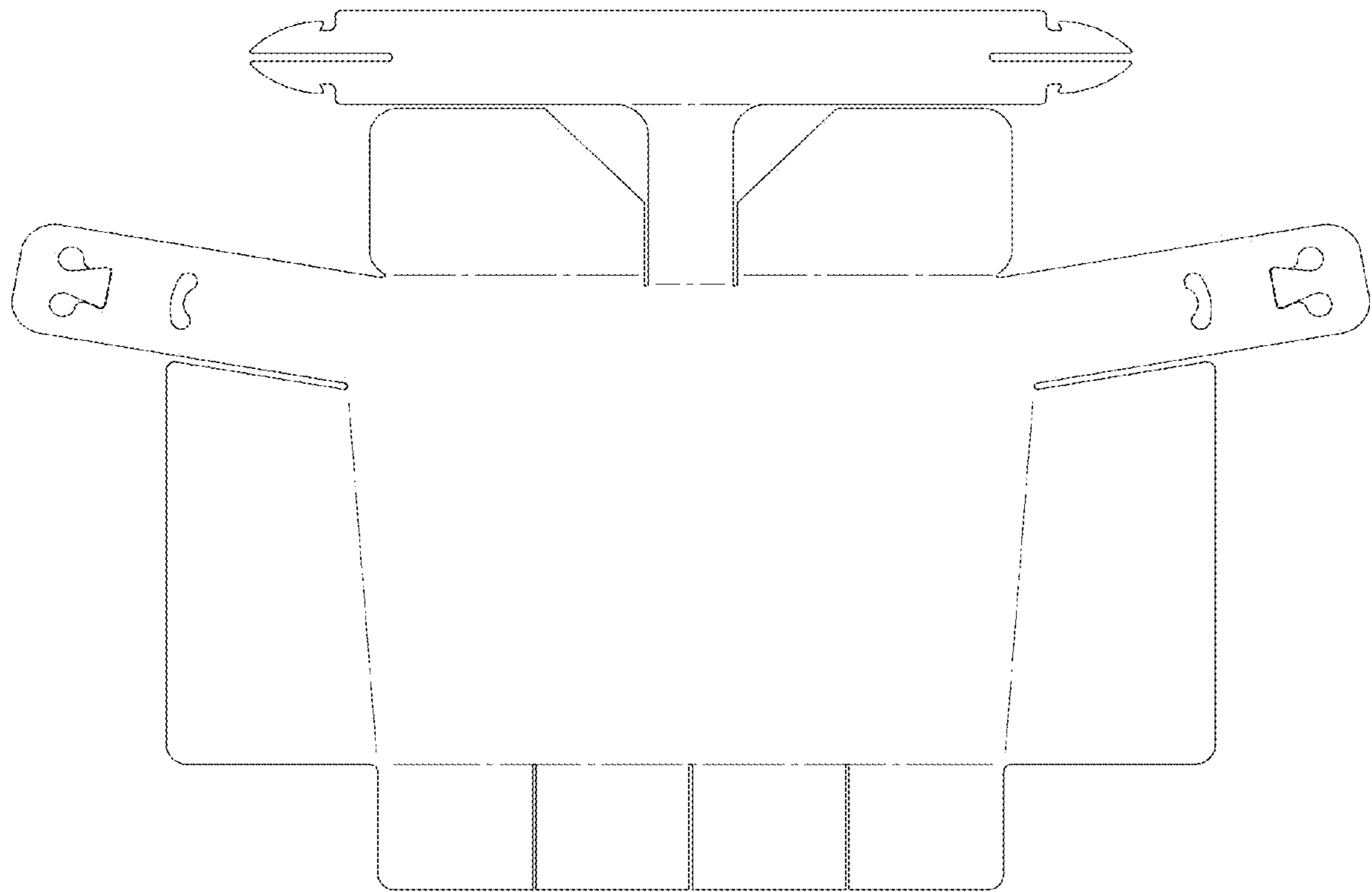


FIG. 2