



US00D951547S

(12) **United States Design Patent**  
**Huang**

(10) **Patent No.:** **US D951,547 S**

(45) **Date of Patent:** **\*\* May 10, 2022**

(54) **BATH GLOVE FOR HEAD MASSAGE**

(71) Applicant: **Jiahui Huang**, Shenzhen (CN)

(72) Inventor: **Jiahui Huang**, Shenzhen (CN)

(\*\*) Term: **15 Years**

(21) Appl. No.: **29/741,020**

(22) Filed: **Jul. 9, 2020**

(51) **LOC (13) Cl.** ..... **28-03**

(52) **U.S. Cl.**  
USPC ..... **D28/63; D29/117.2**

(58) **Field of Classification Search**  
USPC ..... D28/63; D4/130, 134, 136, 137, 138,  
D4/199, 119, 120, 211, 124, 125;  
D8/303, 316; D24/214, 215; D2/610,  
D2/617, 623; D29/113, 114, 117.1,  
D29/117.2; 15/227; D32/43; D30/158  
CPC ..... A47K 7/022; A47K 7/043; A47K 7/02;  
A46B 2200/1006; A47L 13/16; A47L  
13/18

See application file for complete search history.

(56) **References Cited**

**U.S. PATENT DOCUMENTS**

168,836	A *	10/1875	Hall	.....	A47J 17/02 30/123.5
547,057	A *	10/1895	Bailey	.....	15/227
D113,093	S *	1/1939	Pearson	.....	D28/63
D347,709	S *	6/1994	Pearson	.....	D28/63
D398,086	S *	9/1998	Ferdenzi	.....	D28/63
5,944,031	A *	8/1999	Farley	.....	A46B 11/063 132/271

D809,714	S *	2/2018	Lim	.....	A41D 19/01505 D29/117.1
D839,488	S *	1/2019	Whiteside	.....	D2/617
D902,503	S *	11/2020	Dexter	.....	D30/158
D917,103	S *	4/2021	Ju	.....	D2/617
11,129,513	B2 *	9/2021	Mesiti	.....	B32B 7/12
D943,231	S *	2/2022	Wu	.....	D32/43
2008/0313788	A1 *	12/2008	Yan	.....	A46B 5/04 119/611
2017/0142931	A1 *	5/2017	Michaelson	.....	A01K 13/002
2018/0125130	A1 *	5/2018	Ju	.....	A46B 5/0029
2019/0191955	A1 *	6/2019	Ji	.....	A41D 19/01547

\* cited by examiner

*Primary Examiner* — Karen E Eldridge Powers

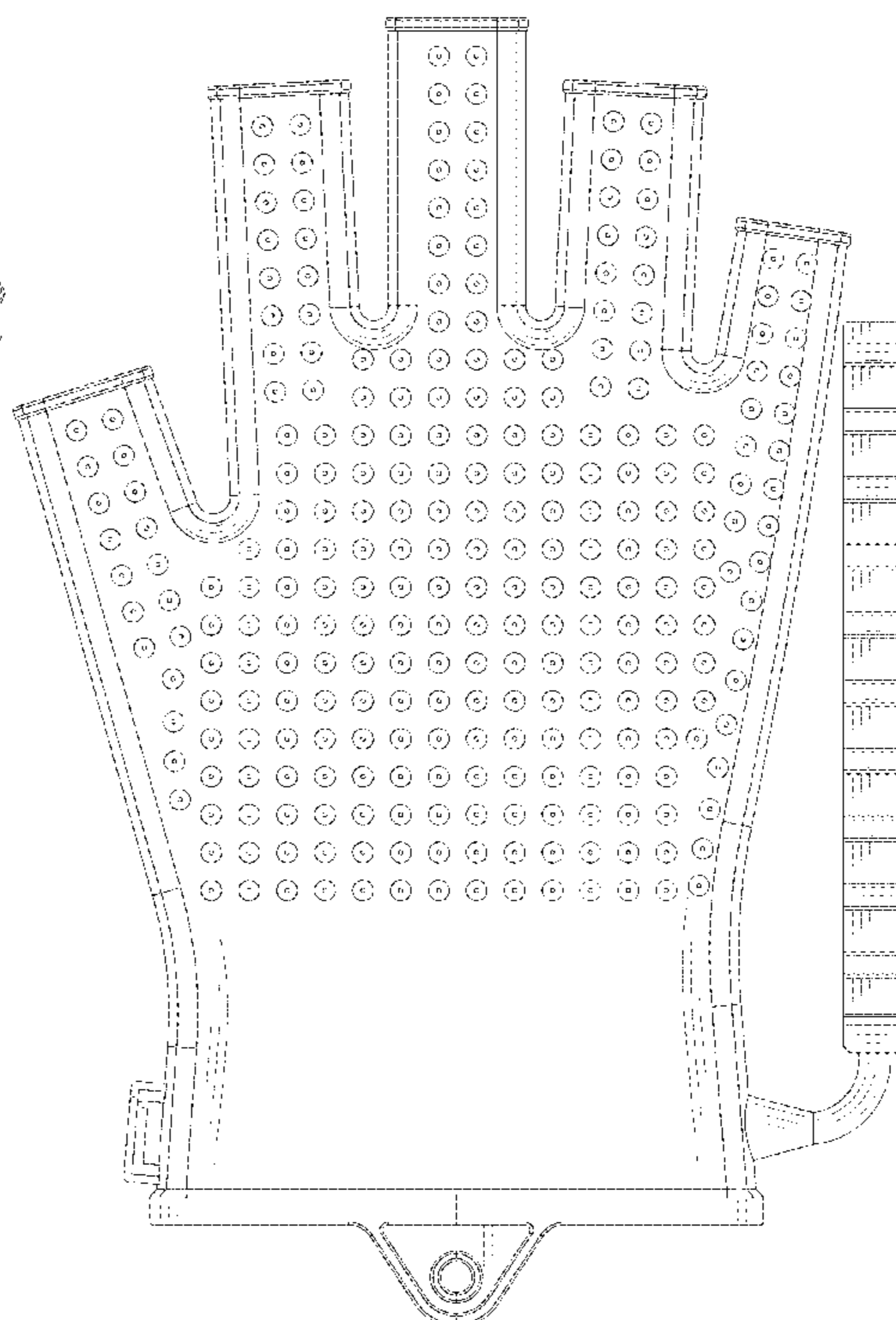
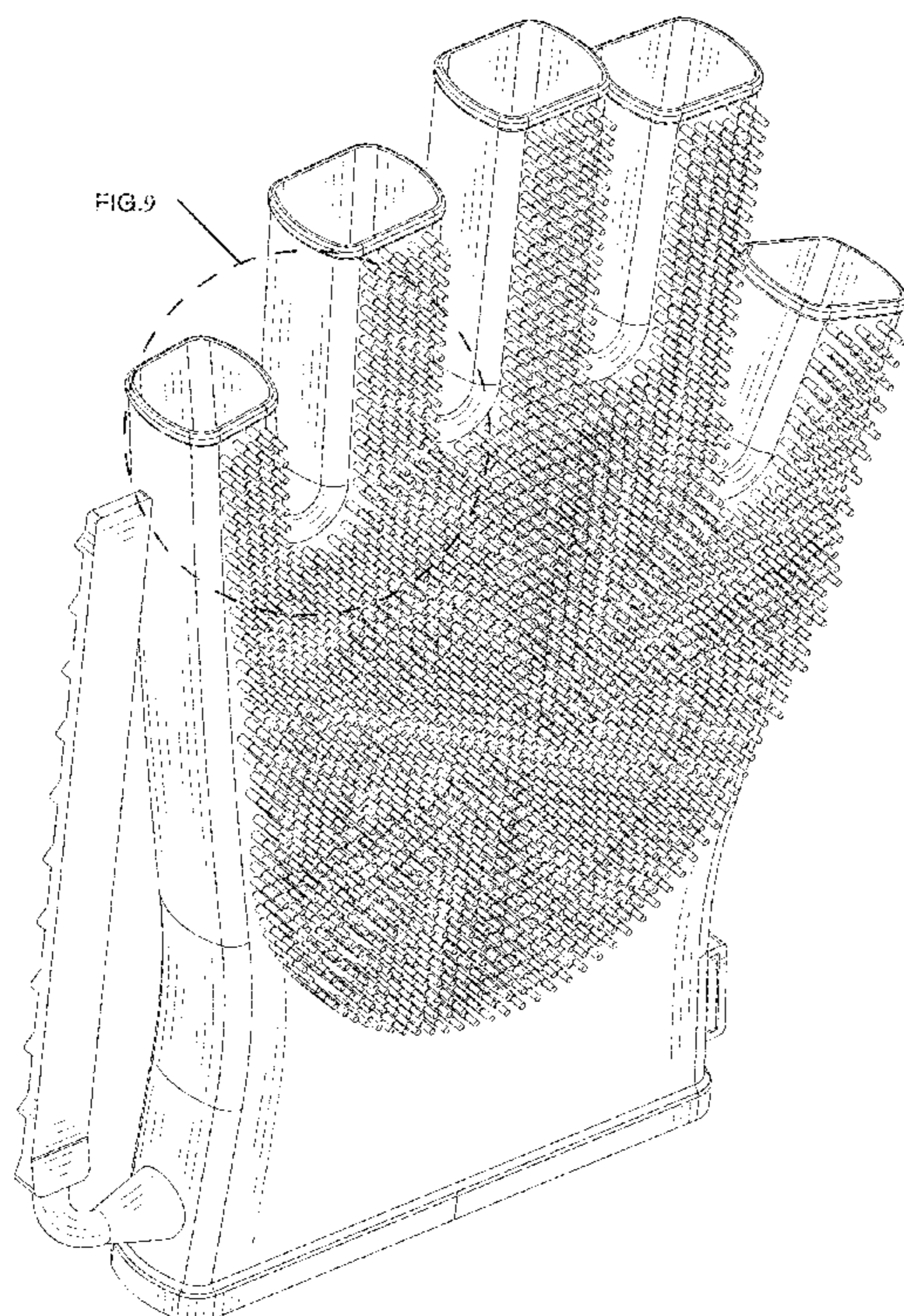
(57) **CLAIM**

The ornamental design for a bath glove for head massage, as shown and described.

**DESCRIPTION**

FIG. 1 is a front, top and left-side perspective view of a bath glove for head massage showing my new design; FIG. 2 is a front elevational view thereof; FIG. 3 is a rear elevational view thereof; FIG. 4 is a right side elevational view thereof; FIG. 5 is a left side elevational view thereof; FIG. 6 is a top plan view thereof; FIG. 7 is a bottom plan view thereof; FIG. 8 is a rear, bottom and left-side perspective view of a bath glove for head massage showing my new design; and, FIG. 9 is an enlarged detail view thereof, taken from FIG. 1.

**1 Claim, 9 Drawing Sheets**



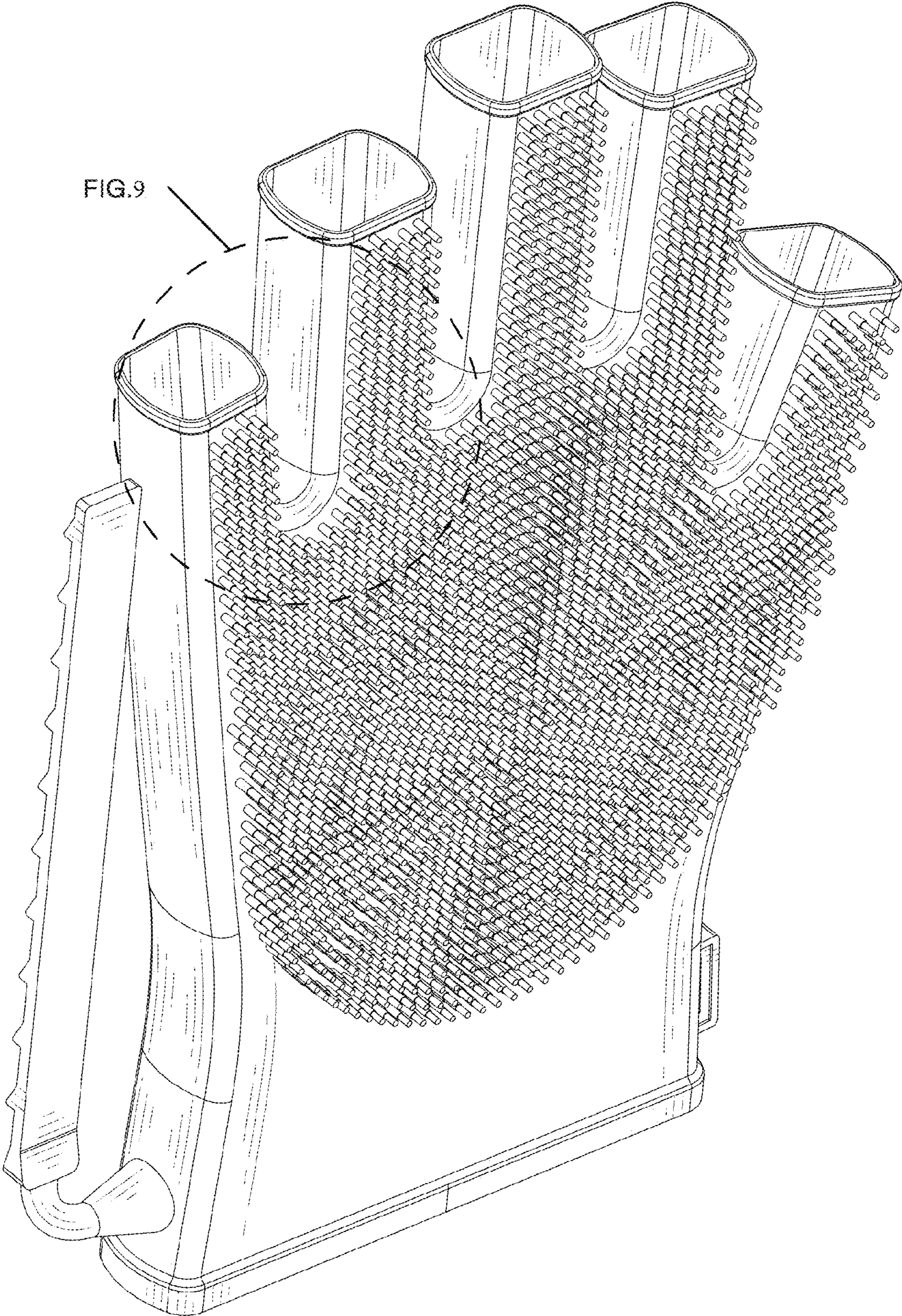


FIG.1

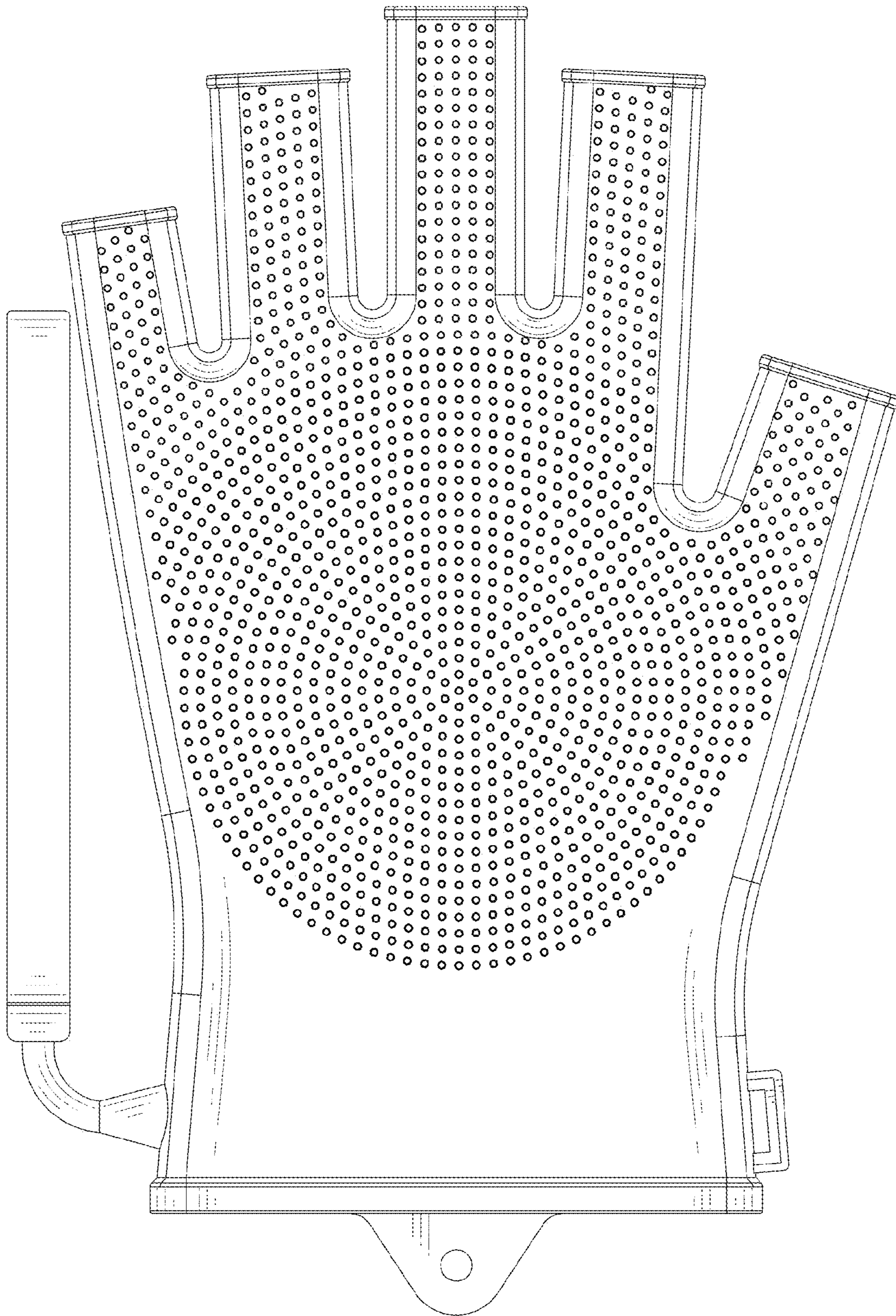


FIG.2

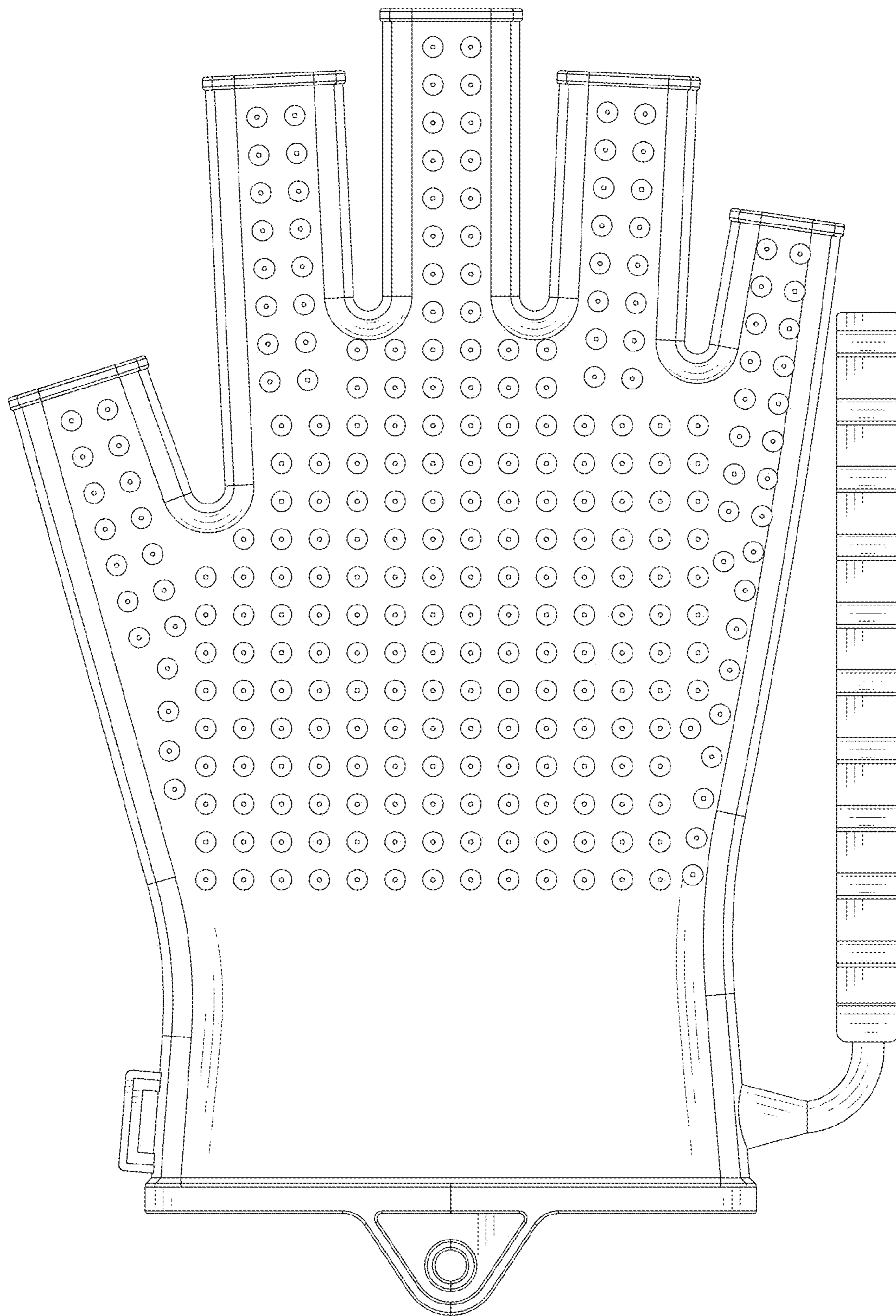


FIG.3

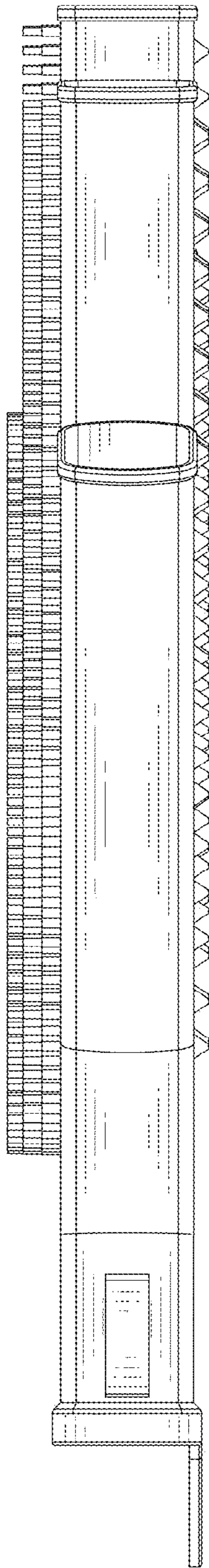


FIG.4

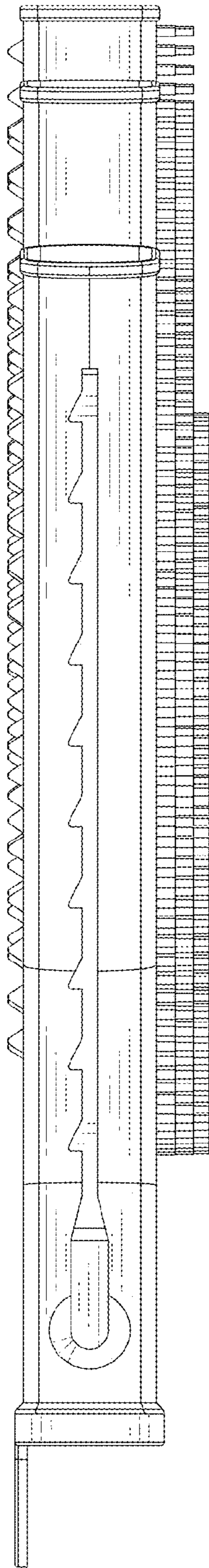


FIG.5

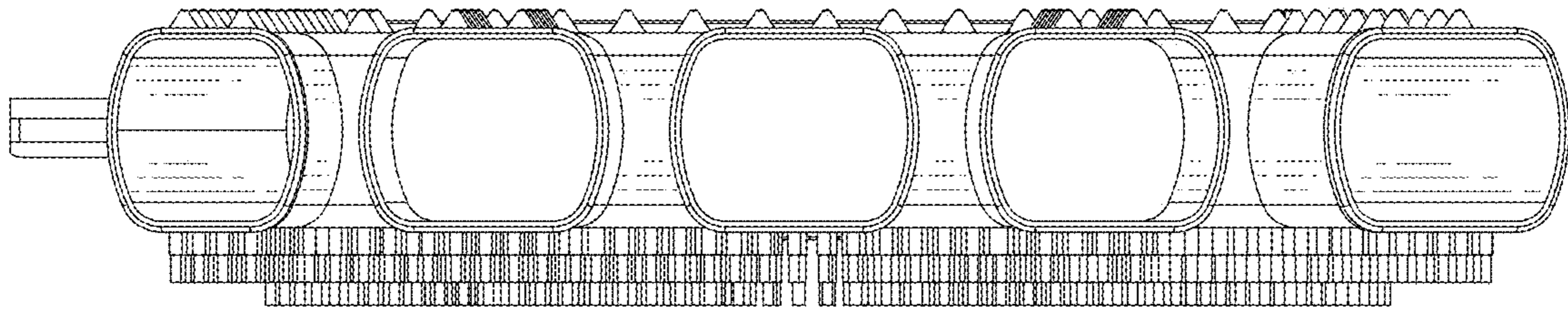


FIG.6

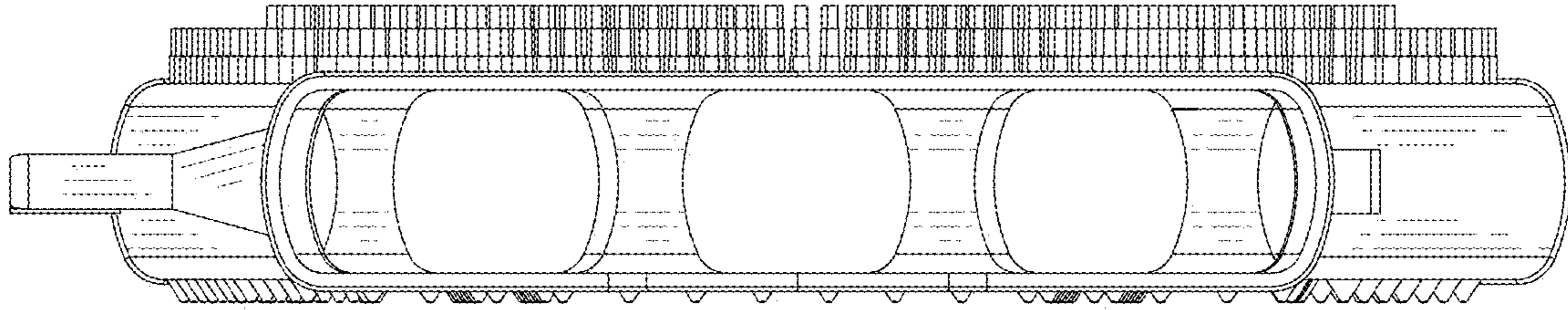


FIG.7



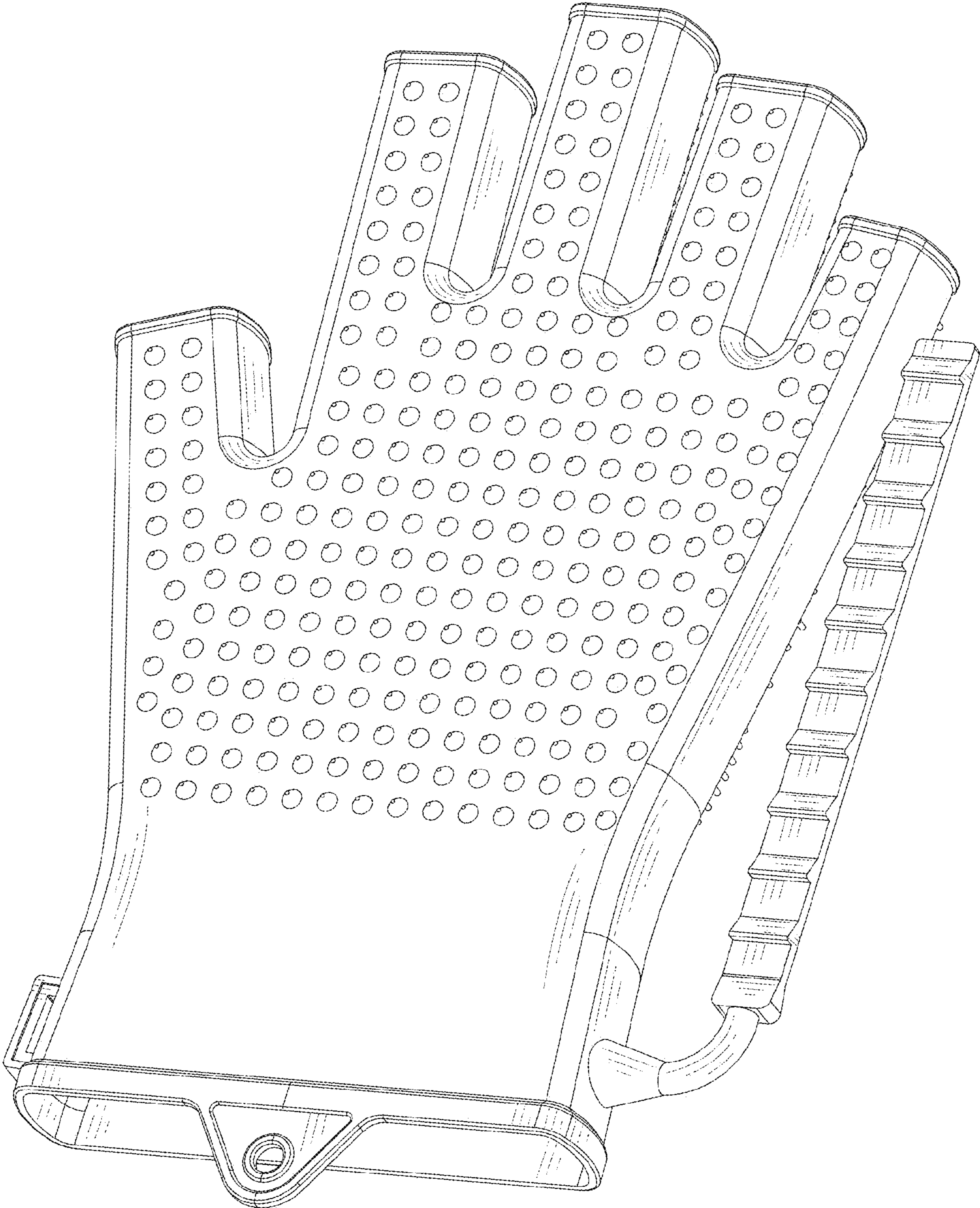


FIG.8

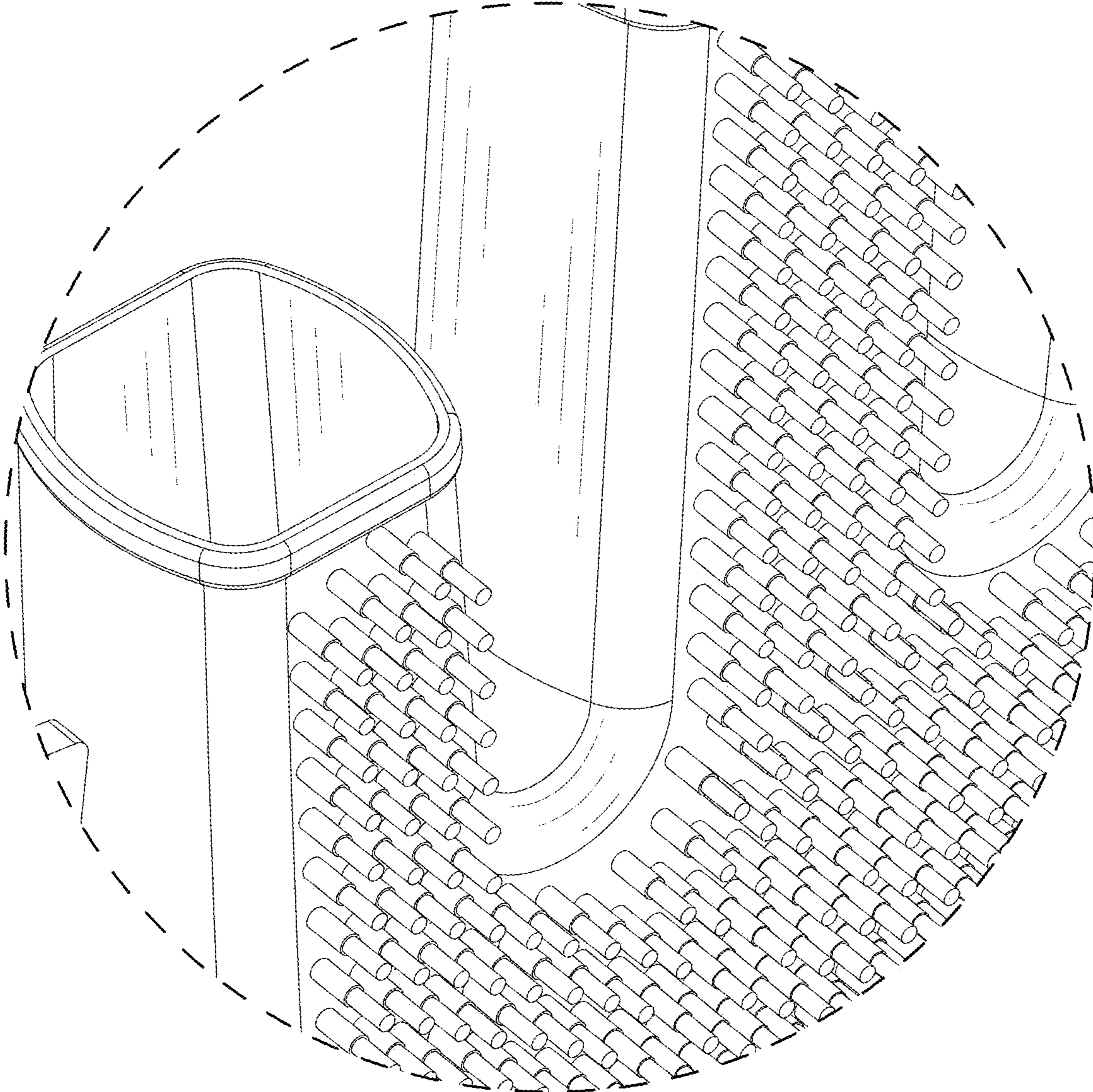


FIG.9