



US00D951545S

(12) **United States Design Patent**
Dong

(10) **Patent No.:** **US D951,545 S**

(45) **Date of Patent:** **** May 10, 2022**

(54) **NAIL DRYER**

(71) Applicant: **Wenwen Dong, Yuyao (CN)**

(72) Inventor: **Wenwen Dong, Yuyao (CN)**

(**) Term: **15 Years**

(21) Appl. No.: **29/773,098**

(22) Filed: **Mar. 7, 2021**

(51) **LOC (13) Cl.** **28-03**

(52) **U.S. Cl.**

USPC **D28/58; D28/54.1**

(58) **Field of Classification Search**

USPC D28/54.1, 58

CPC .. A45D 29/00; A45D 29/11; A45D 29/18-22;

A45D 2200/205

See application file for complete search history.

(56) **References Cited**

U.S. PATENT DOCUMENTS

| | | | |
|--------------|---------|--------------|--------|
| D692,617 S * | 10/2013 | Haile | D28/58 |
| D702,400 S | 4/2014 | Valia et al. | |
| D734,548 S | 7/2015 | Dadon | |
| D747,828 S | 1/2016 | Vu et al. | |
| D820,522 S * | 6/2018 | Colin | D28/58 |
| D827,203 S * | 8/2018 | Ouyang | D28/58 |
| D838,042 S * | 1/2019 | Ouyang | D28/58 |
| D838,043 S * | 1/2019 | Ouyang | D28/58 |
| D840,106 S * | 2/2019 | Ouyang | D28/58 |
| D842,546 S * | 3/2019 | Ouyang | D28/58 |
| D850,724 S * | 6/2019 | Luo | D28/58 |
| D853,032 S * | 7/2019 | Ouyang | D28/58 |
| D853,033 S * | 7/2019 | Ouyang | D28/58 |
| D853,034 S * | 7/2019 | Ouyang | D28/58 |
| D858,883 S * | 9/2019 | Wu | D28/58 |
| D858,884 S * | 9/2019 | Wu | D28/58 |
| D858,885 S * | 9/2019 | Wu | D28/58 |
| D864,485 S * | 10/2019 | Ouyang | D28/58 |
| D872,369 S * | 1/2020 | Le | D28/58 |
| D880,068 S * | 3/2020 | Wu | D28/58 |

| | | | |
|-------------------|---------|--------------|------------------------|
| D890,431 S * | 7/2020 | Hsieh | D28/58 |
| D899,691 S * | 10/2020 | Fan | D28/58 |
| D900,396 S * | 10/2020 | Zhang | D28/58 |
| D909,682 S * | 2/2021 | Wu | D28/58 |
| D914,291 S * | 3/2021 | Bui | D28/58 |
| D914,982 S * | 3/2021 | Hurter | D28/58 |
| D919,184 S * | 5/2021 | Feng | D28/58 |
| D920,576 S * | 5/2021 | Liu | D28/58 |
| 11,058,202 B1 * | 7/2021 | Luu | H05B 45/10 |
| 11,134,813 B2 * | 10/2021 | Ma | A45D 29/18 |
| D937,487 S * | 11/2021 | Zhang | D28/58 |
| 2015/0290675 A1 * | 10/2015 | Lin | F21S 9/00 250/494.1 |
| 2016/0095409 A1 * | 4/2016 | Jih | A45D 29/00 34/202 |
| 2020/0170372 A1 * | 6/2020 | Cheng | A45D 29/00 |
| 2020/0237071 A1 * | 7/2020 | Lee | A45D 29/00 |
| 2021/0022473 A1 * | 1/2021 | Hurter | A45D 29/00 |
| 2021/0386179 A1 * | 12/2021 | Yilmaz | A45D 29/22 |
| 2021/0401146 A1 * | 12/2021 | Ly | A45D 29/18 |

* cited by examiner

Primary Examiner — Jennifer Rivard

(57) **CLAIM**

The ornamental design for a nail dryer, as shown and described.

DESCRIPTION

FIG. 1 is a front elevation view of a nail dryer showing my design;

FIG. 2 is a back elevation view thereof;

FIG. 3 is a left side view thereof;

FIG. 4 is a right side view thereof;

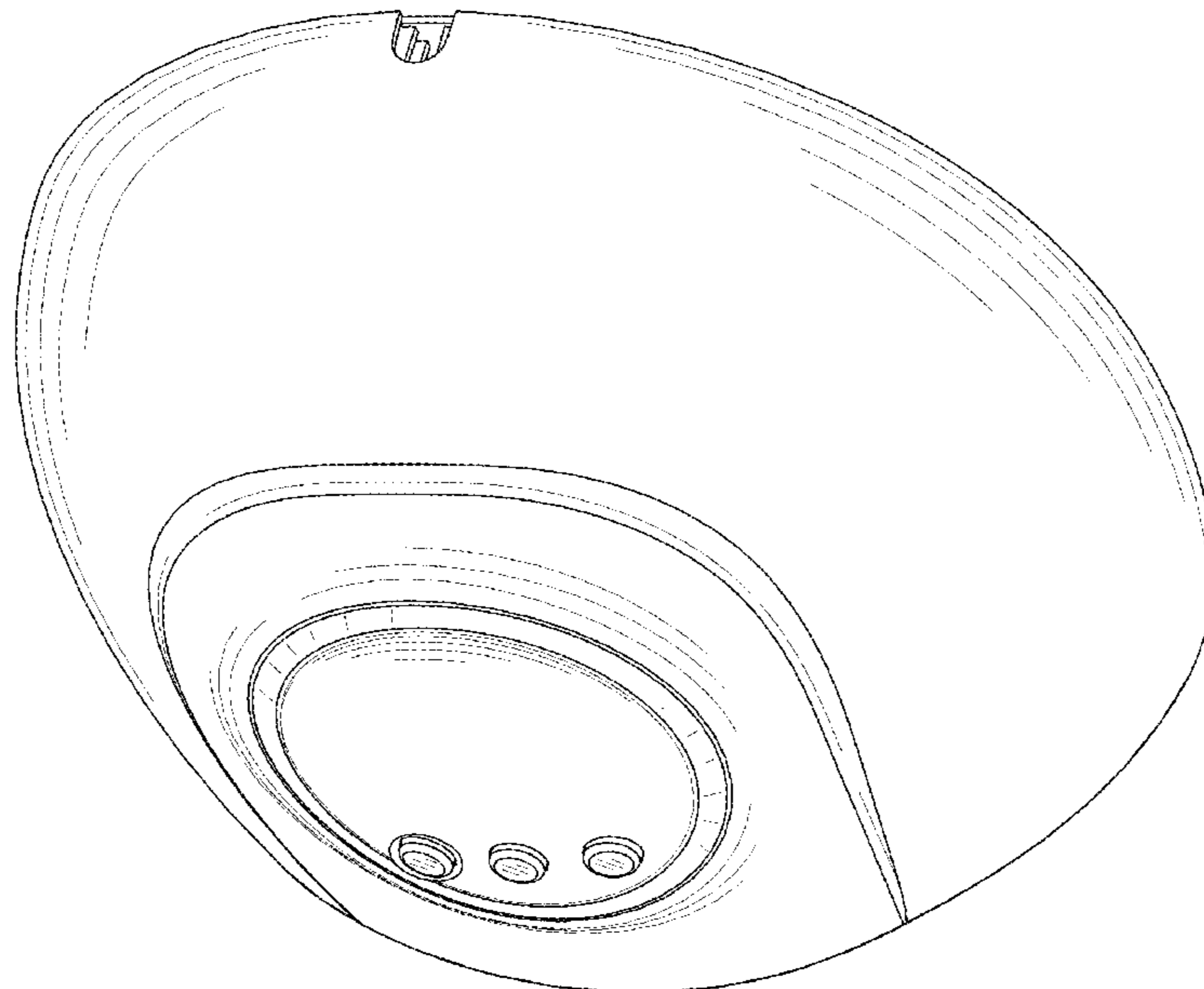
FIG. 5 is a top plan view thereof;

FIG. 6 is a bottom plan view thereof; and,

FIG. 7 is a perspective view thereof.

The dashed or broken lines shown in the drawings depict portions of the nail dryer in which the design is embodied that form no part of the claimed design.

1 Claim, 7 Drawing Sheets



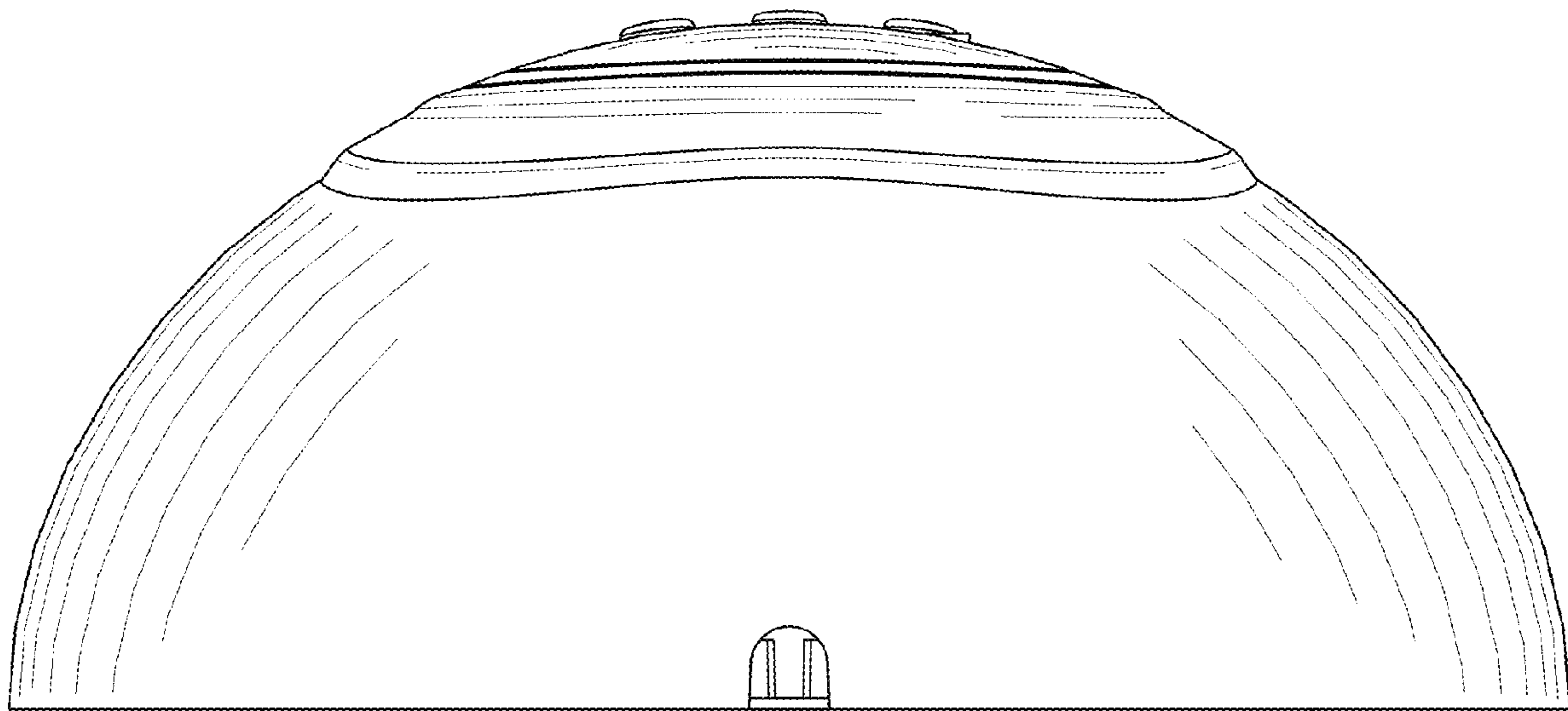


FIG. 1

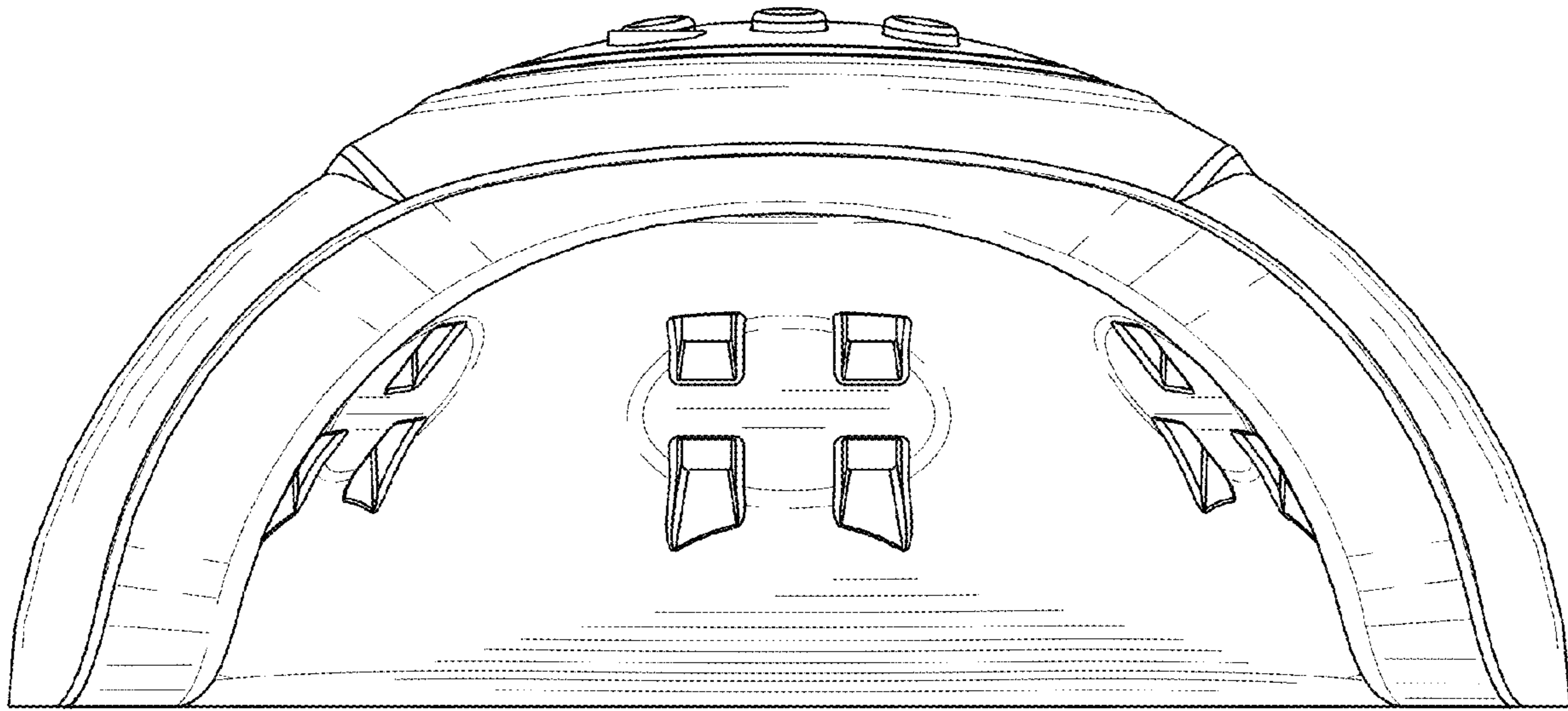


FIG. 2

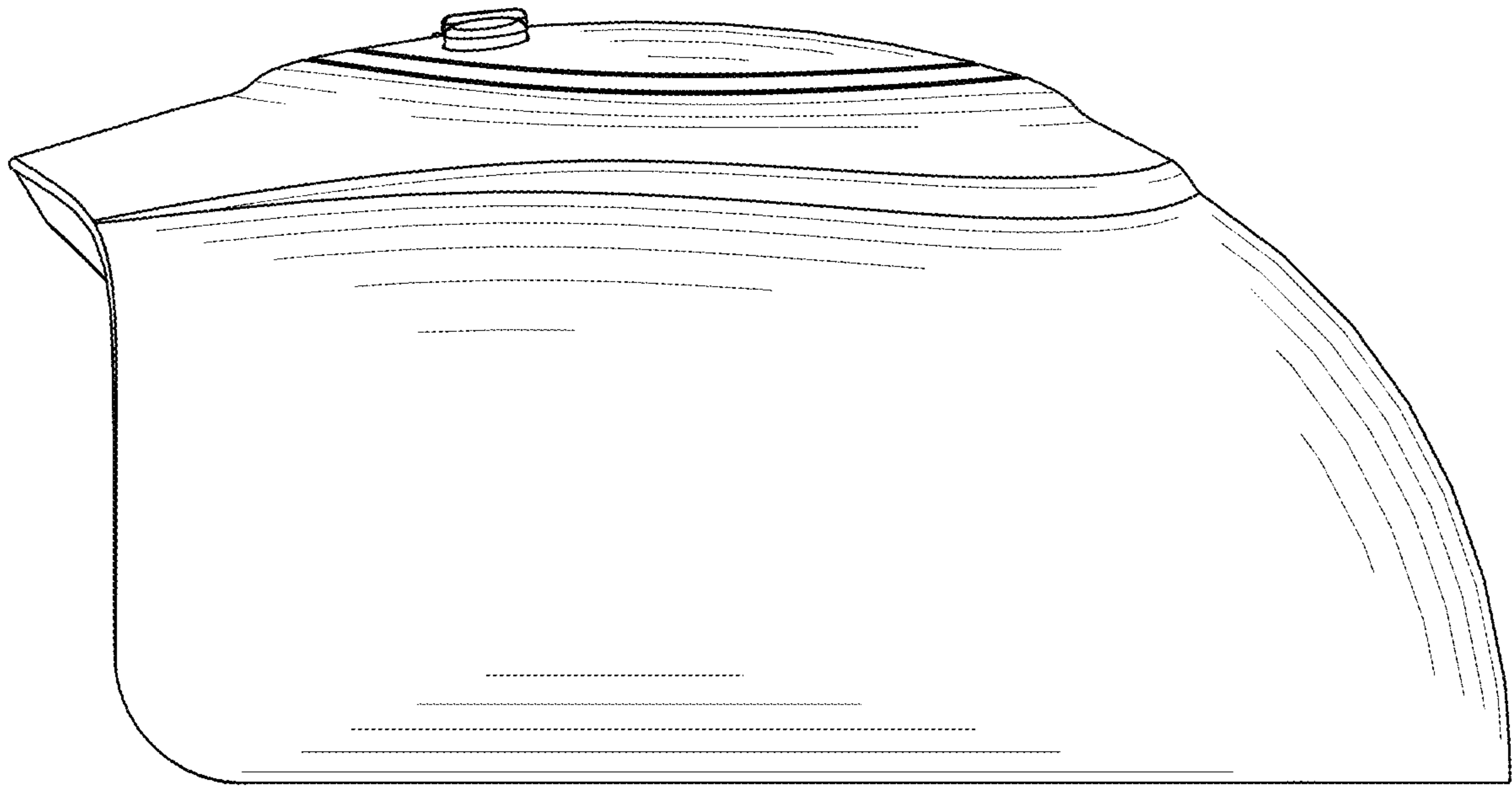


FIG. 3

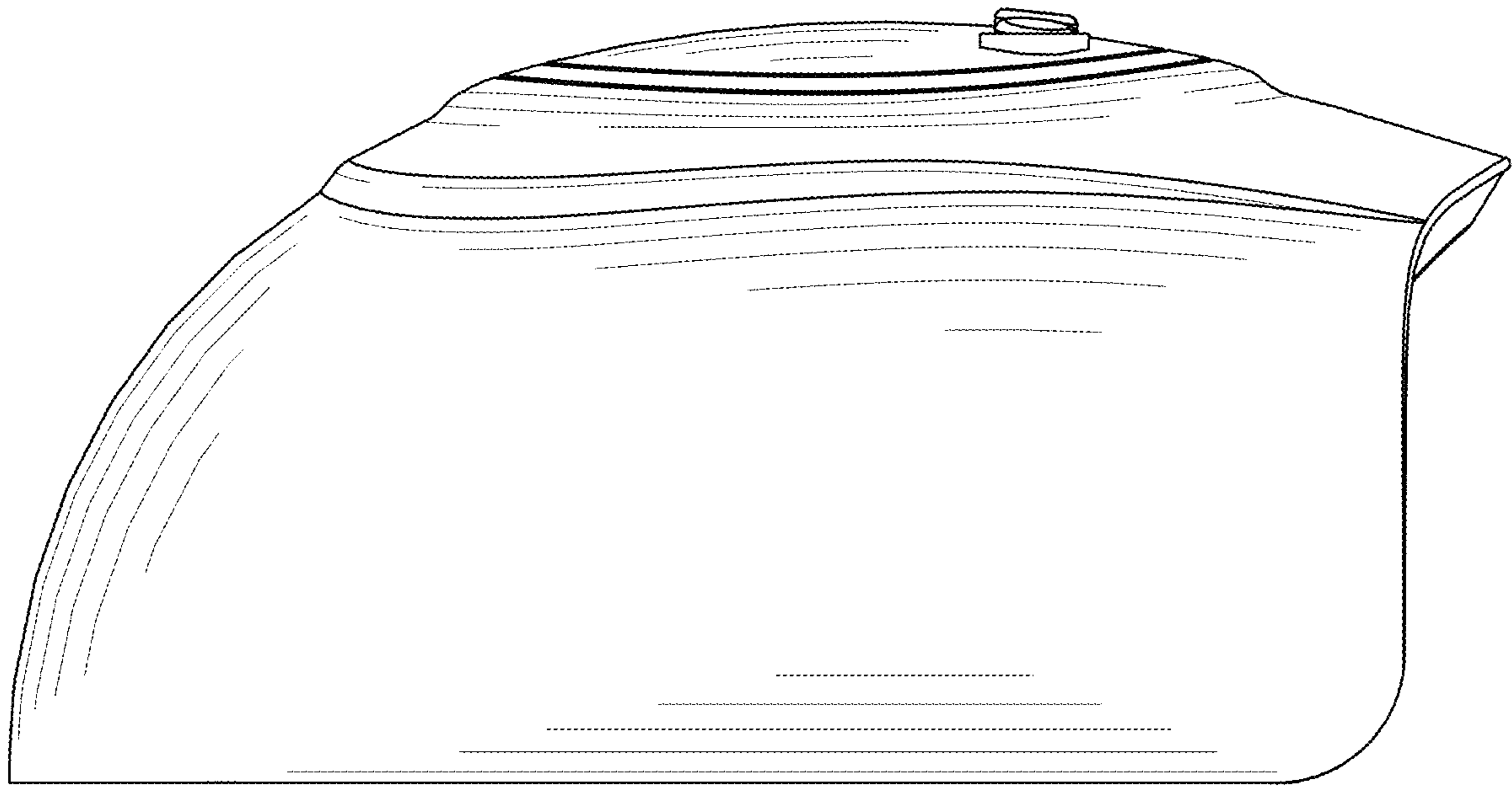


FIG. 4

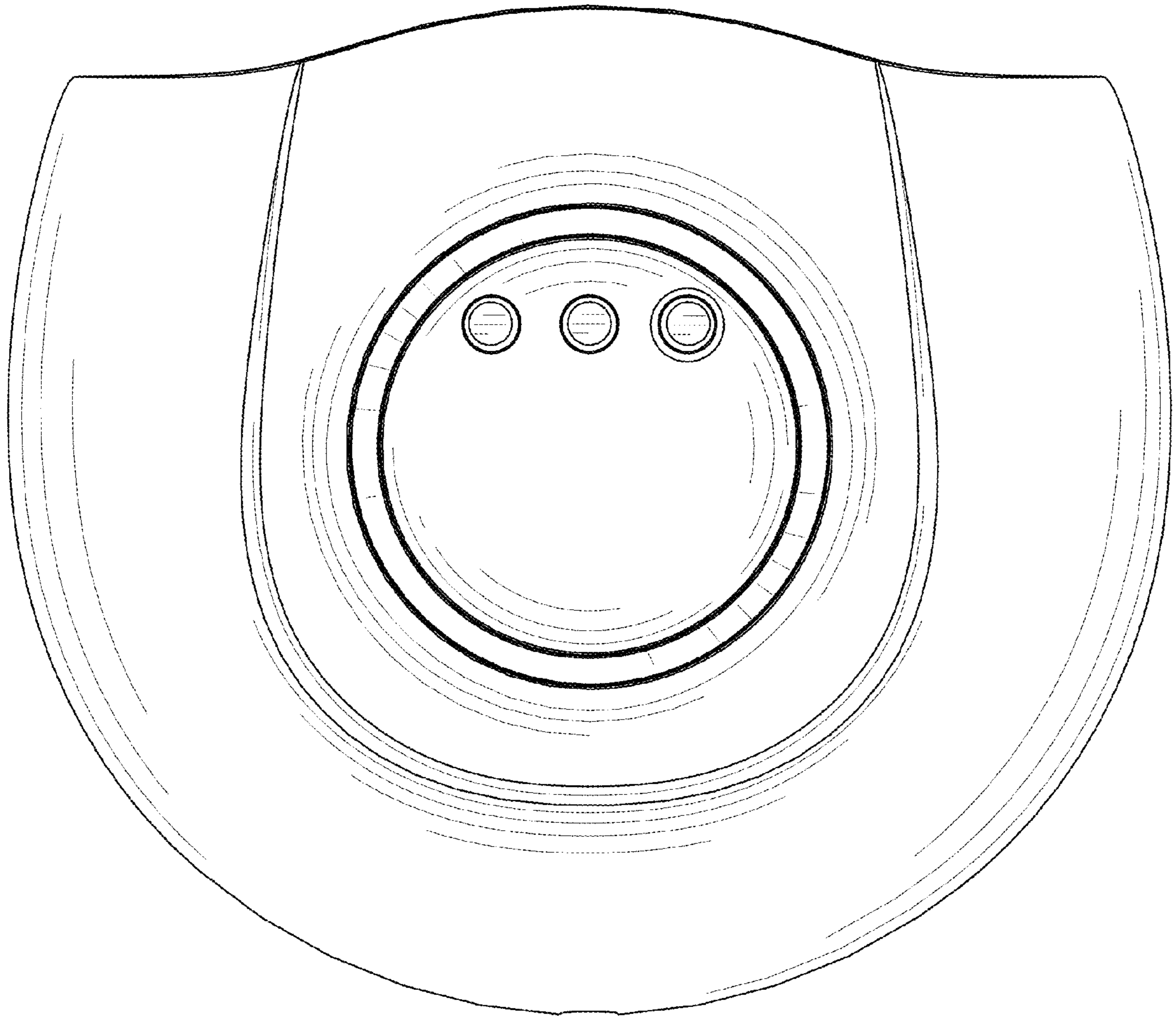


FIG. 5

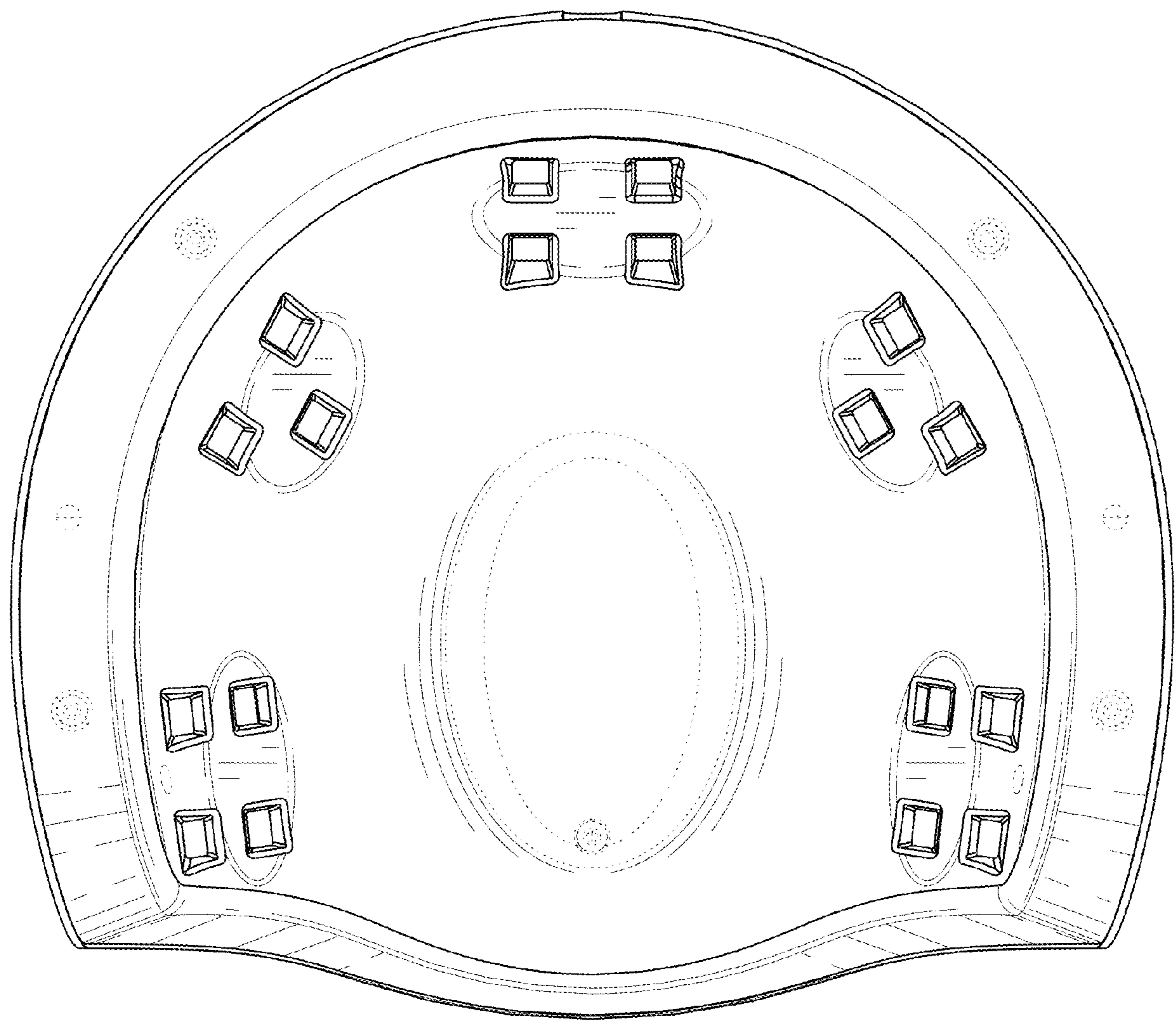


FIG. 6

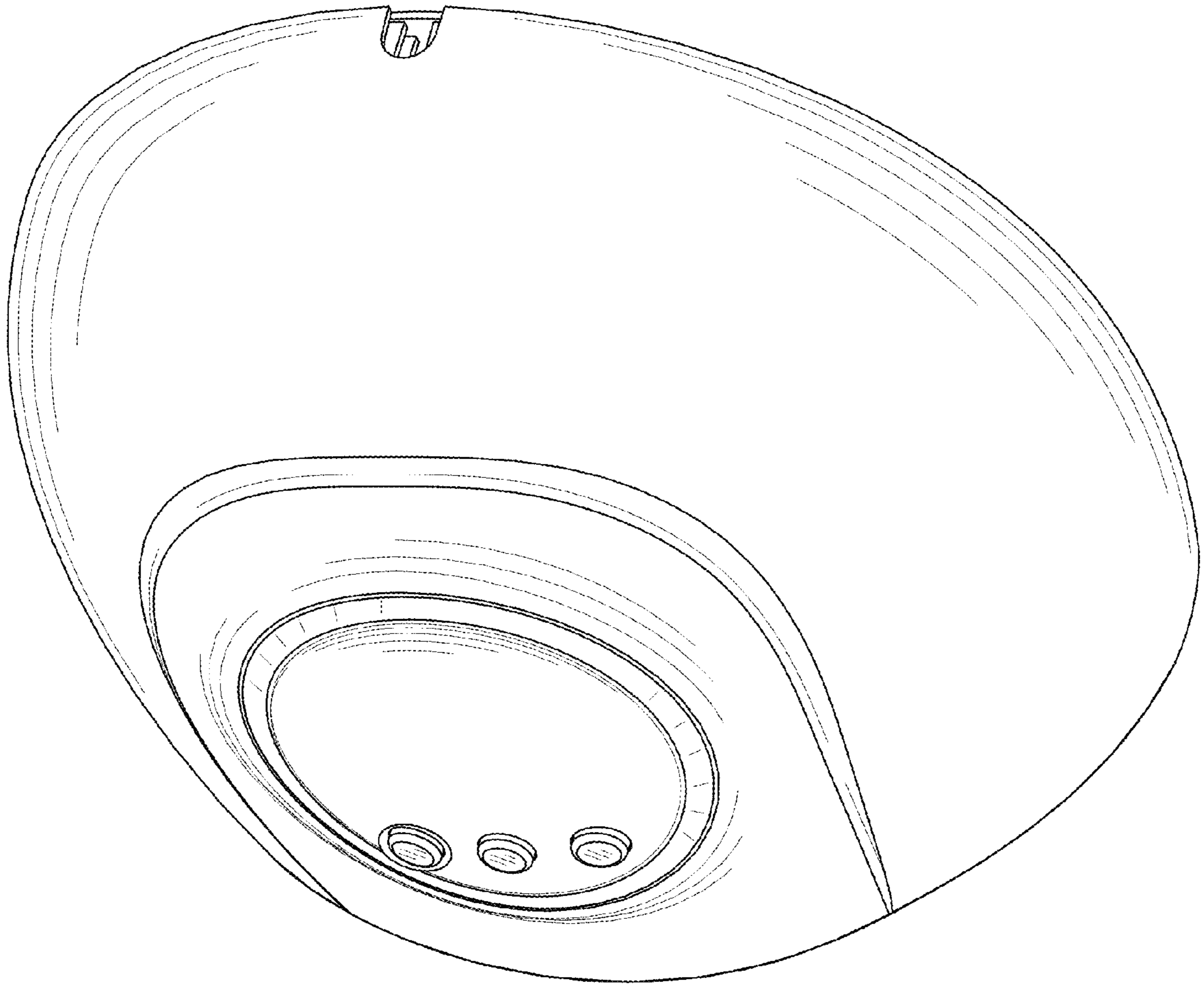


FIG. 7