



US00D951542S

(12) **United States Design Patent** (10) **Patent No.:** **US D951,542 S**  
**Meng et al.** (45) **Date of Patent:** **\*\* May 10, 2022**

(54) **NOSTRIL HAIR TRIMMER**

(74) *Attorney, Agent, or Firm* — Cantor Colburn LLP

(71) Applicant: **SHENZHEN SOOCAS TECHNOLOGY CO., LTD.**, Shenzhen (CN)

(57) **CLAIM**

The ornamental design for a nostril hair trimmer, as shown and described.

(72) Inventors: **Fandi Meng**, Shenzhen (CN); **Guanglu Feng**, Shenzhen (CN)

**DESCRIPTION**

(73) Assignee: **SHENZHEN SOOCAS TECHNOLOGY CO., LTD.**, Shenzhen (CN)

FIG. 1 is an assembled perspective view of a nostril hair trimmer;

(\*\*) Term: **15 Years**

FIG. 2 is a front view thereof;

(21) Appl. No.: **29/721,920**

FIG. 3 is a rear view thereof;

(22) Filed: **Jan. 24, 2020**

FIG. 4 is a left side view thereof;

(30) **Foreign Application Priority Data**

Jul. 30, 2019 (CN) ..... 201930409163.9

FIG. 5 is a right side view thereof;

(51) **LOC (13) Cl.** ..... **28-03**

FIG. 6 is a top view thereof; and

(52) **U.S. Cl.**

USPC ..... **D28/50**; D28/53

FIG. 7 is a bottom view thereof;

(58) **Field of Classification Search**

USPC ..... D28/50–54

CPC ... B26B 19/3853; B26B 19/14; B26B 19/141;

B26B 19/143; B26B 19/145; B26B

19/146; B26B 19/148

See application file for complete search history.

FIG. 8 is perspective view of a base of the nostril hair trimmer;

FIG. 9 is a front view thereof;

FIG. 10 is a rear view thereof;

FIG. 11 is a left side view thereof;

FIG. 12 is a right side view thereof;

FIG. 13 is a top view thereof; and

FIG. 14 is a bottom view thereof;

FIG. 15 is a perspective view of a head of the nostril hair trimmer;

FIG. 16 is a front view thereof;

FIG. 17 is a rear view thereof;

FIG. 18 is a left side view thereof;

FIG. 19 is a right side view thereof;

FIG. 20 is a top view thereof; and

FIG. 21 is a bottom view thereof;

FIG. 22 is a partial enlarged taken from FIG. 8;

FIG. 23 is a partial enlarged taken from FIG. 9;

FIG. 24 is a partial enlarged taken from FIG. 10;

FIG. 25 is a partial enlarged taken from FIG. 11;

FIG. 26 is a partial enlarged taken from FIG. 13; and,

FIG. 27 is a partial enlarged taken from FIG. 15.

The broken lines in the figures depict portions of the nostril hair trimmer that form no part of the claimed design. The base and the head of the nostril hair trimmer are shown separately for convenience of illustration.

(56) **References Cited**

**U.S. PATENT DOCUMENTS**

D319,711 S \* 9/1991 Fujisawa ..... D28/50

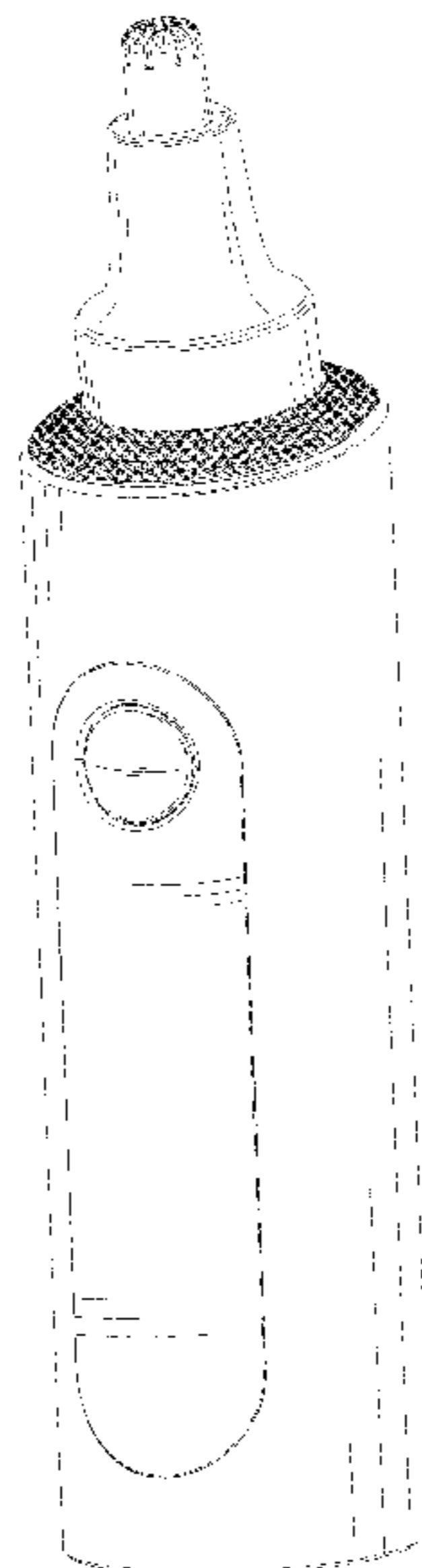
6,067,714 A \* 5/2000 Taylor ..... B26B 19/148

30/29.5

(Continued)

*Primary Examiner* — Jennifer Rivard

**1 Claim, 27 Drawing Sheets**



(56)

**References Cited**

U.S. PATENT DOCUMENTS

7,152,323 B1 \* 12/2006 Lin ..... B26B 19/148  
30/29.5  
D536,135 S \* 1/2007 Kitagawa ..... D28/53  
D637,761 S \* 5/2011 Kikawa ..... D28/53  
D674,558 S \* 1/2013 Ino ..... D28/53  
D757,363 S \* 5/2016 Sugiyama ..... D28/53  
D844,246 S \* 3/2019 Yan ..... D28/54  
D873,489 S \* 1/2020 Zhou ..... D28/50  
D888,341 S \* 6/2020 Stowers ..... D28/51  
D915,673 S \* 4/2021 Neinae ..... D28/50  
2020/0039096 A1 \* 2/2020 Khubani ..... B26B 19/148

\* cited by examiner

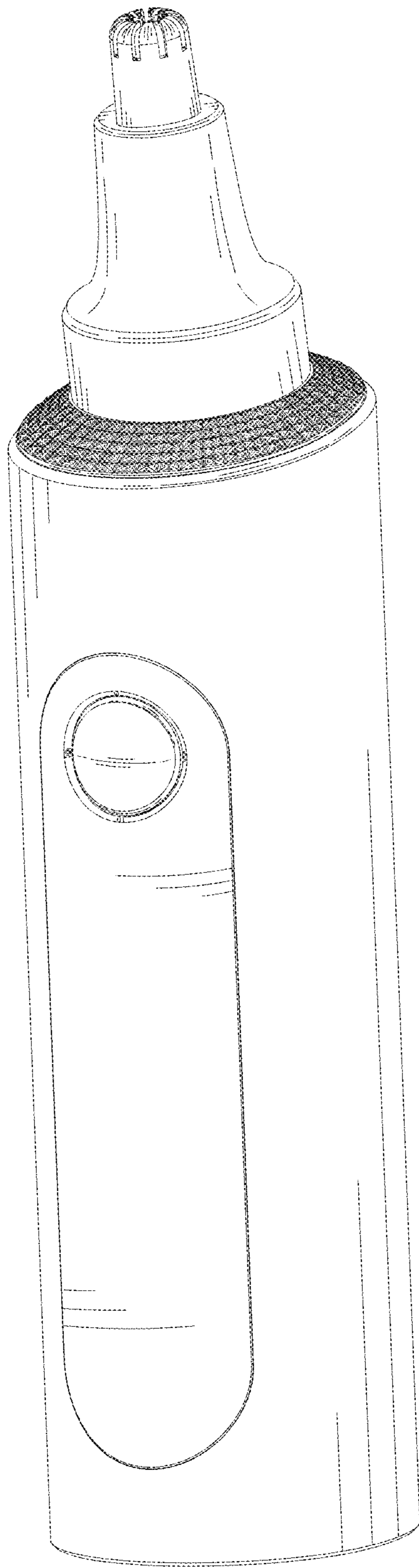


FIG. 1

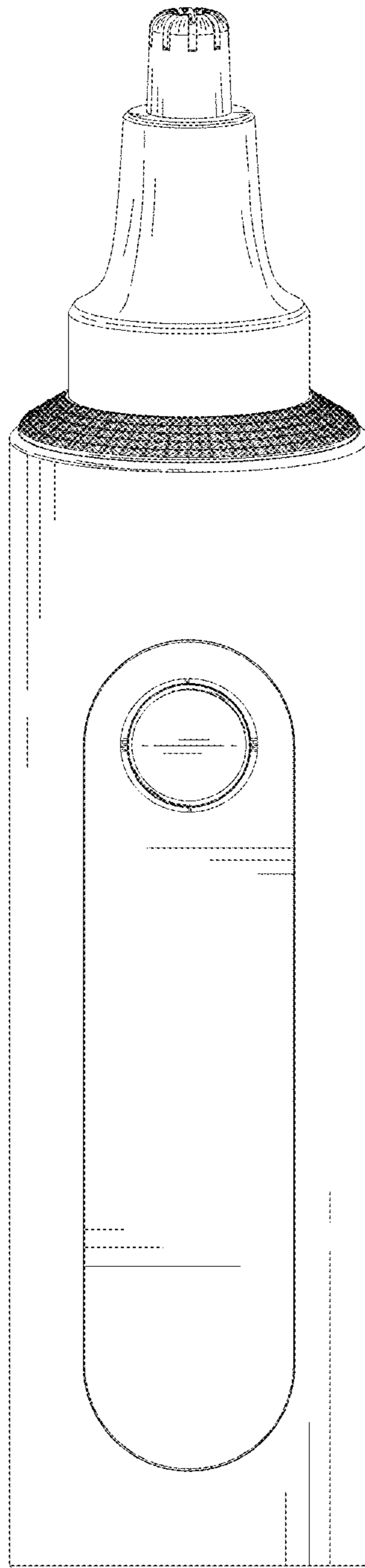


FIG. 2

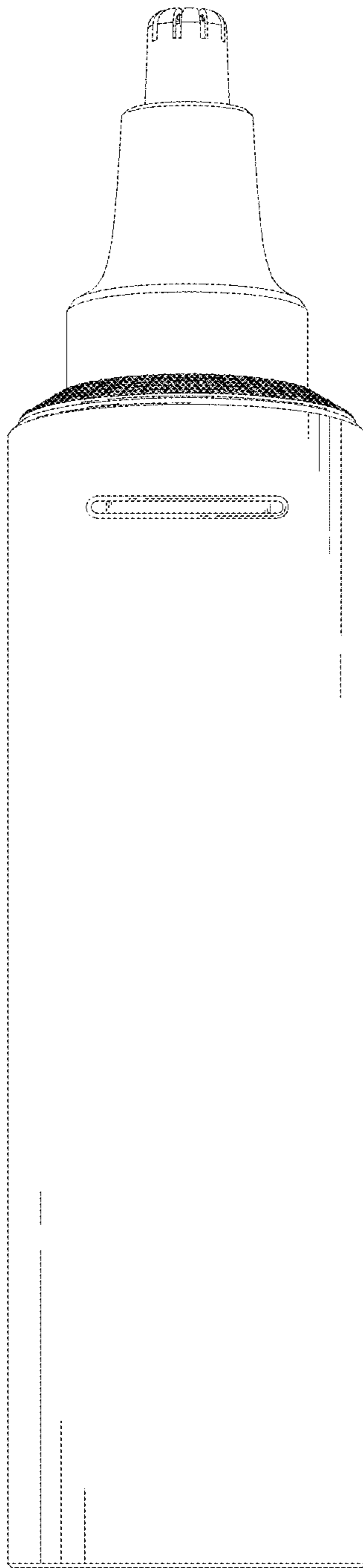


FIG. 3

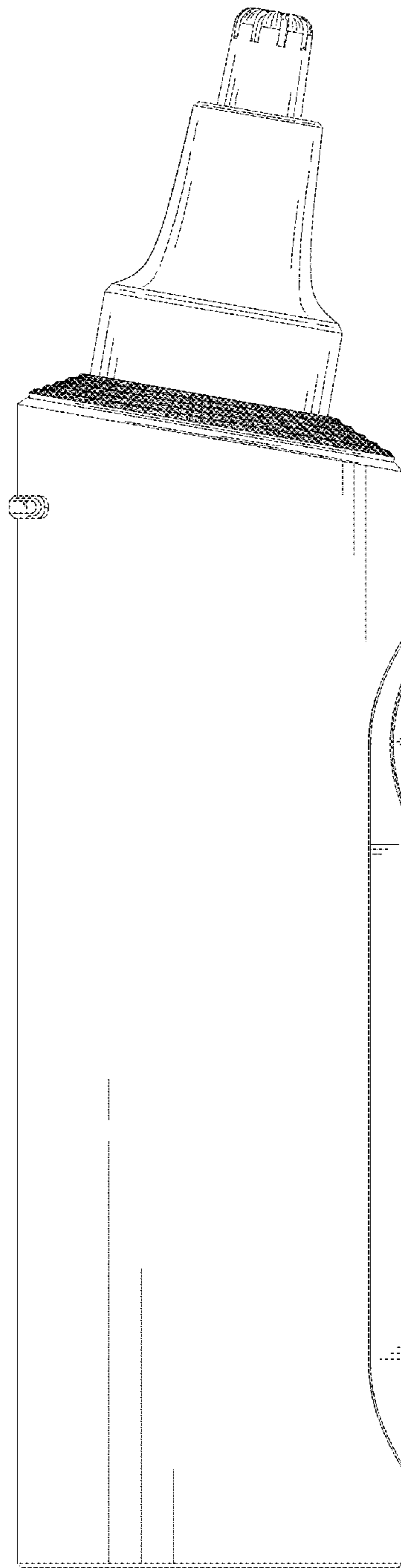


FIG. 4

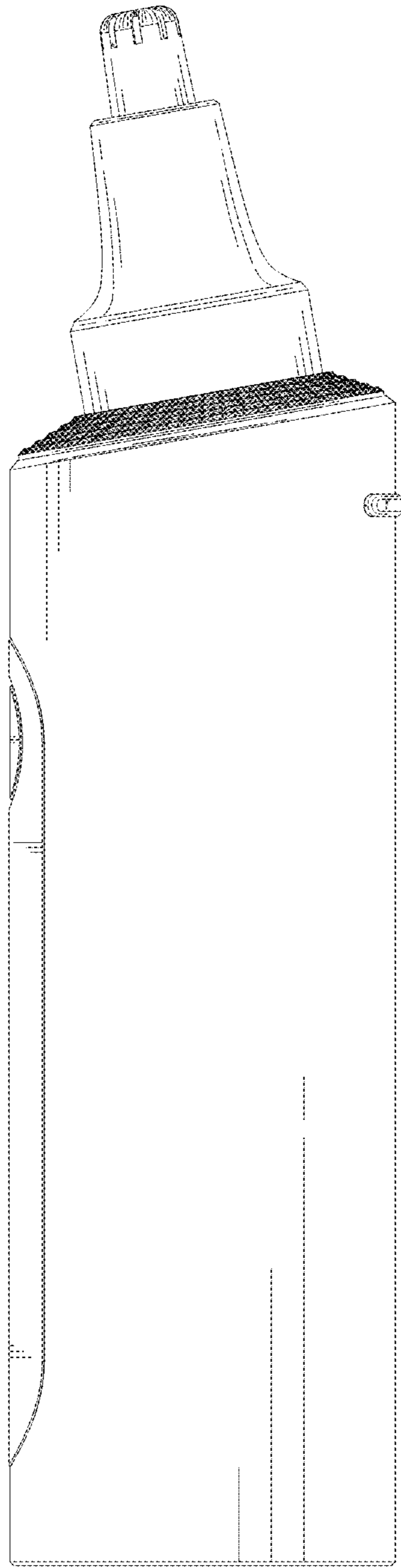


FIG. 5



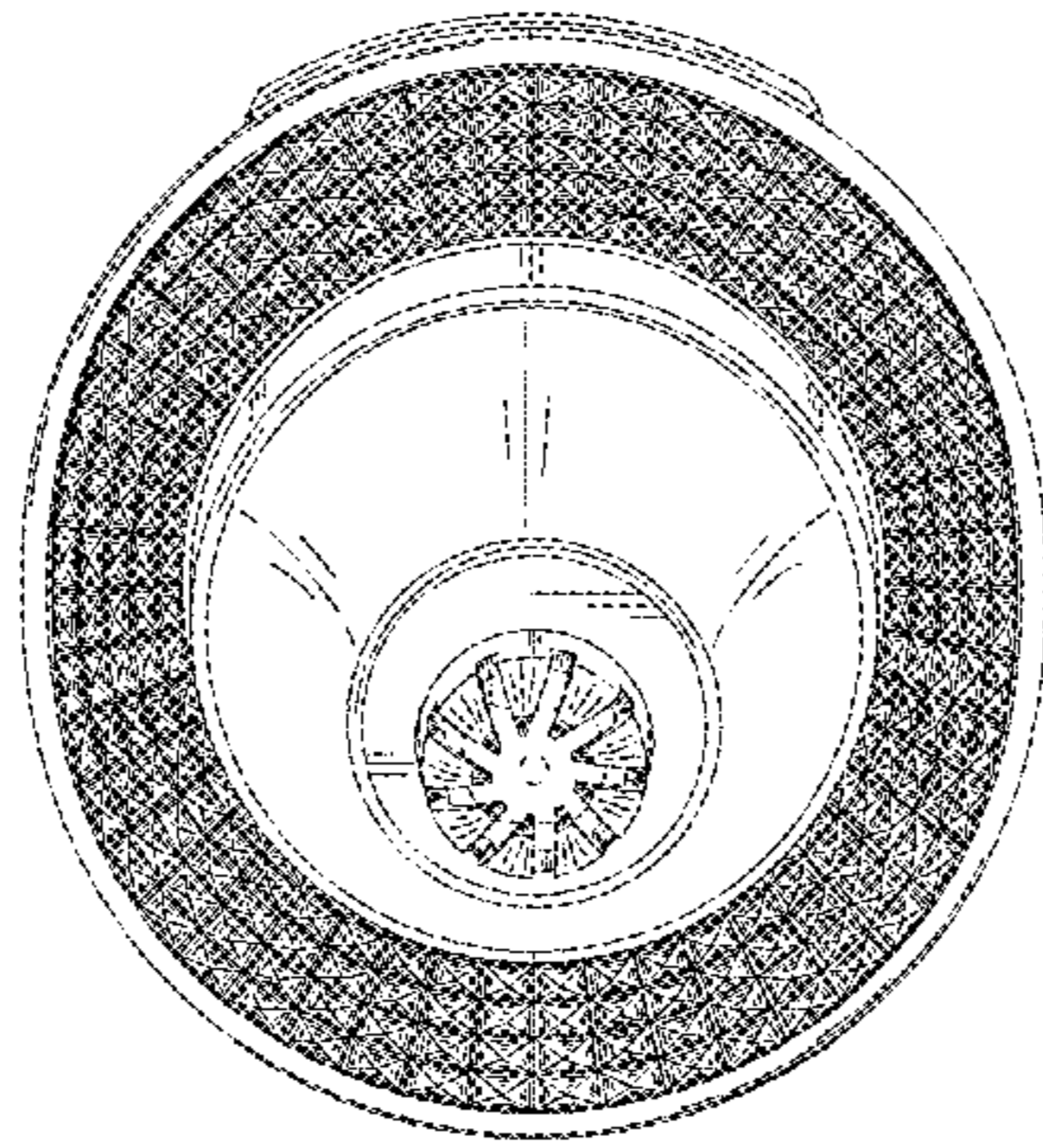


FIG. 6



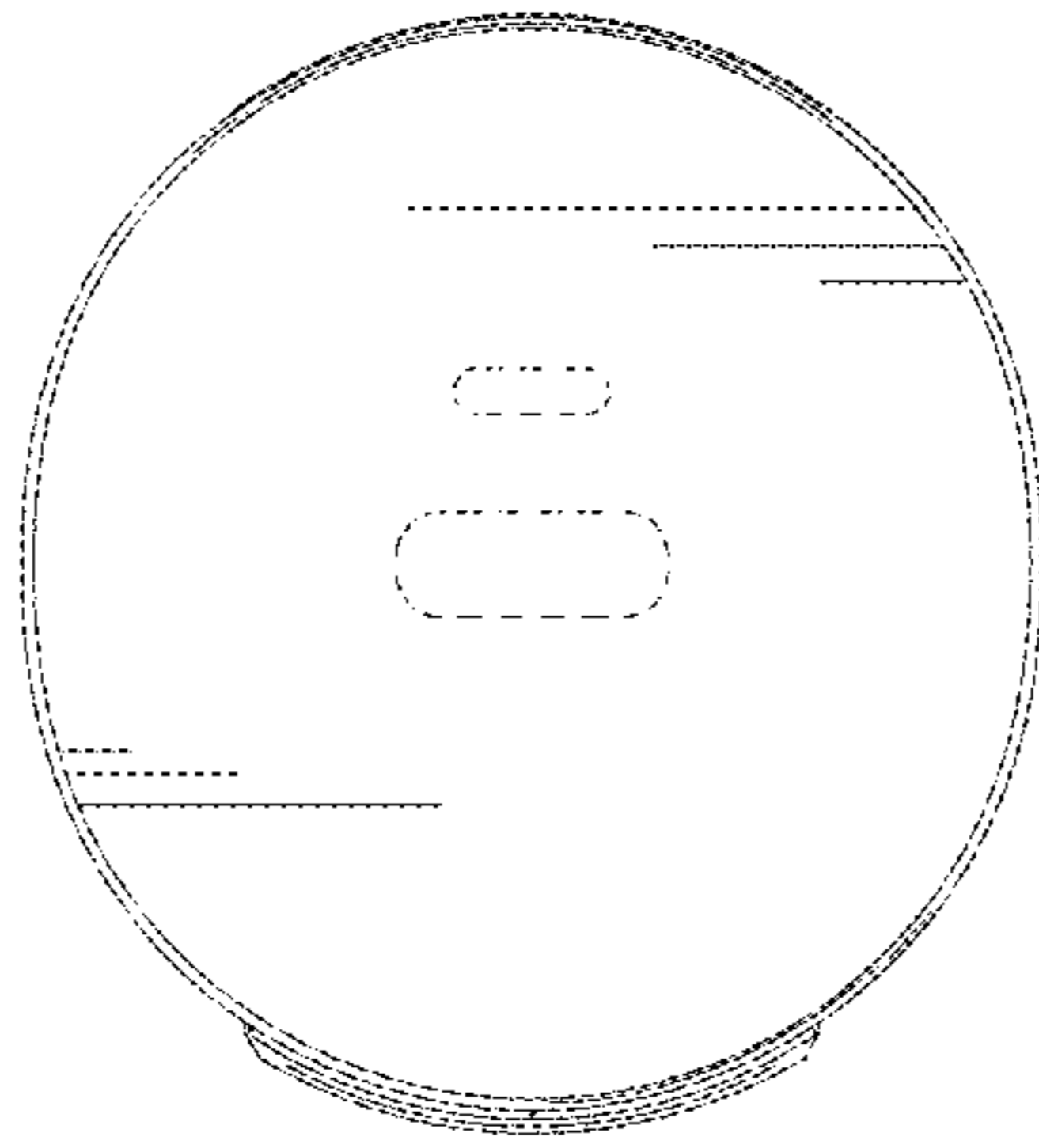


FIG. 7

FIG. 22

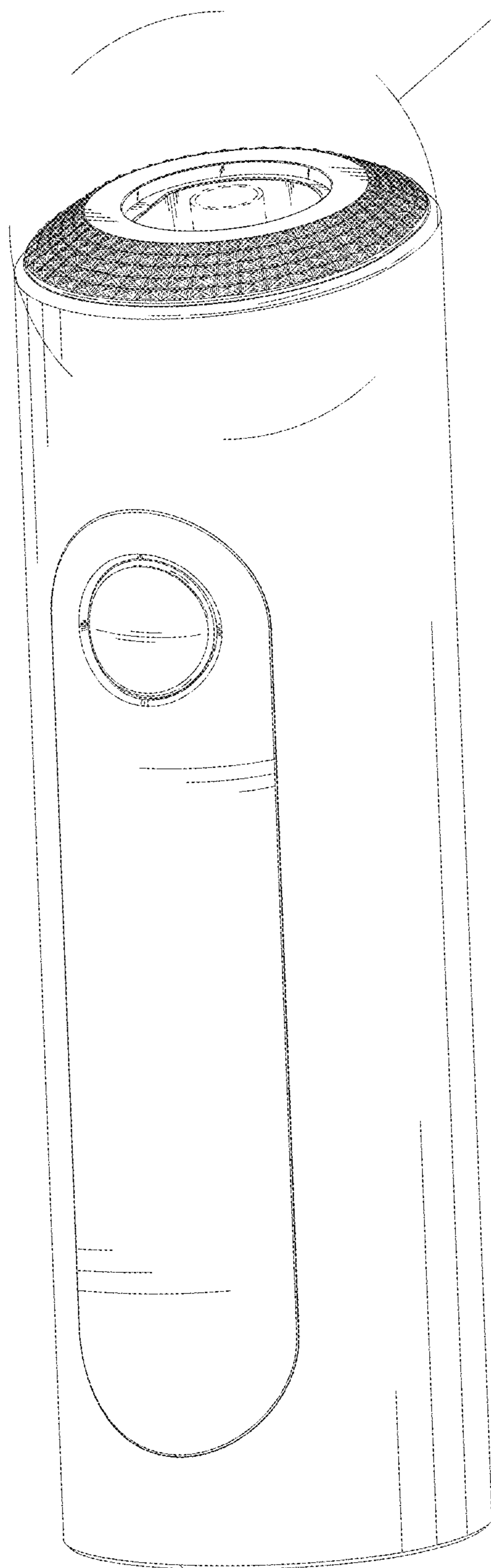


FIG. 8

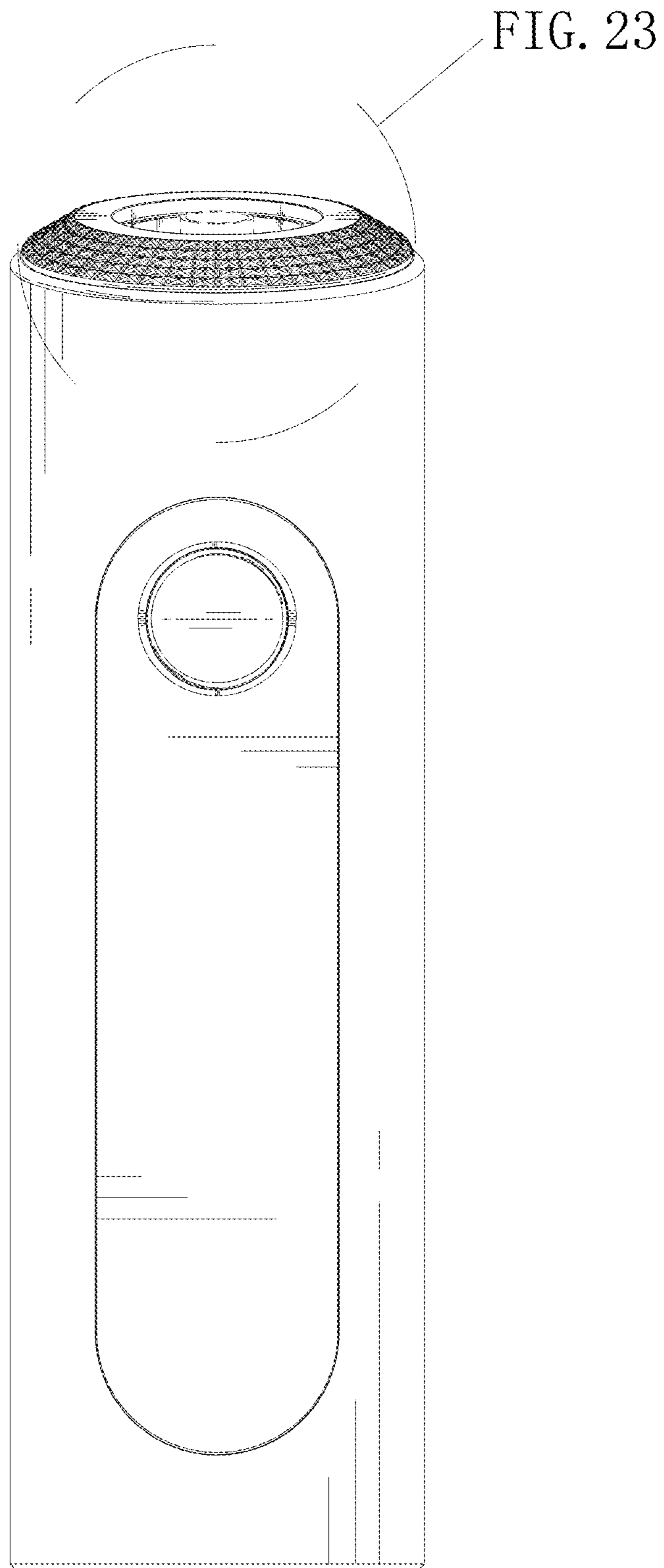
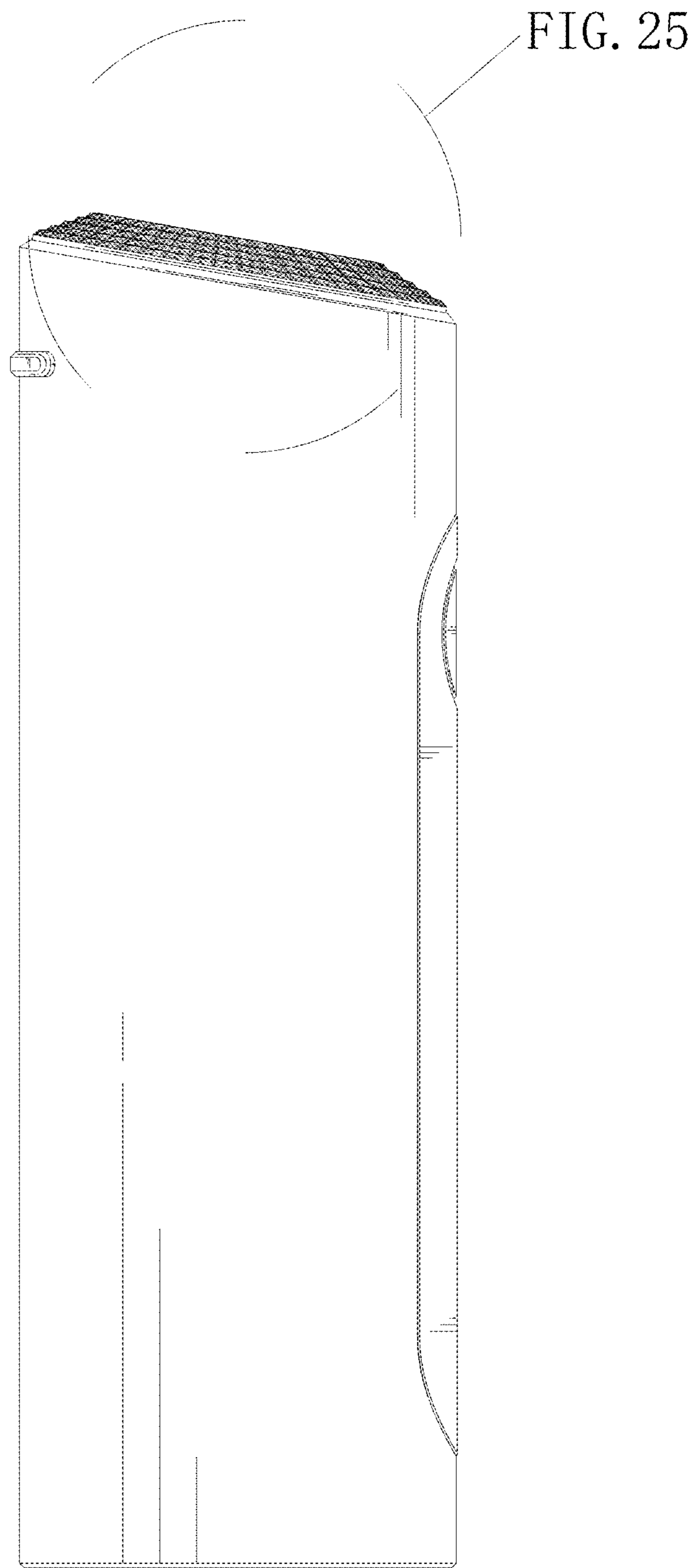


FIG. 9

FIG. 24



FIG. 10



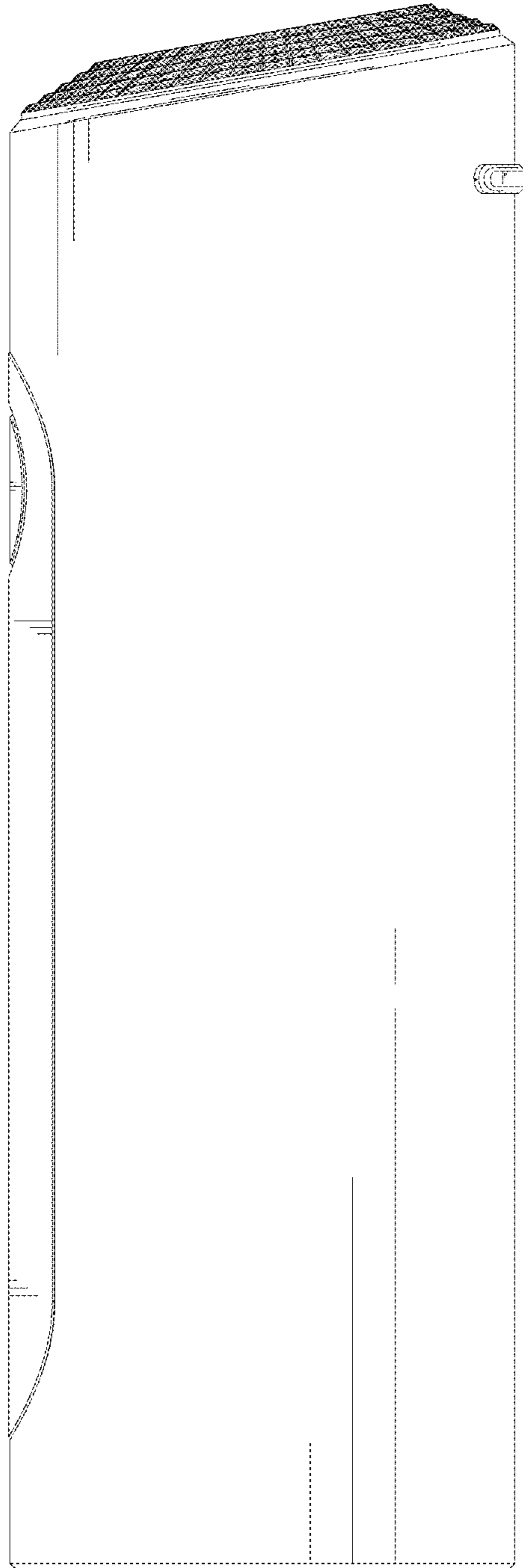


FIG. 12

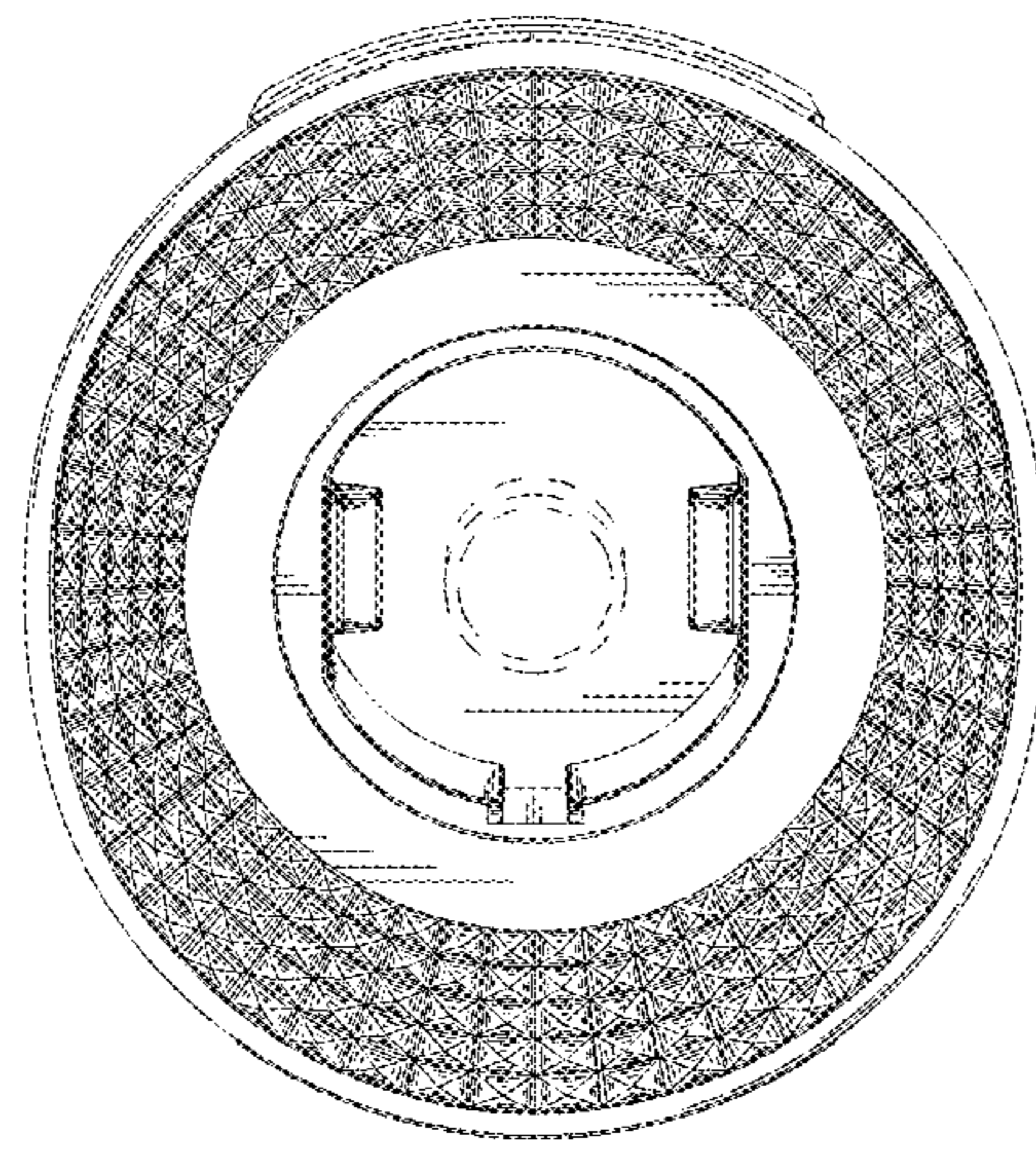


FIG. 13



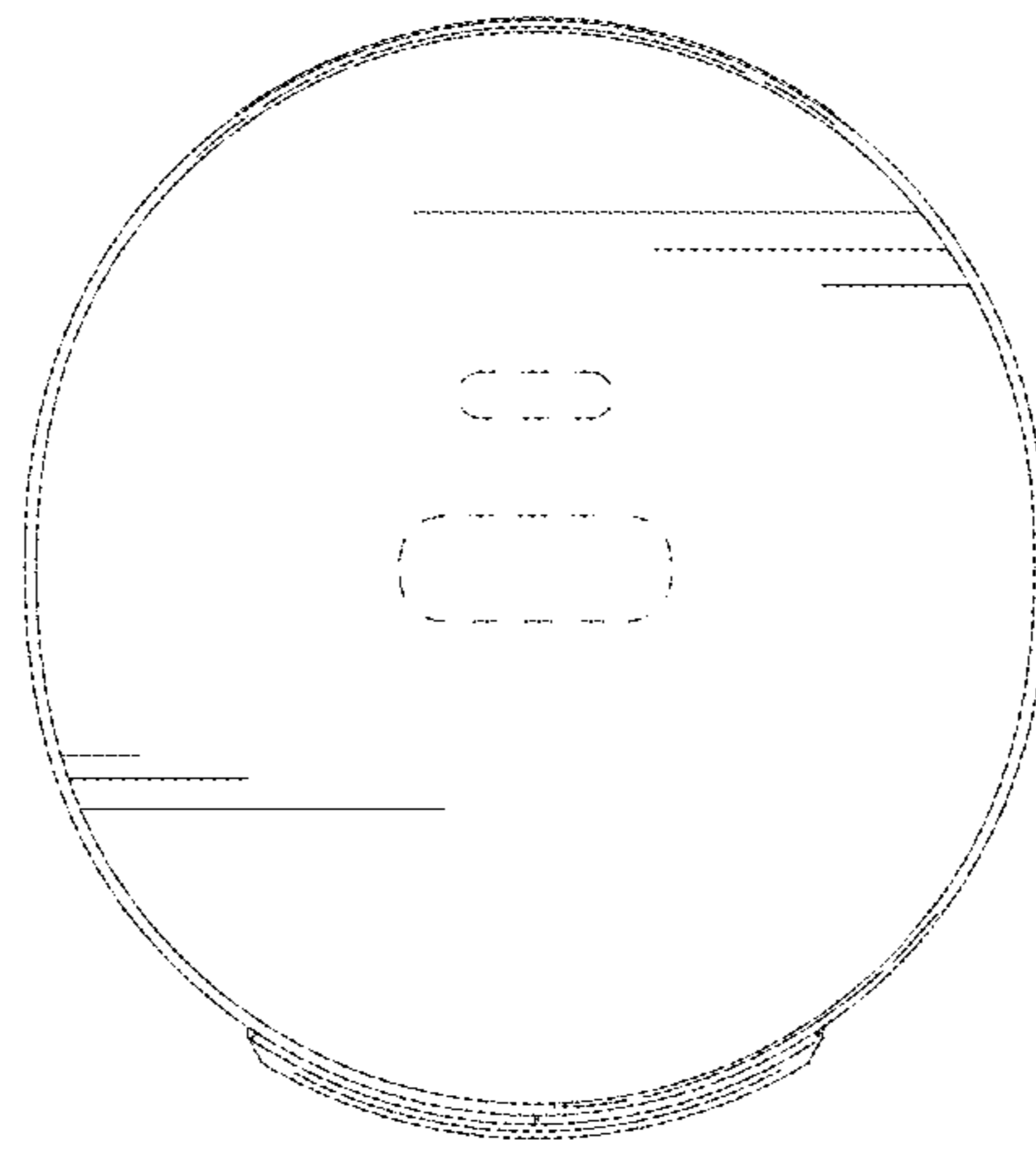


FIG. 14

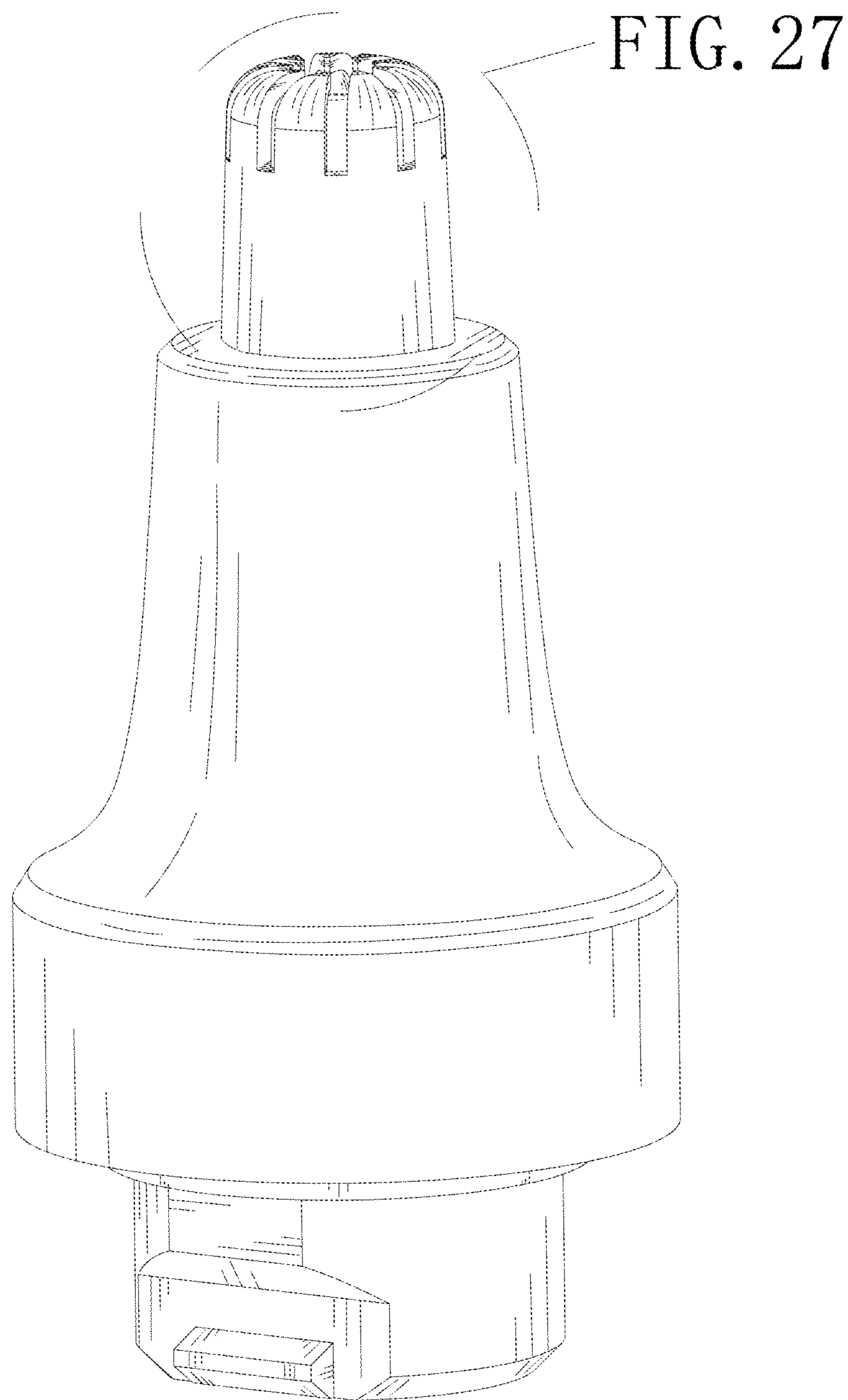


FIG. 15

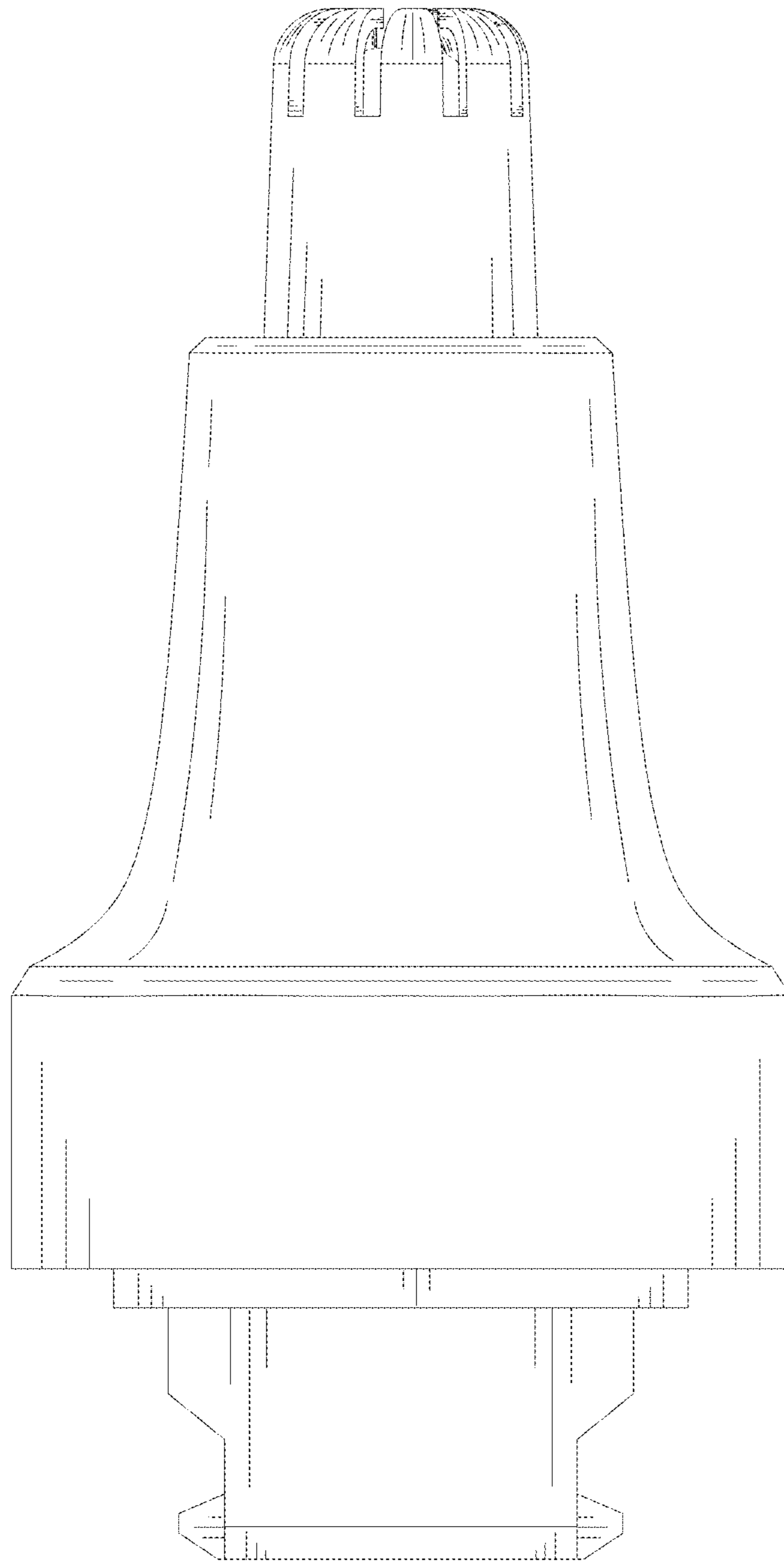


FIG. 16

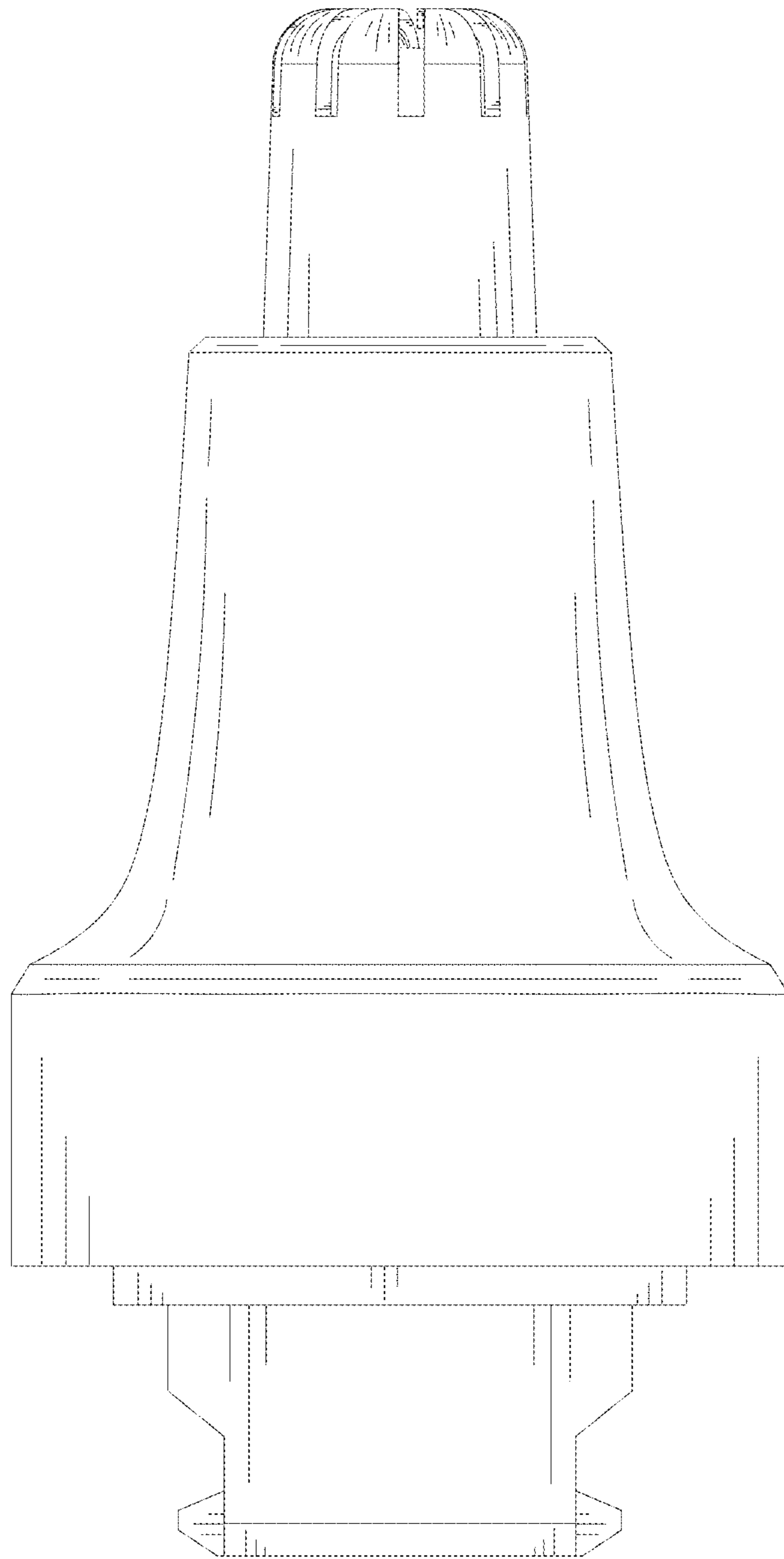


FIG. 17

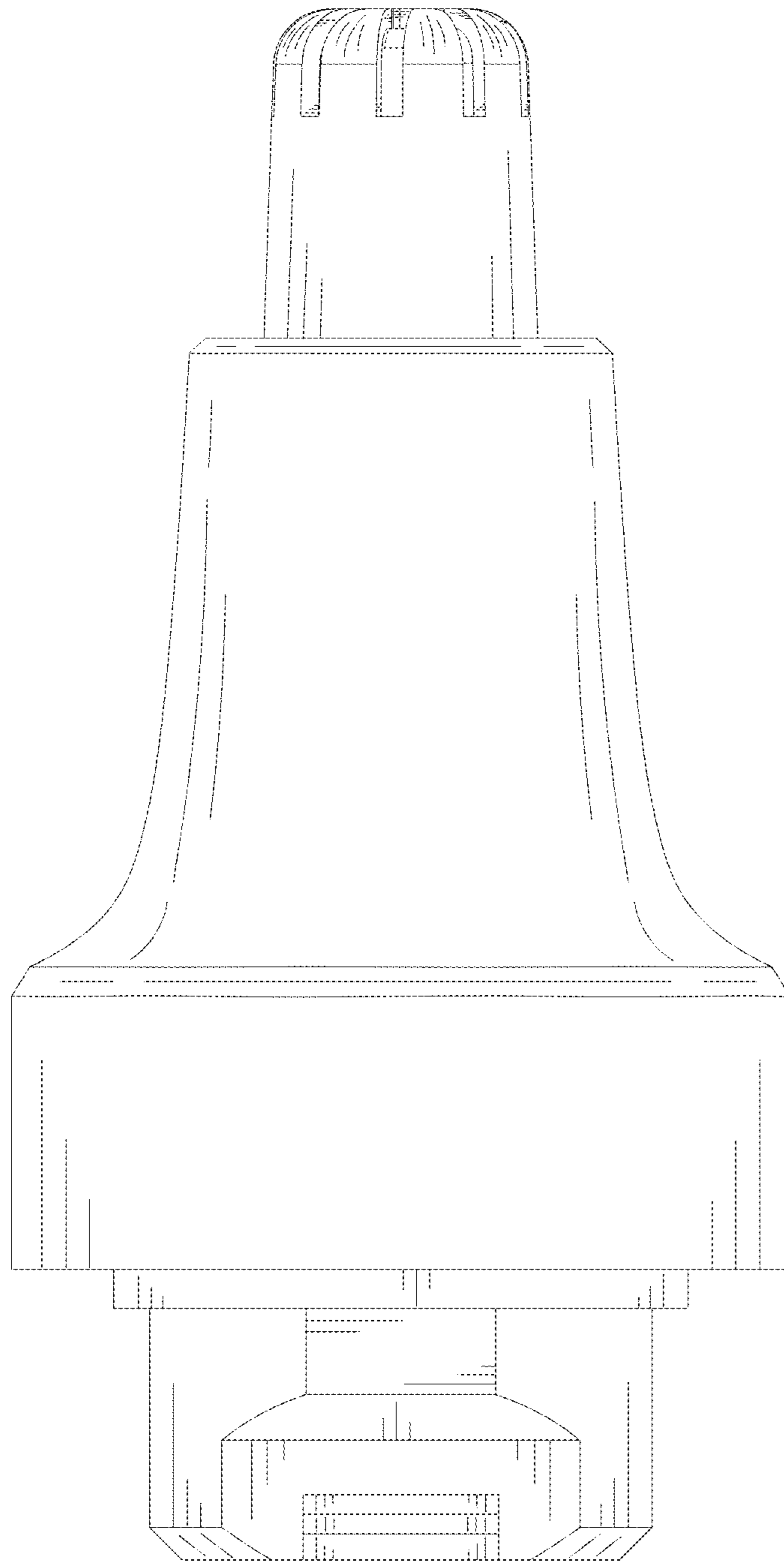


FIG. 18

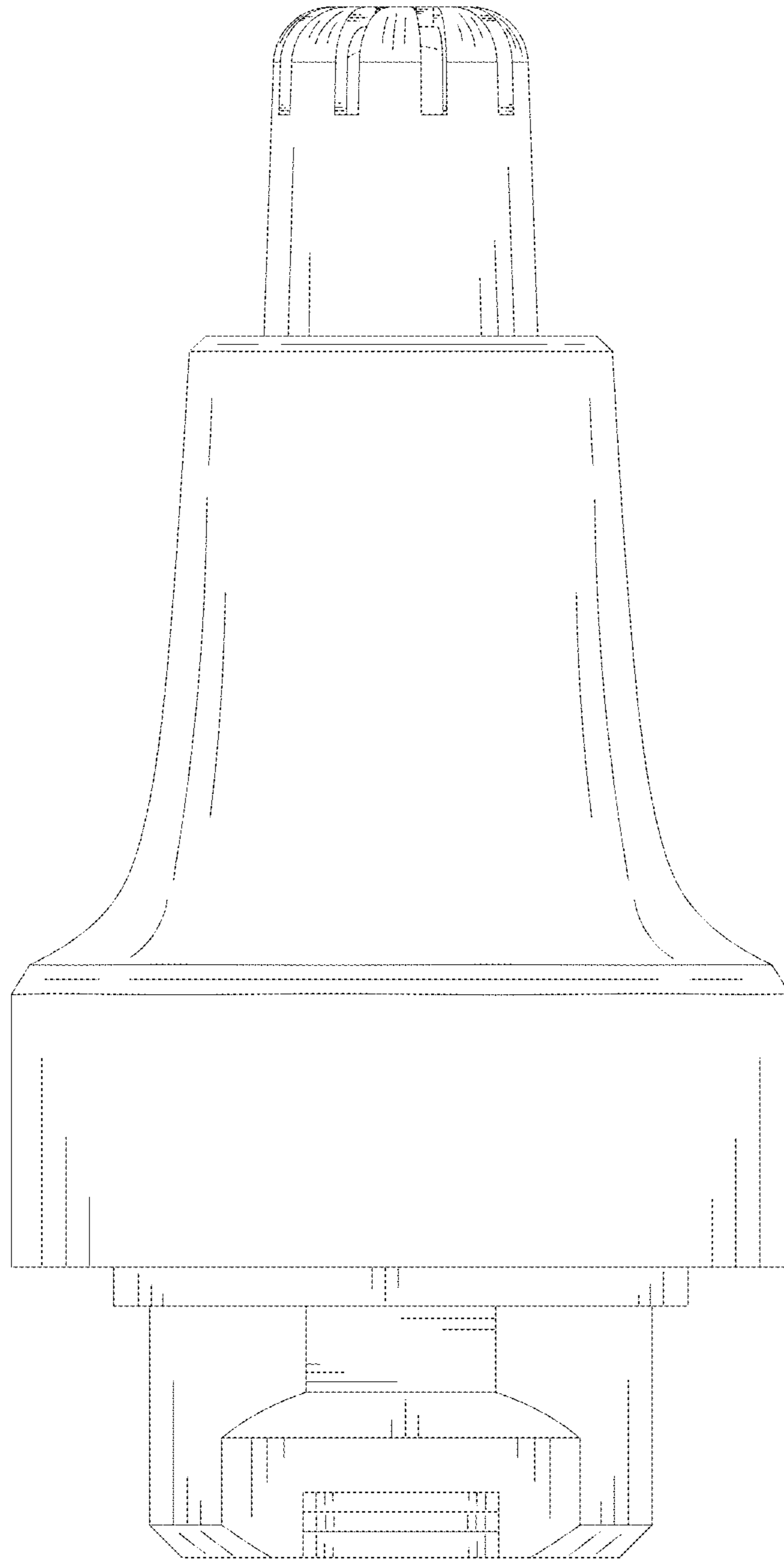


FIG. 19

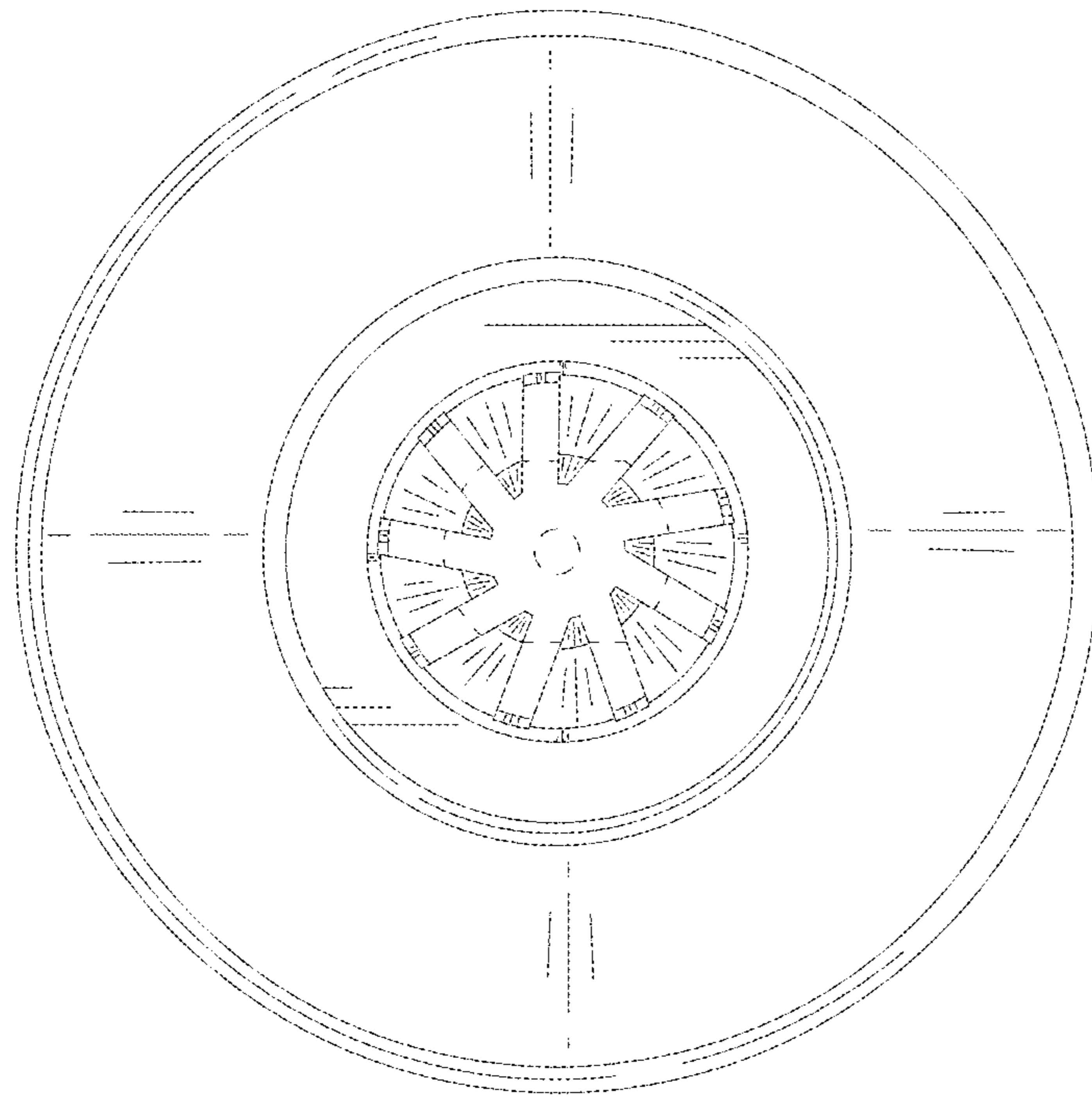


FIG. 20



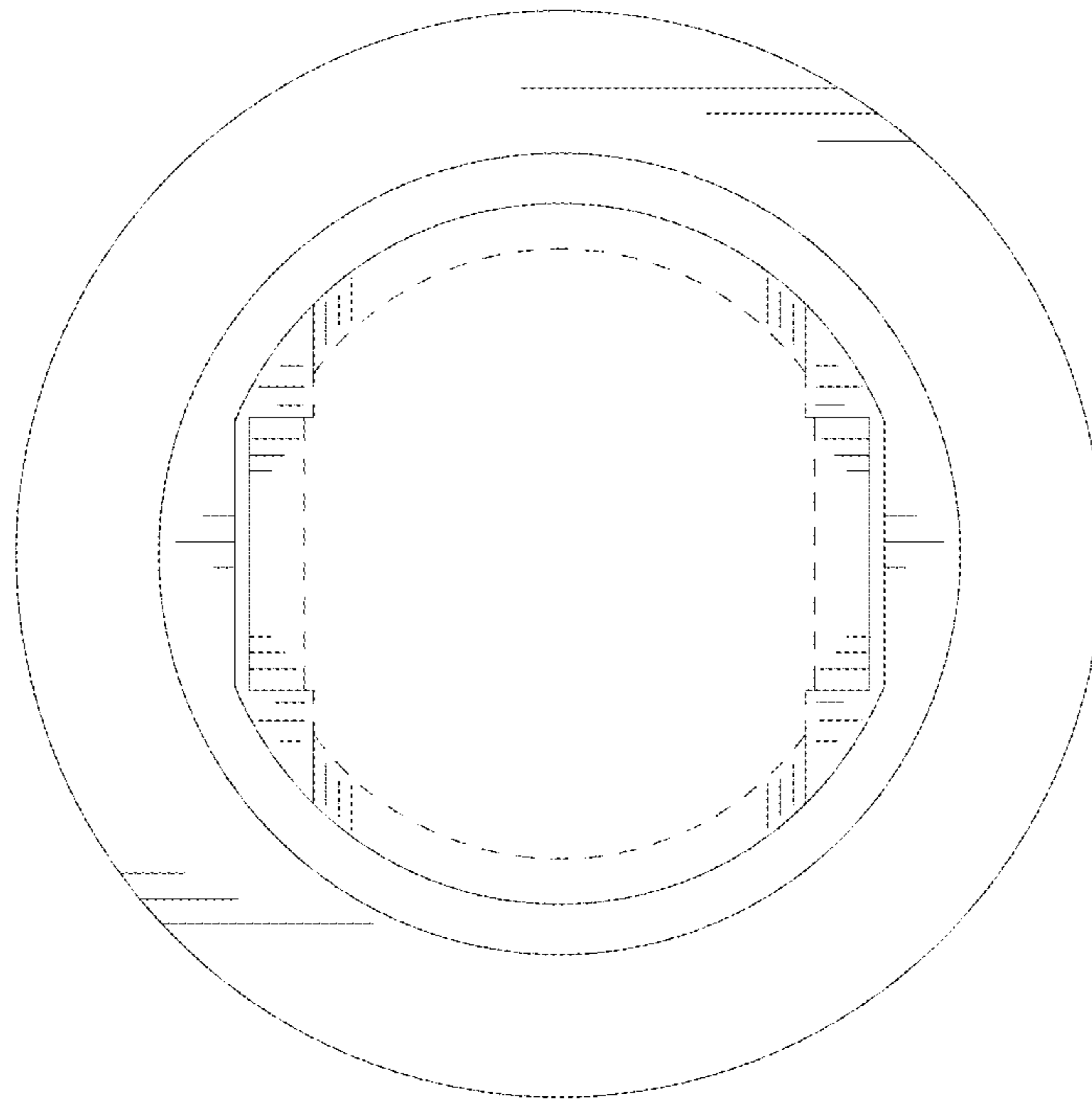


FIG. 21

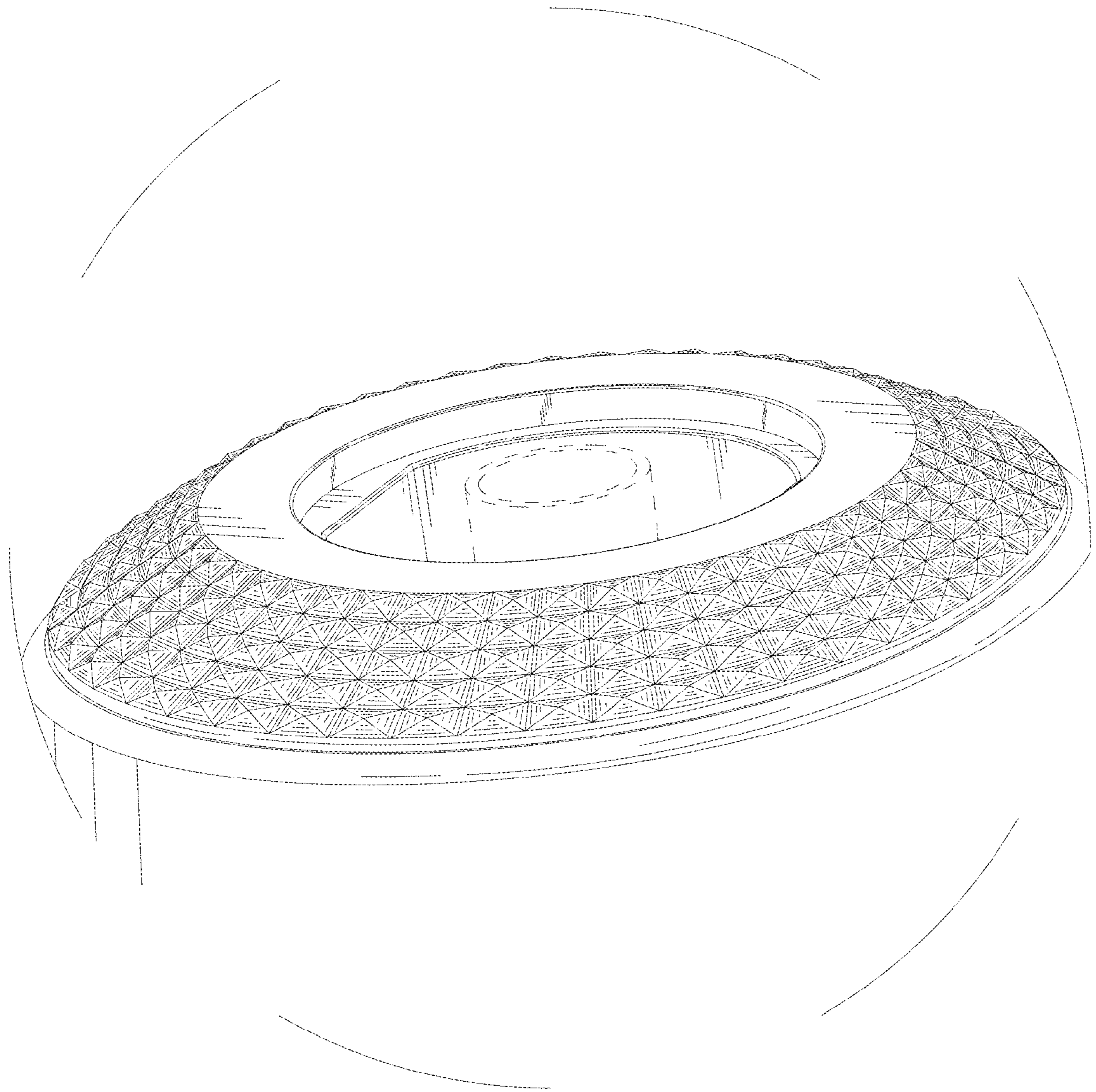


FIG. 22

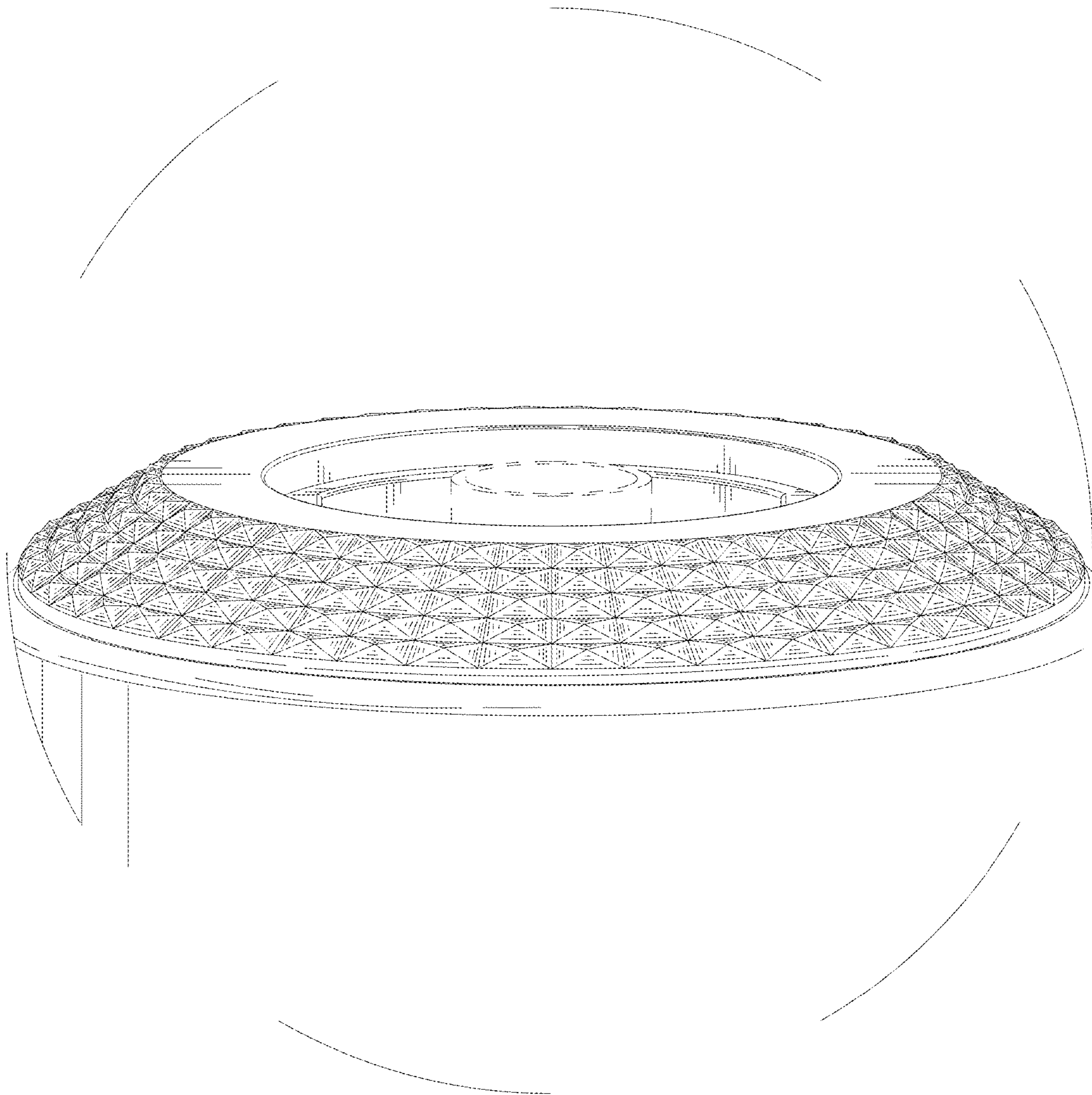


FIG. 23

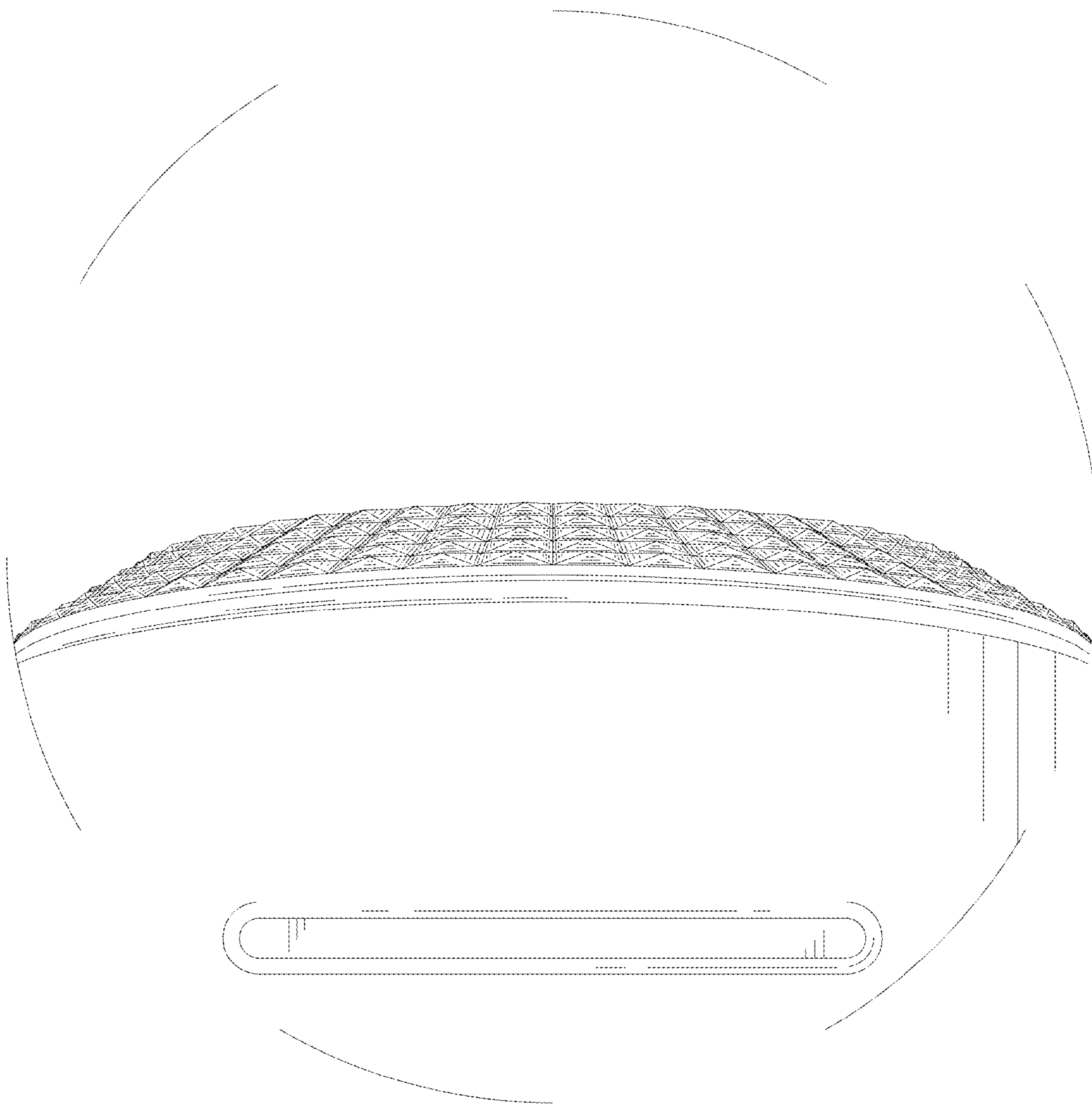


FIG. 24



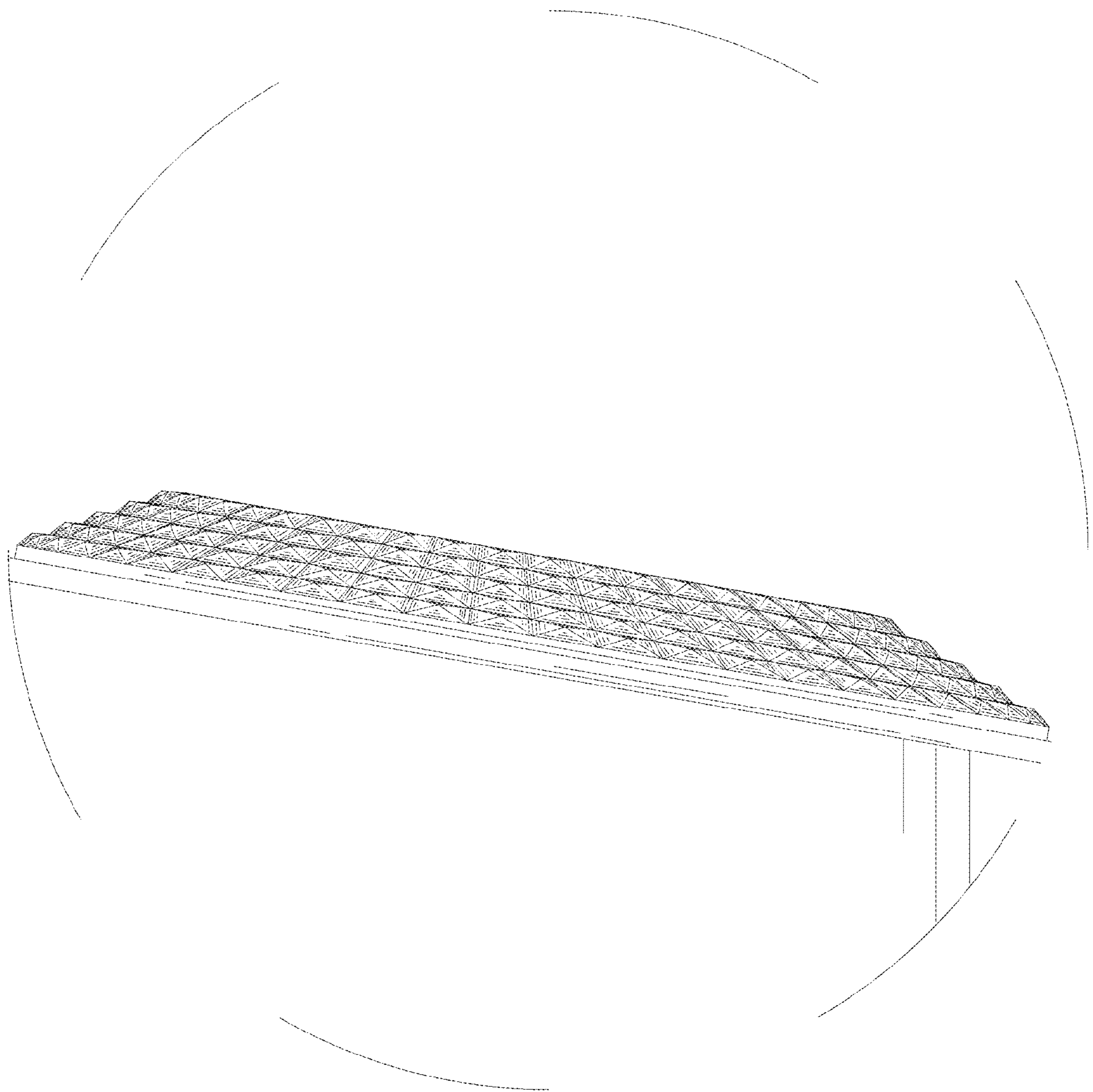


FIG. 25

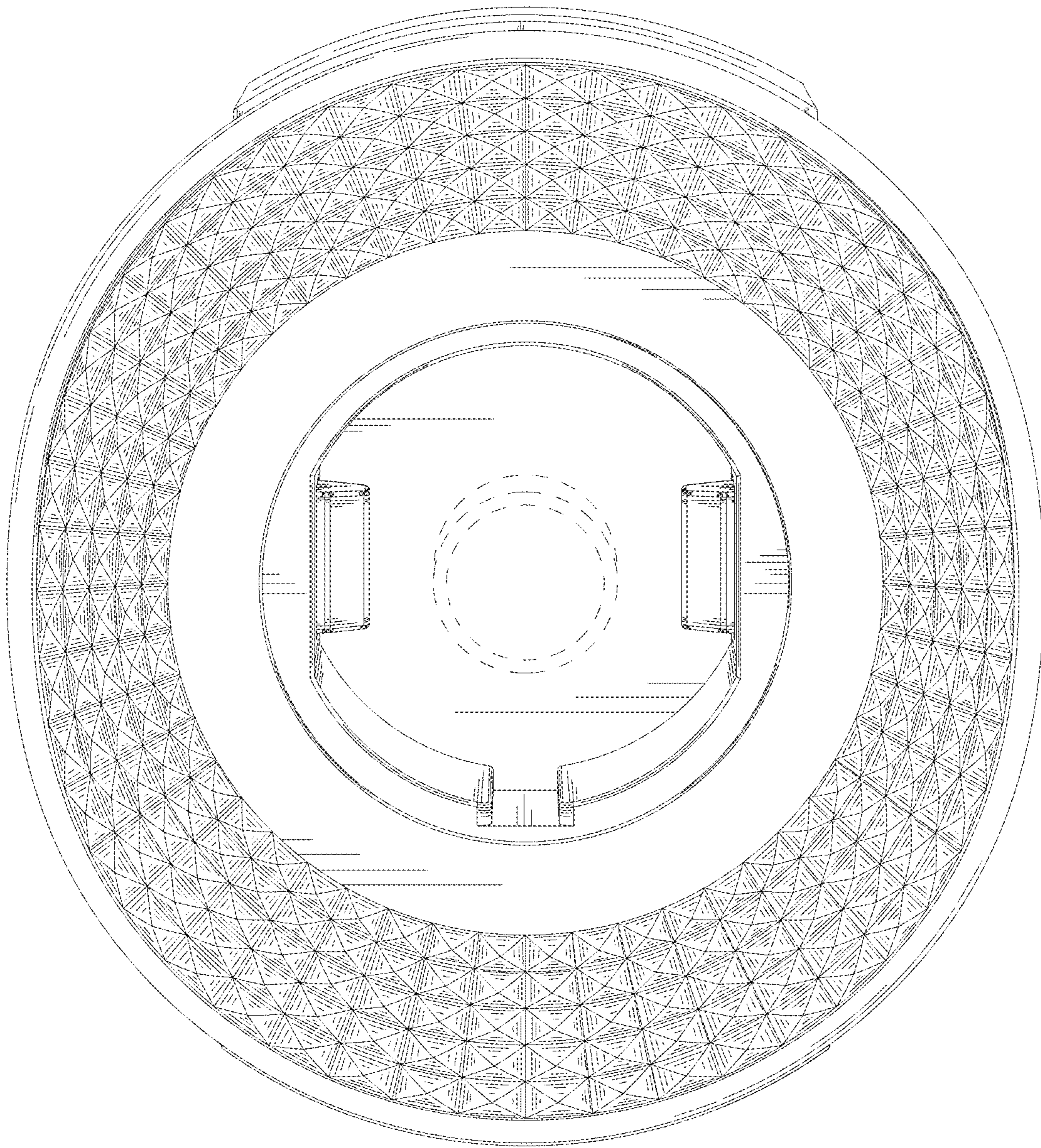


FIG. 26

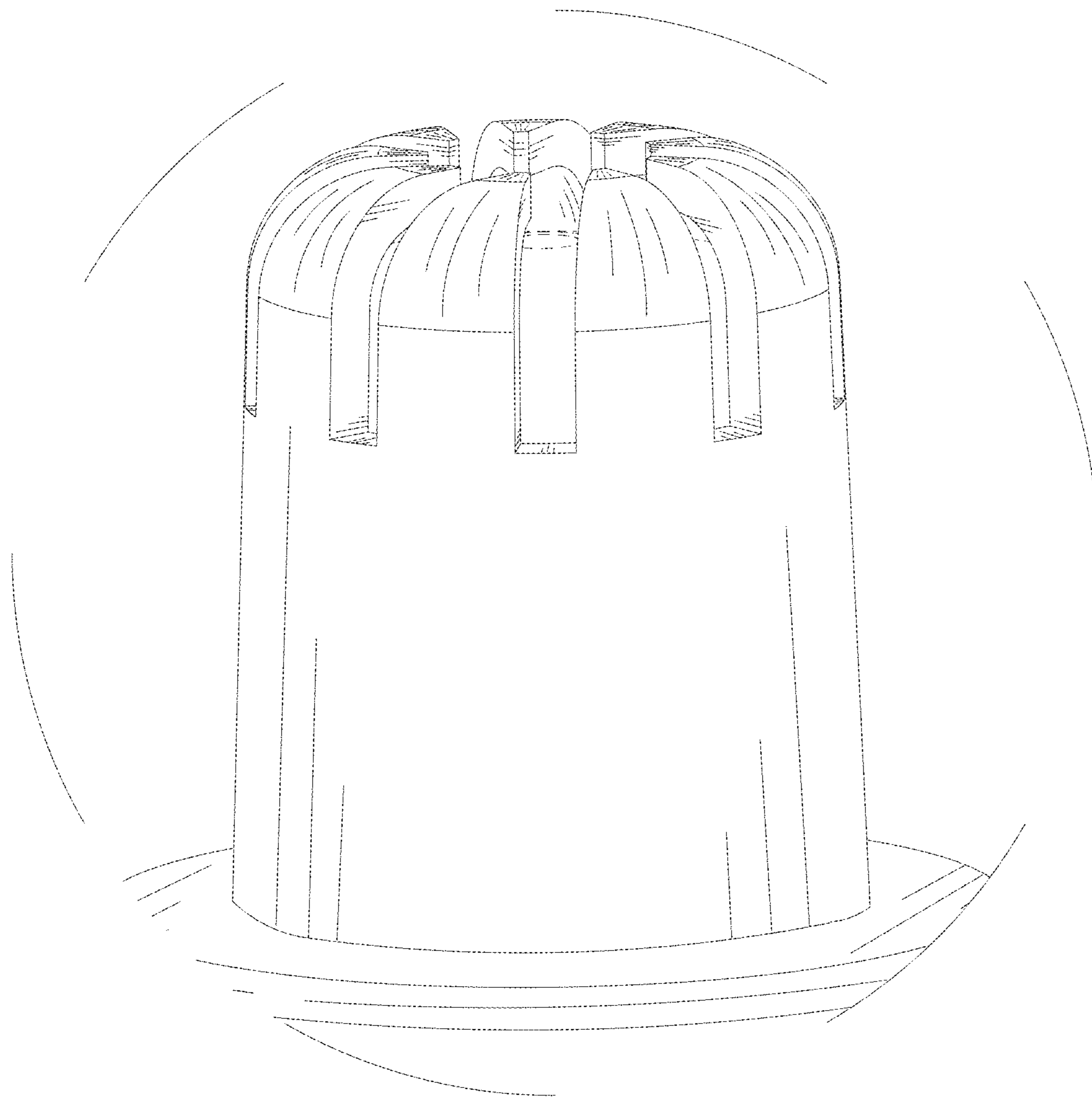


FIG. 27