



US00D951538S

(12) **United States Design Patent**
Raphael

(10) **Patent No.:** **US D951,538 S**

(45) **Date of Patent:** **** May 10, 2022**

- (54) **ELONGATED TINT AND PRINT DISPOSABLE BOWL LINER**
- (71) Applicant: **Rhonda Raphael**, Corona, CA (US)
- (72) Inventor: **Rhonda Raphael**, Corona, CA (US)
- (**) Term: **15 Years**
- (21) Appl. No.: **29/723,107**
- (22) Filed: **Feb. 4, 2020**
- (51) **LOC (13) Cl.** **28-01**
- (52) **U.S. Cl.**
USPC **D28/20; D7/543**
- (58) **Field of Classification Search**
USPC D28/20, 61, 56; D7/500, 543, 545, 546,
D7/550.1, 552.2, 553.2, 554.3; 132/200;
D9/737
CPC A45D 19/18; A45D 19/14; B65D 1/36
See application file for complete search history.

- D474,402 S * 5/2003 Baerenwald D9/420
- D478,474 S 8/2003 Zettle
- D480,604 S 10/2003 Lillelund et al.
- D484,364 S * 12/2003 Bailey D7/357
- D503,310 S 3/2005 Jalet et al.
- D515,880 S * 2/2006 Lerner D7/629
- D529,821 S * 10/2006 Wilcox D9/761
- D530,625 S * 10/2006 Darin D9/761
- 7,204,202 B2 4/2007 Behun
- 7,293,695 B2 * 11/2007 Stier B65D 5/10
206/564
- D564,138 S 3/2008 Dunn et al.
- D565,253 S 3/2008 Modi
- D565,356 S 4/2008 Mellen et al.
- D568,102 S 5/2008 Ruiz de Az a
- D574,189 S * 8/2008 Stamper D7/505

(Continued)

Primary Examiner — Cynthia R Underwood
(74) *Attorney, Agent, or Firm* — Kirk A. Buhler; Buhler & Associates Patenting

(57) **CLAIM**

The ornamental design for an elongated tint and print disposable bowl liner, as shown and described.

(56) **References Cited**

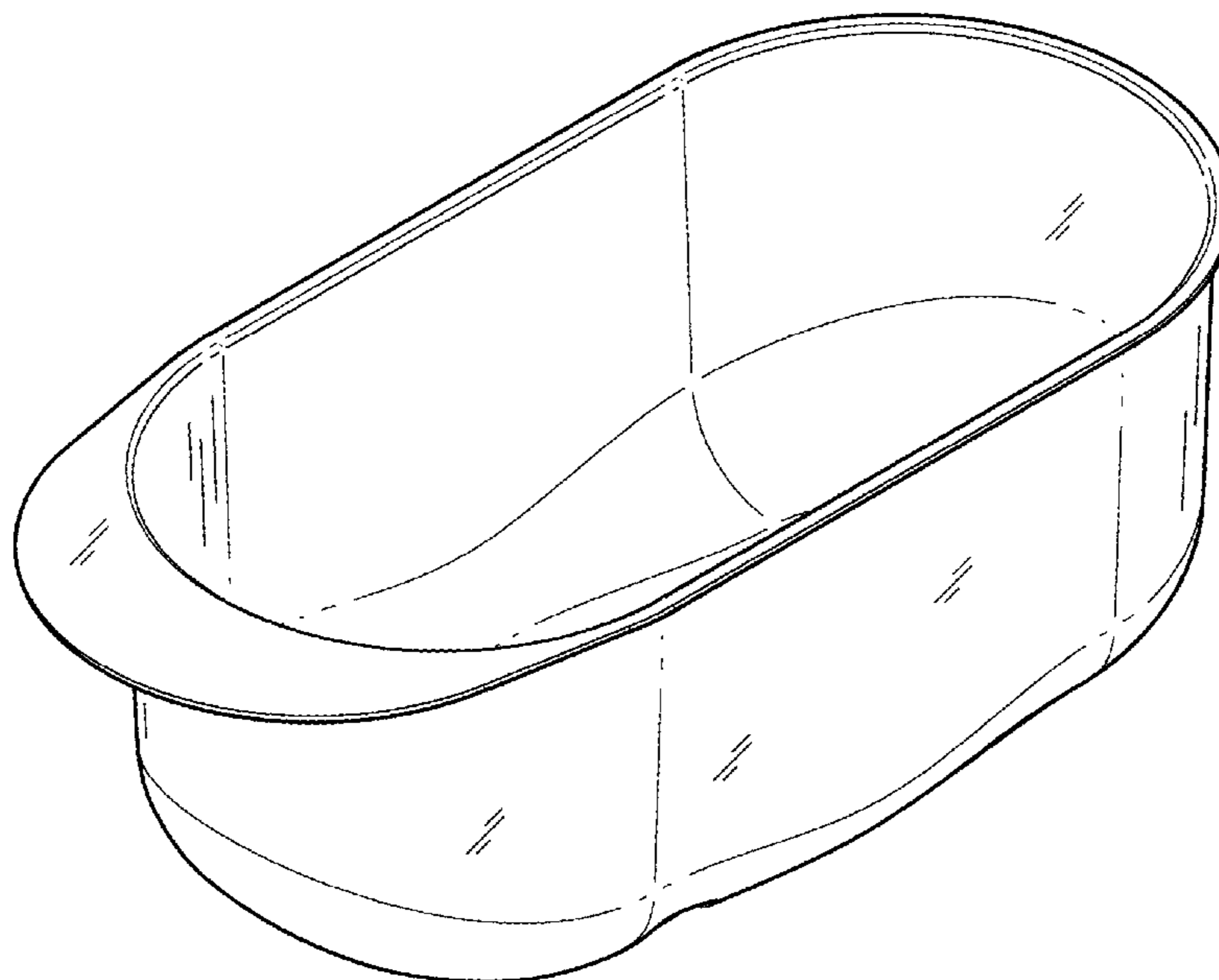
U.S. PATENT DOCUMENTS

- D55,366 S 6/1920 Churchill
- 2,677,947 A 4/1950 Guildler
- 2,924,372 A * 2/1960 Kirkeby B65D 5/48018
206/563
- D224,662 S * 8/1972 Swett D7/546
- D232,302 S * 8/1974 Re D9/761
- D330,785 S 11/1992 Jordan
- D332,393 S * 1/1993 Boone D9/760
- D408,222 S * 4/1999 Carter D7/541
- D432,860 S 10/2000 Hamilton
- D442,484 S * 5/2001 Maxwell D7/629
- D454,989 S 3/2002 McLaughlin
- D456,708 S * 5/2002 Harris D28/20
- D464,567 S * 10/2002 Baerenwald D9/432
- D471,017 S * 3/2003 Cheung D28/20
- D471,668 S * 3/2003 Cheung D28/20
- D472,774 S * 4/2003 Pelstring D7/629

DESCRIPTION

FIG. 1 is a top perspective view for an elongated tint and print disposable bowl liner showing my new design; FIG. 2 is a right side elevation view, the left side elevation view being a mirror image thereof; FIG. 3 is a front elevation view thereof; FIG. 4 is a rear elevation view thereof; FIG. 5 is a top side view thereof; FIG. 6 is a bottom side view thereof; FIG. 7 is a bottom rear perspective view thereof; and, FIG. 8 is a top perspective view in an environment of use. The broken lines represent an environment of use that form no part of the claim.

1 Claim, 5 Drawing Sheets



(56)

References Cited

U.S. PATENT DOCUMENTS

D587,406 S	2/2009	Ruiz	
D590,551 S	4/2009	Sperbeck	
D595,155 S *	6/2009	Larson	D9/425
D599,611 S *	9/2009	Hoekstra	D7/354
D601,381 S *	10/2009	Stamper	D7/505
D608,153 S *	1/2010	Furlong	D7/602
D615,822 S *	5/2010	Klein	D7/541
D626,790 S	11/2010	Gibson et al.	
D643,311 S *	8/2011	Meyers	D9/761
D645,708 S *	9/2011	Stamper	D7/602
D649,869 S *	12/2011	Gibson	D9/421
D650,267 S *	12/2011	Gibson	D9/428
D656,789 S *	4/2012	Locke	D7/541
D659,023 S *	5/2012	Hsu	D9/737
D665,628 S *	8/2012	Mayer	D7/586
D666,058 S *	8/2012	Liang	D7/541
D682,482 S	5/2013	Nelson	
D682,485 S	5/2013	Wygle	
D686,499 S *	7/2013	Wilmers	D9/456
D688,921 S *	9/2013	Miros	D7/629
D693,180 S *	11/2013	Peterson	D7/555
D696,910 S *	1/2014	Franczyk	D7/629
D698,206 S *	1/2014	Molayem	D7/629
D713,741 S *	9/2014	Wilmers	D9/761
D715,594 S	10/2014	Norland et al.	
D717,607 S	11/2014	Miller et al.	
D728,865 S	5/2015	Tsengas	
D734,171 S *	7/2015	Bennett	D9/762
D736,616 S *	8/2015	Suen	D9/425
9,220,372 B2	12/2015	Benoit et al.	
D746,640 S	1/2016	Myoung et al.	
D750,973 S *	3/2016	McSweeney	D9/756
D760,035 S *	6/2016	Kim	D7/629
D762,017 S	7/2016	Tsengas	
9,392,767 B2	7/2016	Talt et al.	
D763,706 S *	8/2016	Shum	D9/737
D764,237 S *	8/2016	Yen	D7/629
D778,115 S *	2/2017	Strachan	D7/553.1
D778,155 S *	2/2017	Strachan	D9/432
D792,211 S *	7/2017	Foster	D9/425
D814,316 S *	4/2018	Overgaag	D9/759
D831,505 S *	10/2018	McSweeney	D9/756
D836,875 S *	12/2018	Bergman	D32/53.1
D840,232 S *	2/2019	Sill	D9/456
D876,903 S *	3/2020	Moore	D7/602
D880,957 S *	4/2020	Xu	D7/629
D885,187 S *	5/2020	Sill	D9/456
D890,992 S *	7/2020	Leone	D28/20
D891,879 S *	8/2020	Adams, Jr.	D7/629
2005/0124521 A1 *	6/2005	Sadlowski	D06F 39/024 510/295
2006/0201950 A1 *	9/2006	Liu	B65D 1/36 220/526
2010/0224531 A1 *	9/2010	Claffy	B65D 81/3823 206/561
2020/0262637 A1 *	8/2020	Tattam	B65D 5/12

* cited by examiner

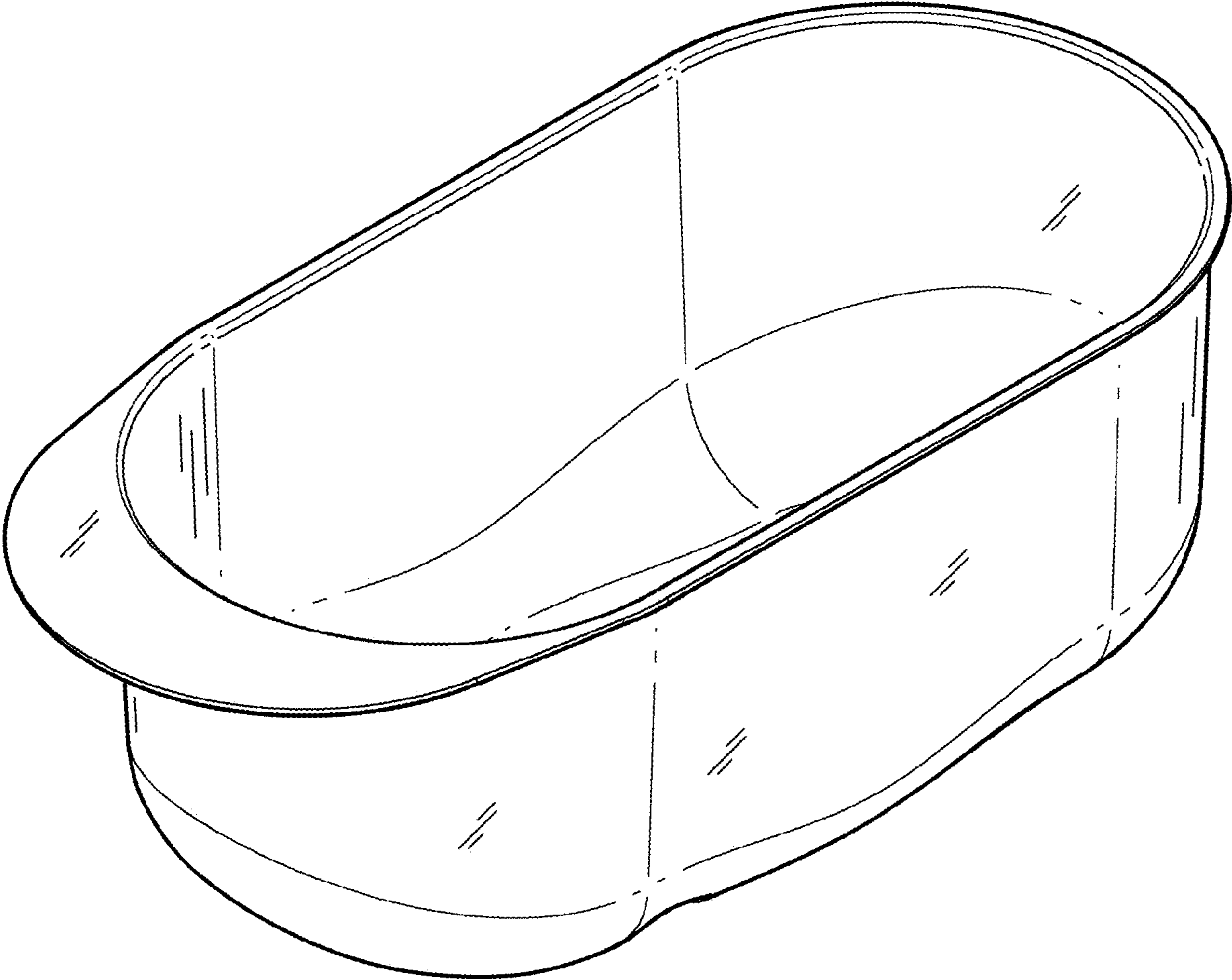


FIG. 1

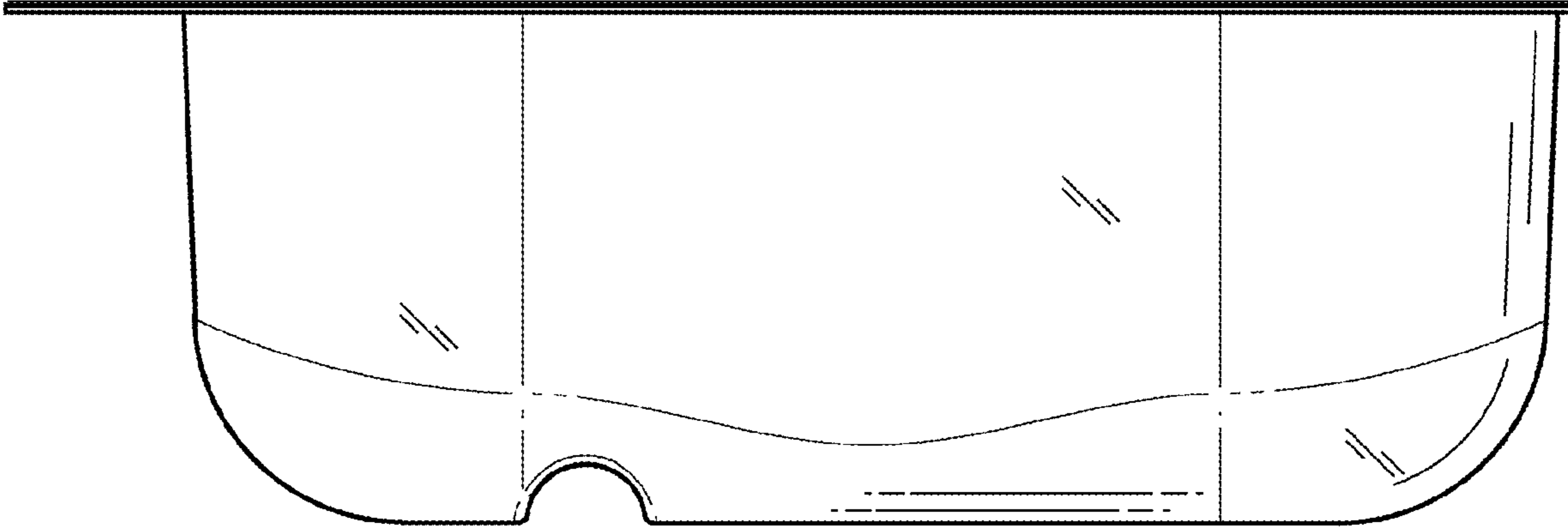


FIG. 2

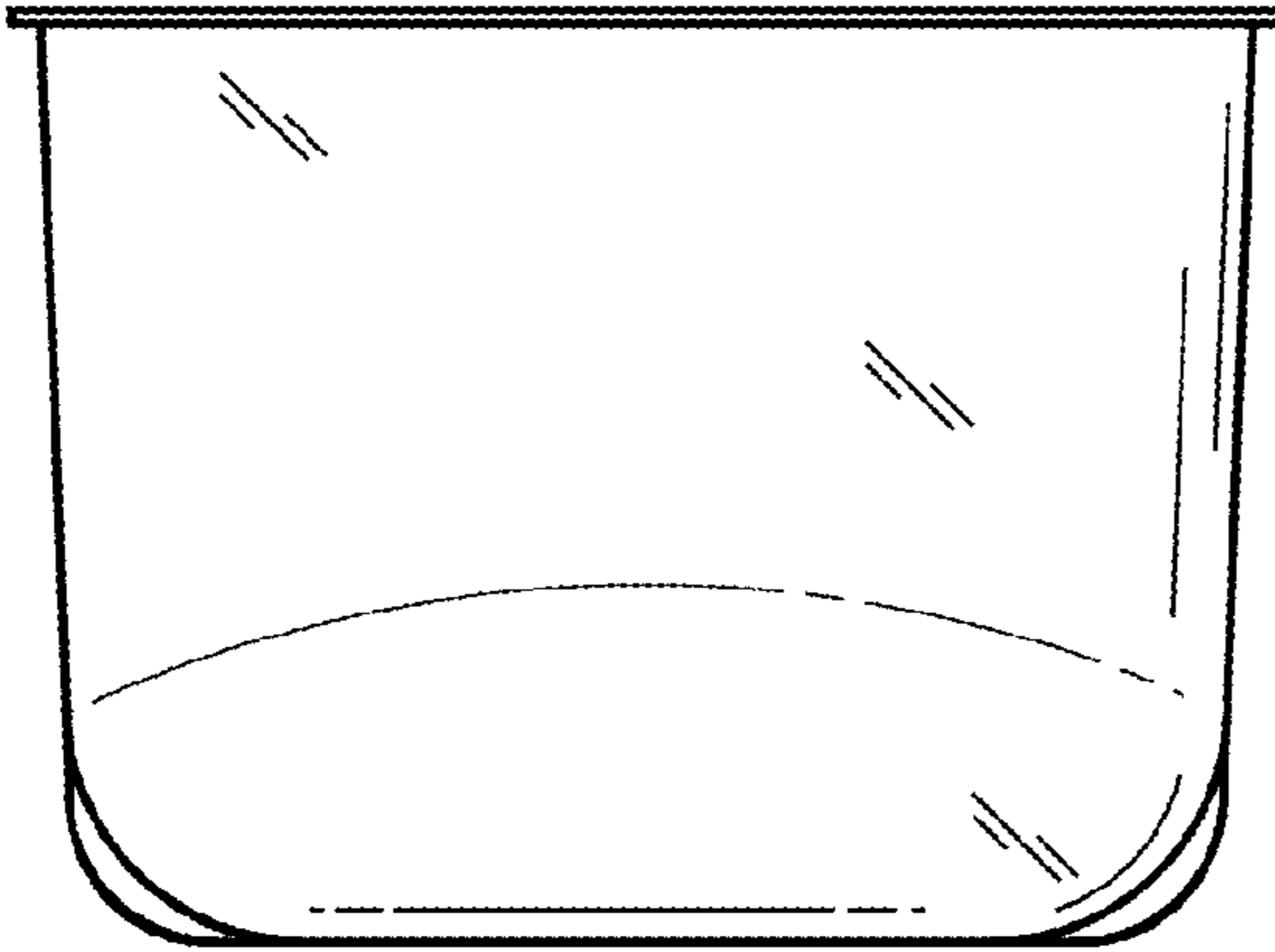


FIG. 3

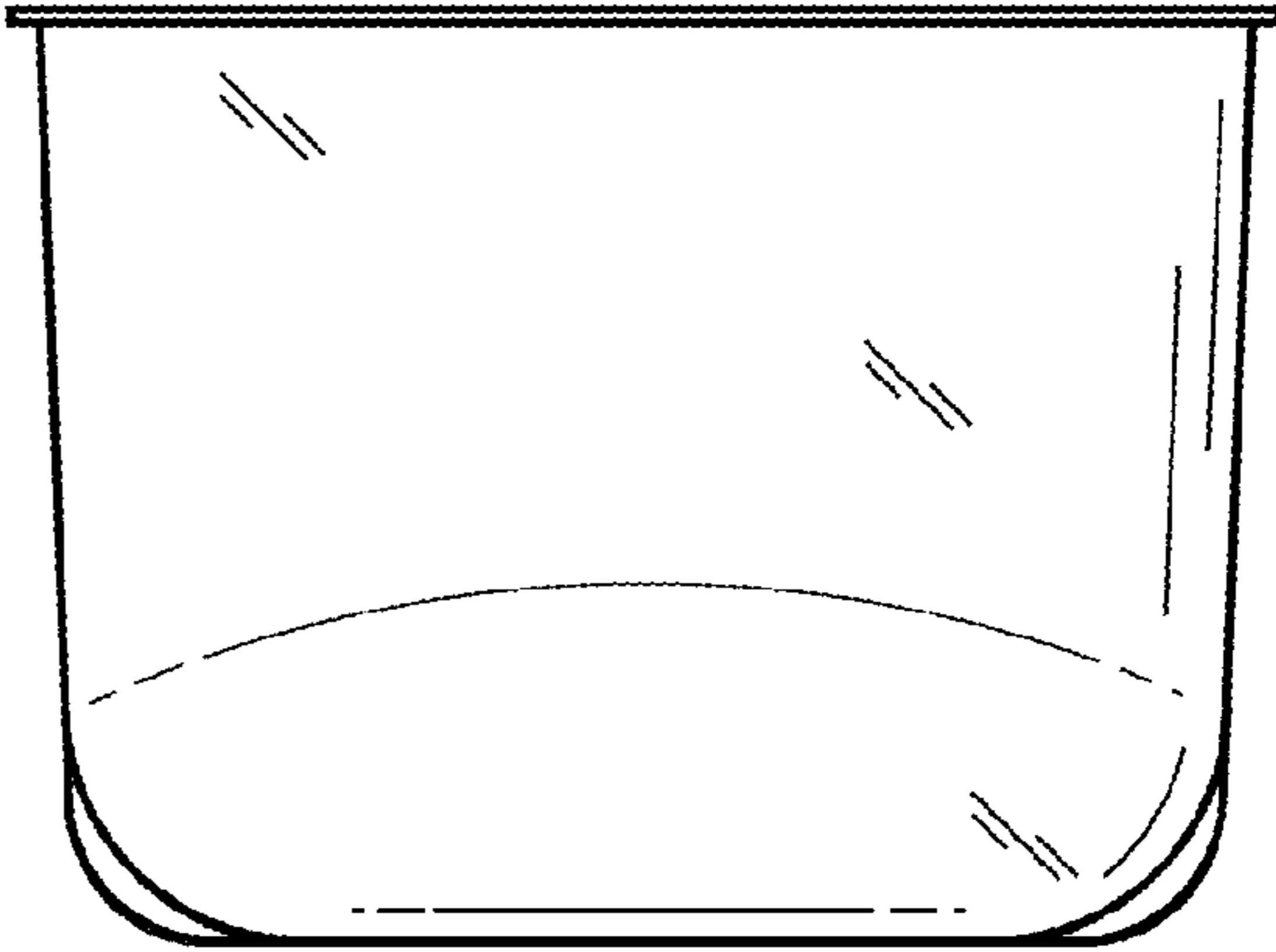


FIG. 4

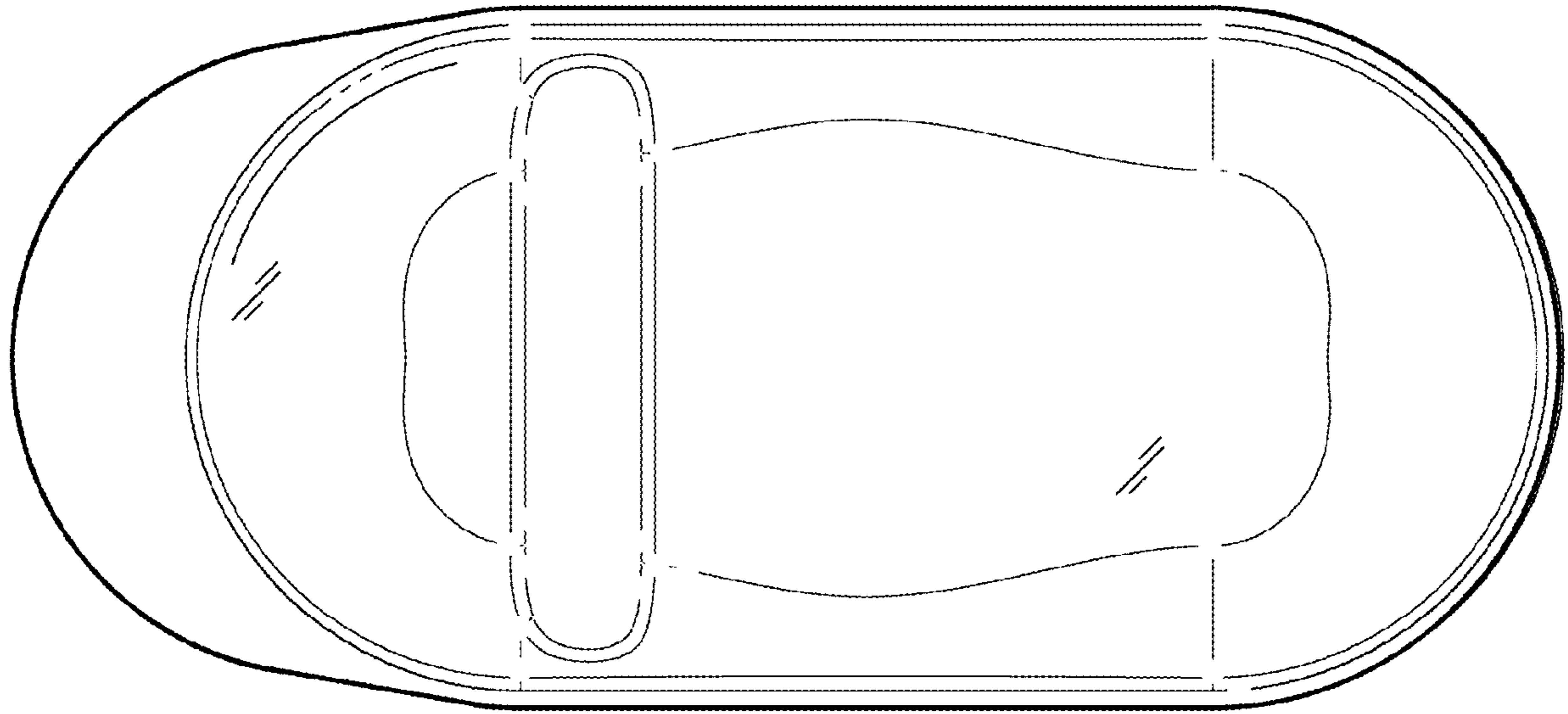


FIG. 5

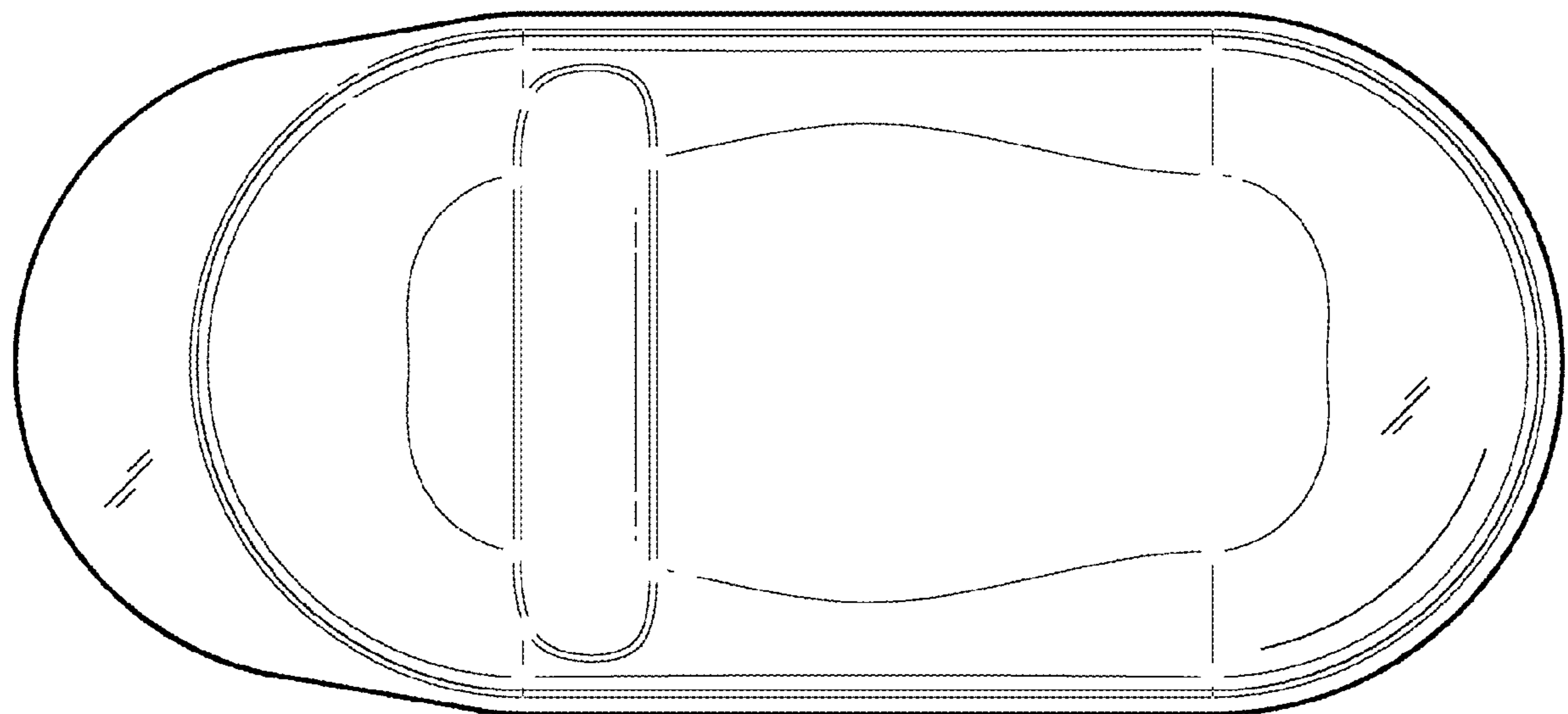


FIG. 6

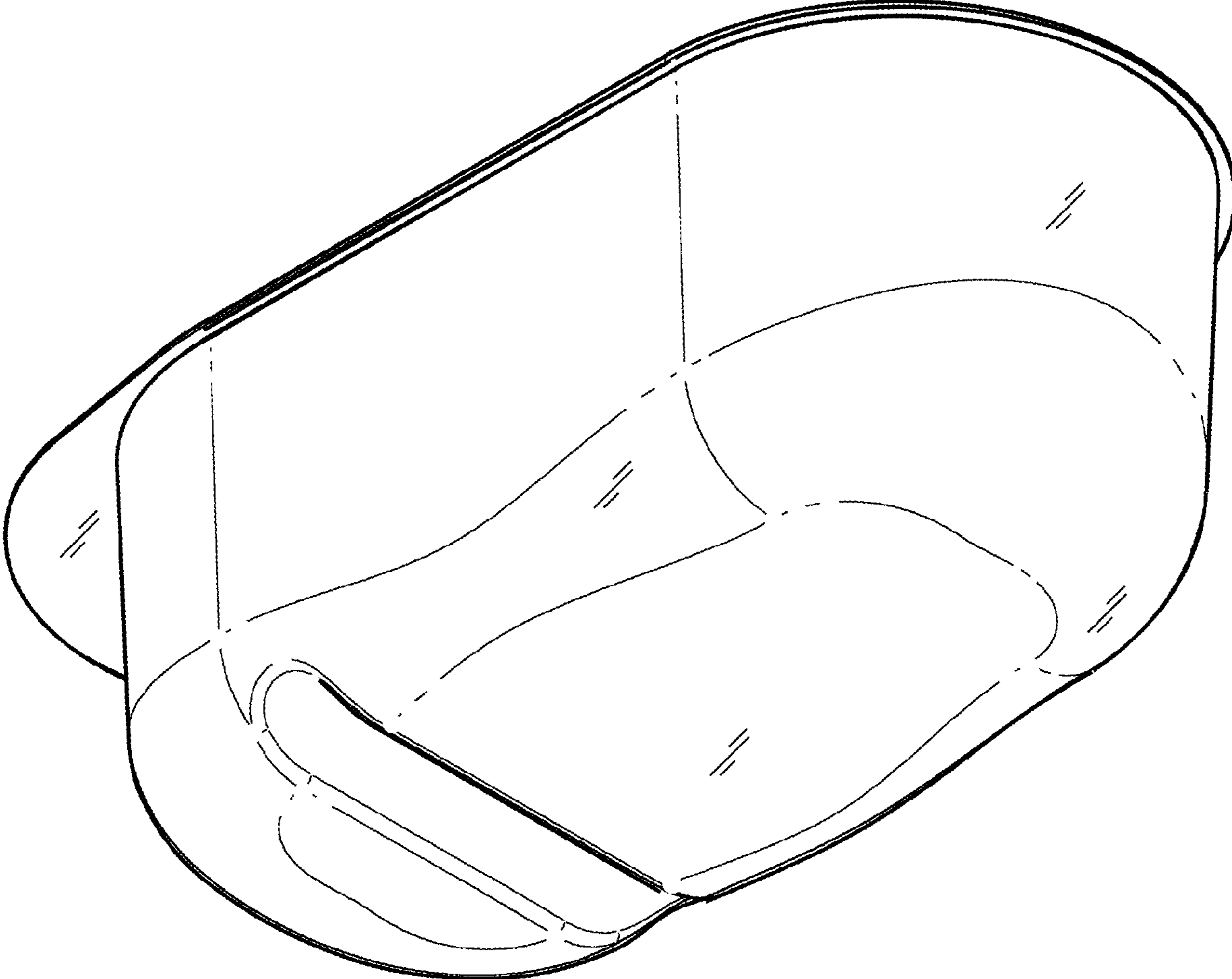


FIG. 7

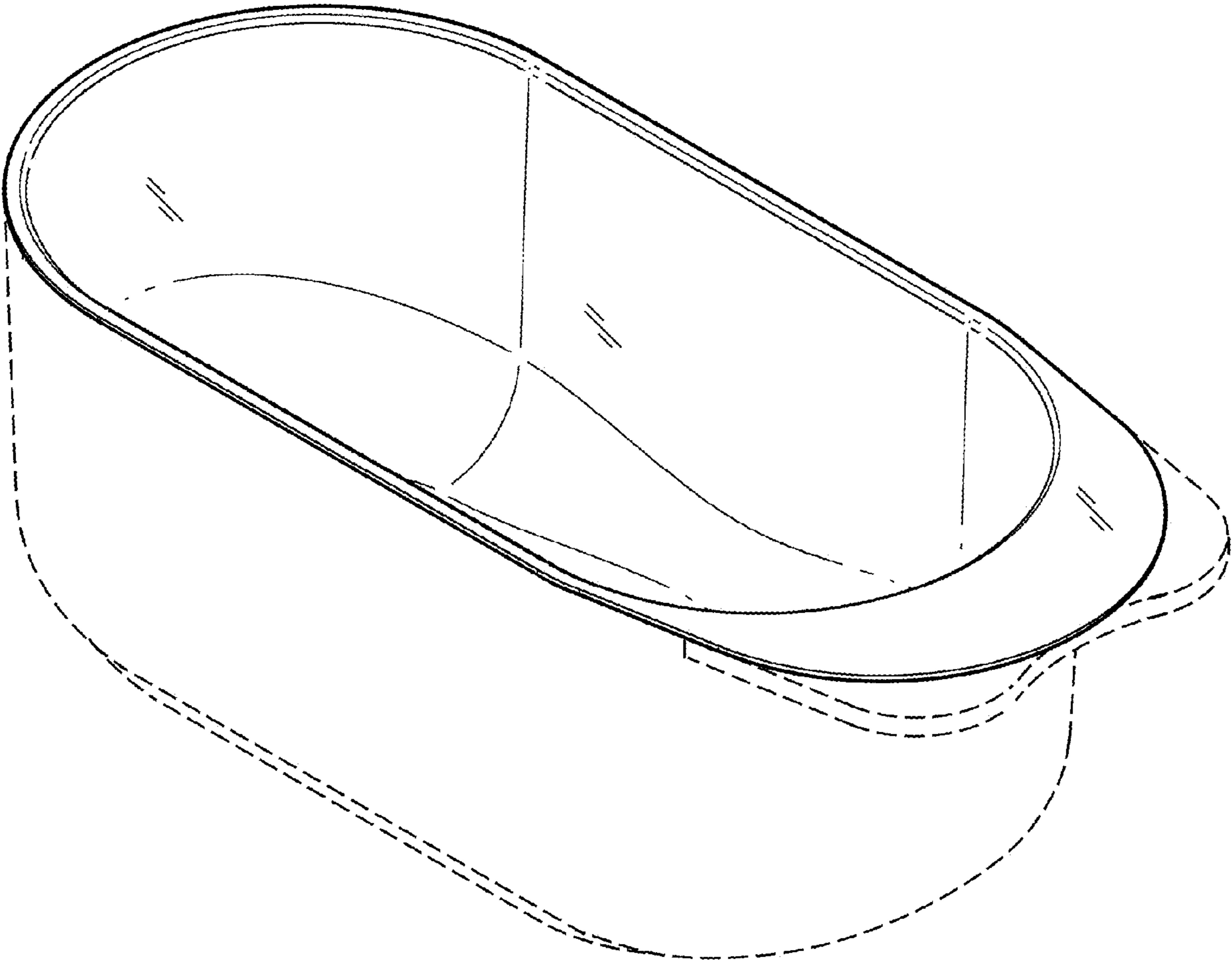


FIG. 8