



US00D951536S

(12) **United States Design Patent**
Leclerco et al.

(10) **Patent No.:** **US D951,536 S**
(45) **Date of Patent:** **** May 10, 2022**

(54) **COSMETIC CONTAINER**

- (71) Applicant: **Huda Beauty Limited**, Tortola (VG)
- (72) Inventors: **Camille Colette Pierrette Leclerco**,
Dubai (AE); **Marine Malak**, London
(GB); **Nikeisha Romona Black**, Dubai
(AE); **Huda Heidi Kattan**, Dubai (AE)
- (73) Assignee: **Huda Beauty Limited**, Tortola (VG)
- (**) Term: **15 Years**
- (21) Appl. No.: **29/704,382**
- (22) Filed: **Sep. 4, 2019**
- (30) **Foreign Application Priority Data**

- Aug. 21, 2019 (EM) 006745626
- (51) **LOC (13) Cl.** **28-03**
- (52) **U.S. Cl.**
USPC **D28/7**
- (58) **Field of Classification Search**
USPC D28/7, 8, 99; D19/115, 116, 117
CPC A45D 34/04; A45D 40/04; A45D 40/24
See application file for complete search history.

(56) **References Cited**

U.S. PATENT DOCUMENTS

- D306,316 S * 2/1990 Shintani D19/117
- D645,506 S * 9/2011 Hung D19/117
- D648,384 S * 11/2011 Hung D19/117
- D654,537 S * 2/2012 Hung D19/117
- D655,753 S * 3/2012 Han D19/117
- D656,545 S * 3/2012 Hung D19/117
- D713,459 S * 9/2014 Zeitler D19/117
- D825,660 S * 8/2018 Hung D19/117
- D837,297 S * 1/2019 Muroi D19/117
- 2016/0143417 A1 * 5/2016 Eberlein A45D 40/24
132/317
- 2019/0166979 A1 * 6/2019 Hale A45D 44/00

* cited by examiner

Primary Examiner — Zenia I Bennett

(74) *Attorney, Agent, or Firm* — Boyle Fredrickson, S.C.

(57) **CLAIM**

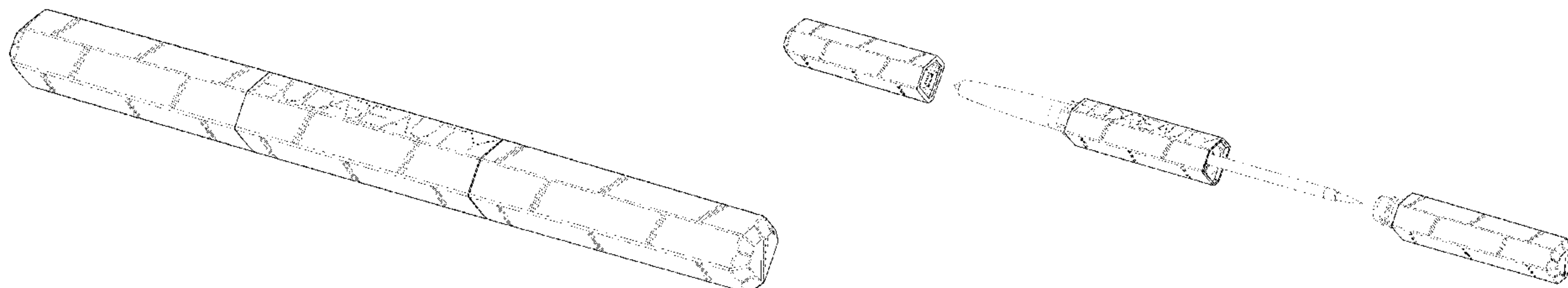
The ornamental design for a cosmetic container, as shown and described.

DESCRIPTION

FIG. 1 is a perspective view of a first embodiment of a cosmetic container;
 FIG. 2 is a top view of the cosmetic container of FIG. 1;
 FIG. 3 is a bottom view of the cosmetic container of FIG. 1;
 FIG. 4 is right side view of the cosmetic container of FIG. 1;
 FIG. 5 is a left side view of the cosmetic container of FIG. 1;
 FIG. 6 is an end view of the cosmetic container of FIG. 1;
 FIG. 7 is an opposite end view of the cosmetic container of FIG. 1;
 FIG. 8 is a perspective view of a second embodiment of a cosmetic container, shown in an open condition;
 FIG. 9 is a top view of the cosmetic container of FIG. 8;
 FIG. 10 is a bottom view of the cosmetic container of FIG. 8;
 FIG. 11 is right side view of the cosmetic container of FIG. 8;
 FIG. 12 is a left side view of the cosmetic container of FIG. 8;
 FIG. 13 is an end view of the cosmetic container of FIG. 8;
 and,
 FIG. 14 is an opposite end view of the cosmetic container of FIG. 8.

Any part of the design illustrated in broken lines forms no part of the claimed design. The surface shading illustrated in the drawings highlights the contour of the design and is not surface pattern.

1 Claim, 8 Drawing Sheets



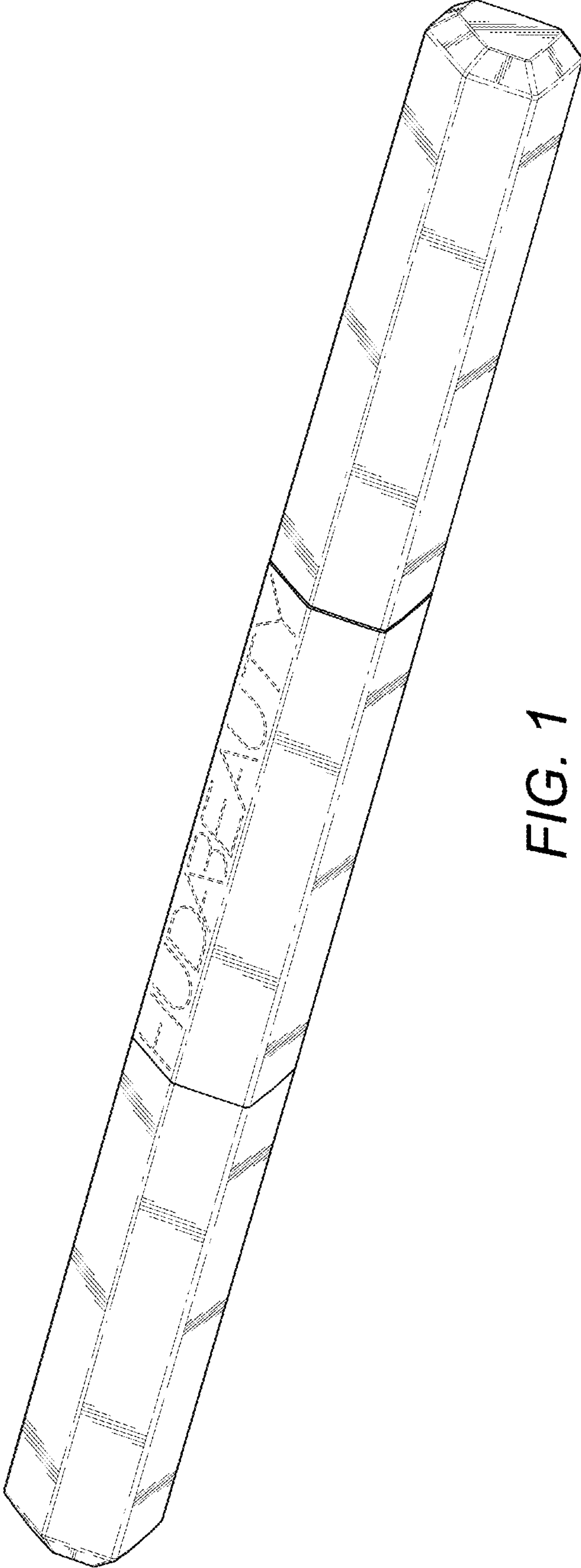


FIG. 1

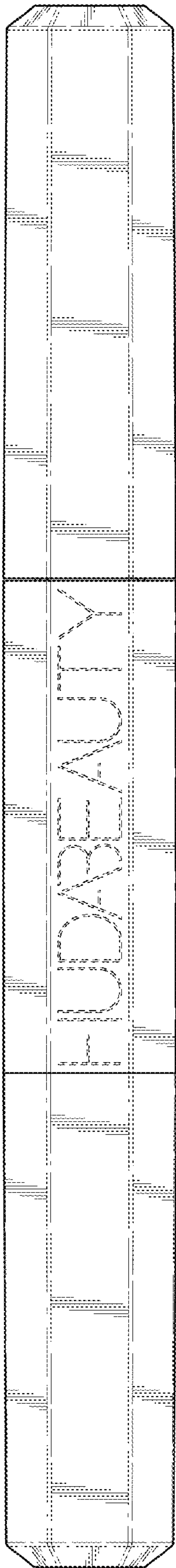


FIG. 2

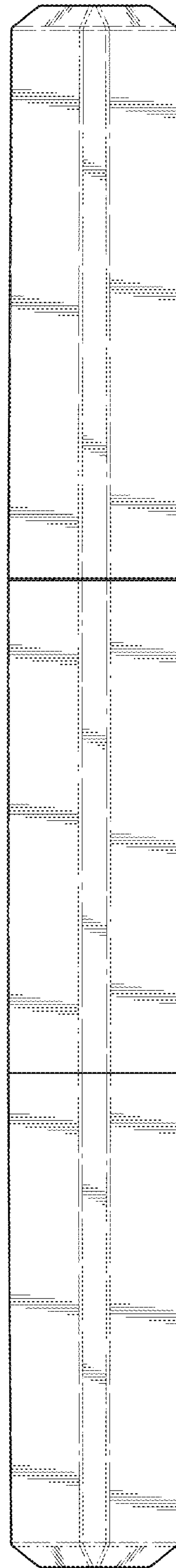


FIG. 3

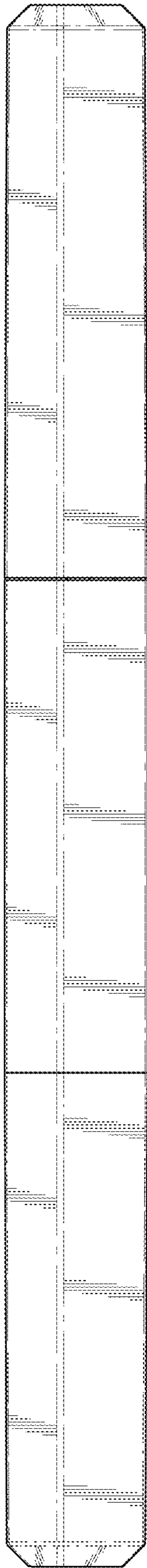


FIG. 4

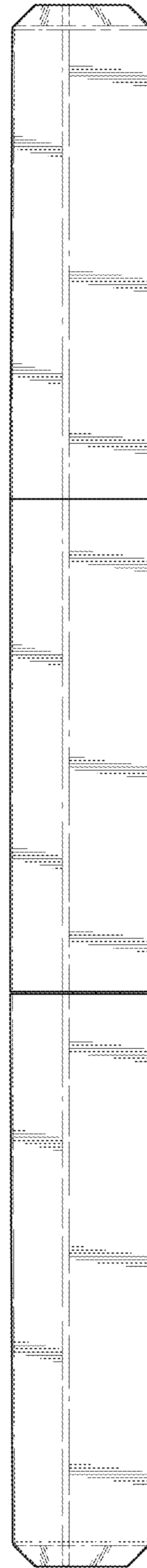


FIG. 5

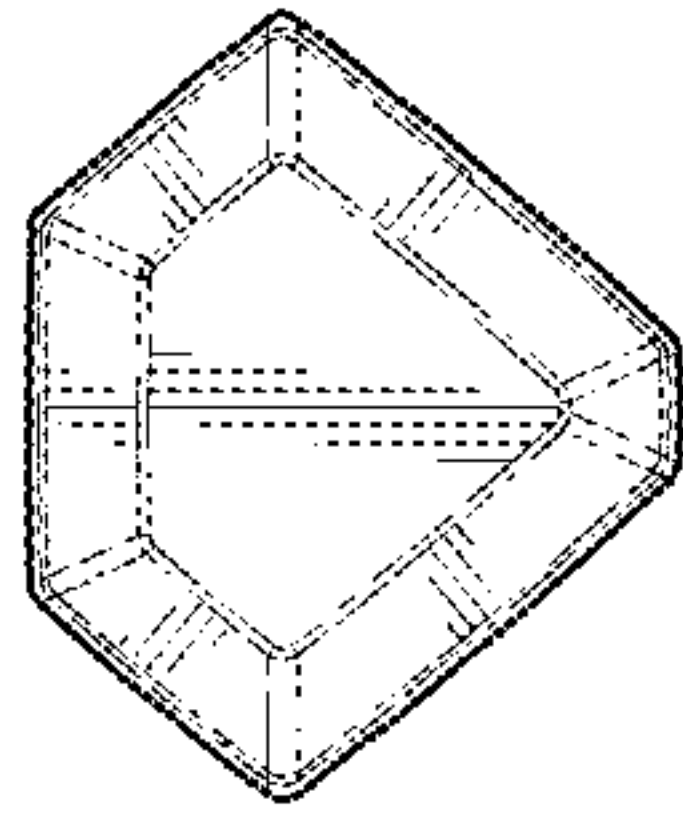


FIG. 7

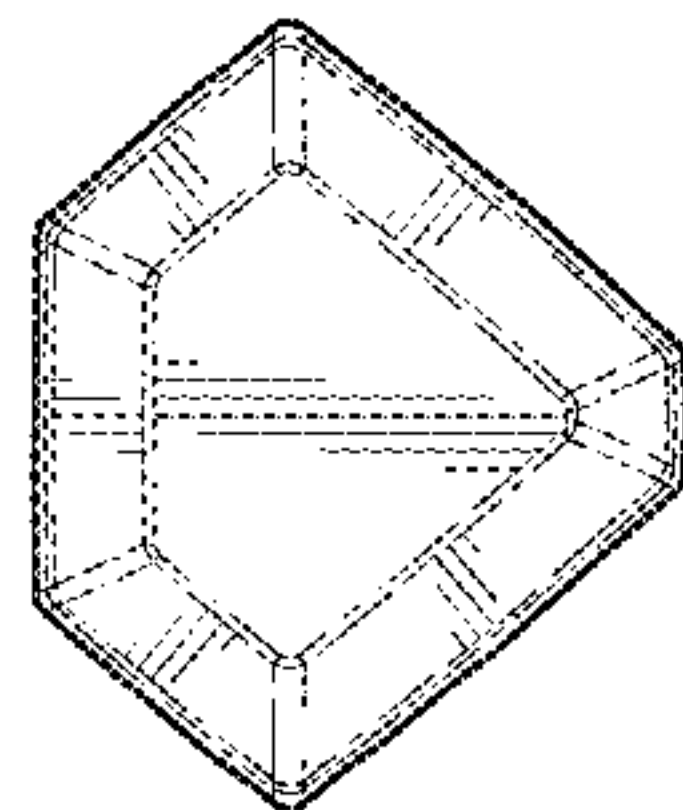


FIG. 6

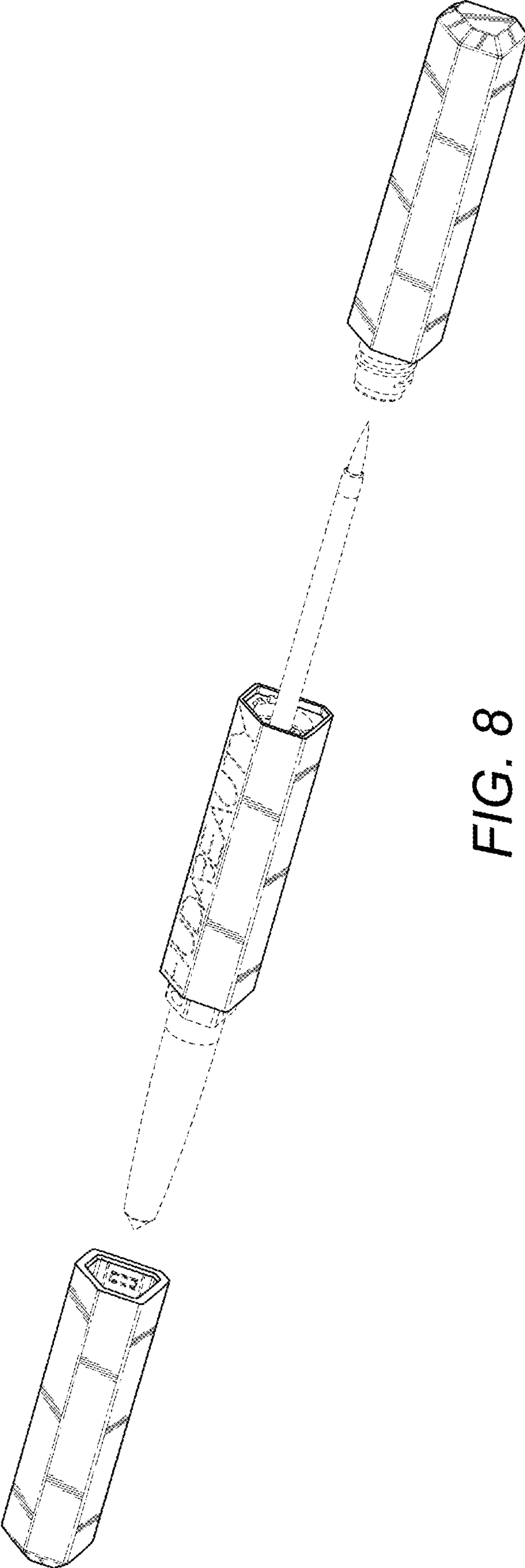


FIG. 8

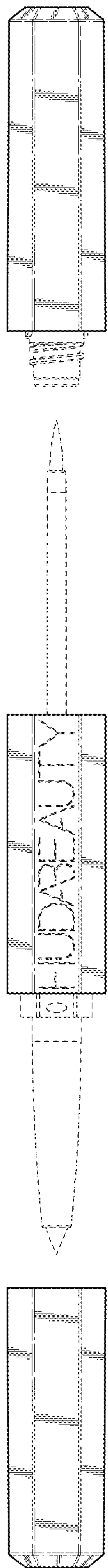


FIG. 9

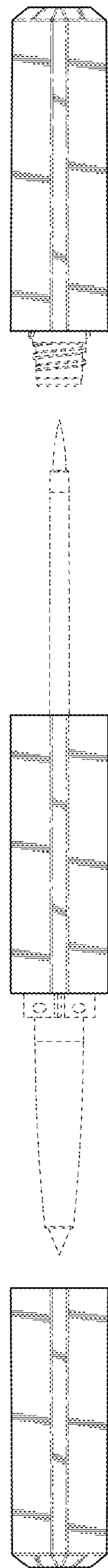


FIG. 10

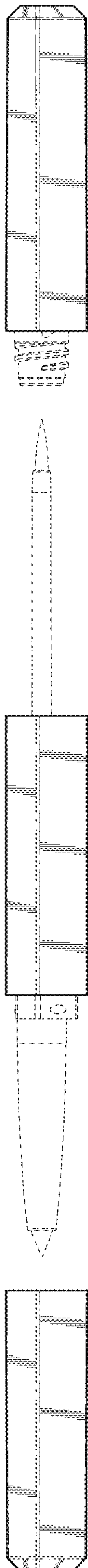


FIG. 11

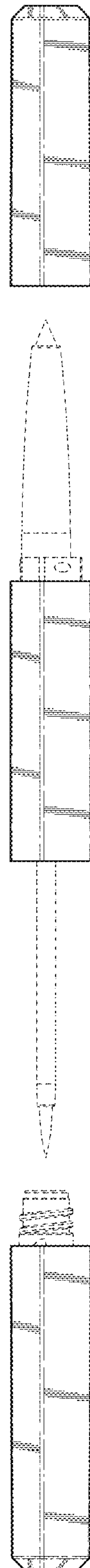


FIG. 12

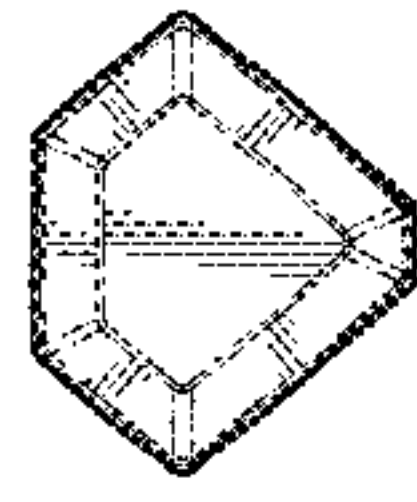


FIG. 14

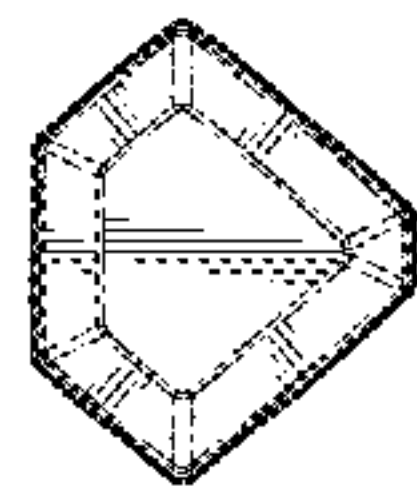


FIG. 13