



US00D951534S

(12) **United States Design Patent** (10) **Patent No.:** **US D951,534 S**  
**Liu et al.** (45) **Date of Patent:** **\*\* May 10, 2022**

(54) **ATOMIZER FOR AN ELECTRONIC CIGARETTE**

(71) Applicant: **Shenzhen Smoore Technology Limited**, Shenzhen (CN)

(72) Inventors: **Yu Liu**, Shenzhen (CN); **You Shi**, Shenzhen (CN)

(73) Assignee: **SHENZHEN SMOORE TECHNOLOGY LIMITED**, Shenzhen (CN)

(\*\*) Term: **15 Years**

(21) Appl. No.: **29/759,926**

(22) Filed: **Nov. 25, 2020**

**Related U.S. Application Data**

(62) Division of application No. 29/684,985, filed on Mar. 25, 2019, now Pat. No. Des. 923,867.

(30) **Foreign Application Priority Data**

Oct. 24, 2018 (CN) ..... 201830595151.5

(51) **LOC (13) Cl.** ..... **27-02**

(52) **U.S. Cl.**  
USPC ..... **D27/162**

(58) **Field of Classification Search**

USPC ..... D27/162, 100, 101, 163-165, 172, D27/174-176, 183, 185-194; D24/110, D24/110.5

CPC .... A24F 47/002; A24F 47/006; A24F 47/008; A61M 15/00; A61M 15/06

See application file for complete search history.

(56) **References Cited**

**U.S. PATENT DOCUMENTS**

D729,440 S \* 5/2015 Liu ..... D27/101  
D740,488 S \* 10/2015 Leidel ..... D27/167  
D771,307 S \* 11/2016 Wu ..... D27/101  
D811,652 S \* 2/2018 Liu ..... D27/167

(Continued)

**OTHER PUBLICATIONS**

Atomizer Mini Tank By: Vaporesso found on line (Dec. 13, 2021) <https://www.svapostore.net/en/atomizers/vaporesso-skrr-s-mini-tank-3-5ml> (Dec. 13, 2021).\*

(Continued)

*Primary Examiner* — Rebecca Tsehaye

(57) **CLAIM**

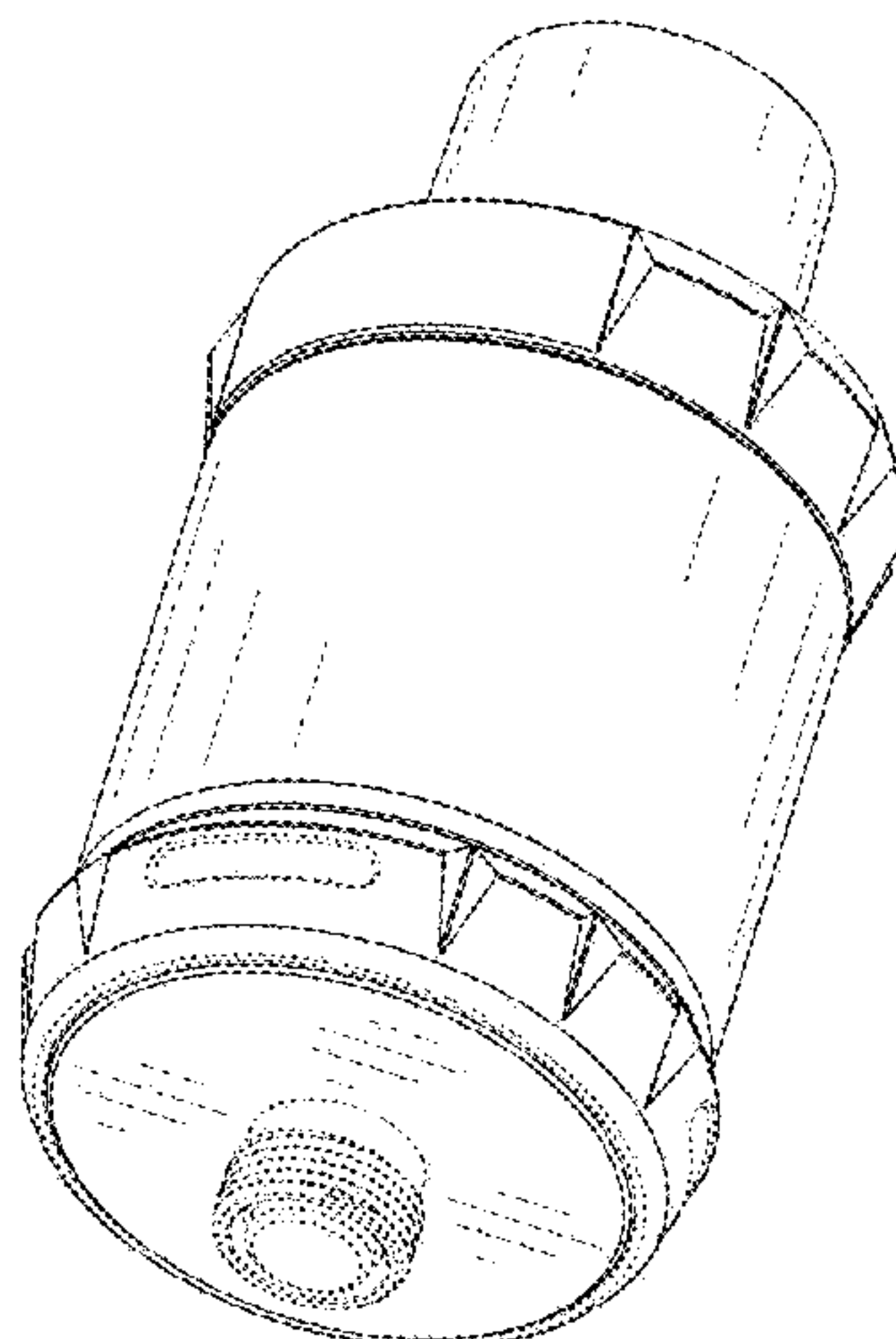
The ornamental design for an atomizer for an electronic cigarette, as shown and described.

**DESCRIPTION**

FIG. 1 is a perspective view of an atomizer for an electronic cigarette according to a first embodiment of our design; FIG. 2 is a front elevational view thereof; FIG. 3 is a rear elevational view thereof; FIG. 4 is a left side elevational view thereof; FIG. 5 is a right side elevational view thereof; FIG. 6 is a top plan view thereof; FIG. 7 is a bottom plan view thereof; FIG. 8 is a perspective view of an atomizer for an electronic cigarette according to a second embodiment of our design; FIG. 9 is a front elevational view thereof; FIG. 10 is a rear elevational view thereof; FIG. 11 is a left side elevational view thereof; FIG. 12 is a right side elevational view thereof; FIG. 13 is a top plan view thereof; and, FIG. 14 is a bottom plan view thereof.

The broken lines depict parts of the atomizer for an electronic cigarette that form no part of the claimed design. The oblique lines in the drawings show transparency.

**1 Claim, 14 Drawing Sheets**



(56)

**References Cited**

U.S. PATENT DOCUMENTS

D826,471	S	*	8/2018	Wang	.....	D27/167
D836,243	S	*	12/2018	Liu	.....	D27/167
D854,739	S	*	7/2019	Li	.....	D27/162
D861,978	S	*	10/2019	Lai	.....	D27/167
D881,456	S	*	4/2020	Chen	.....	D27/162
D883,567	S	*	5/2020	Liu	.....	D27/162
D900,387	S	*	10/2020	Liu	.....	D27/162
D917,778	S	*	4/2021	Liu	.....	D27/162
D920,572	S	*	5/2021	Liu	.....	D27/167
D921,285	S	*	6/2021	Liu	.....	D27/167
D923,867	S	*	6/2021	Liu	.....	D27/167
D926,358	S	*	7/2021	Liu	.....	D27/162
D926,360	S	*	7/2021	Liu	.....	D27/162
D926,365	S	*	7/2021	Liu	.....	D27/167
D928,397	S	*	8/2021	Liu	.....	D27/162
D932,097	S	*	9/2021	Liu	.....	D27/162
D934,490	S	*	10/2021	Shi	.....	D27/162
2014/0360514	A1	*	12/2014	Zhu	.....	A24F 40/42 131/329
2016/0295920	A1	*	10/2016	Liu	.....	A24F 40/485
2017/0013881	A1	*	1/2017	Liu	.....	H05B 3/12

OTHER PUBLICATIONS

Atomizer By: SMOK found on line (Dec. 13, 2021) <https://www.svapostore.net/en/atomizers/vapresso-skrr-s-mini-tank-3-5ml> (Dec. 13, 2021).\*

\* cited by examiner

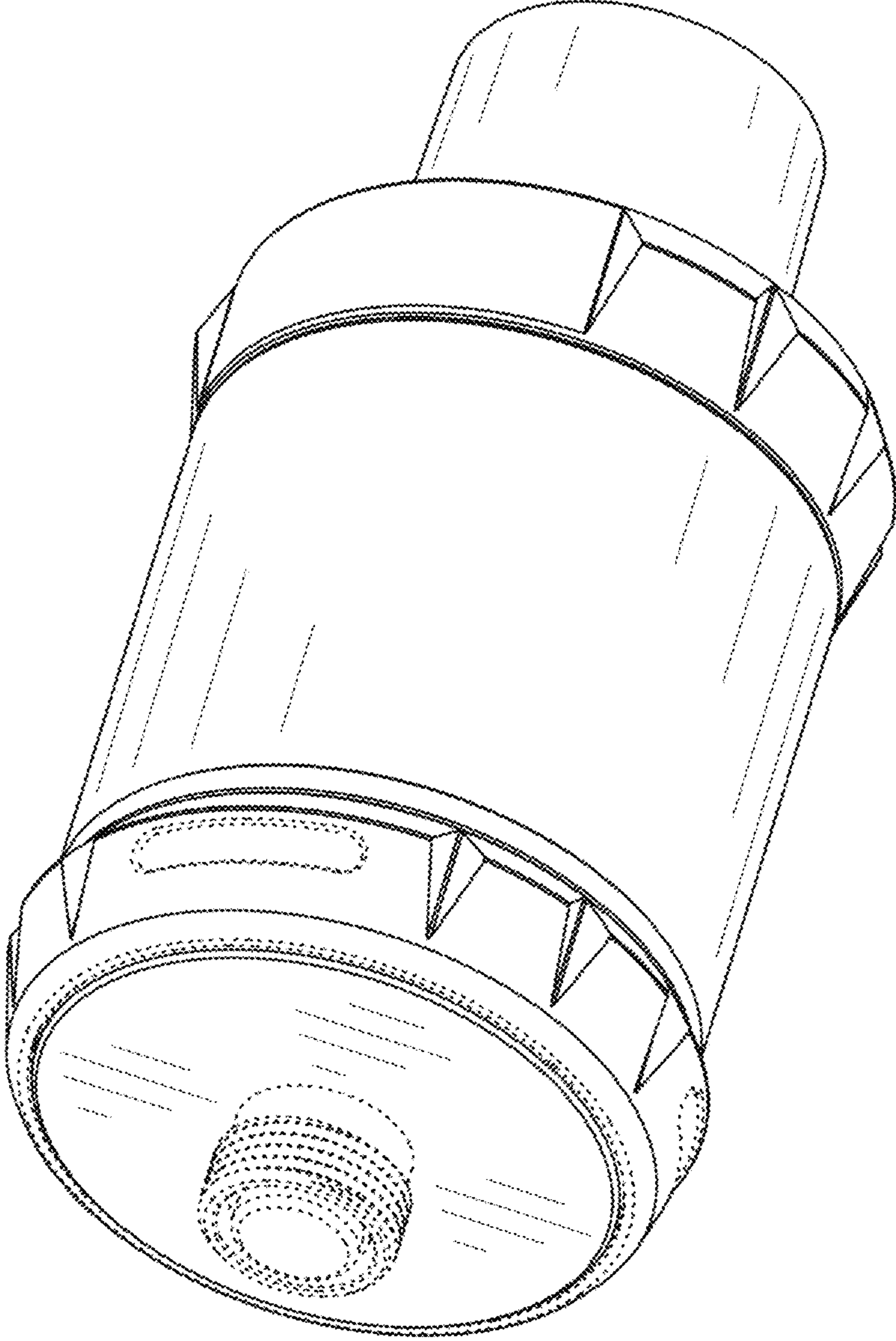


FIG.1

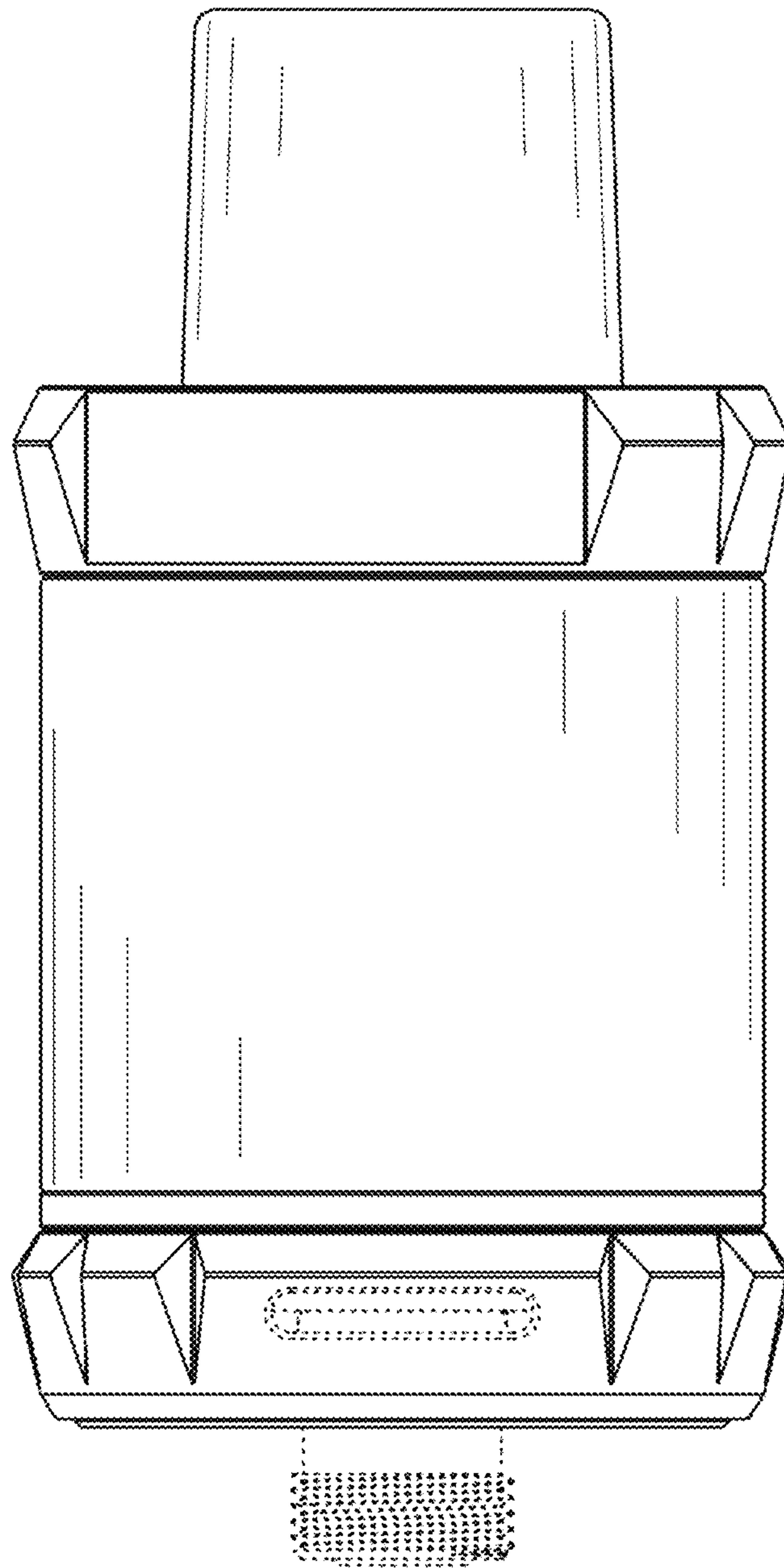


FIG.2

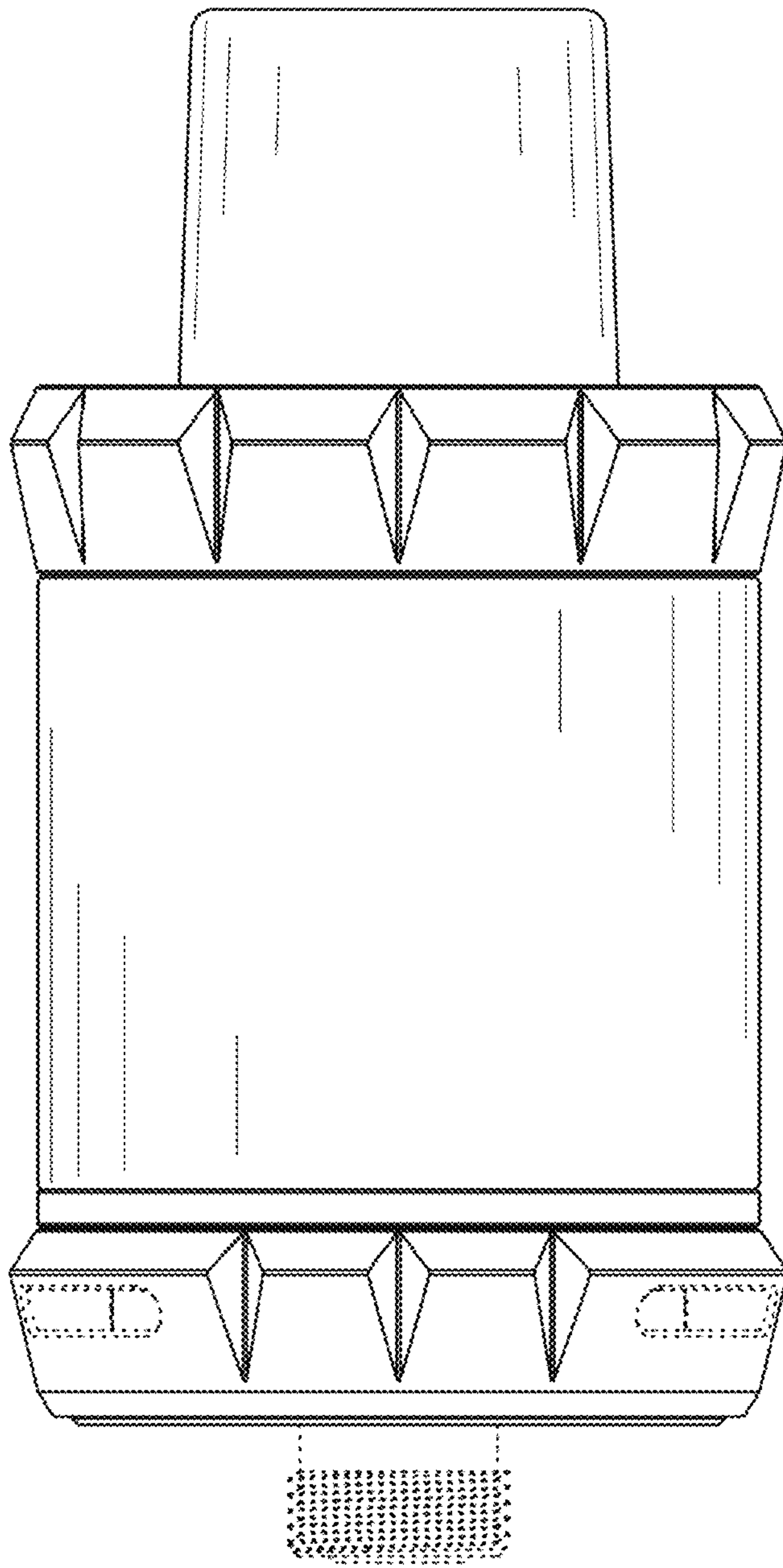


FIG.3



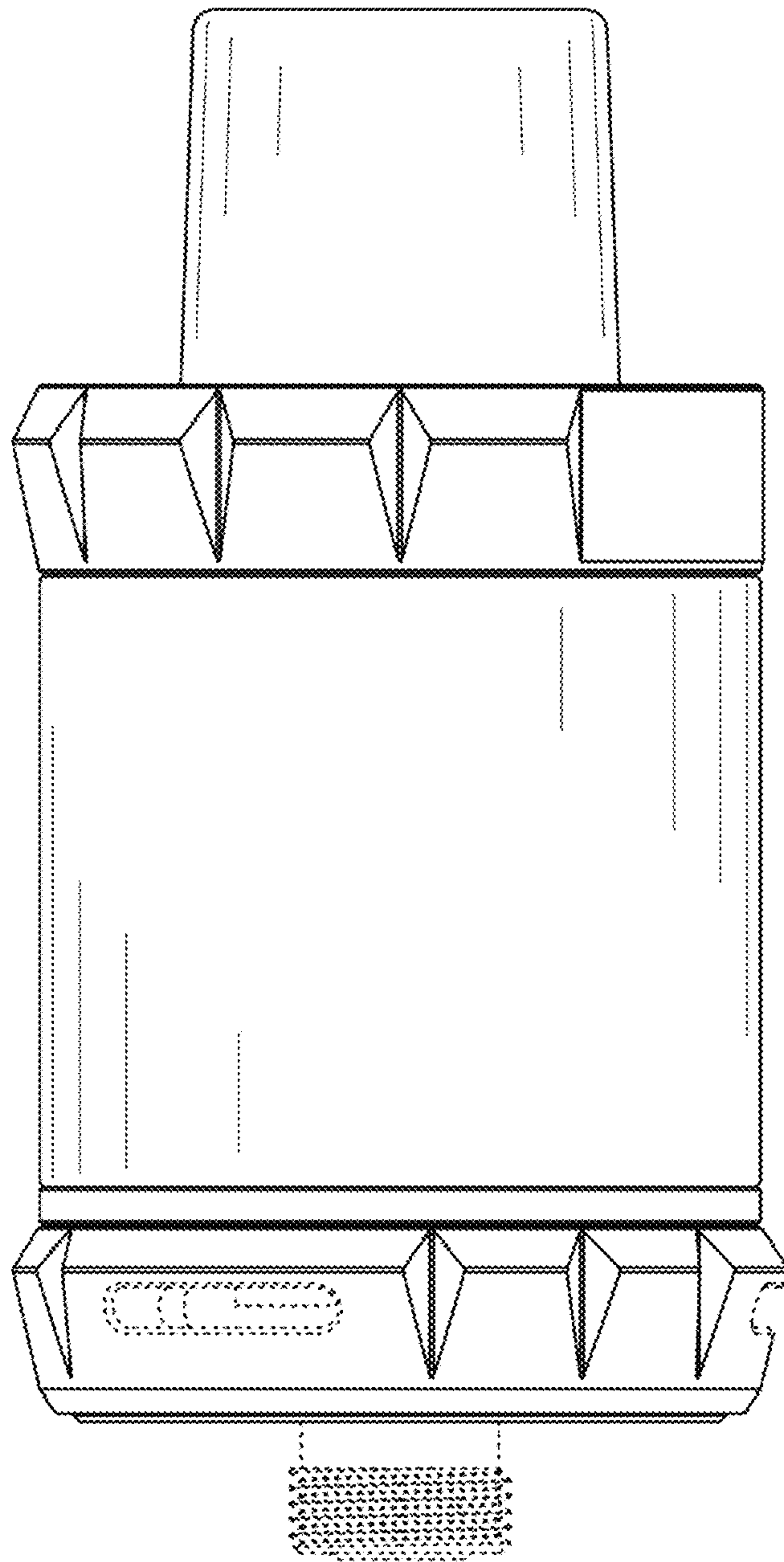


FIG.4

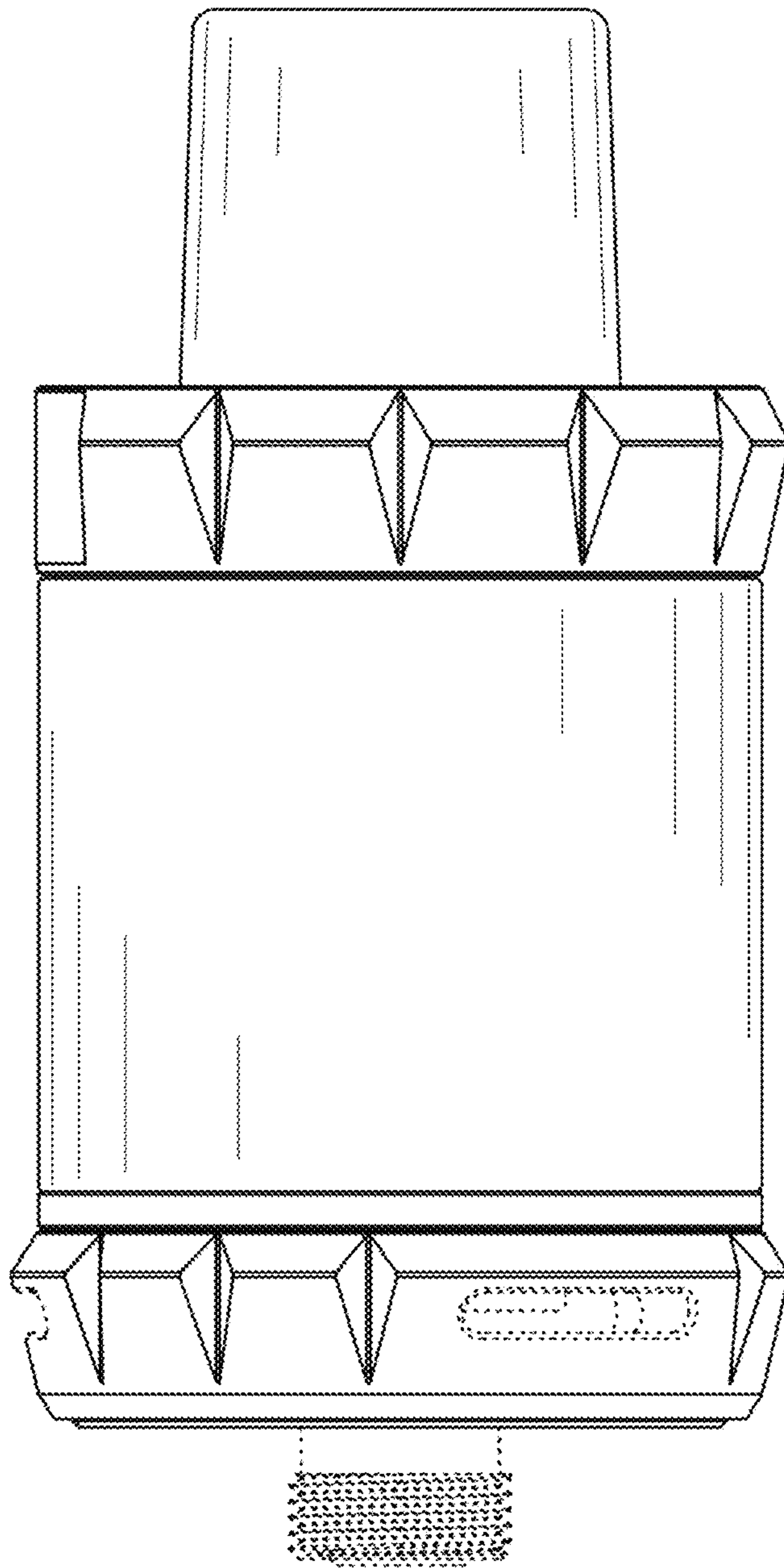


FIG.5

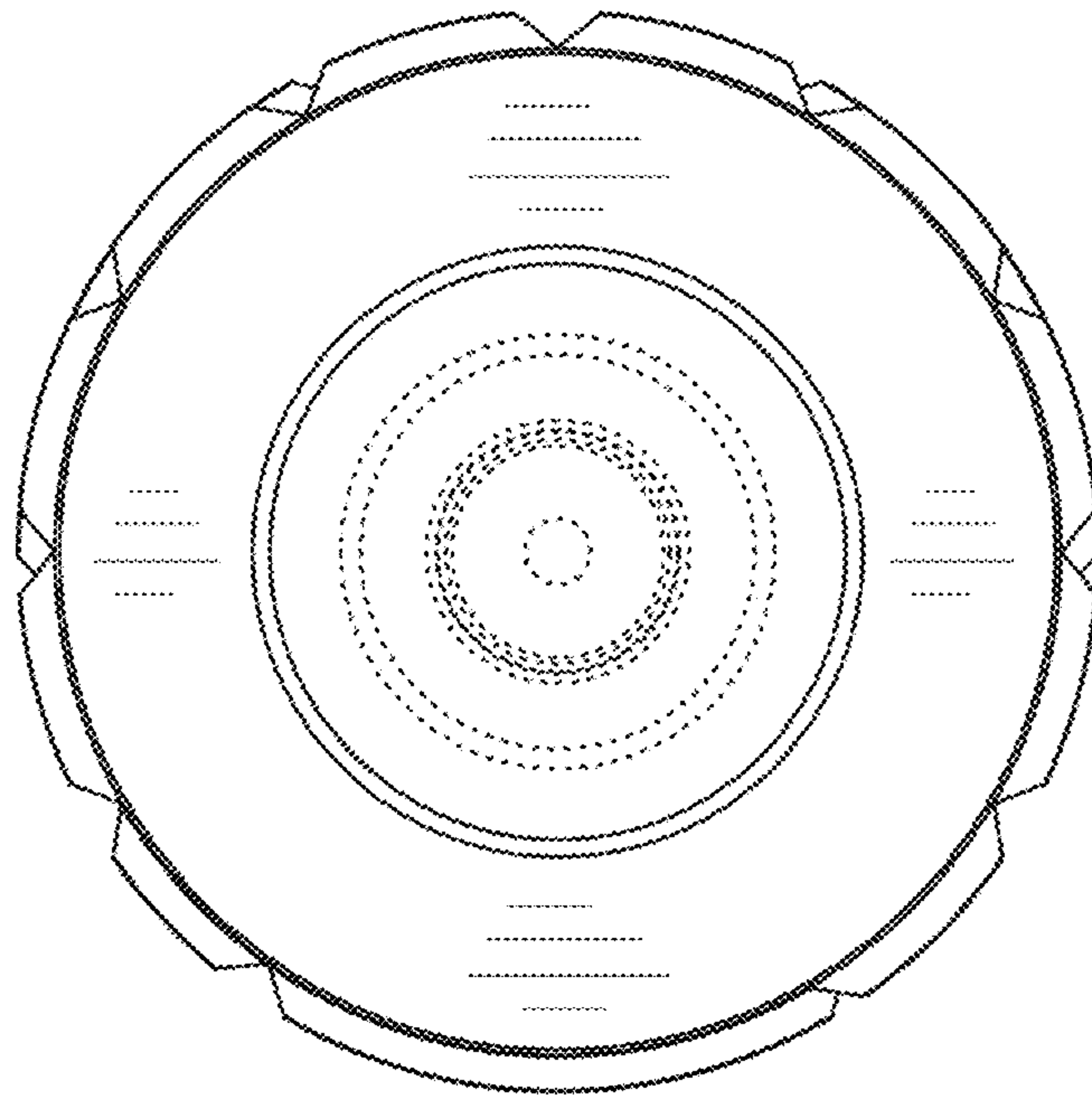


FIG.6



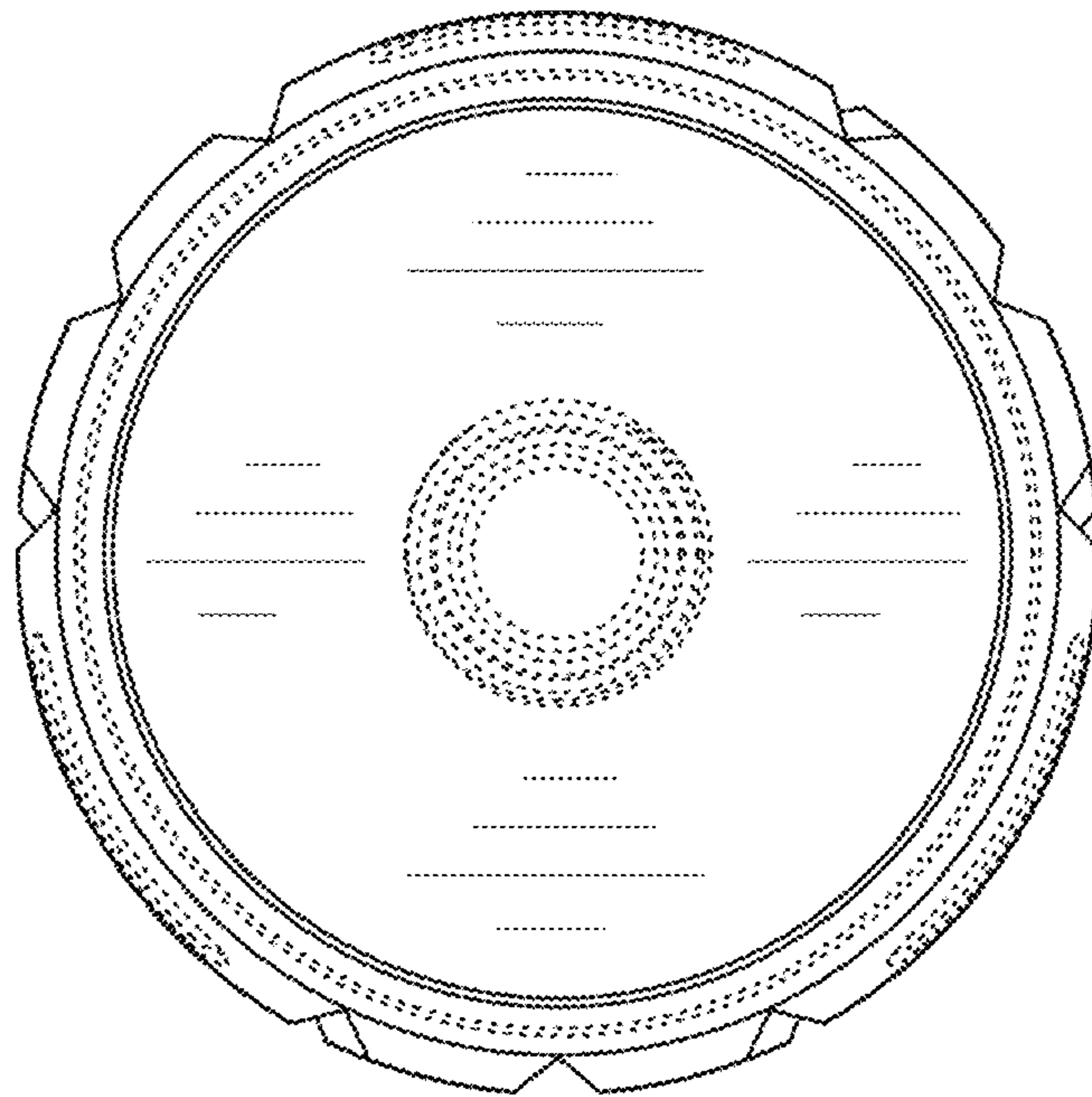


FIG.7

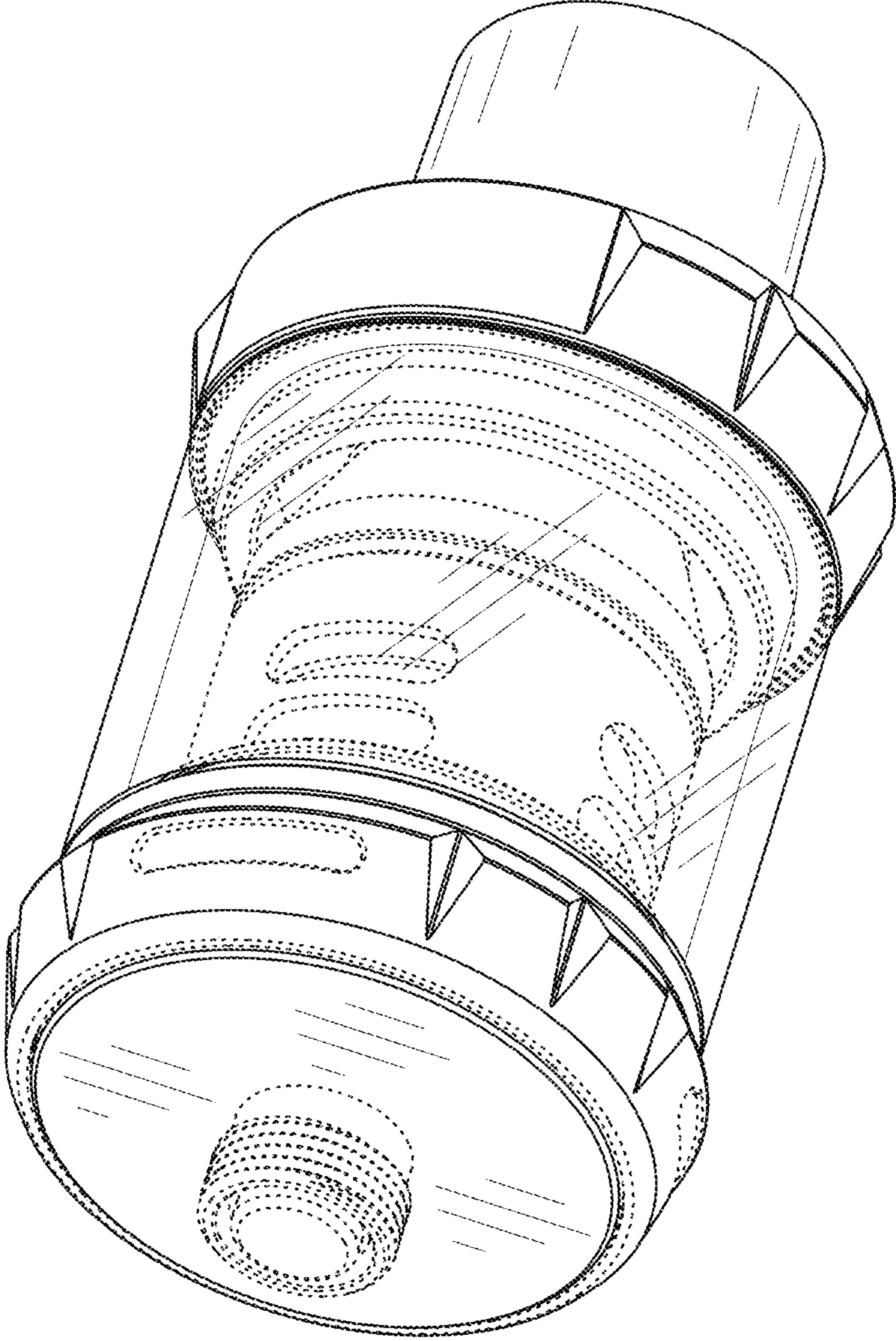


FIG.8

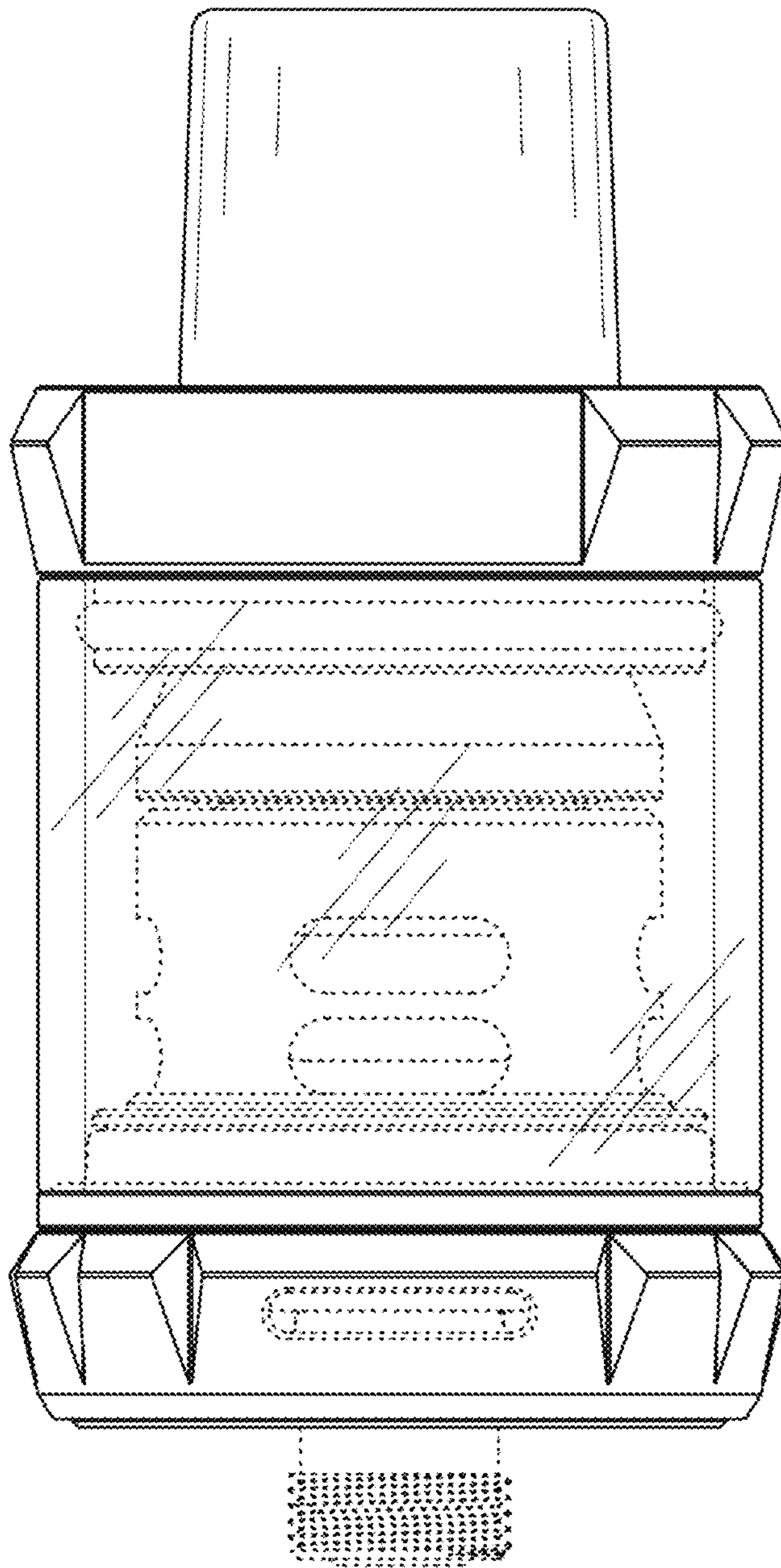


FIG.9

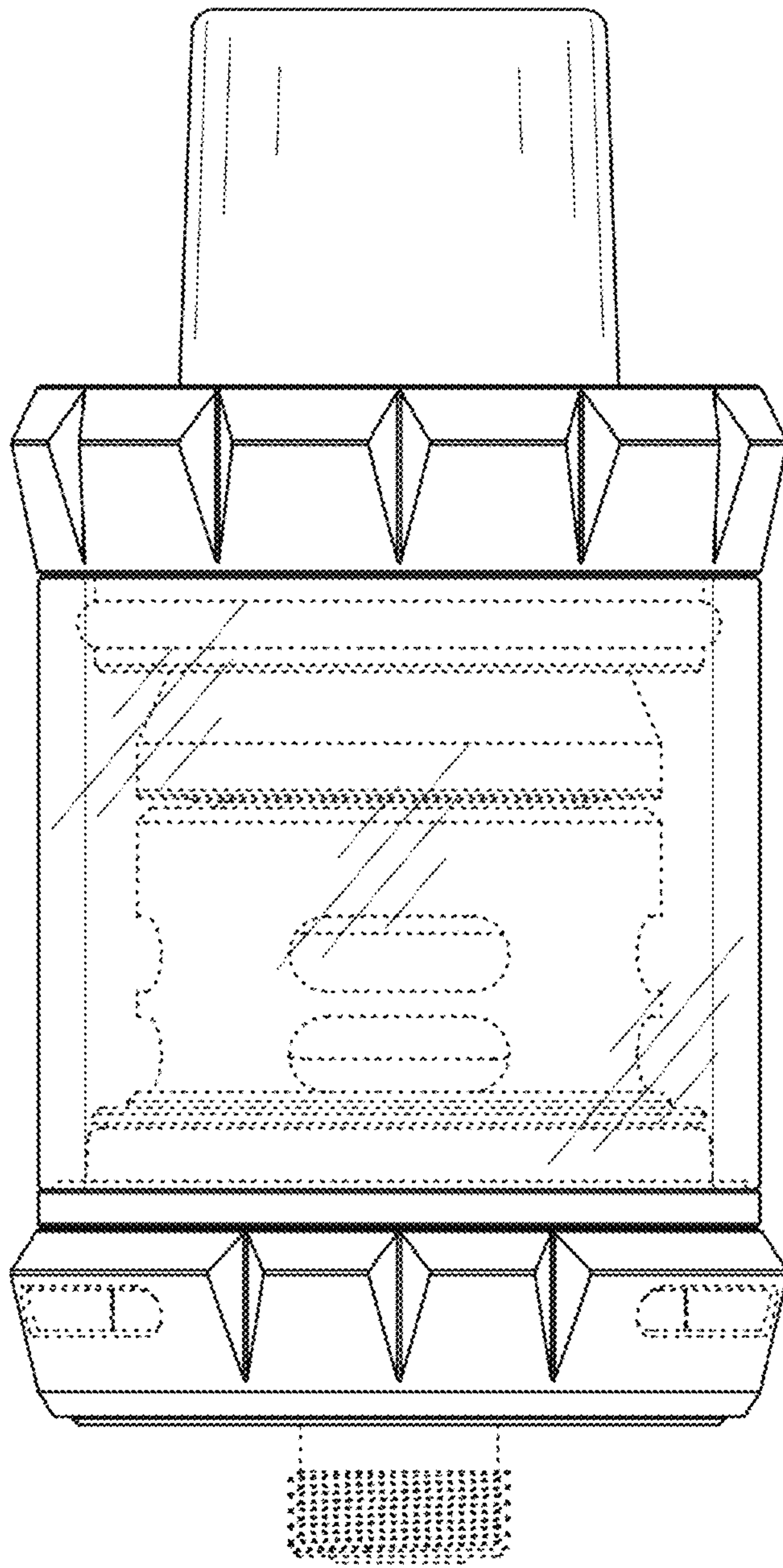


FIG.10



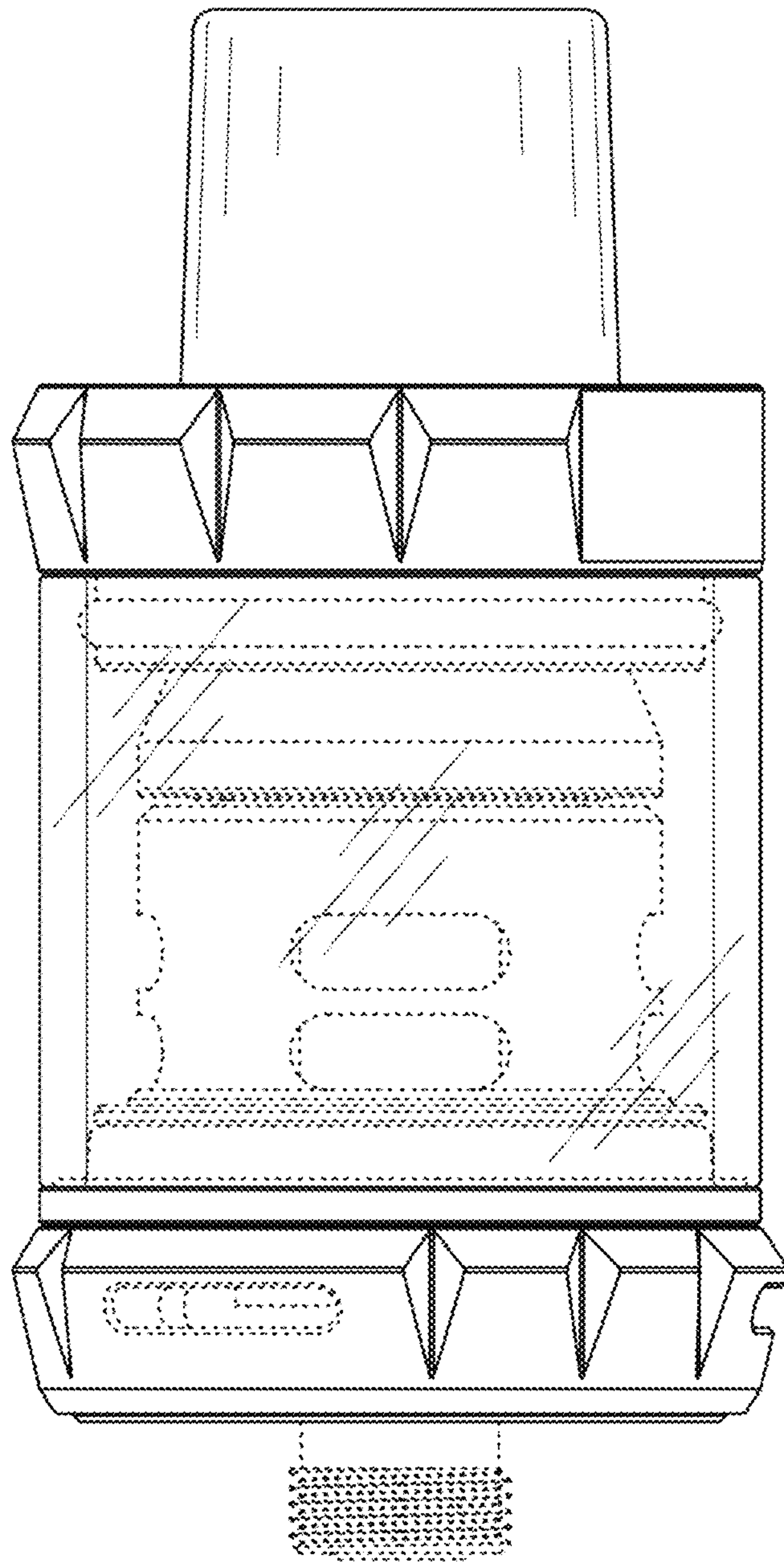


FIG.11



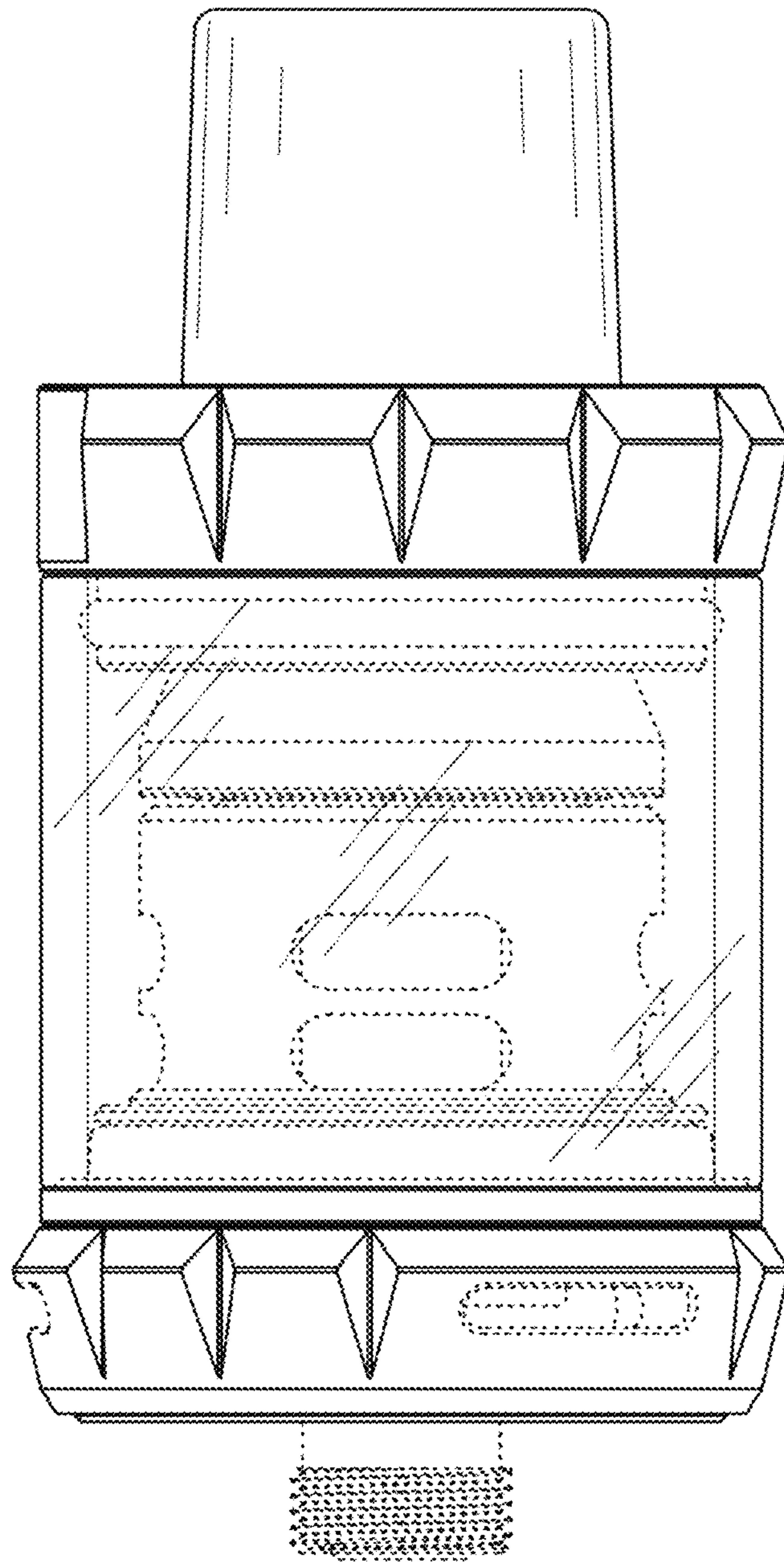


FIG.12

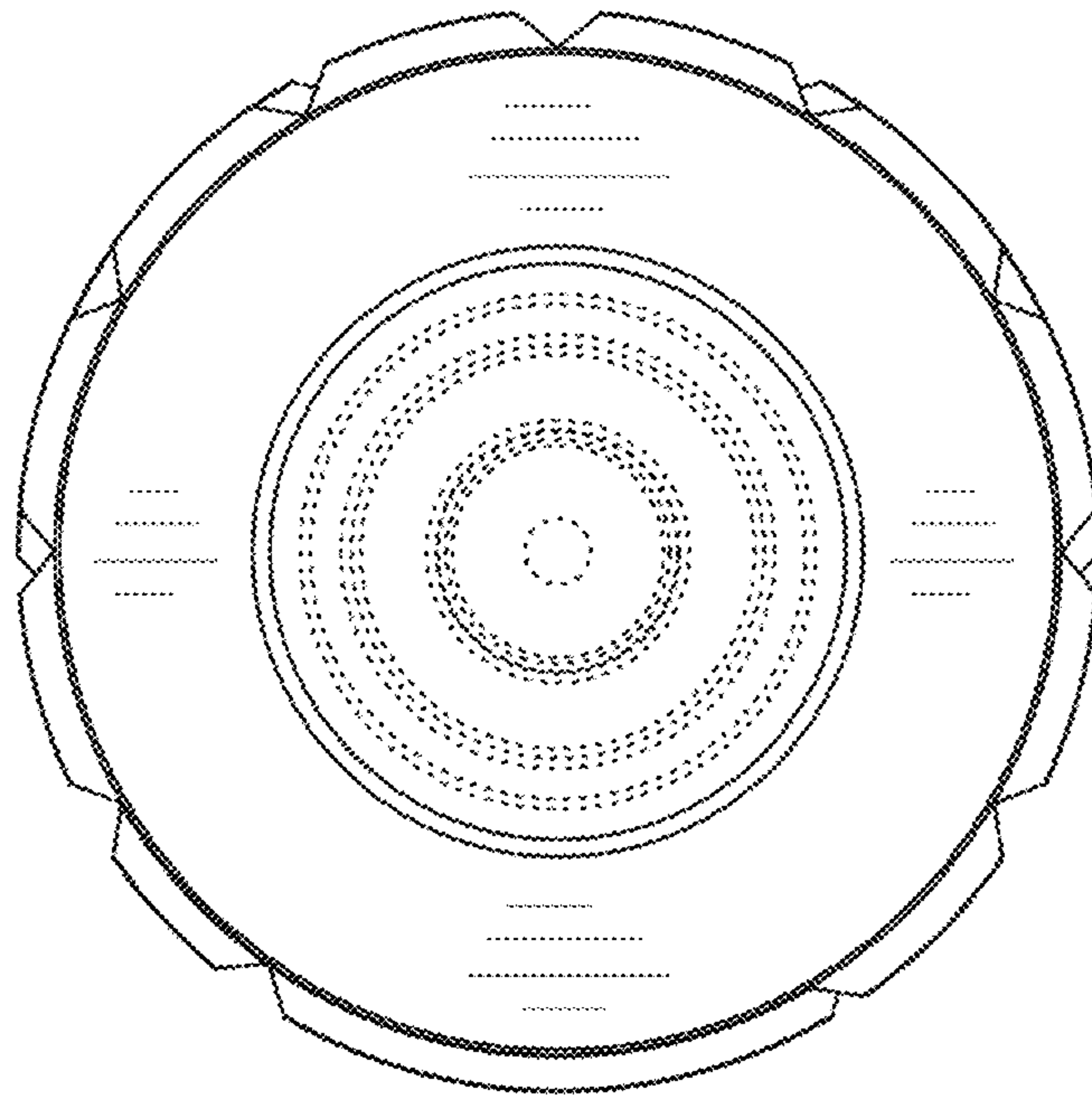


FIG. 13

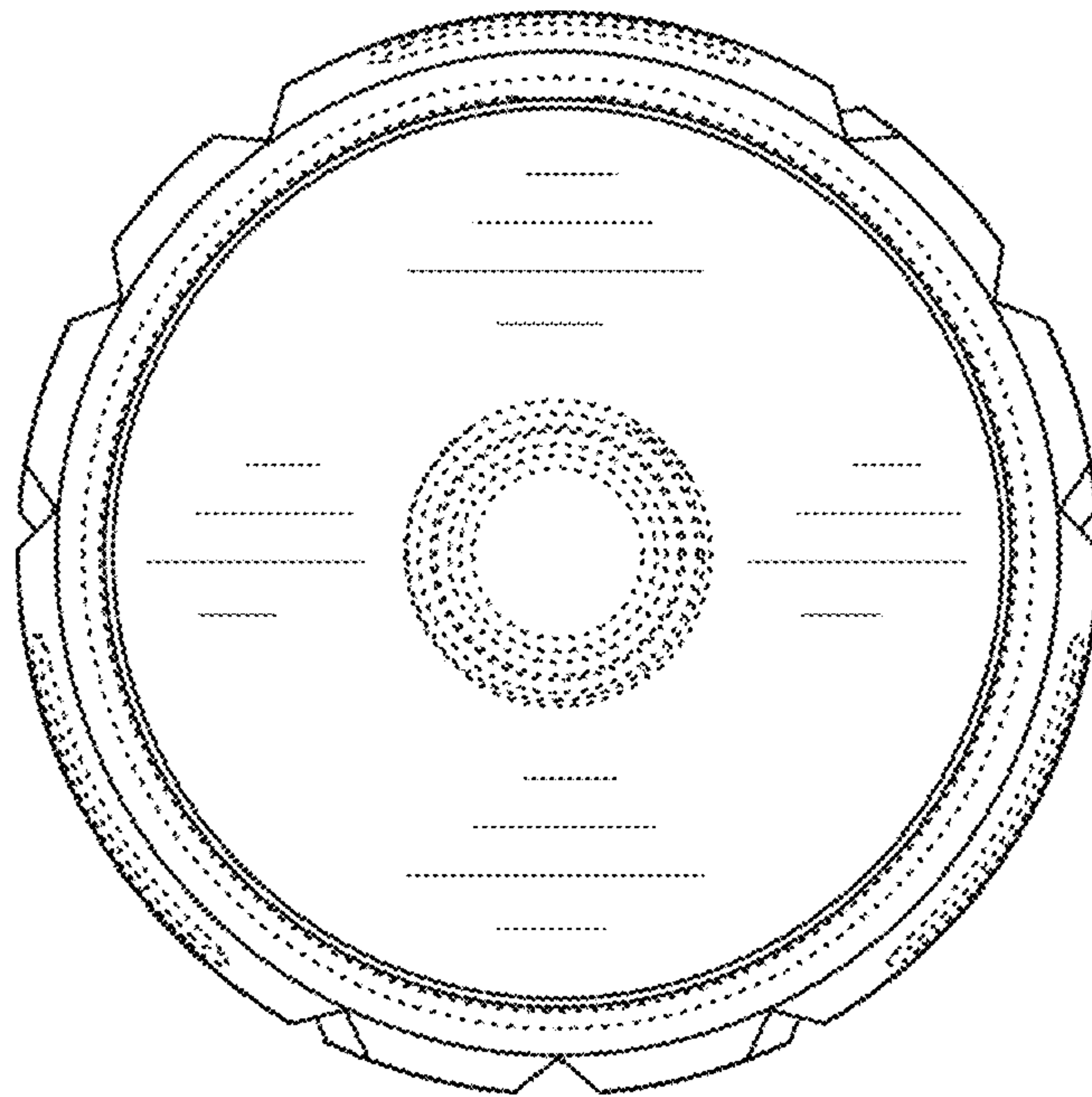


FIG.14