



US00D951533S

(12) **United States Design Patent** (10) **Patent No.:** **US D951,533 S**
Pan (45) **Date of Patent:** **** May 10, 2022**

(54) **ELECTRONIC CIGARETTE**

- (71) Applicant: **SHENZHEN SMOORE TECHNOLOGY LIMITED**, Guangdong (CN)
- (72) Inventor: **Weidong Pan**, Guangdong (CN)
- (73) Assignee: **SHENZHEN SMOORE TECHNOLOGY LIMITED**, Shenzhen (CN)
- (**) Term: **15 Years**
- (21) Appl. No.: **29/755,073**
- (22) Filed: **Oct. 16, 2020**

Related U.S. Application Data

- (63) Continuation of application No. 29/712,683, filed on Nov. 11, 2019, now Pat. No. Des. 907,290, which is (Continued)

(30) **Foreign Application Priority Data**

Dec. 6, 2017 (CN) 201730617167.7

- (51) **LOC (13) Cl.** **27-02**
- (52) **U.S. Cl.**
USPC **D27/162**
- (58) **Field of Classification Search**
USPC D27/162, 100, 101, 163–165, 172, 174, D27/183, 185–194; D24/110, 110.5; D23/360, 366
(Continued)

(56) **References Cited**

U.S. PATENT DOCUMENTS

- D829,371 S * 9/2018 Durand D27/101
 - D842,535 S * 3/2019 Kauss D27/101
- (Continued)

OTHER PUBLICATIONS

Protective Case and Sanitary Mouth Rest for JUUL Vaporizer By: JUUL found on Amazon (Dec. 10, 2021) <https://www.amazon.com/Protective-Case-Sanitary-Mouth-Vaporizer/dp/B07Y6VXPQM> (Nov. 7, 2019).*

Primary Examiner — Rebecca Tsehaye

(74) *Attorney, Agent, or Firm* — Ladas & Parry LLP

(57) **CLAIM**

The ornamental design for an electronic cigarette, as shown and described.

DESCRIPTION

FIG. 1 is a front elevational view of an electronic cigarette showing my new design presenting an unclaimed component;

FIG. 2 is a rear elevational view thereof;

FIG. 3 is a left side elevational view thereof;

FIG. 4 is a right side elevational view thereof;

FIG. 5 is a top plan view thereof;

FIG. 6 is a bottom plan view thereof;

FIG. 7 is a front, right, and bottom perspective view thereof;

FIG. 8 is a rear, left, and top perspective view thereof;

FIG. 9 is a front elevational view of the electronic cigarette showing my new design;

FIG. 10 is a rear elevational view thereof;

FIG. 11 is a left side elevational view thereof;

FIG. 12 is a right side elevational view thereof;

FIG. 13 is a top plan view thereof;

FIG. 14 is a bottom plan view thereof;

FIG. 15 is a front, right, and bottom perspective view thereof;

FIG. 16 is a rear, left, and top perspective view thereof;

FIG. 17 is a front elevational view of the electronic cigarette showing my new design incorporating an unclaimed component;

FIG. 18 is a rear elevational view thereof;

FIG. 19 is a left side elevational view thereof;

FIG. 20 is a right side elevational view thereof;

FIG. 21 is a top plan view thereof;

FIG. 22 is a bottom plan view thereof;

(Continued)

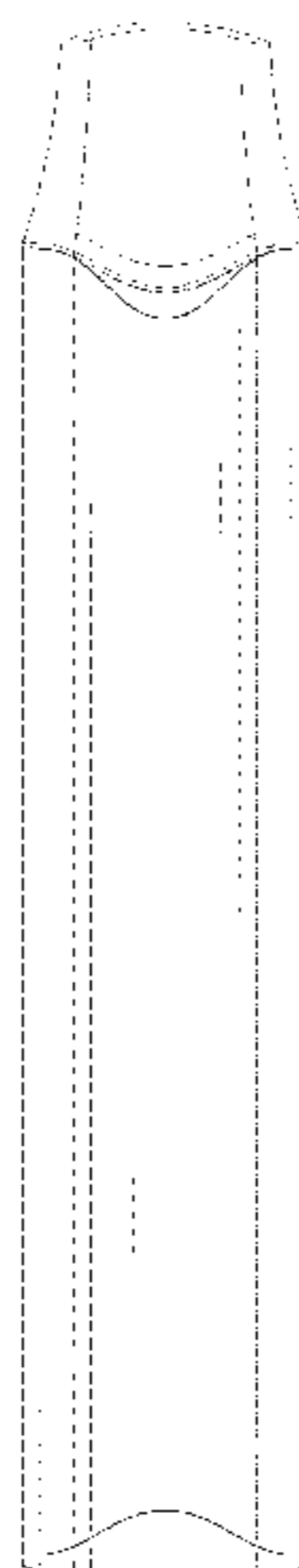


FIG. 23 is a front, right, and bottom perspective view thereof; and, (56)
FIG. 24 is a rear, left, and top perspective view thereof.
The broken lines in the drawings depict portions of the electronic cigarette that form no part of the claimed design.

1 Claim, 24 Drawing Sheets

Related U.S. Application Data

a continuation of application No. 29/646,040, filed on May 1, 2018, now Pat. No. Des. 875,302.

(58) **Field of Classification Search**

CPC A24F 47/002; A24F 47/006; A24F 47/008;
A61M 15/00; A61M 15/06

See application file for complete search history.

References Cited

U.S. PATENT DOCUMENTS

D861,239	S	*	9/2019	Chen	D27/101
D865,276	S	*	10/2019	Pino	D27/162
D870,964	S	*	12/2019	Lee	D27/194
D875,302	S	*	2/2020	Pan	D27/162
D889,737	S	*	7/2020	Vora	D27/162
D909,667	S	*	2/2021	Chen	D27/162
D909,668	S	*	2/2021	Chen	D27/162
D910,232	S	*	2/2021	Kauss	D27/162
D913,579	S	*	3/2021	Bowen	D27/162
D914,277	S	*	3/2021	Han	D27/162
D914,279	S	*	3/2021	Jones	D27/162
D921,283	S	*	6/2021	Laidlaw	D27/162
D932,686	S	*	10/2021	Chen	D27/162
D936,895	S	*	11/2021	Chen	D27/162

* cited by examiner

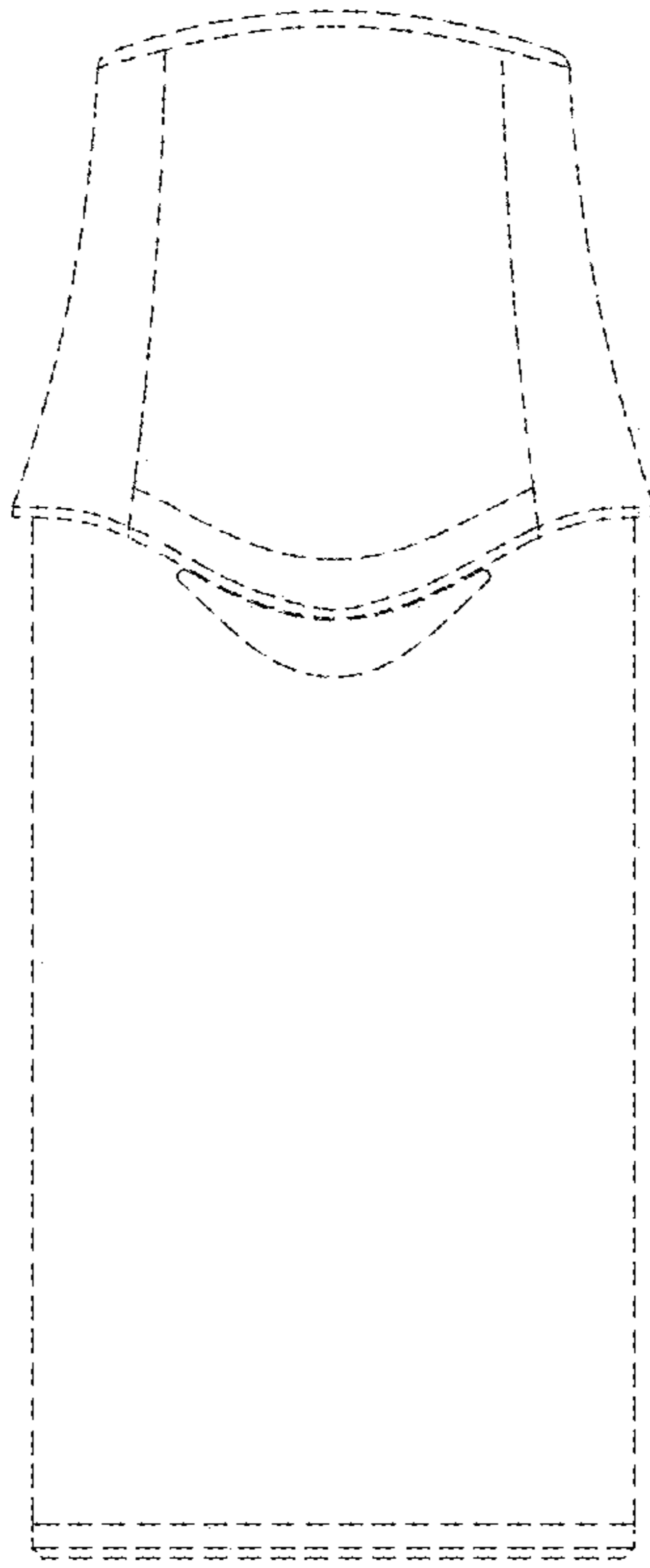


FIG. 1

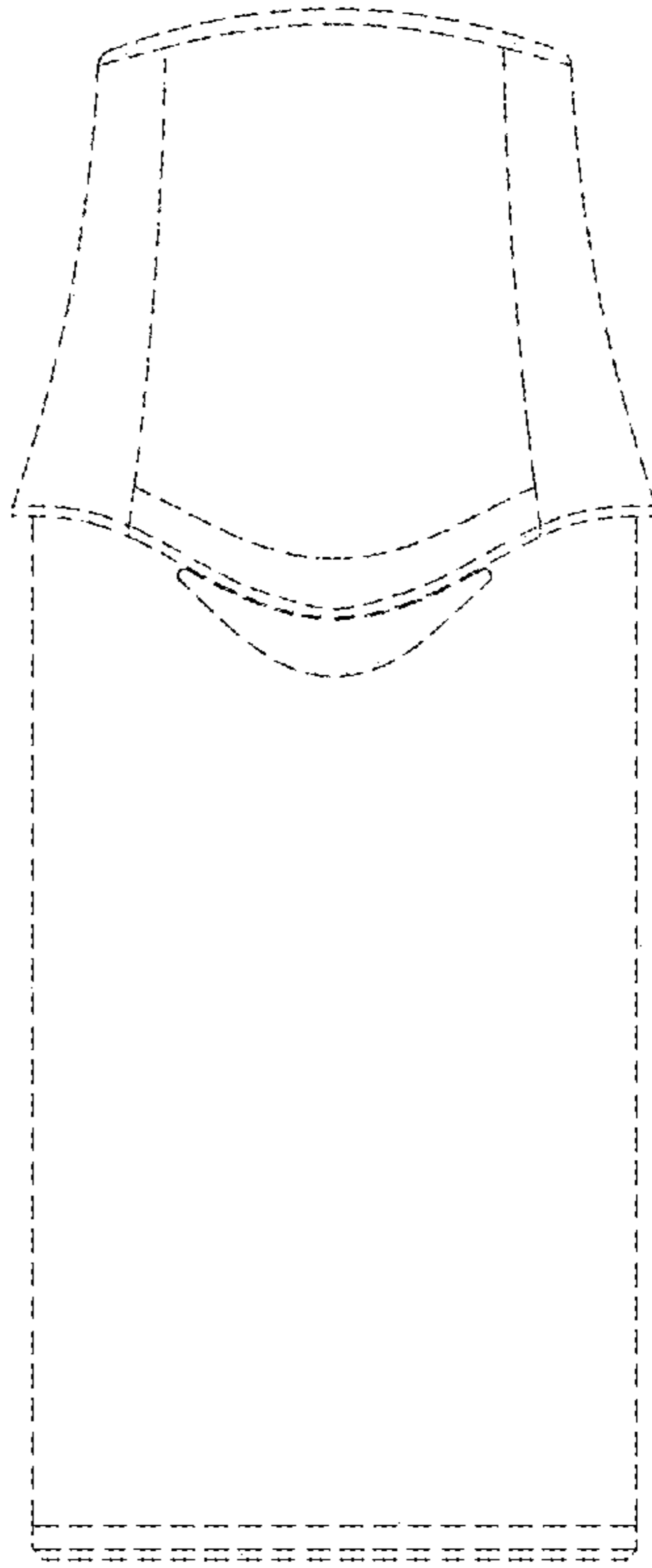


FIG. 2

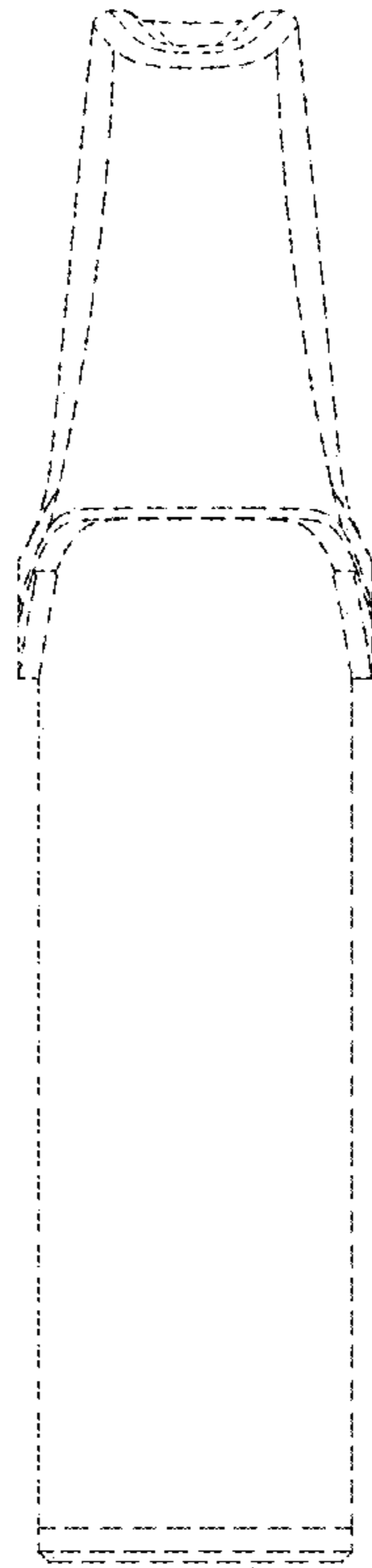


FIG. 3

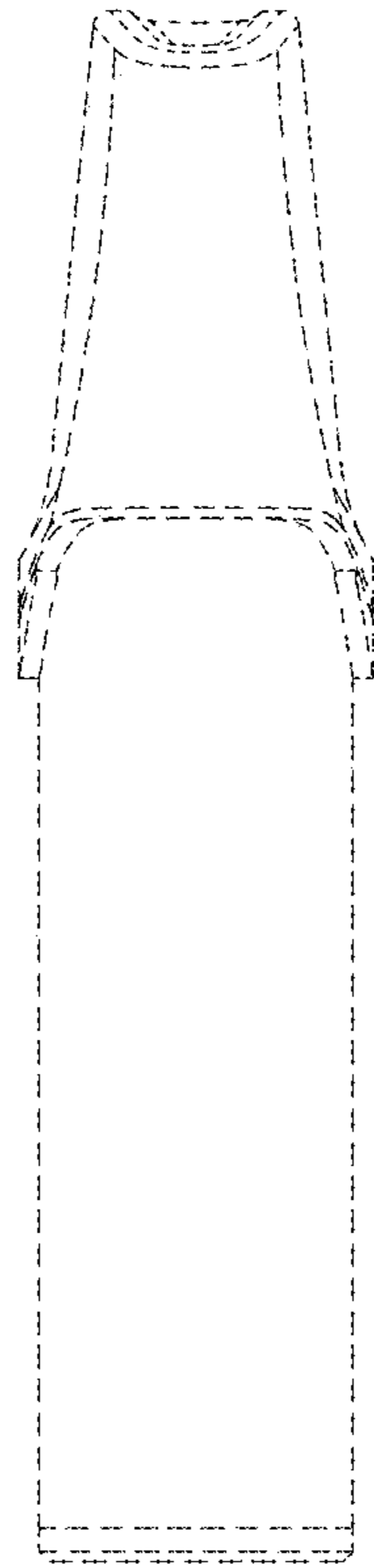


FIG. 4

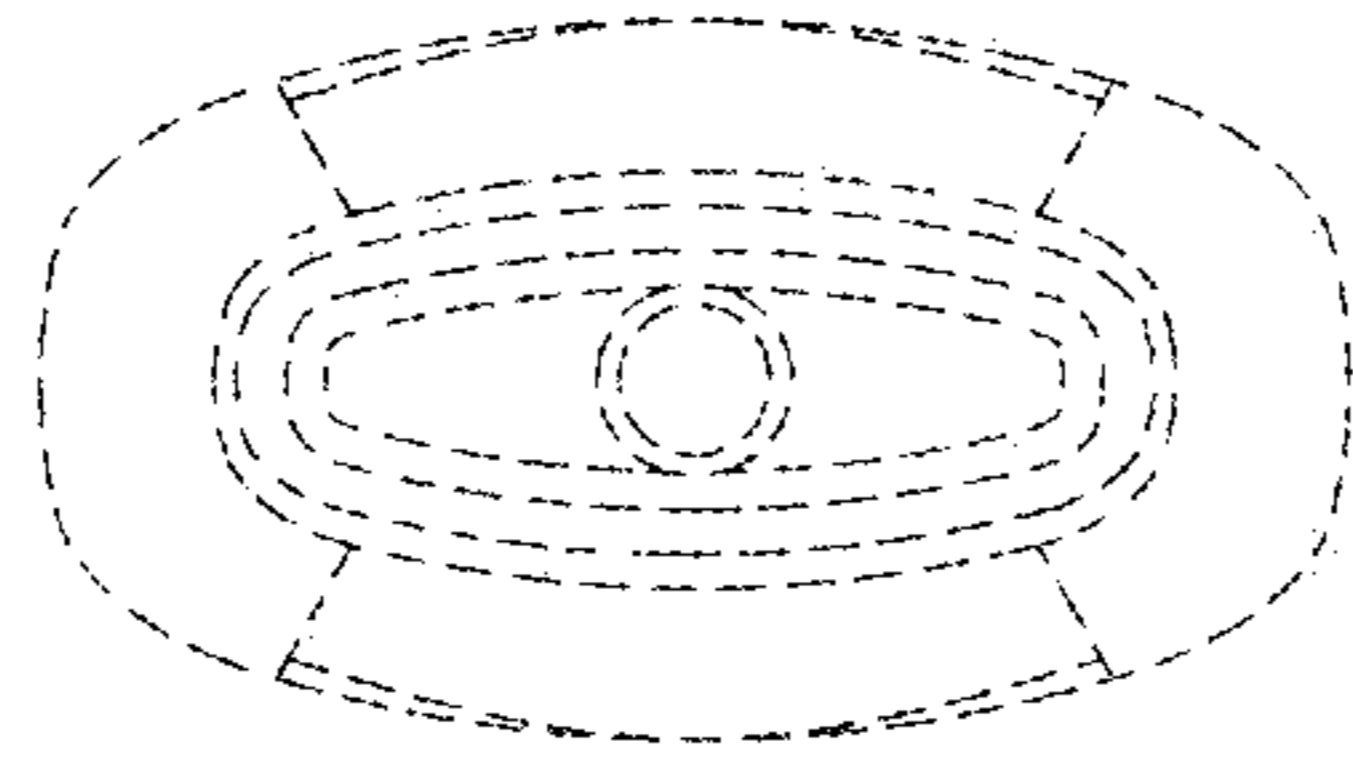


FIG. 5

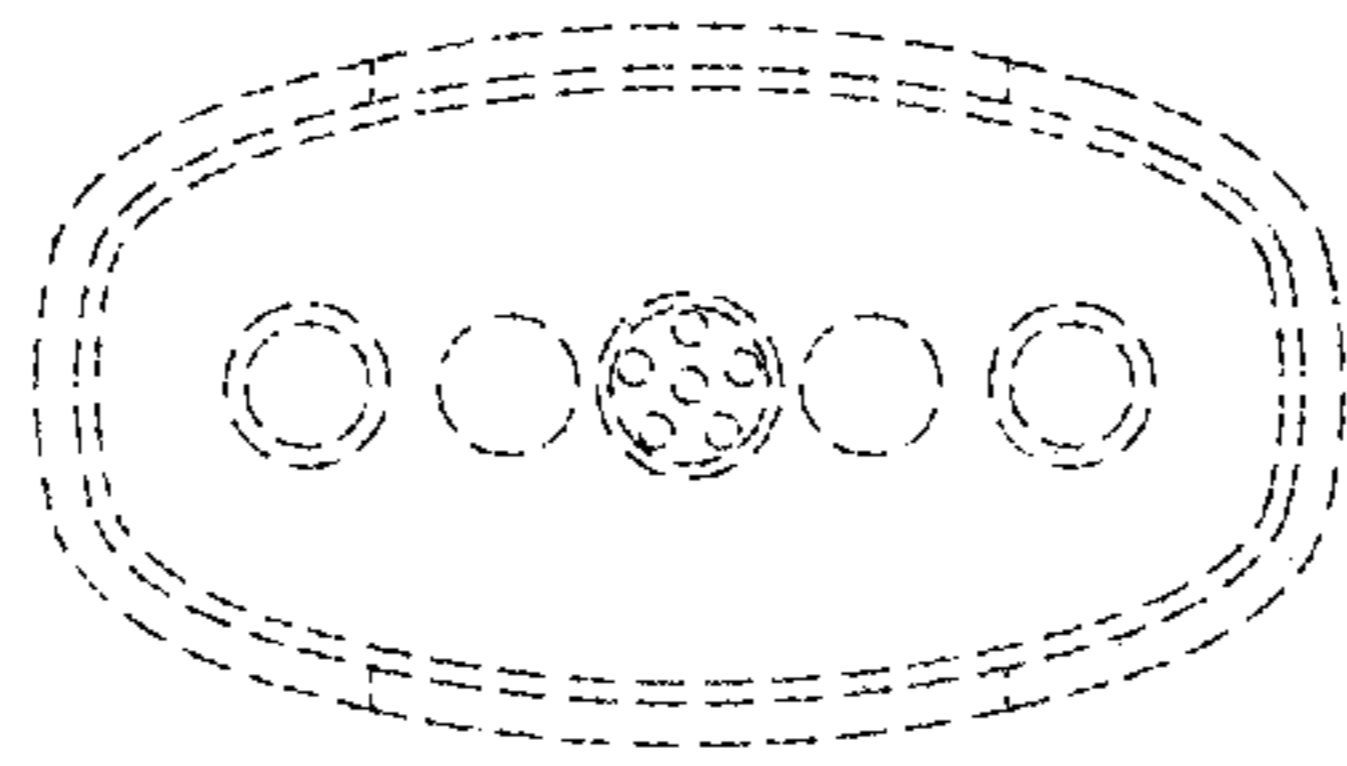


FIG. 6

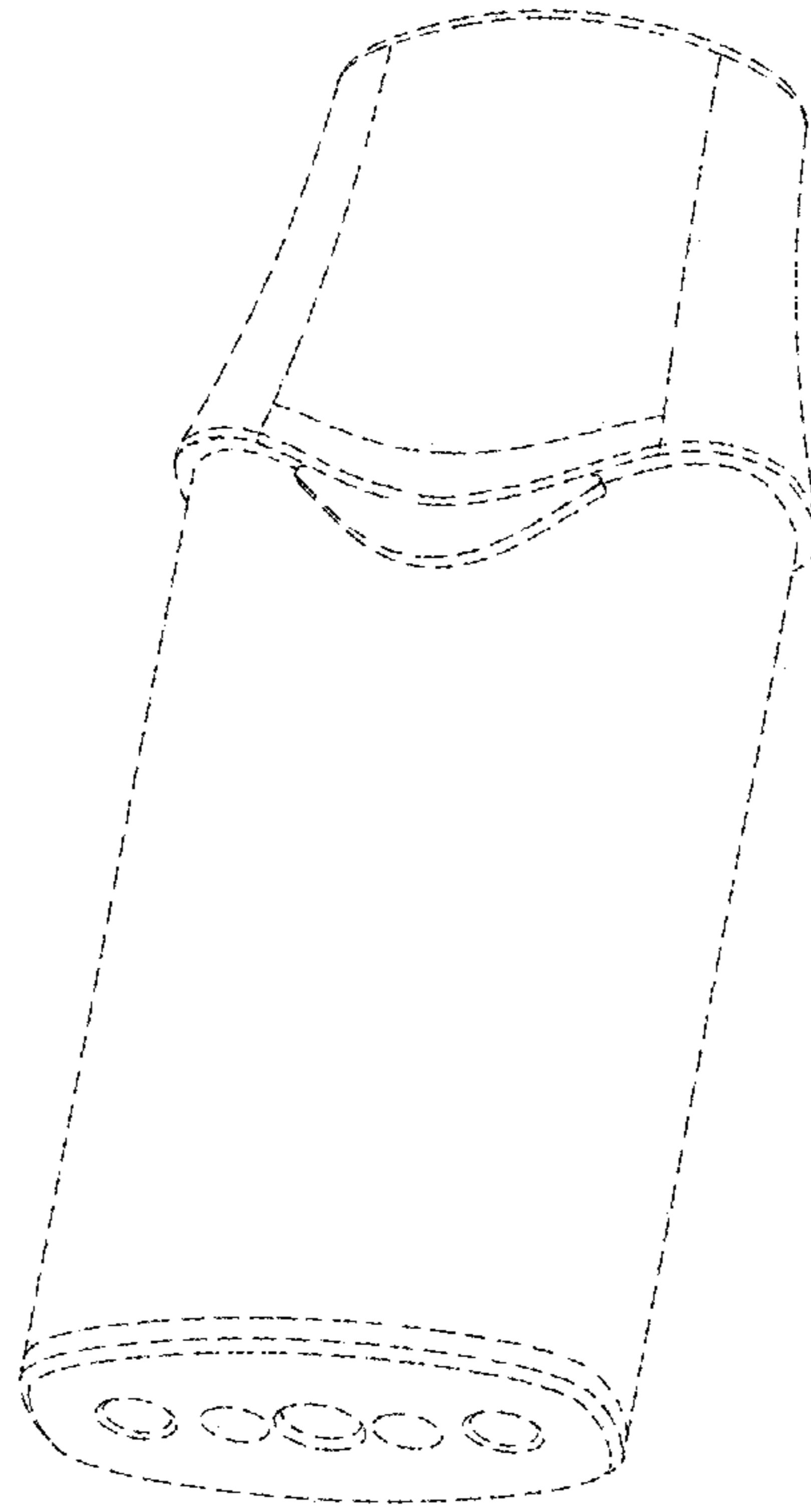


FIG. 7

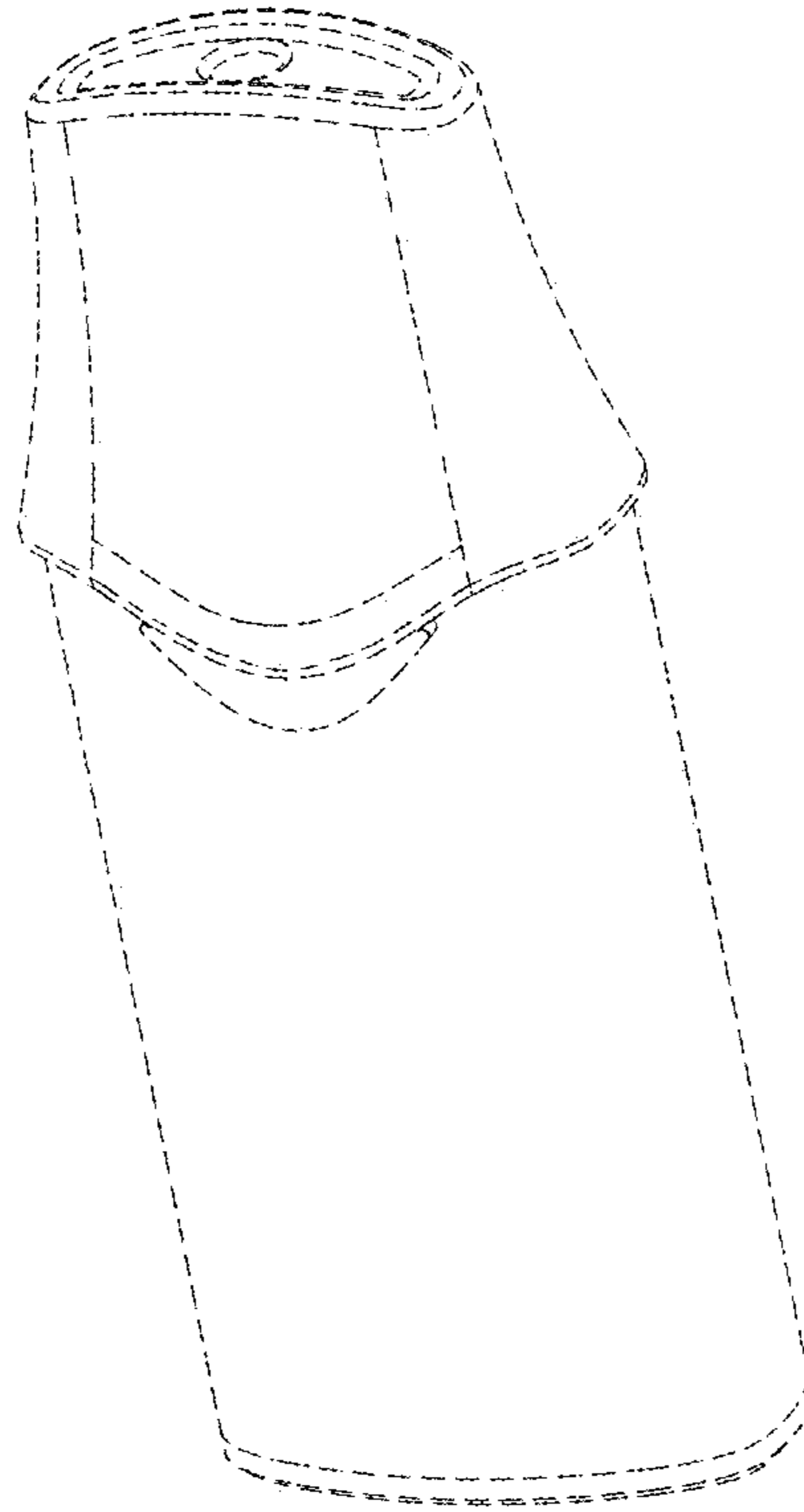


FIG. 8

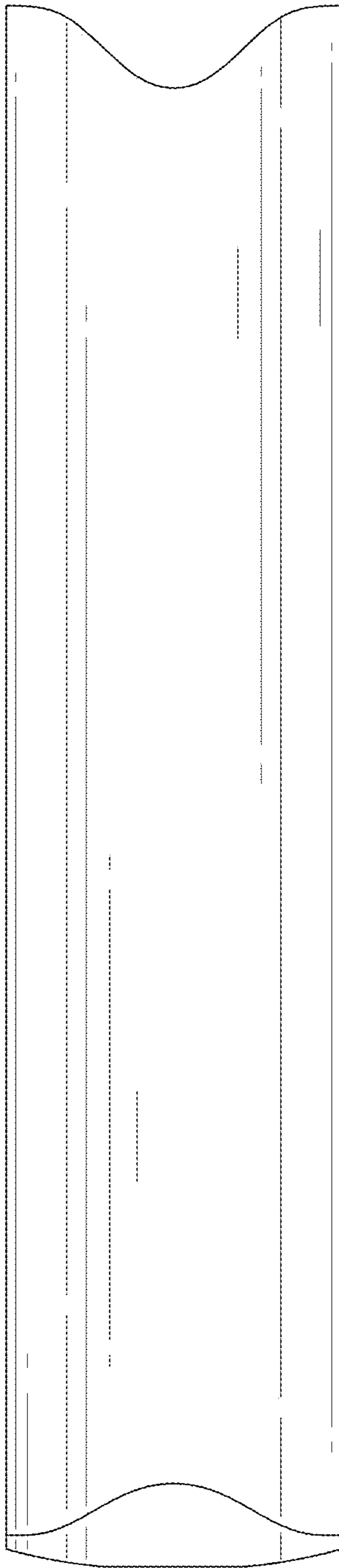


FIG. 9

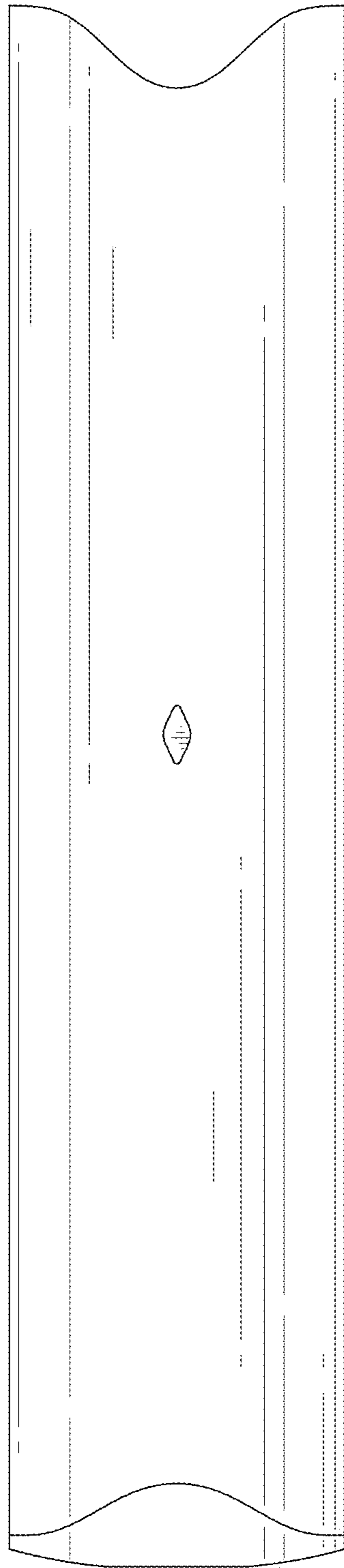


FIG. 10

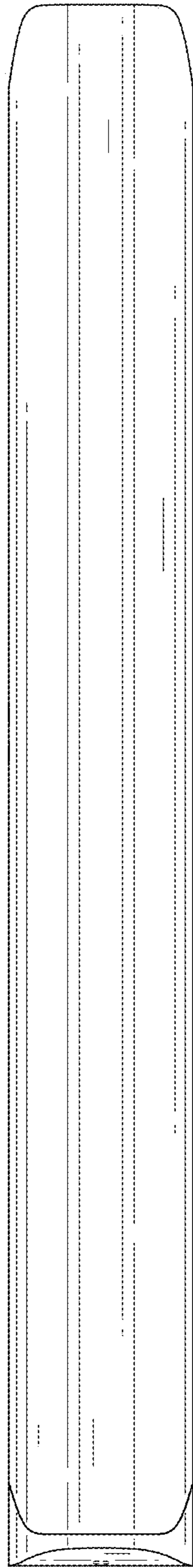


FIG. 11

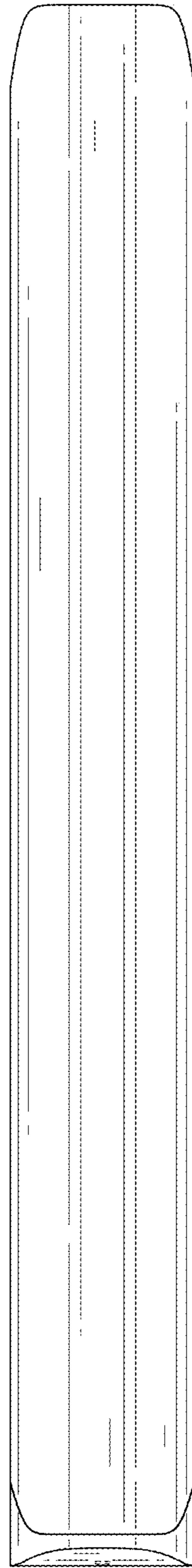


FIG. 12

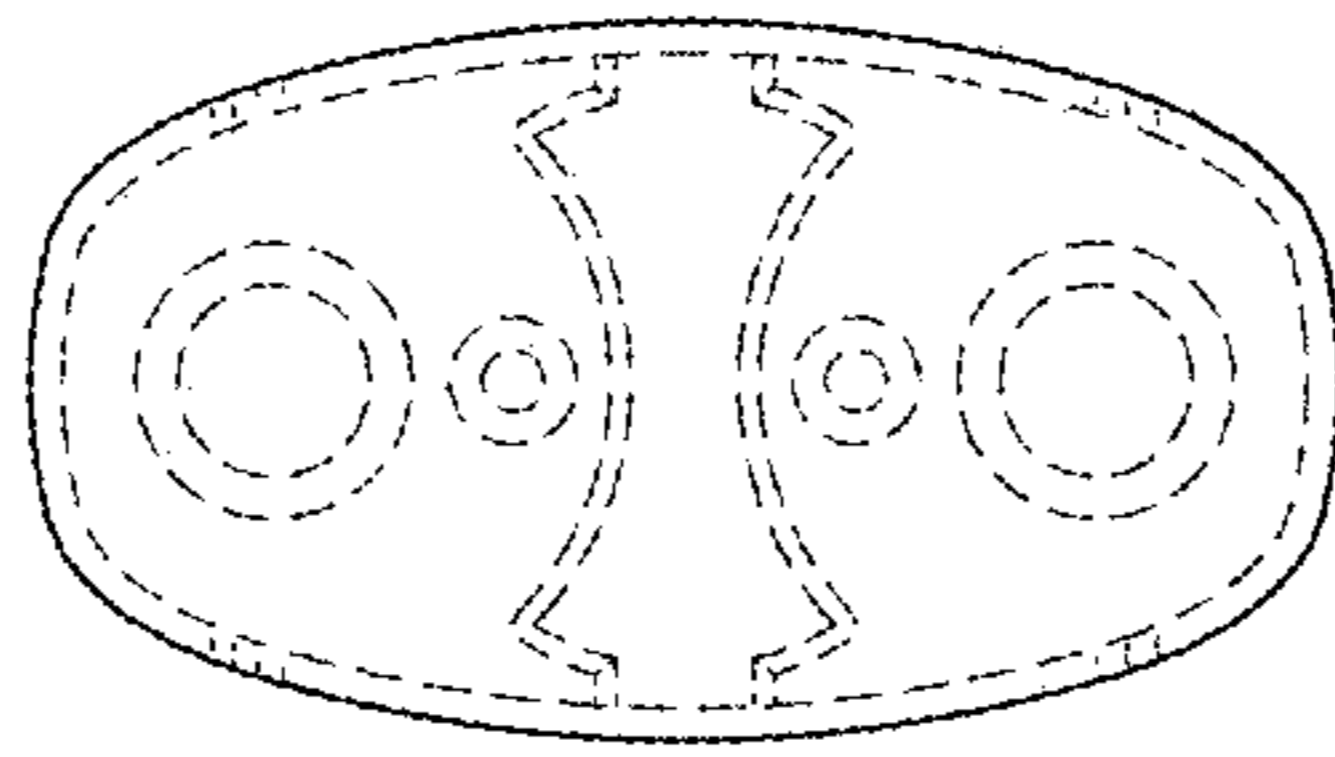


FIG. 13

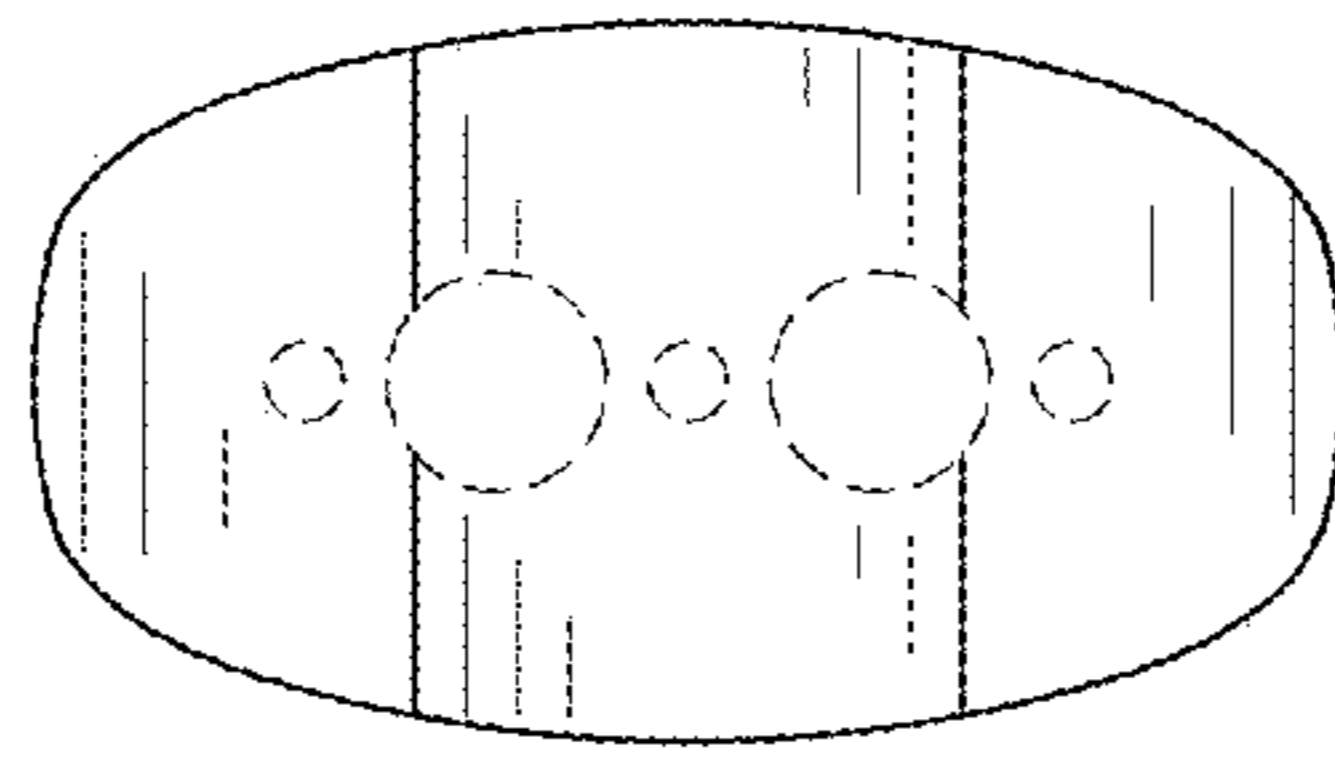


FIG. 14

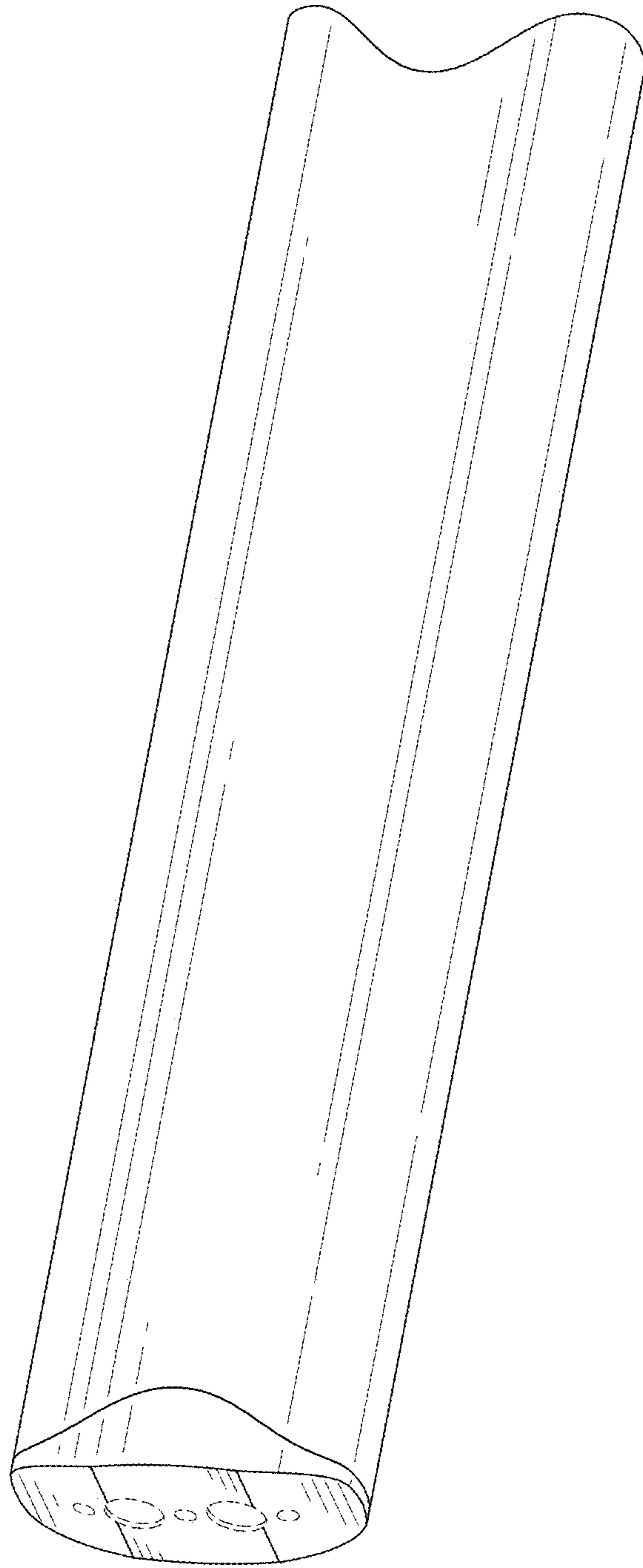


FIG. 15

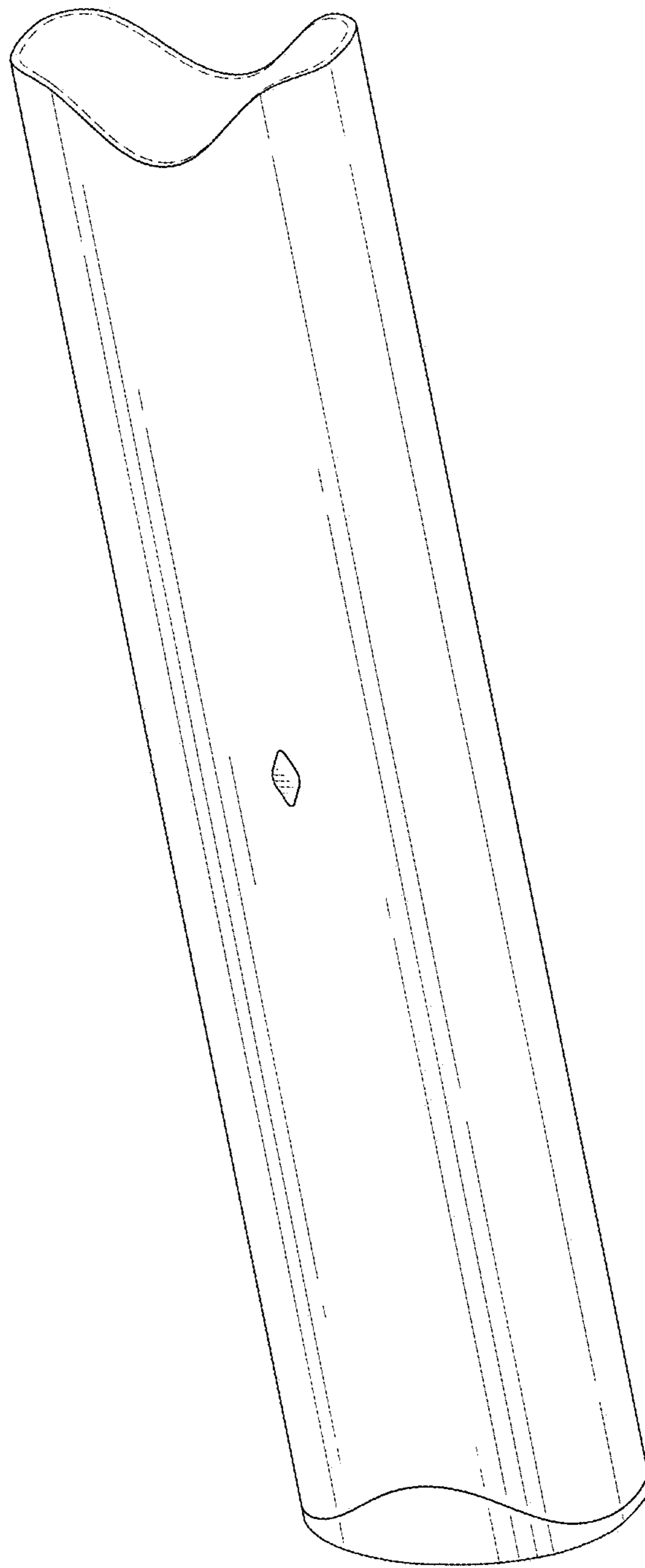


FIG. 16

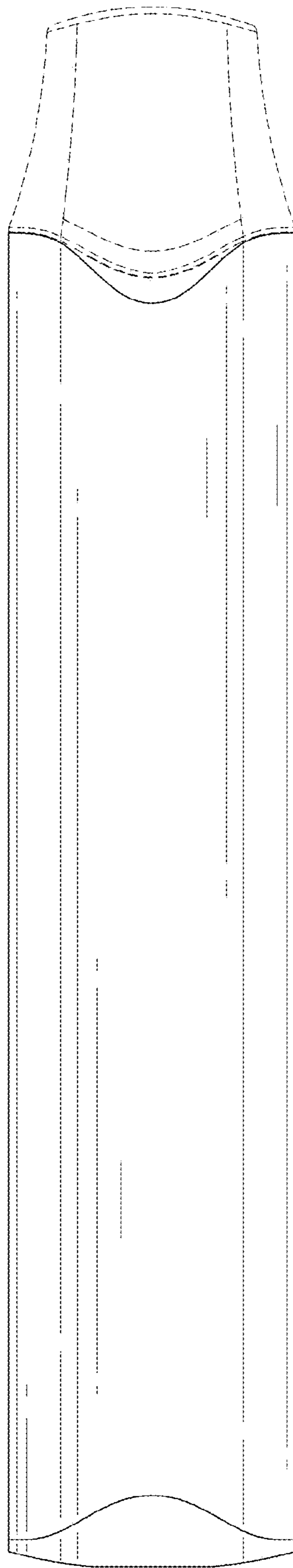


FIG. 17

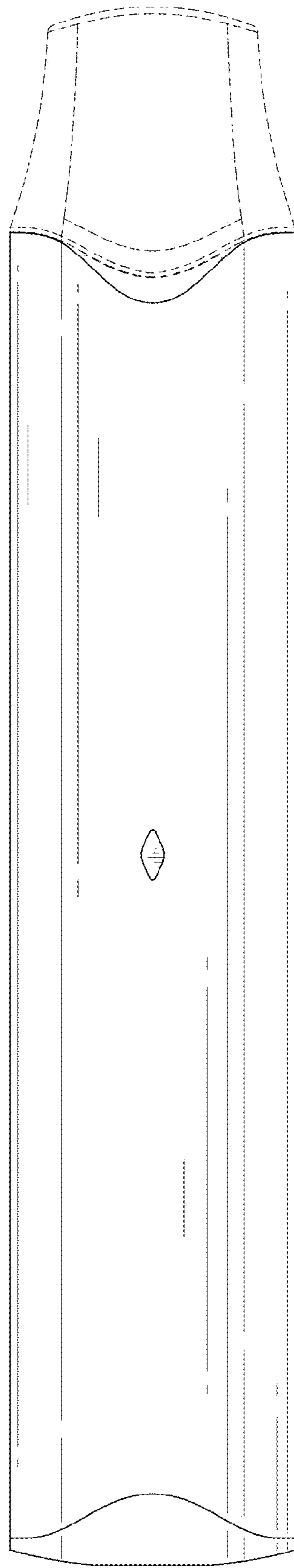


FIG. 18

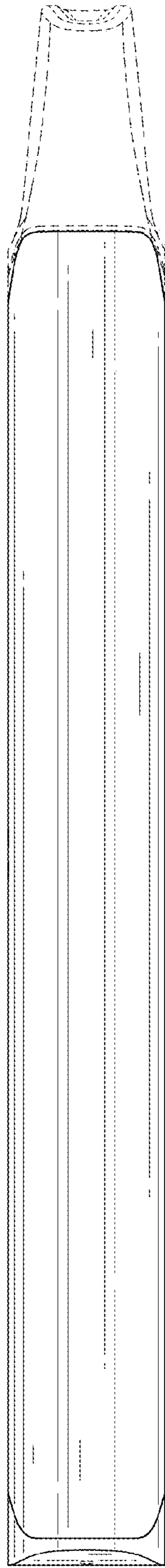


FIG. 19

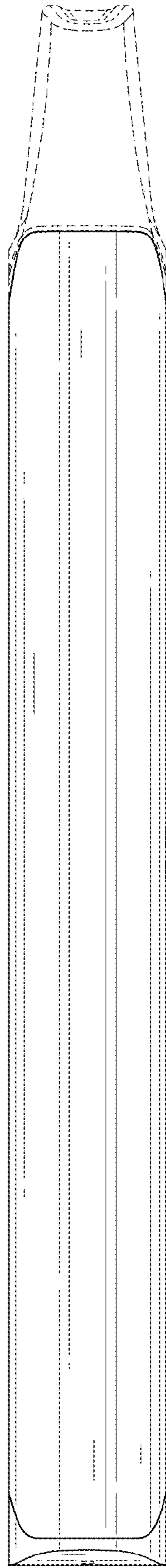


FIG. 20

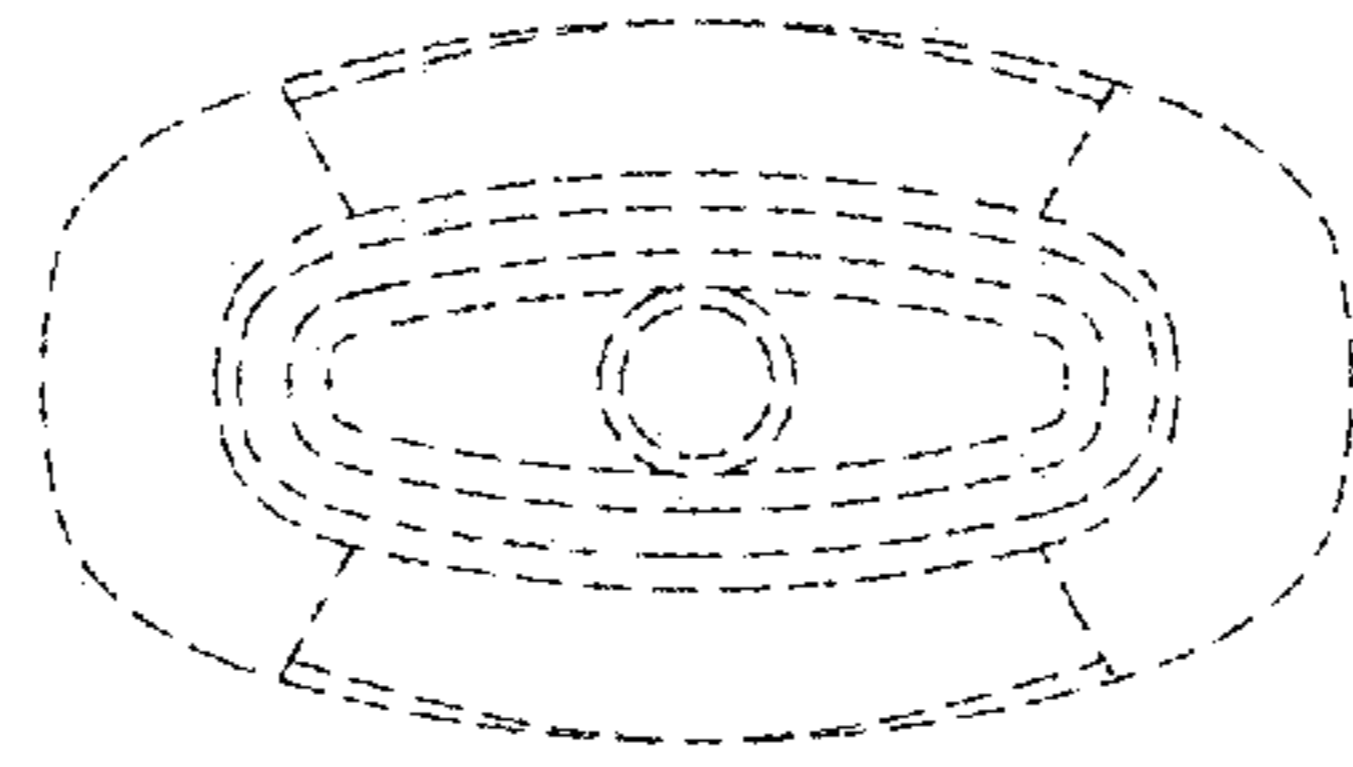


FIG. 21

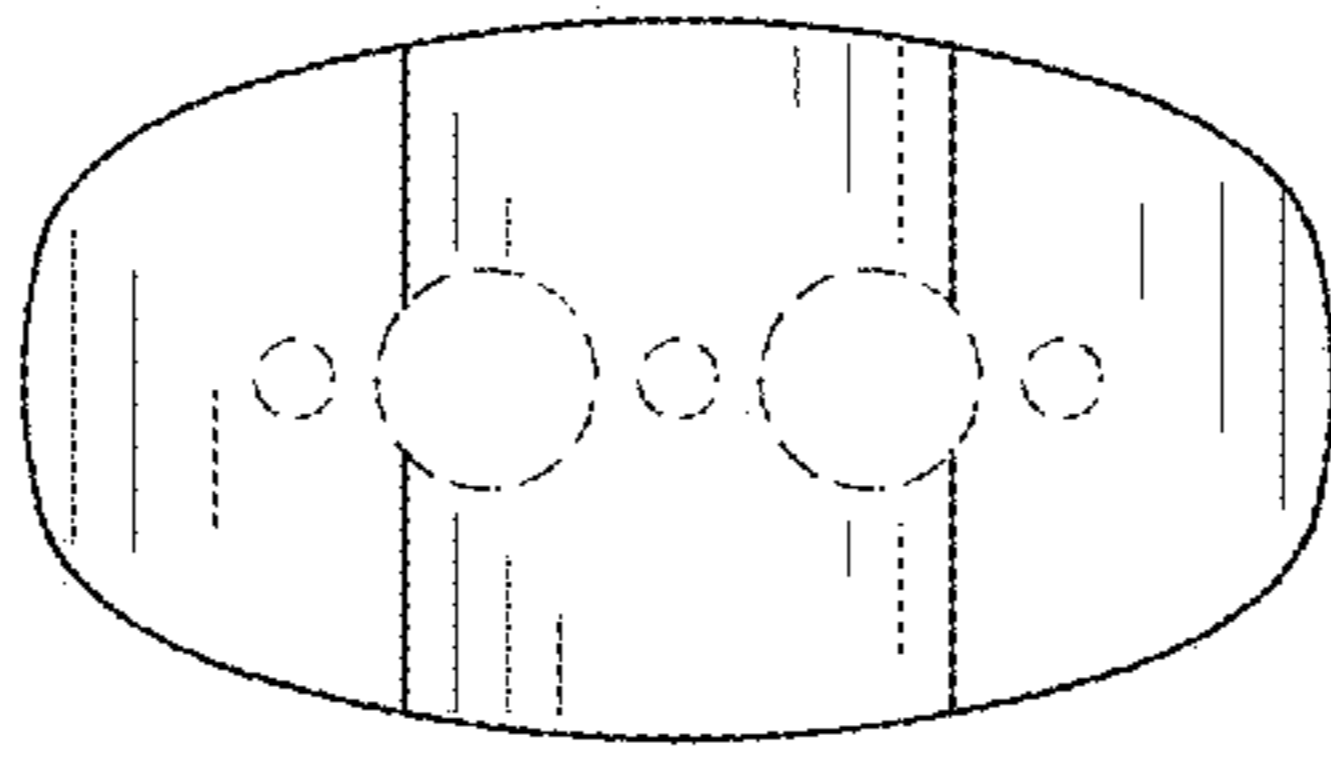


FIG. 22

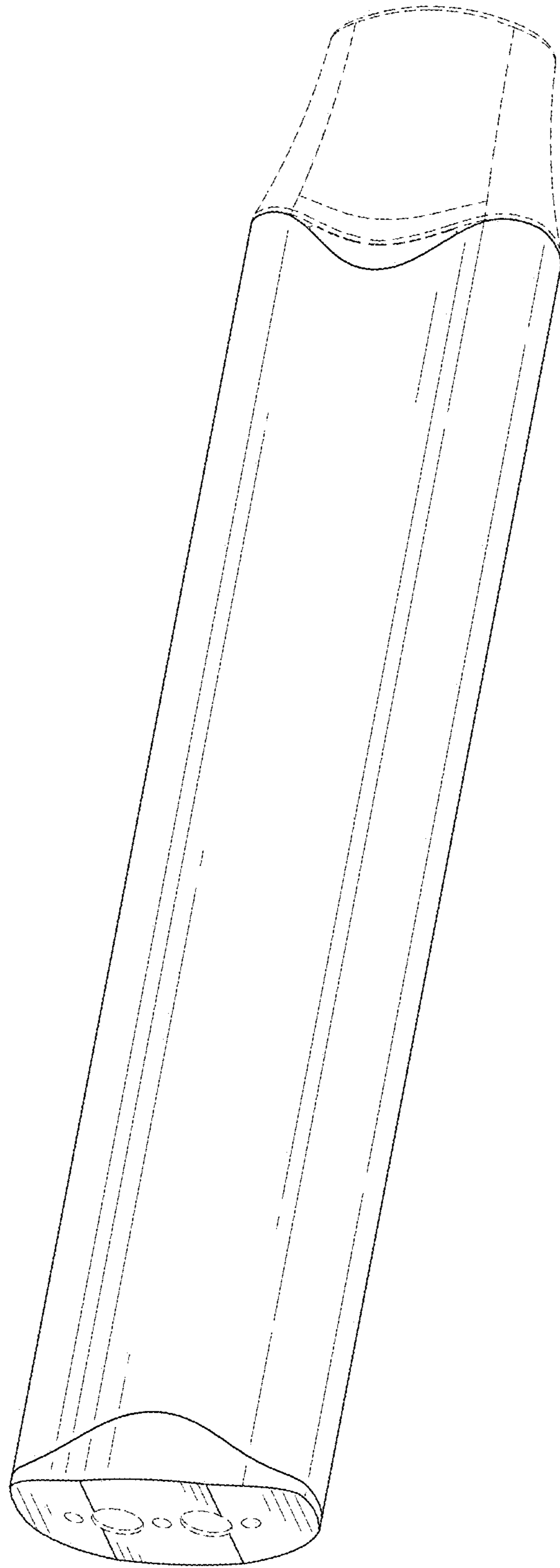


FIG. 23

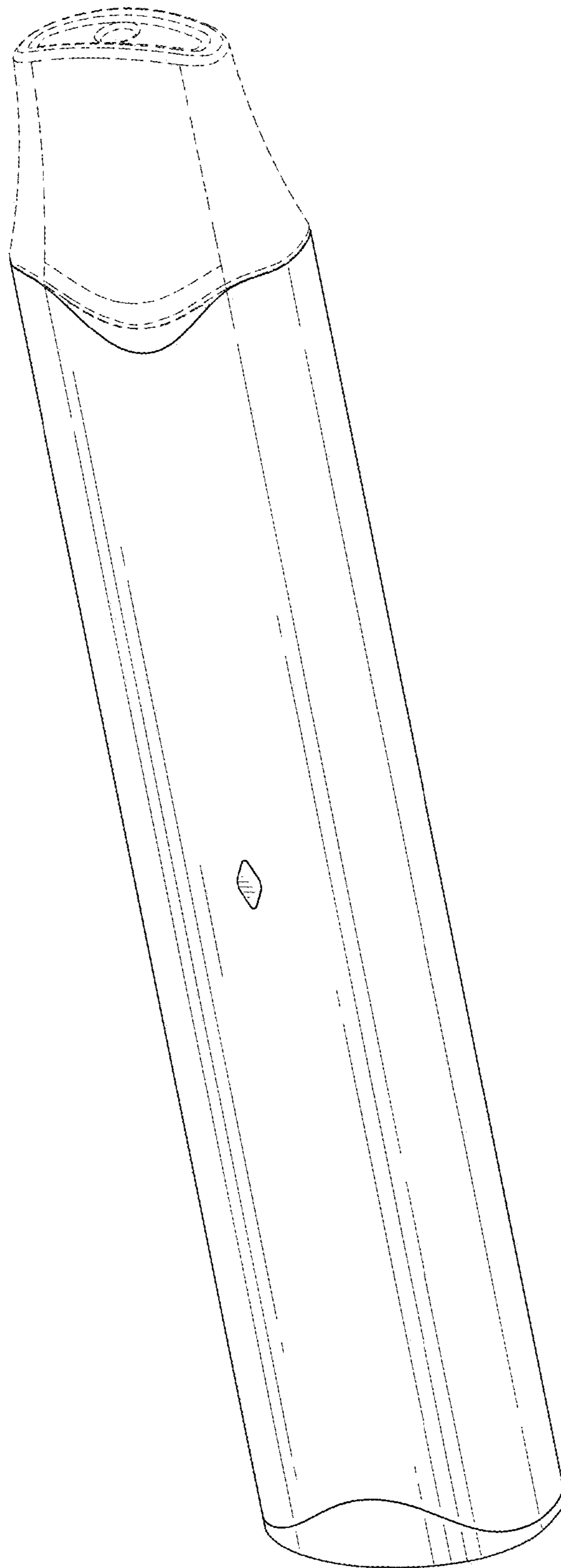


FIG. 24