



US00D951532S

(12) **United States Design Patent**  
**Takahashi**

(10) **Patent No.:** **US D951,532 S**  
(45) **Date of Patent:** **\*\* May 10, 2022**

(54) **SENSOR HOLDER**

(71) Applicant: **KYB Corporation**, Tokyo (JP)

(72) Inventor: **Yusuke Takahashi**, Gifu (JP)

(73) Assignee: **KYB CORPORATION**, Tokyo (JP)

(\*\*) Term: **15 Years**

(21) Appl. No.: **29/671,162**

(22) Filed: **Nov. 23, 2018**

(30) **Foreign Application Priority Data**

Sep. 19, 2018	(JP)	2018-20328
Sep. 19, 2018	(JP)	2018-20330
Sep. 19, 2018	(JP)	2018-20335
Sep. 19, 2018	(JP)	2018-20336
Sep. 19, 2018	(JP)	2018-20338

(51) **LOC (13) Cl.** ..... **27-02**

(52) **U.S. Cl.**  
USPC ..... **D27/162**

(58) **Field of Classification Search**  
USPC ..... D27/162, 100, 101, 163–165, 172, 182,  
D27/183, 185–192, 194; D24/110, 110.5;  
D23/366; D10/30, 32, 38, 34, 39;  
D13/103, 107–109  
CPC .... A24F 47/002; A24F 47/006; A24F 47/008;  
A61M 15/00; A61M 15/06  
See application file for complete search history.

(56) **References Cited**

**U.S. PATENT DOCUMENTS**

D426,168 S	*	6/2000	Adamczewski	.....	D10/46
D443,841 S	*	6/2001	Waldner	.....	D10/104.1

D463,299 S	*	9/2002	Watson	.....	D10/69
D653,326 S	*	1/2012	Anderson	.....	D24/110
D695,889 S	*	12/2013	Bruggeman	.....	D24/110.5
D757,822 S	*	5/2016	Bowyer	.....	D15/5
D782,341 S	*	3/2017	Van Dalen	.....	D10/46
D809,128 S	*	1/2018	Djupesland	.....	D24/110
D814,694 S	*	4/2018	Watson	.....	D27/194
D821,641 S	*	6/2018	Watson	.....	D27/194
D823,144 S	*	7/2018	Kareco	.....	D10/46
D825,844 S	*	8/2018	Verleur	.....	D27/167
D842,152 S	*	3/2019	Regenberg	.....	D10/103
D862,472 S	*	10/2019	Huebner	.....	D14/432
D869,965 S	*	12/2019	Taniguchi	.....	D10/46
D904,912 S	*	12/2020	Nighswander	.....	D10/103

\* cited by examiner

*Primary Examiner* — Rebecca Tsehaye

(74) *Attorney, Agent, or Firm* — Rabin & Berdo, P.C.

(57) **CLAIM**

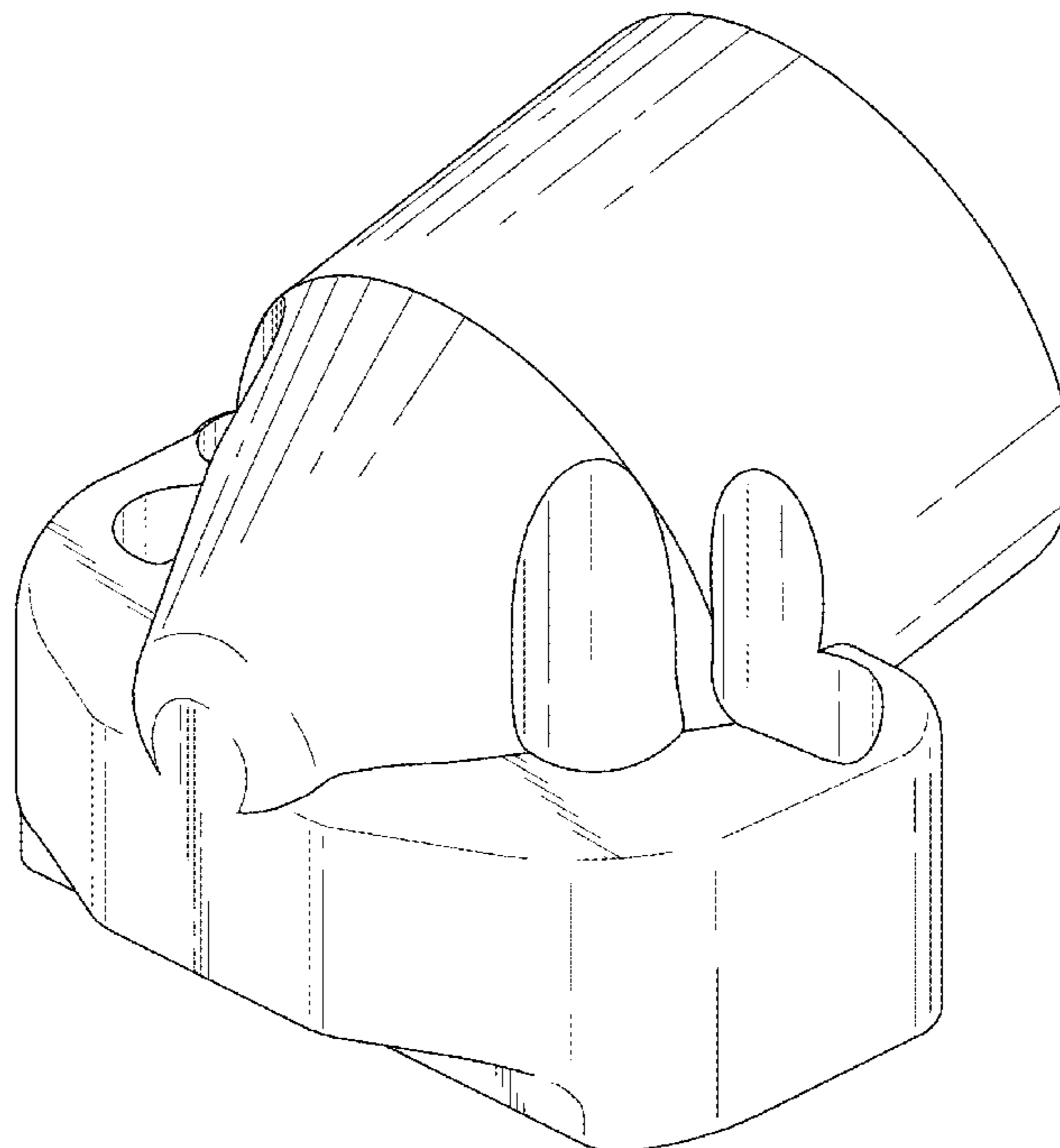
The ornamental design for a sensor holder, as shown and described.

**DESCRIPTION**

FIG. 1 is a perspective view of the sensor holder; FIG. 2 is a front perspective view of thereof; FIG. 3 is a rear view thereof; FIG. 4 is a right side view thereof; FIG. 5 is a top view thereof; FIG. 6 is a bottom view thereof; and, FIG. 7 is a is a cross-sectional view of the sensor holder taken along line 7-7 of FIG. 3.

The broken lines in the drawings depict a portion of the sensor holder that forms no part of the claimed design.

**1 Claim, 7 Drawing Sheets**



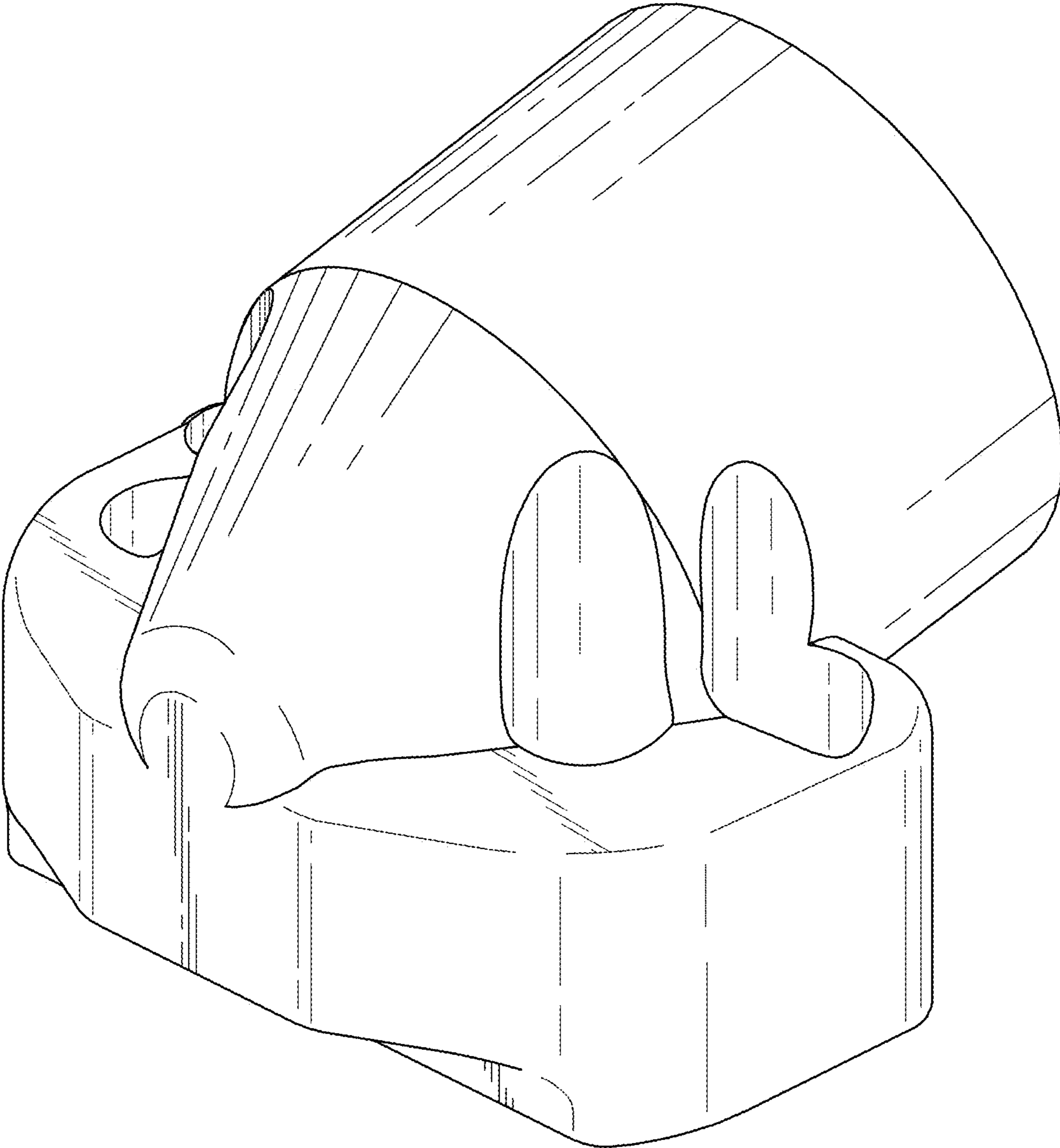


FIG. 1

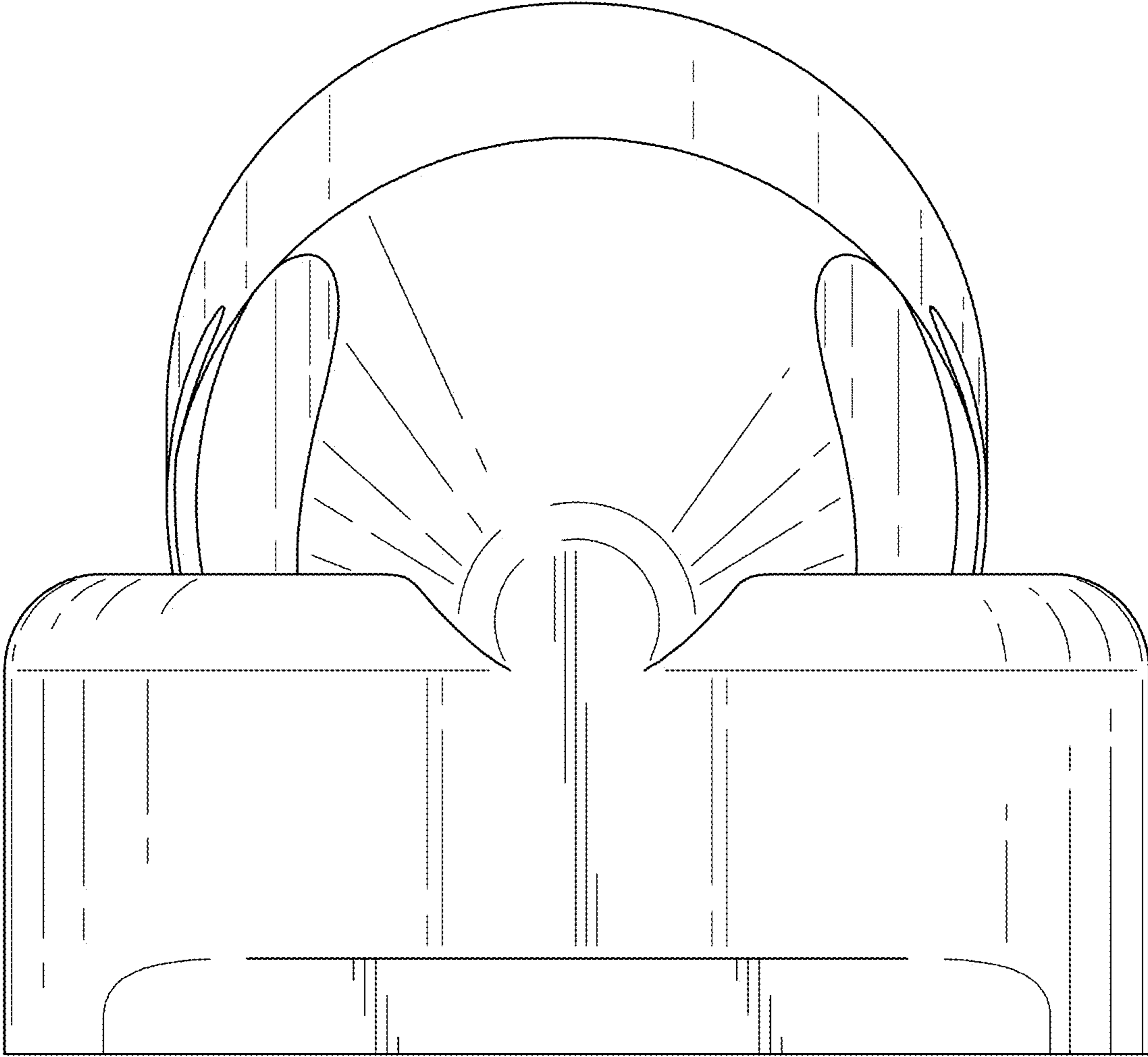


FIG. 2

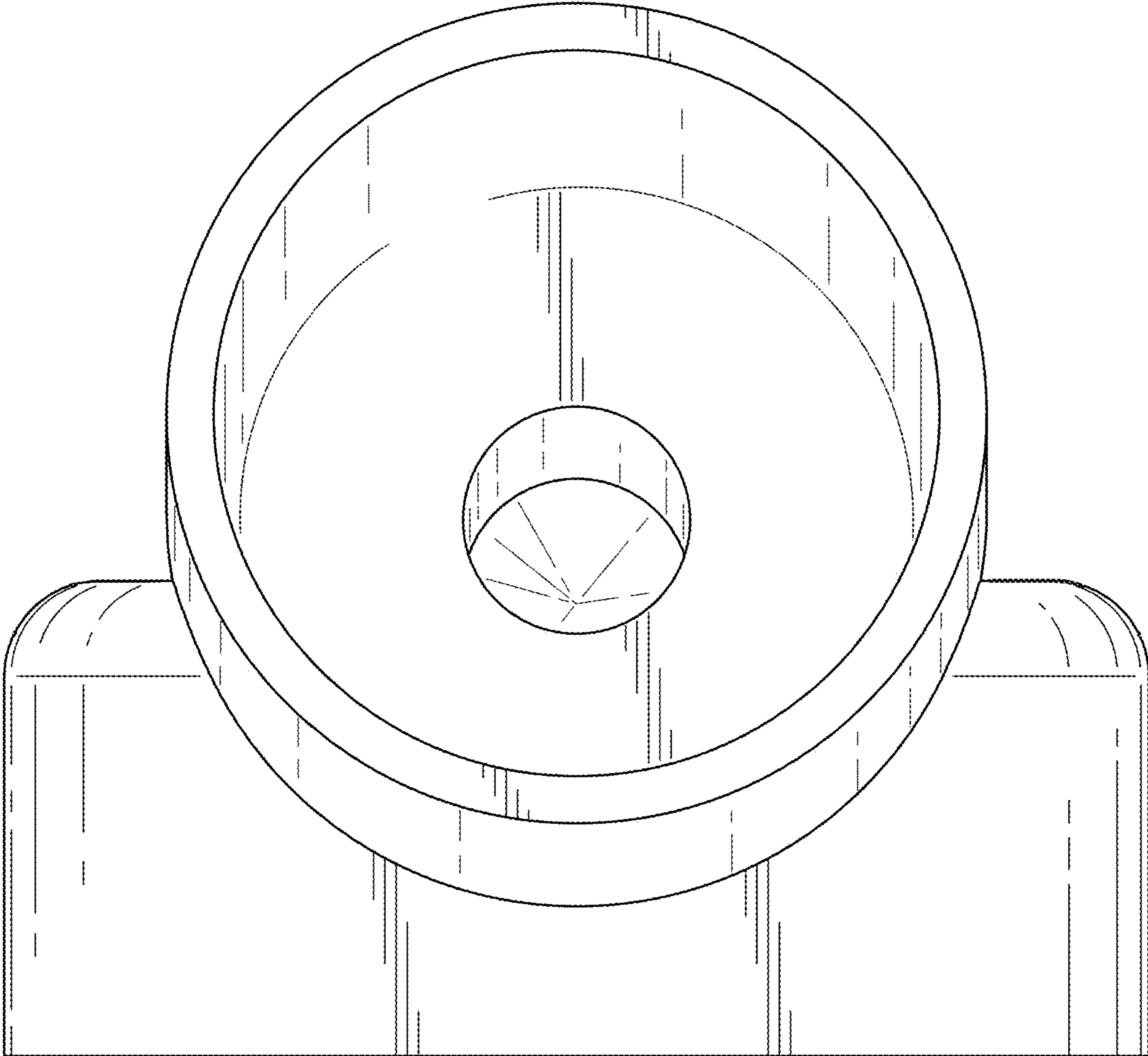


FIG. 3

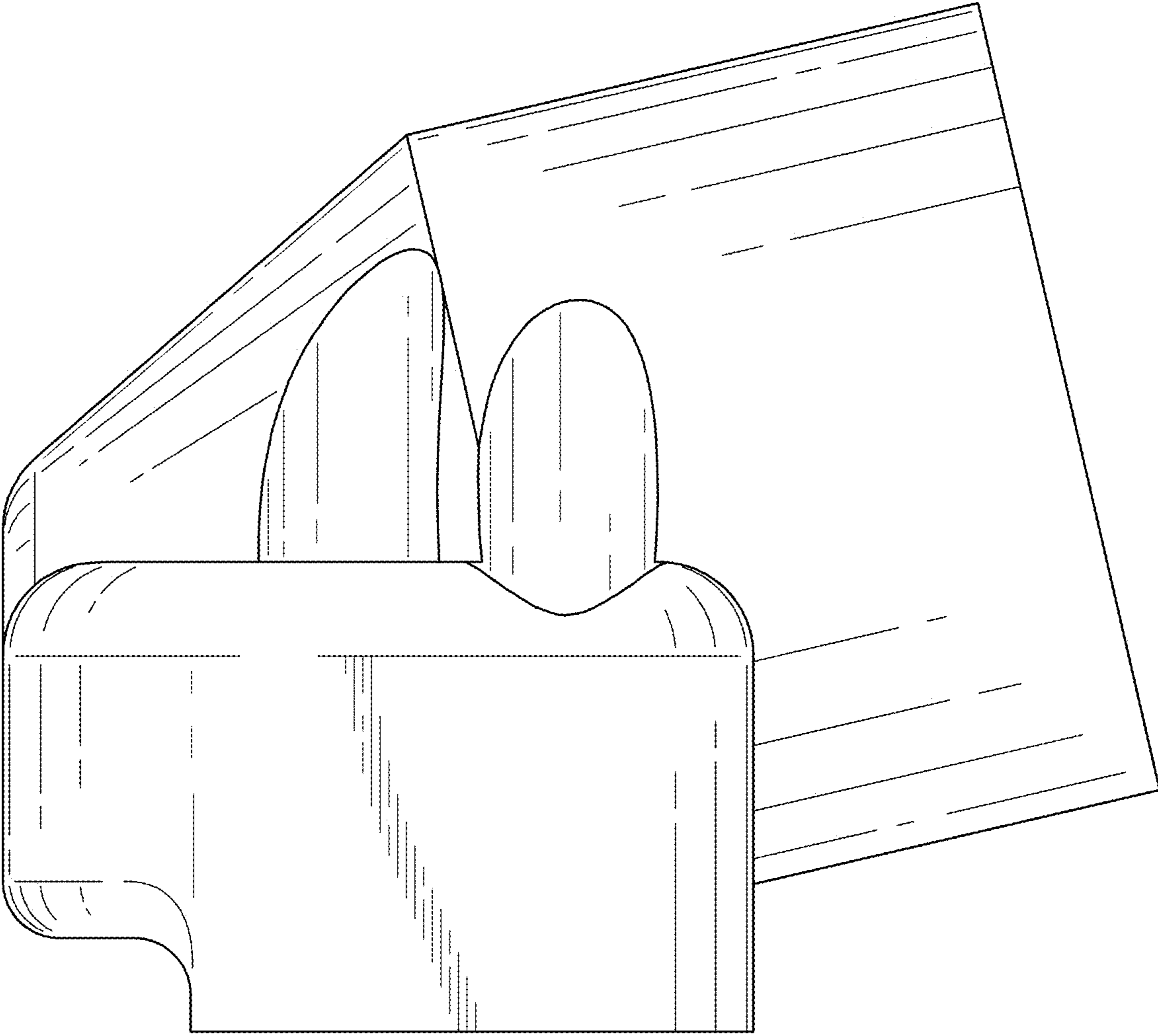


FIG. 4

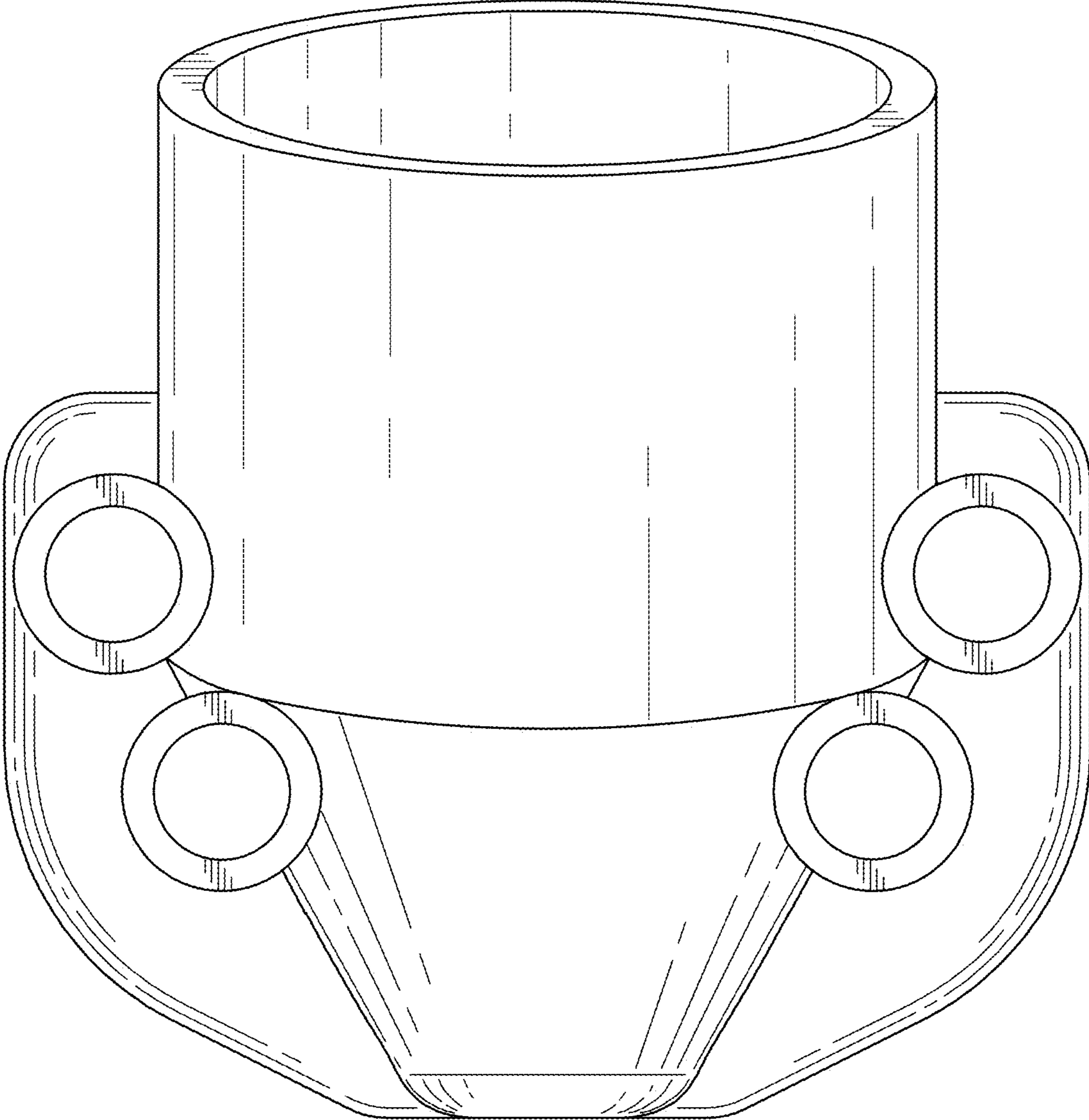


FIG. 5

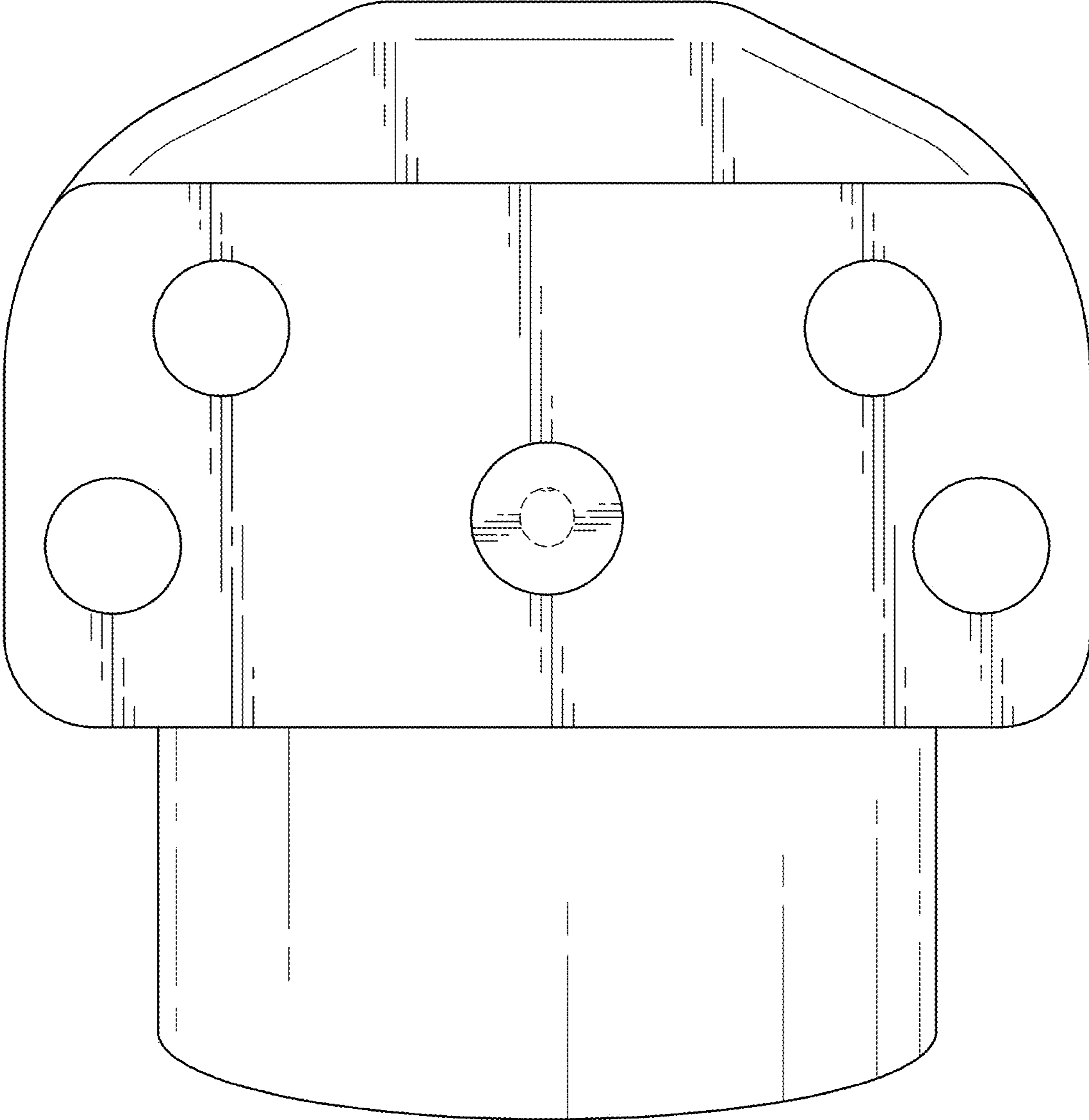


FIG. 6

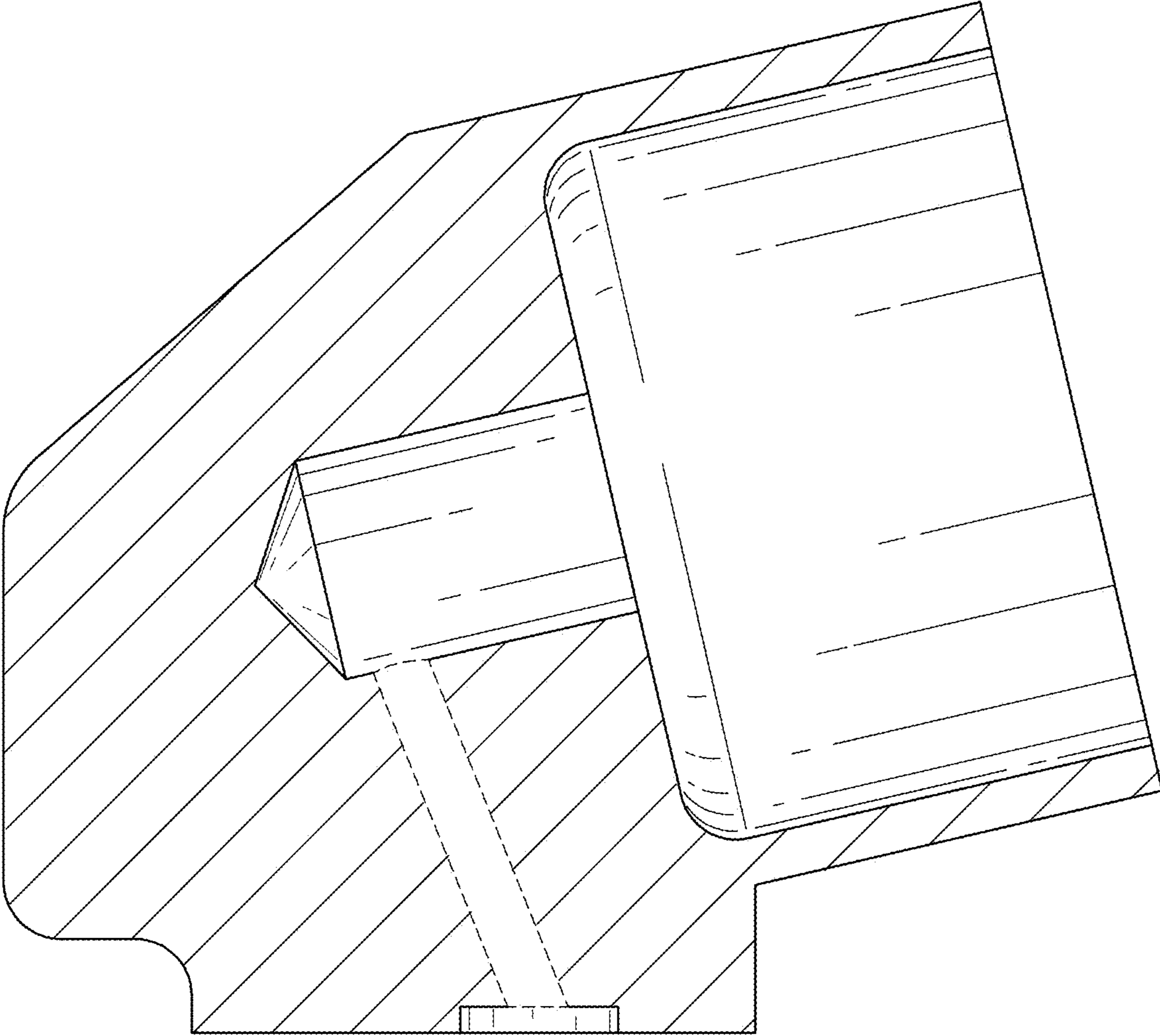


FIG. 7