



US00D951530S

(12) **United States Design Patent** (10) **Patent No.:** **US D951,530 S**
Klus (45) **Date of Patent:** **** May 10, 2022**

(54) **EXTRUSION FOR LED BASED LIGHTING APPARATUS**

(71) Applicant: **KLUS, LLC**, Vero Beach, FL (US)

(72) Inventor: **Sylwester Klus**, Kamionka (PL)

(73) Assignee: **KLUS, LLC**, Vero Beach, FL (US)

(**) Term: **15 Years**

(21) Appl. No.: **29/760,847**

(22) Filed: **Dec. 4, 2020**

(30) **Foreign Application Priority Data**

Aug. 17, 2020 (EM) 008123244-0004

(51) **LOC (13) Cl.** **26-05**

(52) **U.S. Cl.**
USPC **D26/138**

(58) **Field of Classification Search**
USPC D26/72, 113, 118, 119, 120, 121, 122,
D26/138, 139, 140, 141, 142, 145, 152,
D26/154, 155, 76, 78
CPC F21S 8/00; F21S 8/031; F21S 8/033; F21S
8/038; F21K 9/20; F21K 9/237; F21V
15/013; F21V 17/04; F21V 21/00; F21V
21/02

See application file for complete search history.

(56) **References Cited**

U.S. PATENT DOCUMENTS

2,031,002 A * 2/1936 Moore E21B 15/00
403/172
2,063,146 A * 12/1936 Becker E02D 5/28
405/231
D389,460 S * 1/1998 Wei-Hong D13/155
D394,595 S * 5/1998 Walsh D25/119
D600,401 S * 9/2009 Varrin D26/138
D649,686 S * 11/2011 Trzesniowski D26/138
D747,539 S * 1/2016 Santoro D26/120

D790,762 S * 6/2017 Sonneman D26/138
D792,611 S * 7/2017 Shargani D25/119
D818,633 S * 5/2018 Barker D26/118
D851,279 S * 6/2019 Springborn D25/38.1
D870,635 S * 12/2019 Keen D12/221

(Continued)

FOREIGN PATENT DOCUMENTS

GB 2041155 * 2/1994
GB 2106447 * 11/2001
KR 301026587.0000 * 10/2019

OTHER PUBLICATIONS

“Giza-Duo-LL”, reference by KLUS Design on Vimeo.com, announced in Vimeo.com on May 7, 2020 [online], [site visited Dec. 22, 2021], available from the internet URL: https://vimeo.com/415874881?embedded=true&source=vimeo_logo&owner=74198202 (Year: 2020).*

(Continued)

Primary Examiner — Marissa J Cash
Assistant Examiner — Liv C Anderson
(74) *Attorney, Agent, or Firm* — Mark Terry

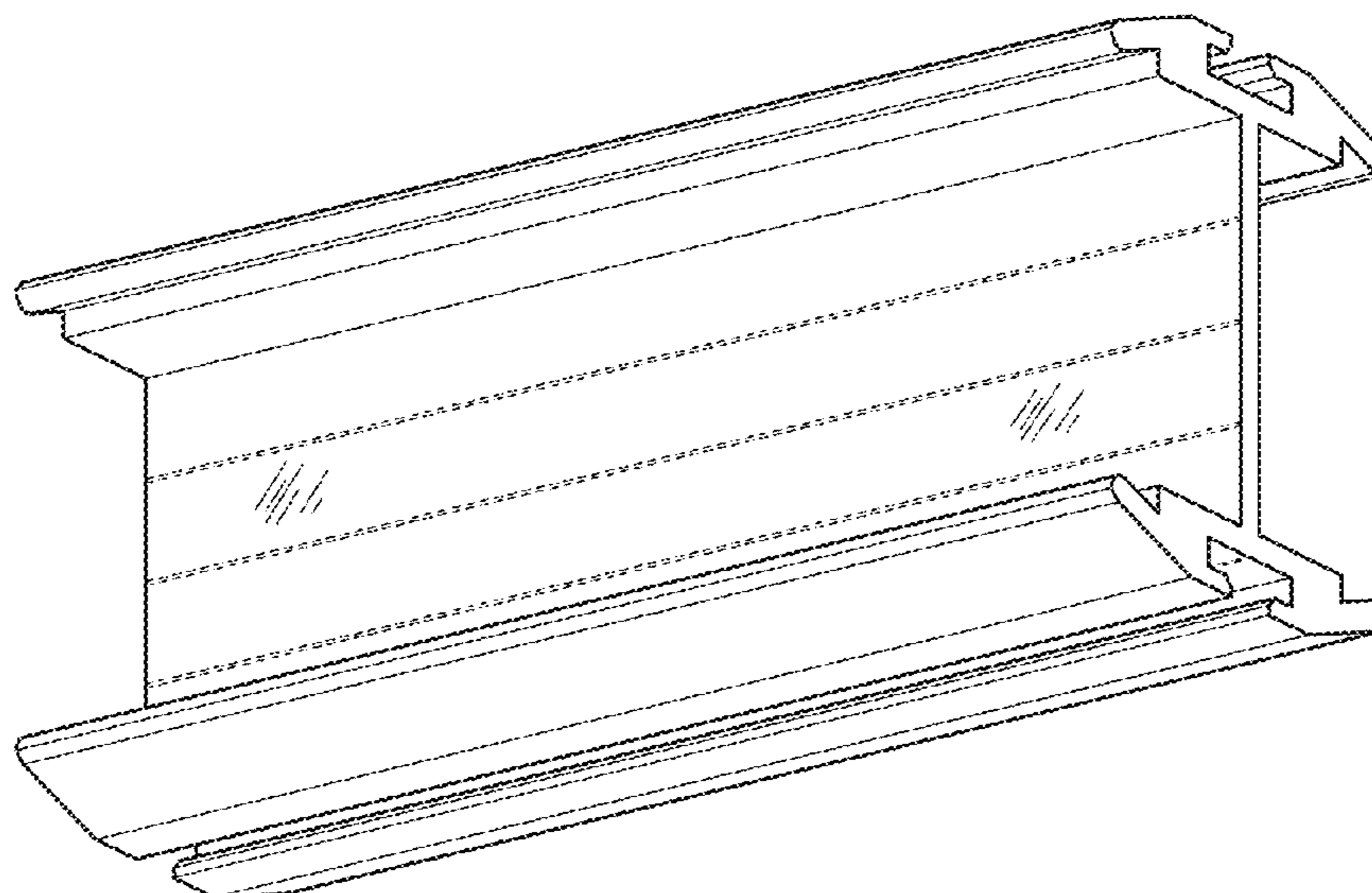
(57) **CLAIM**

The ornamental design for an extrusion for LED based lighting apparatus, as shown and described.

DESCRIPTION

FIG. 1 is a bottom perspective view of the extrusion for LED based lighting apparatus, showing the new design; FIG. 2 is a top perspective view thereof; FIG. 3 is a front view thereof; FIG. 4 is a top view thereof; FIG. 5 is rear view thereof; and, FIG. 6 is a side view thereof. The uniformly dashed lines shown in the drawings illustrate portions of the extrusion for LED based lighting apparatus which form no part of the claimed design.

1 Claim, 3 Drawing Sheets



(56)

References Cited

U.S. PATENT DOCUMENTS

D880,009 S * 3/2020 Loughren D25/126
D902,624 S * 11/2020 Fons D6/552
D924,781 S * 7/2021 Keen D12/412
2005/0284078 A1 * 12/2005 Marsland E04C 3/18
52/642

OTHER PUBLICATIONS

“Outwater Plastic H Channel Fits Material . . .”, reference by Outwater Industries on amazon.com, date first available Nov. 8, 2019 [online], [site visited Dec. 22, 2021], available from internet URL: https://www.amazon.com/dp/B07N4BN9F4/ref=cm_sw_em_r_mt_dp_G8RF0W5EC93QMH36EQ2R?_encoding=UTF8&psc=1 (Year: 2019).*

“Outwater Aluminum H Channel Fits Material . . .”, reference by Outwater Industries on amazon.com, date first available Nov. 8, 2019 [online], [site visited Dec. 22, 2021], available from internet URL: https://www.amazon.com/dp/B07N4FN2LP/ref=cm_sw_em_r_mt_dp_KNZ7PD88FW2CBF9SR3RT?_encoding=UTF8&psc=1 (Year: 2019).*

* cited by examiner

FIG. 1

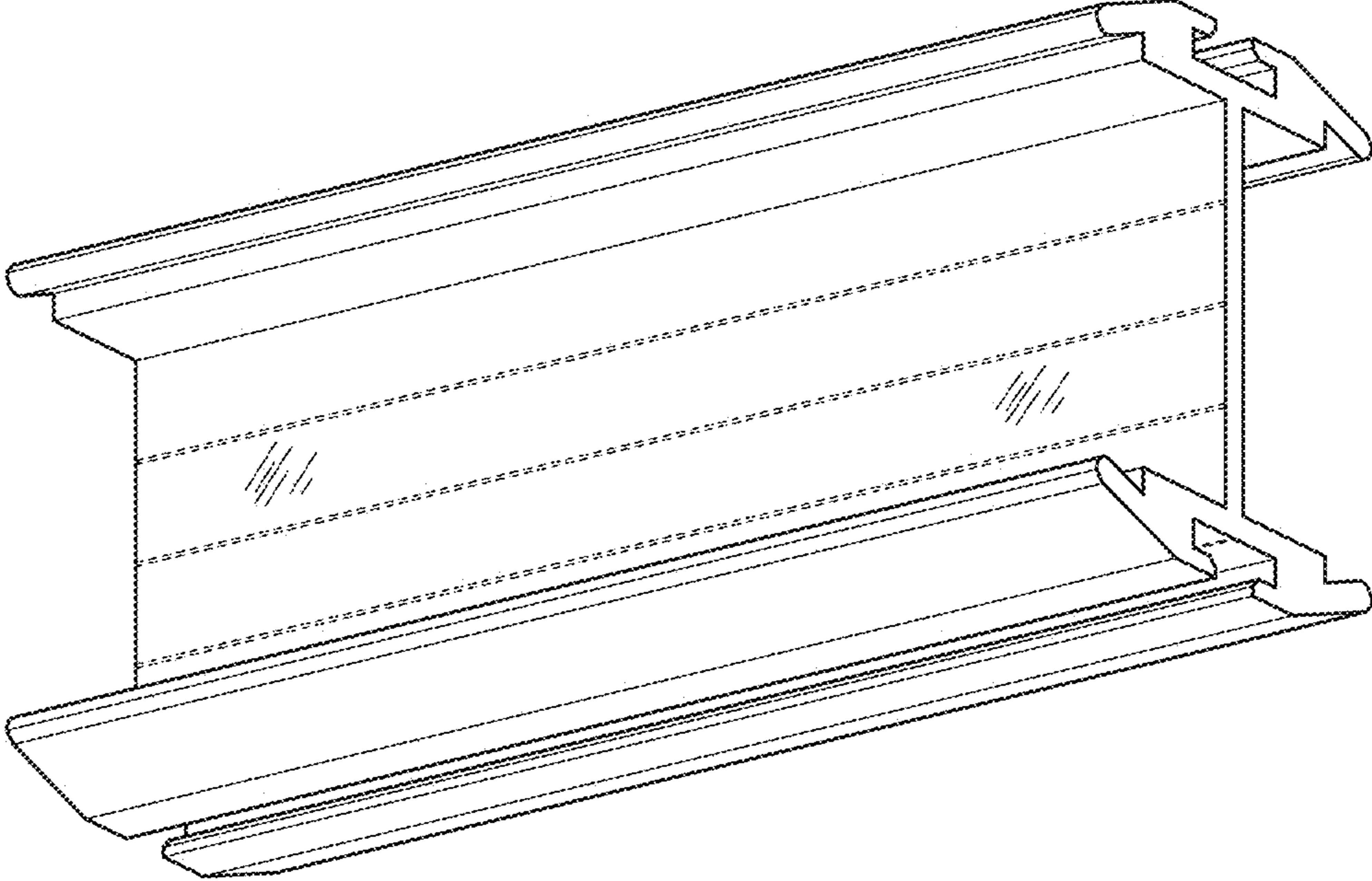


FIG. 2

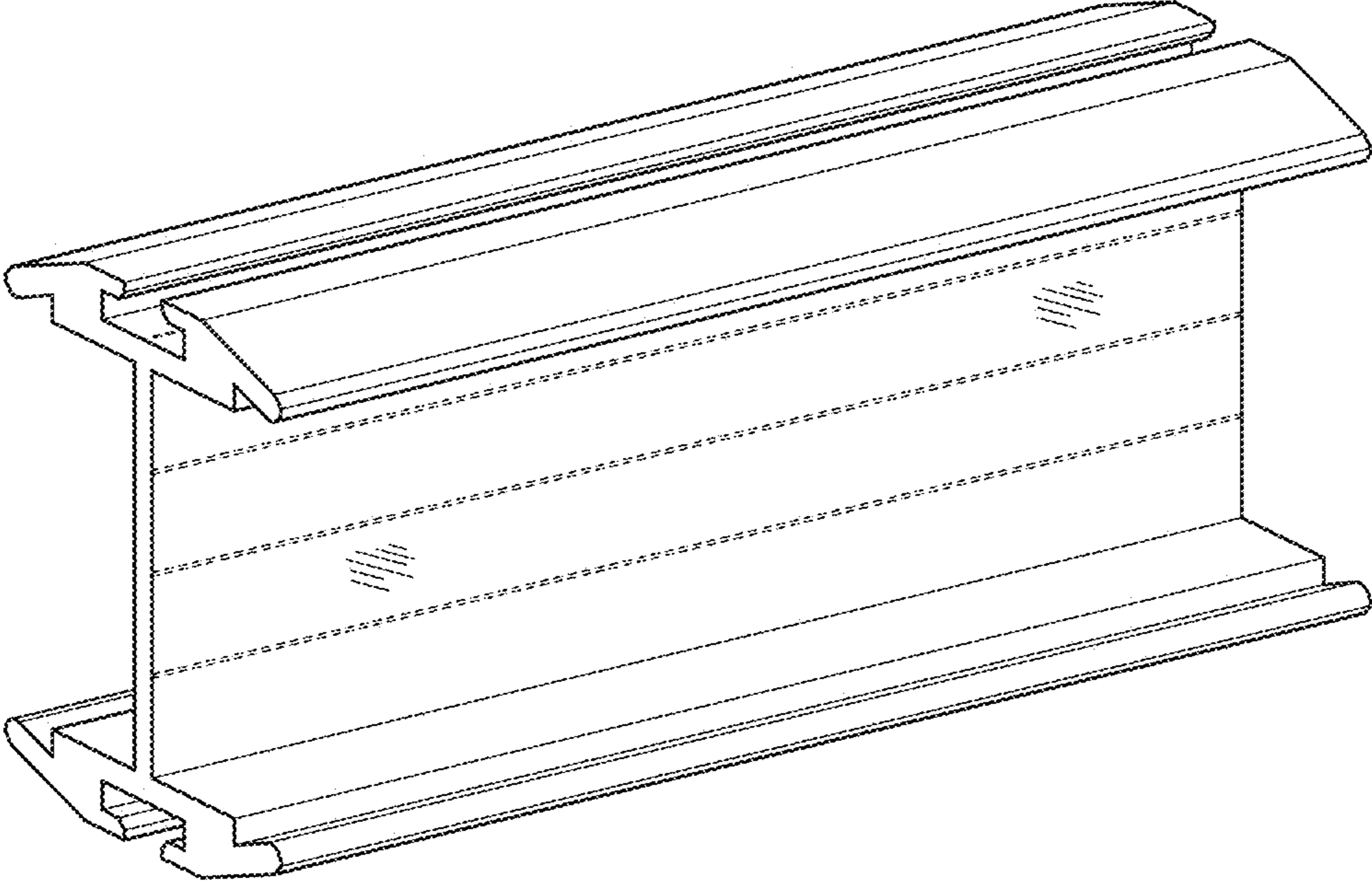


FIG. 3

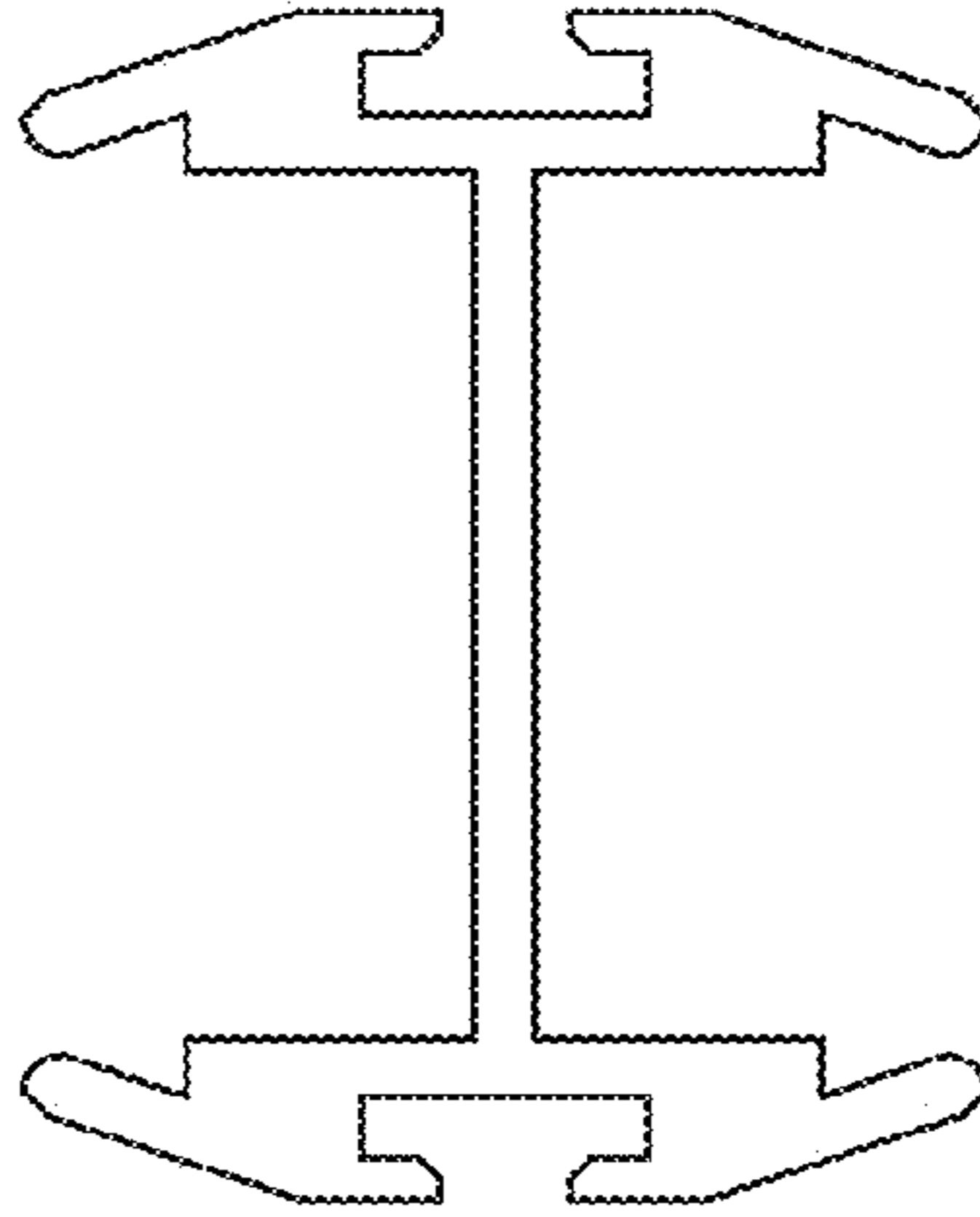


FIG. 4

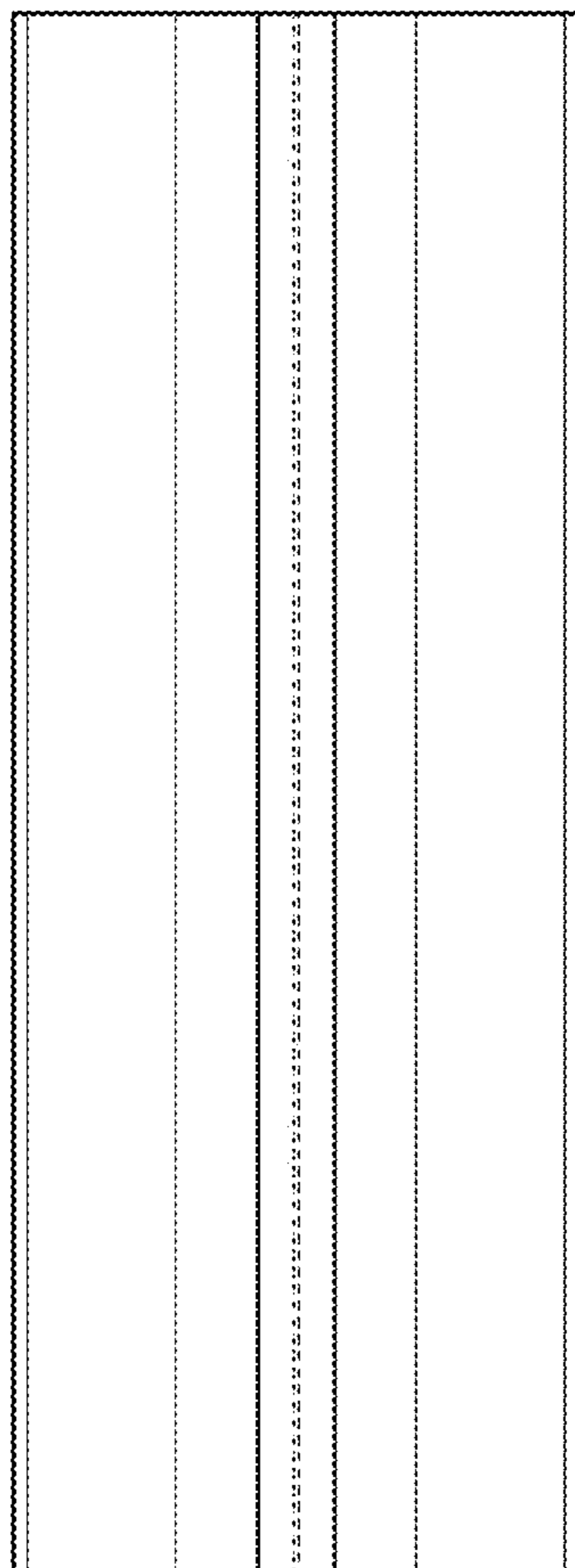


FIG. 5

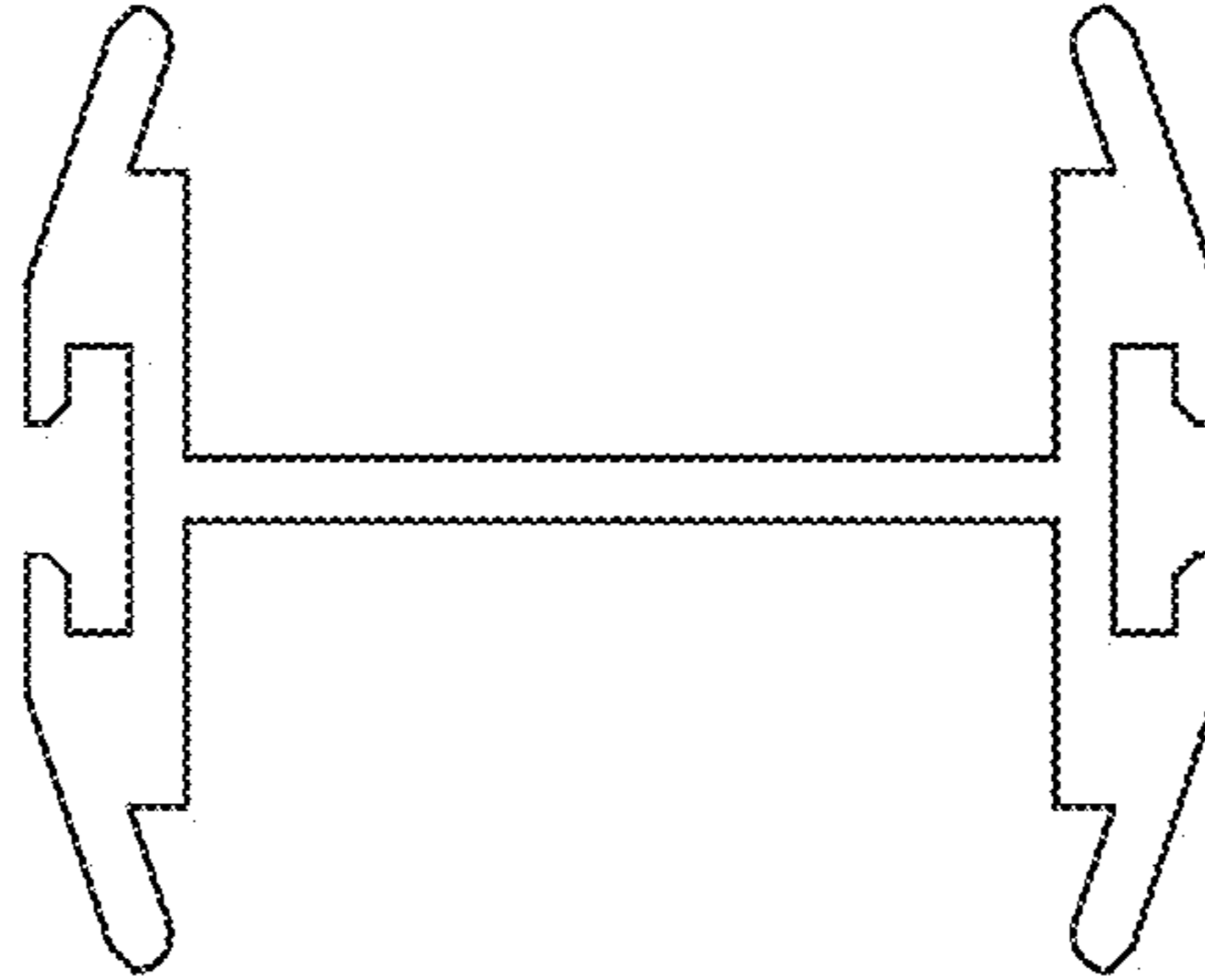


FIG. 6

