



US00D951529S

(12) **United States Design Patent**
Kim

(10) **Patent No.:** **US D951,529 S**

(45) **Date of Patent:** **** May 10, 2022**

(54) **SPEED LIGHT BRACKET**

(71) Applicant: **Jongseok Kim**, Busan (KR)

(72) Inventor: **Jongseok Kim**, Busan (KR)

(**) Term: **15 Years**

(21) Appl. No.: **29/732,882**

(22) Filed: **Apr. 28, 2020**

(30) **Foreign Application Priority Data**

Dec. 2, 2019 (CN) 201930669309.3

(51) **LOC (13) Cl.** **26-05**

(52) **U.S. Cl.**
USPC **D26/138**

(58) **Field of Classification Search**
USPC D26/113, 118, 152, 88, 85, 84, 90, 142,
D26/143, 153, 110, 65, 145, 155, 87, 13,
D26/19, 61, 72, 76, 91, 92, 93, 128, 129,
D26/130, 135, 137, 138, 140, 154
CPC F21V 21/28
See application file for complete search history.

(56) **References Cited**

U.S. PATENT DOCUMENTS

- 4,419,721 A * 12/1983 Gregoire B60Q 1/245
362/269
- D467,378 S * 12/2002 Wang D26/65
- 6,955,447 B2 * 10/2005 Lui B60Q 1/245
362/228
- 7,914,162 B1 * 3/2011 Huang F21V 3/04
362/92
- D636,118 S * 4/2011 Kim D26/138

- D646,430 S * 10/2011 Gomez Paz D26/138
- D663,067 S * 7/2012 Buyce D26/138
- D689,232 S * 9/2013 Velazquez F21V 23/06
D26/63
- D729,973 S * 5/2015 Gebhard D26/138
- D730,555 S * 5/2015 Gebhard D26/72
- 9,239,155 B2 * 1/2016 Chung F21V 21/28
- D750,314 S * 2/2016 Hobson D26/118
- 9,416,945 B2 * 8/2016 Chung F21S 6/003
- D822,257 S * 7/2018 Wang D26/76
- D856,562 S * 8/2019 Shi D26/63
- D906,091 S * 12/2020 Zhang D8/349

* cited by examiner

Primary Examiner — Mark A Goodwin

Assistant Examiner — Benjamin M Weeks

(74) *Attorney, Agent, or Firm* — Muncy, Geissler, Olds & Lowe, P.C.

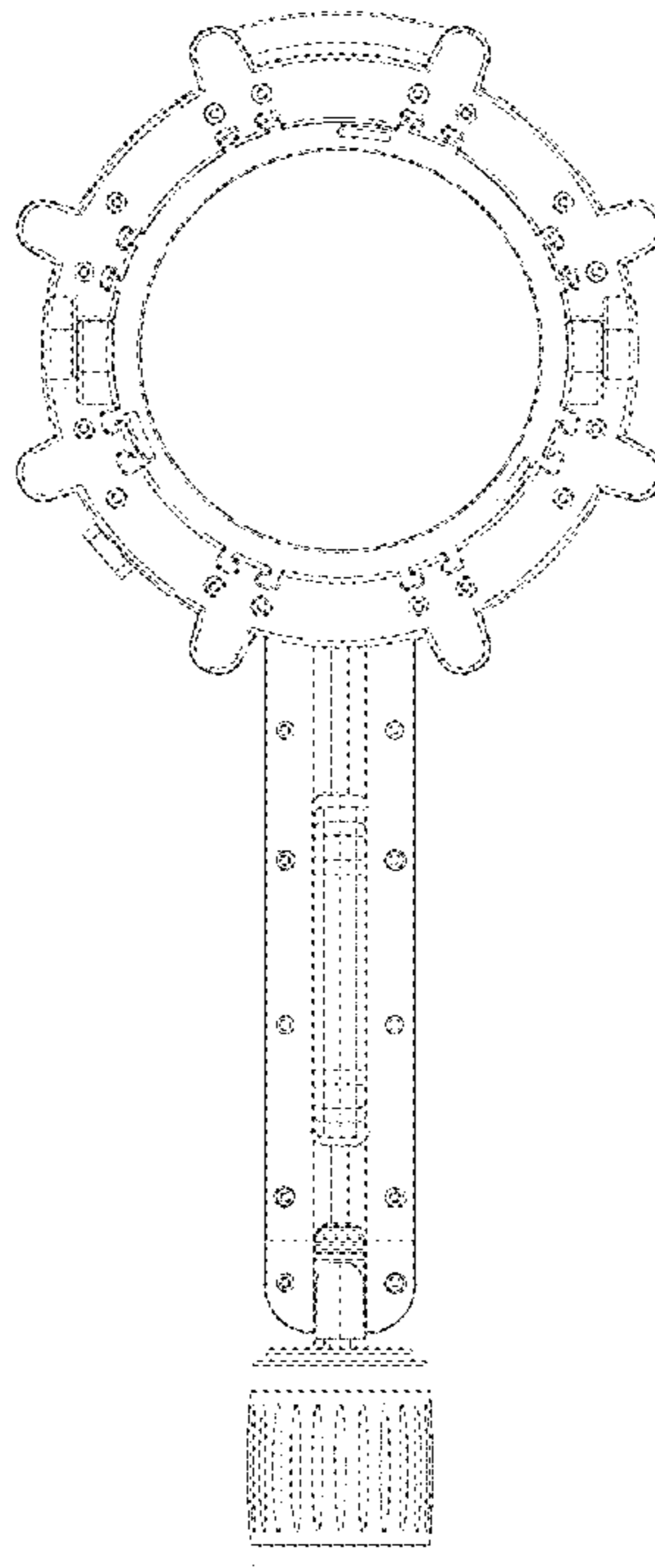
(57) **CLAIM**

The ornamental design for a speed light bracket, as shown and described.

DESCRIPTION

FIG. 1 is a front elevational view of a speed light bracket showing my new design;
FIG. 2 is a rear elevational view thereof;
FIG. 3 is a left side view thereof;
FIG. 4 is a right side view thereof;
FIG. 5 is a top plan view thereof;
FIG. 6 is a bottom plan view thereof;
FIG. 7 is a front perspective view thereof; and,
FIG. 8 is a rear perspective view thereof.
The broken lines depict portions of the speed light bracket that form no part of the claimed design.

1 Claim, 8 Drawing Sheets



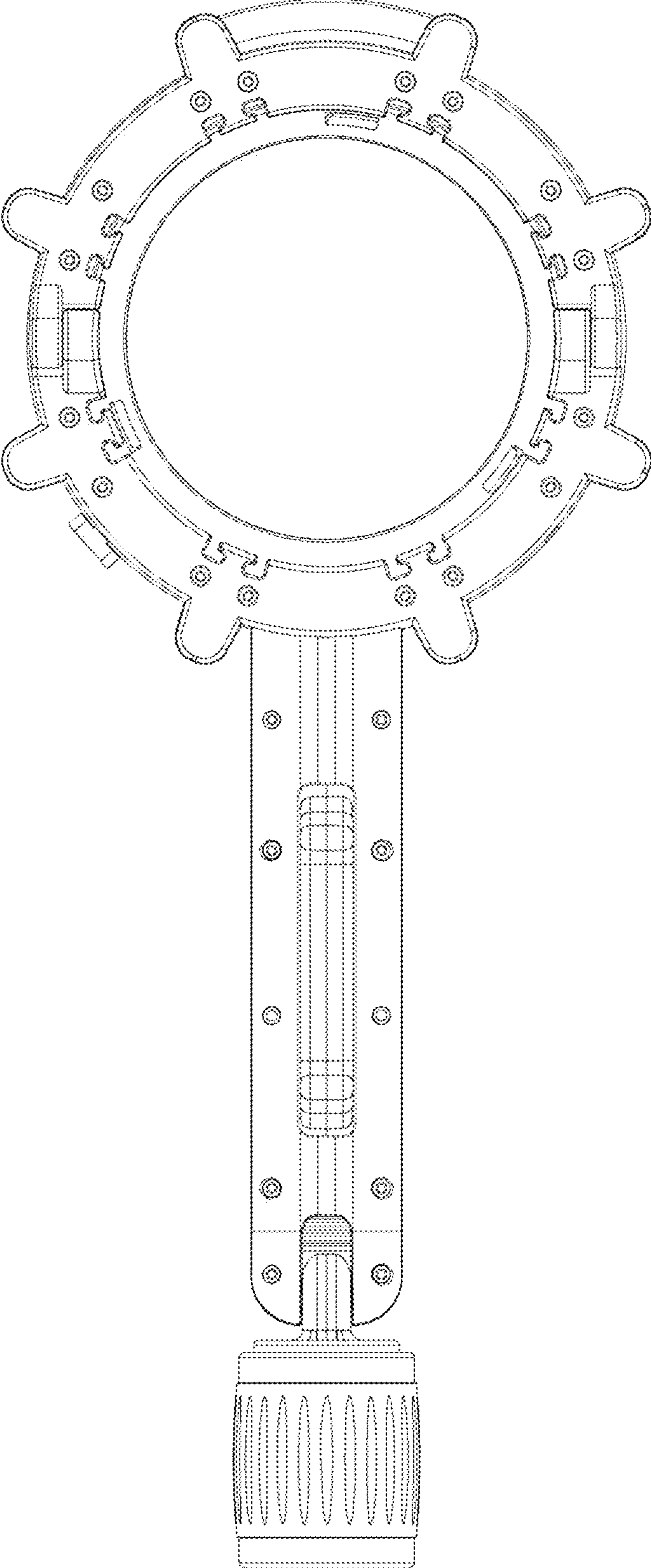


Fig. 1

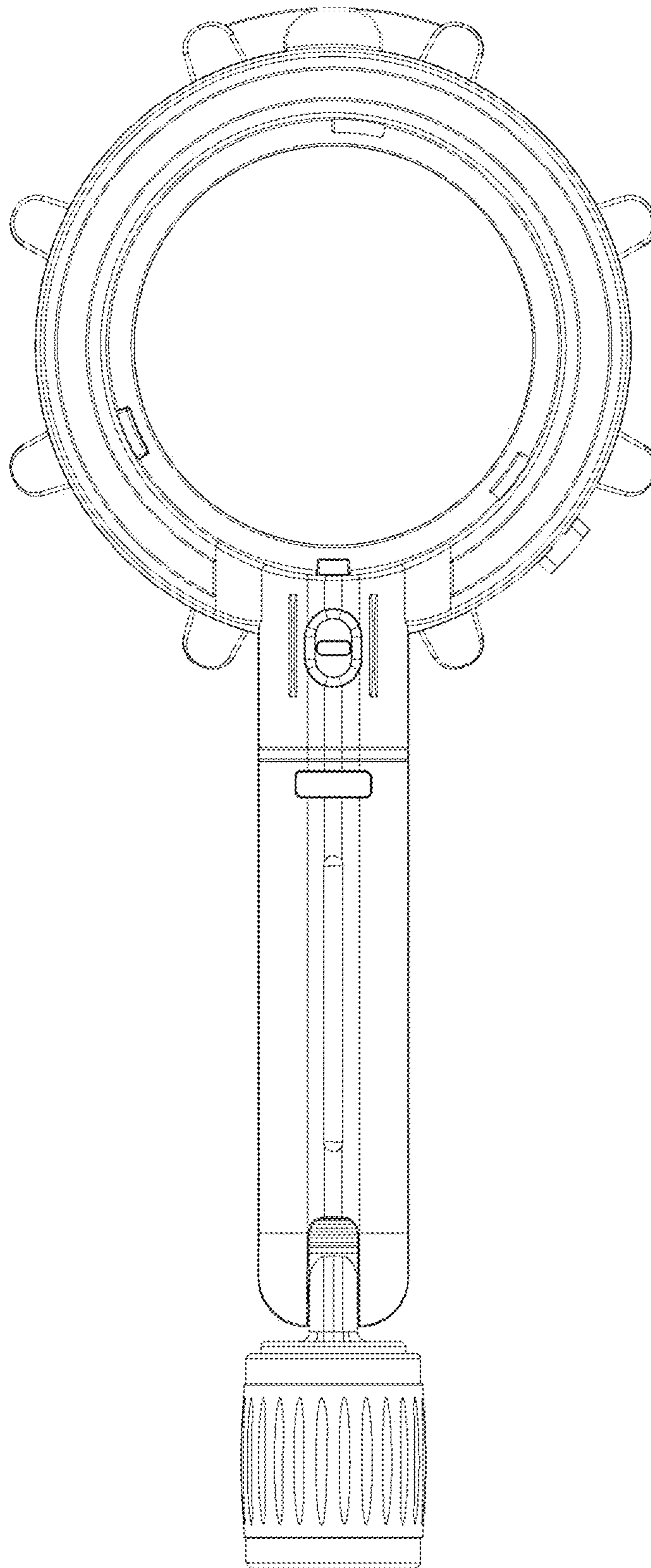


Fig. 2

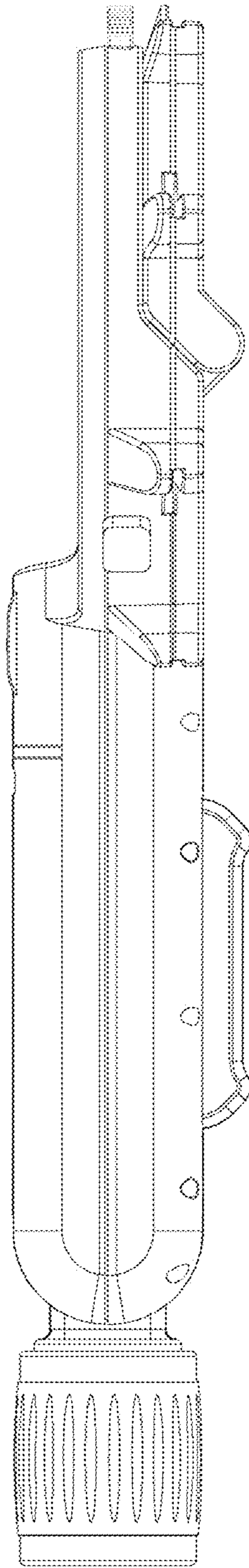


Fig. 3

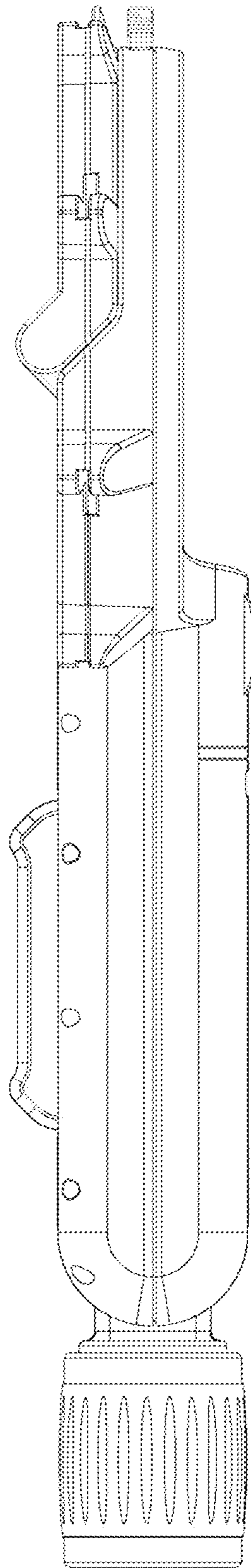


Fig. 4

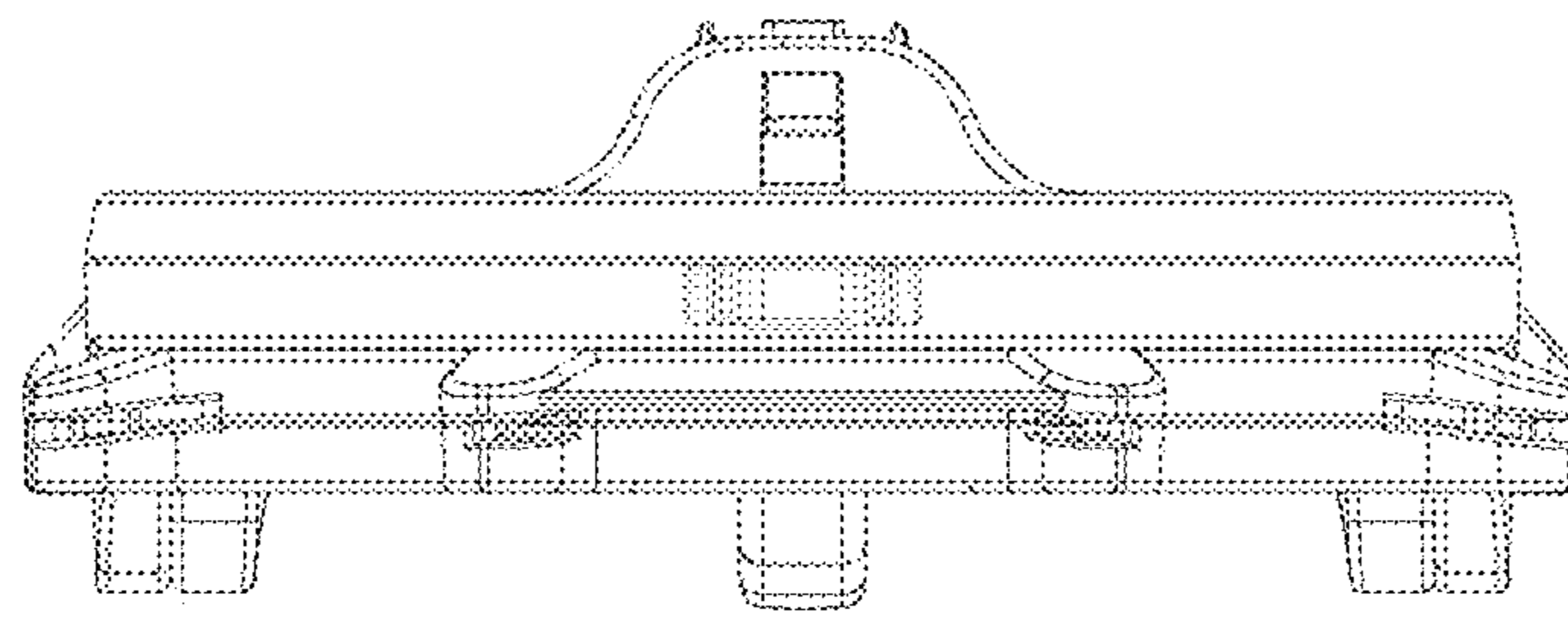


Fig. 5

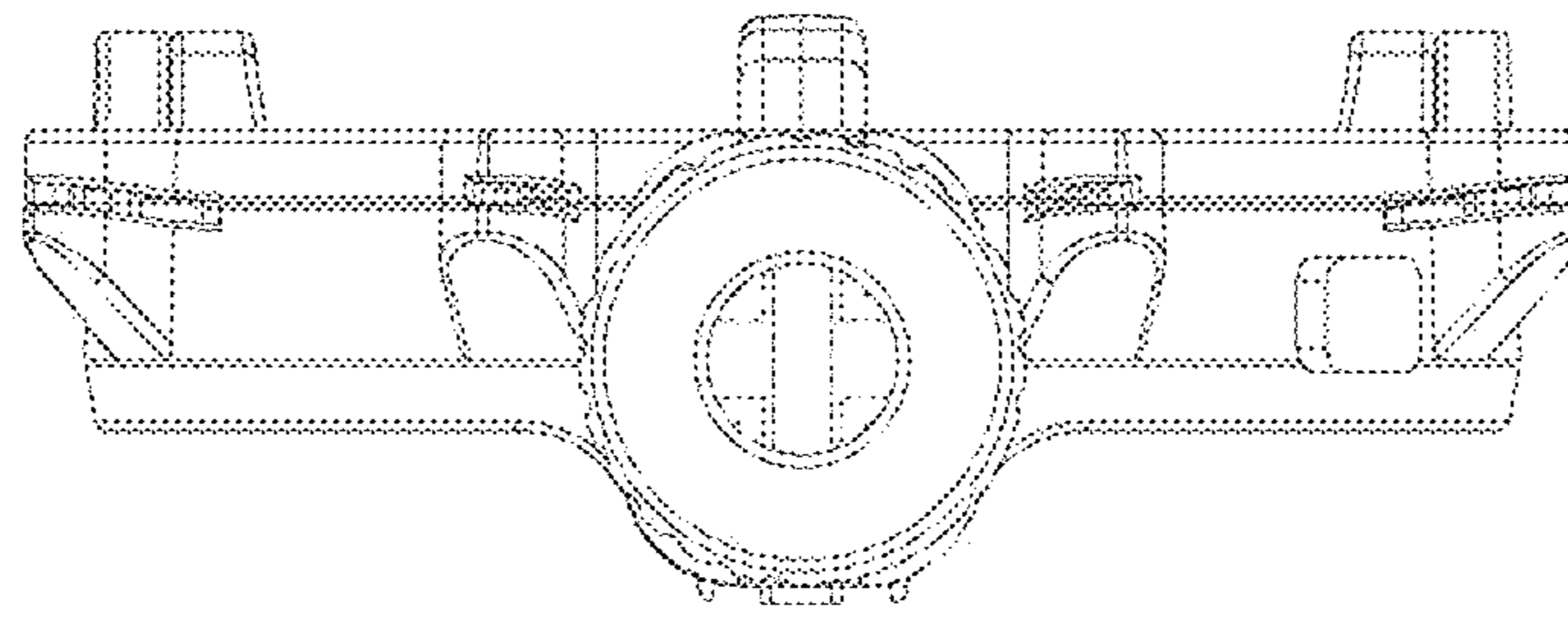


Fig. 6

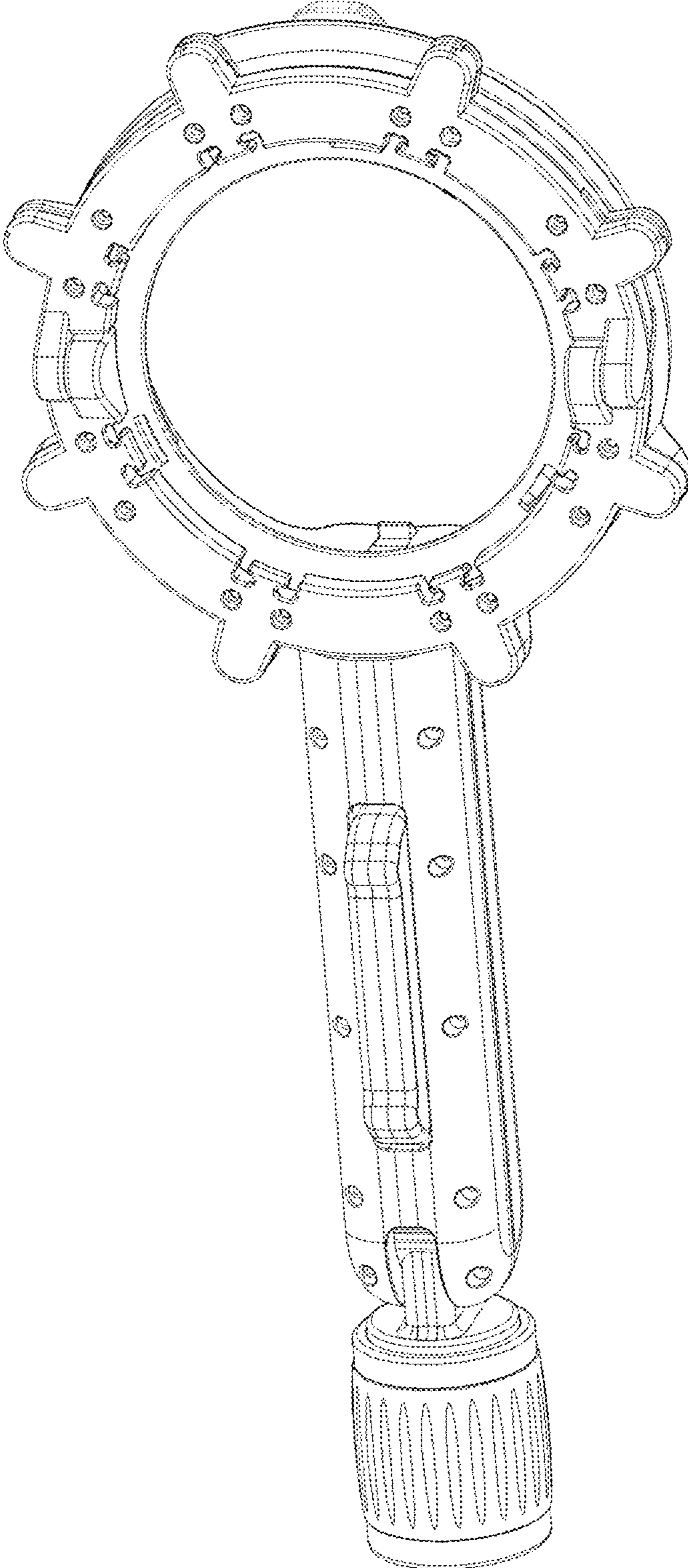


Fig. 7

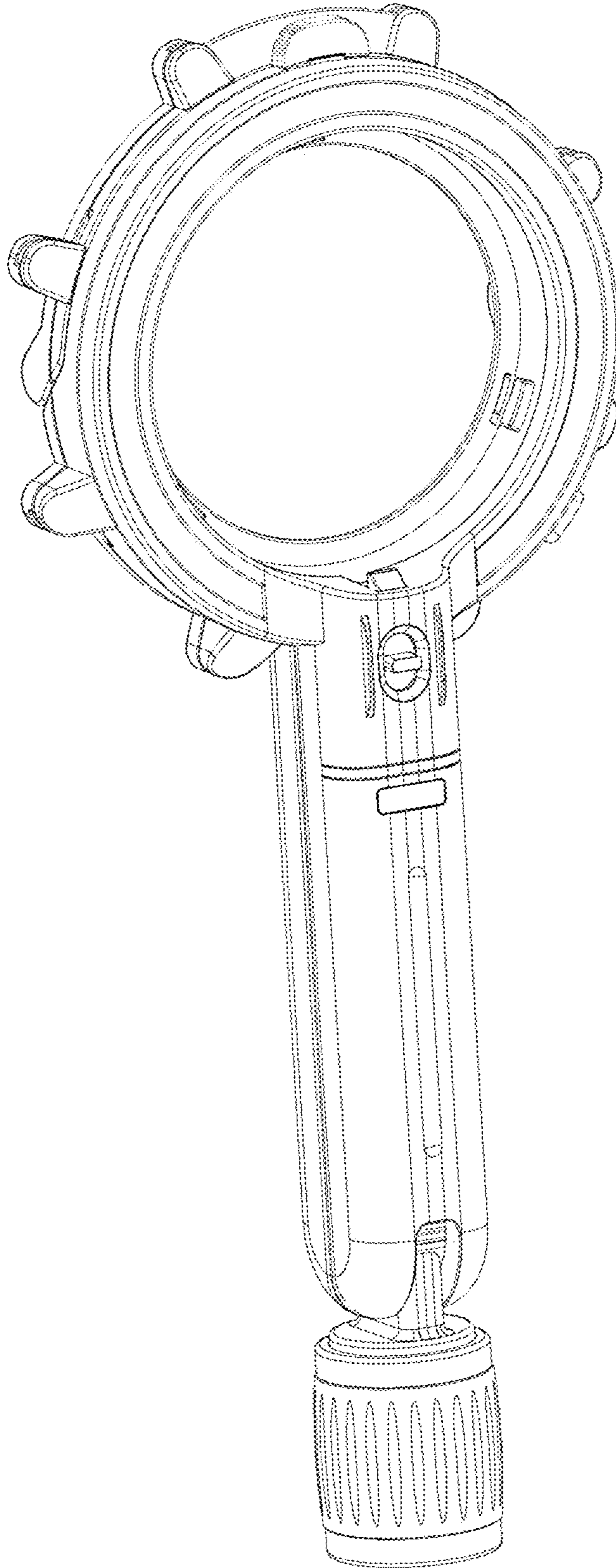


Fig. 8