



US00D951527S

(12) **United States Design Patent** (10) **Patent No.:** **US D951,527 S**
Wu (45) **Date of Patent:** **** May 10, 2022**

(54) **LENS ACCESSORY**
(71) Applicant: **COPLUS INC.**, Tainan (TW)
(72) Inventor: **Po-Hua Wu**, Tainan (TW)
(73) Assignee: **COPLUS INC.**, Tainan (TW)
(**) Term: **15 Years**

D597,705 S * 8/2009 Mitani D26/122
D632,421 S * 2/2011 Vukosic D26/124
D774,686 S * 12/2016 Neufeglise D26/122
D788,832 S * 6/2017 Alles D16/133
D807,569 S * 1/2018 Marcoux D26/120
D844,688 S * 4/2019 Hodgson D16/135
D853,604 S * 7/2019 Ting D26/28
D854,204 S * 7/2019 Ting D26/28
D913,352 S * 3/2021 Flores D16/135
D944,668 * 3/2022 Li D10/70

* cited by examiner

(21) Appl. No.: **29/754,813**
(22) Filed: **Oct. 14, 2020**

Primary Examiner — Richard Kearney
Assistant Examiner — Benjamin M Weeks
(74) *Attorney, Agent, or Firm* — Lewis Roca Rothgerber
Christie LLP

(30) **Foreign Application Priority Data**

Aug. 27, 2020 (TW) 109304874

(51) **LOC (13) Cl.** **26-05**
(52) **U.S. Cl.**
USPC **D26/122**

(57) **CLAIM**

The ornamental design for lens accessory, as shown and described.

(58) **Field of Classification Search**
USPC D16/130, 131, 132, 133, 135;
D22/108–110; D26/28, 120–124
CPC .. F21S 43/00; F21S 43/10; F21S 43/13; F21S
43/14; F21S 43/15
See application file for complete search history.

DESCRIPTION

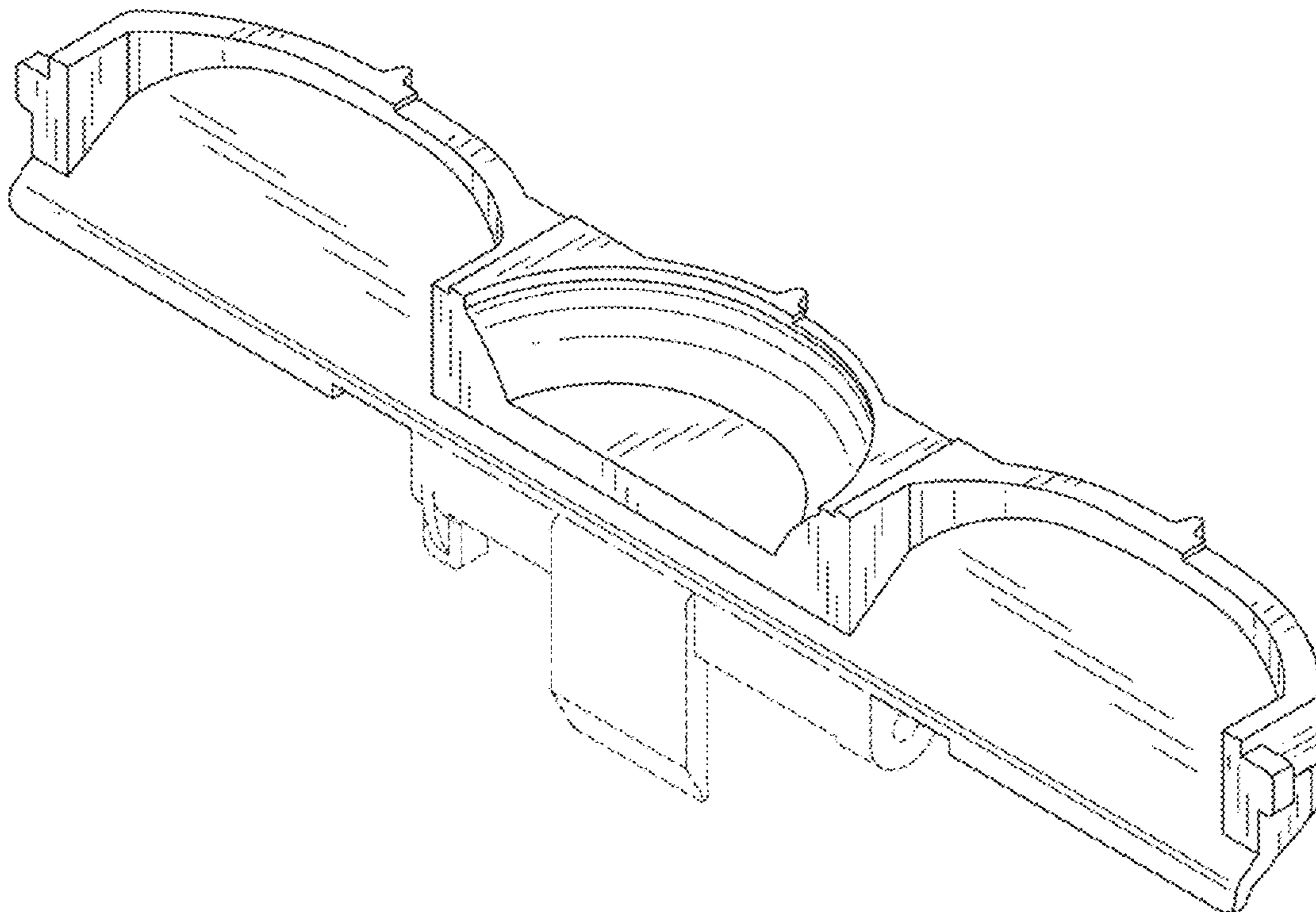
FIG. 1 is a perspective view of the lens accessory;
FIG. 2 is a front view thereof;
FIG. 3 is a rear view thereof;
FIG. 4 is a right side view thereof;
FIG. 5 is a left side view thereof;
FIG. 6 is a top view thereof; and,
FIG. 7 is a bottom view thereof.
The broken lines in the drawings depict portions of the article that form no part of the claimed design.

(56) **References Cited**

U.S. PATENT DOCUMENTS

D135,570 S * 4/1943 Cadwallader D26/122
4,569,002 A * 2/1986 English F21S 41/00
362/240
4,660,128 A * 4/1987 Bergin B60Q 1/0686
362/462

1 Claim, 4 Drawing Sheets



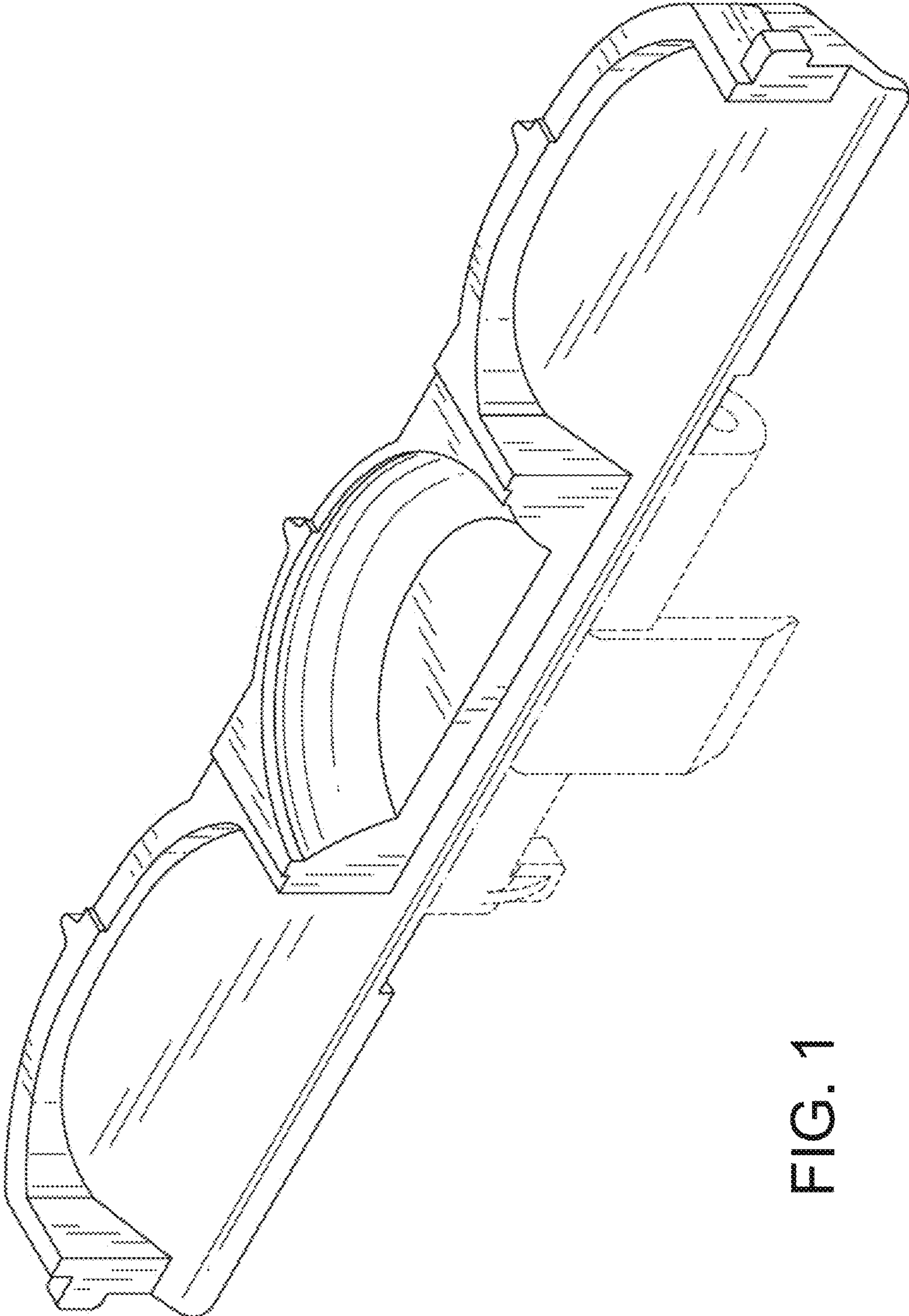


FIG. 1

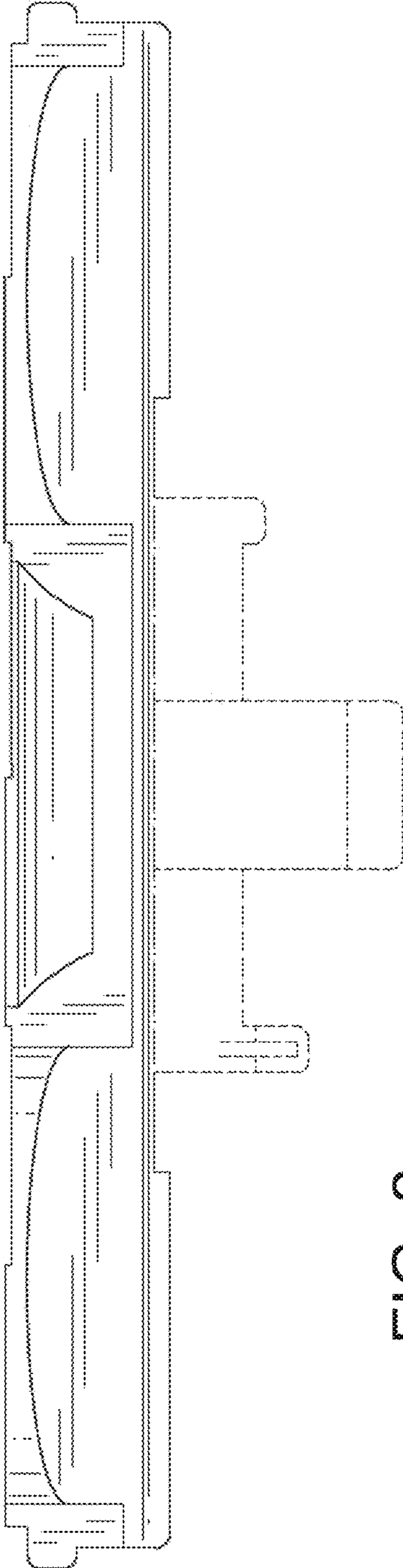


FIG. 2

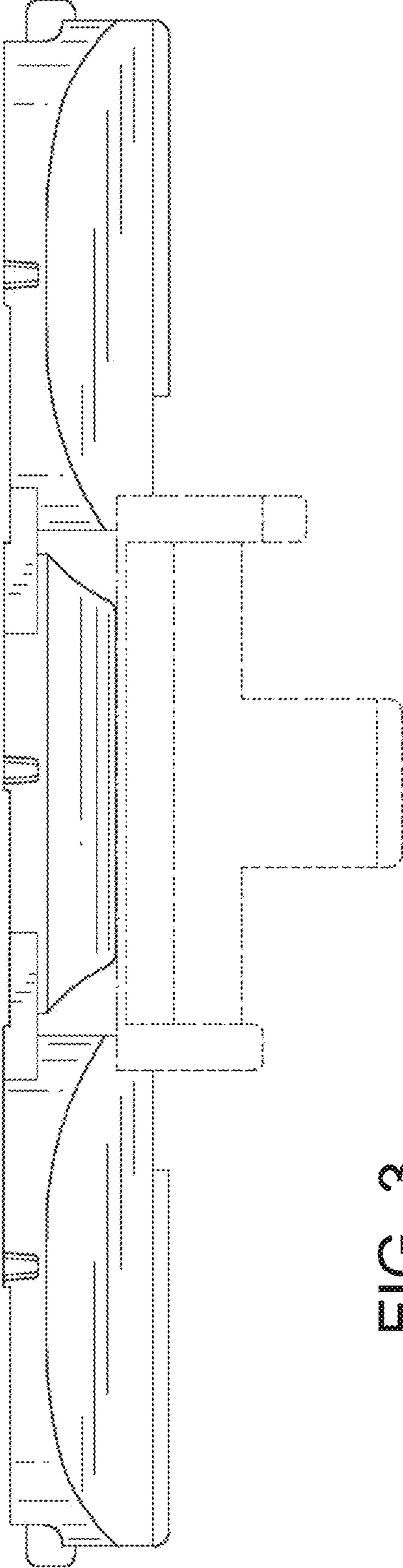


FIG. 3

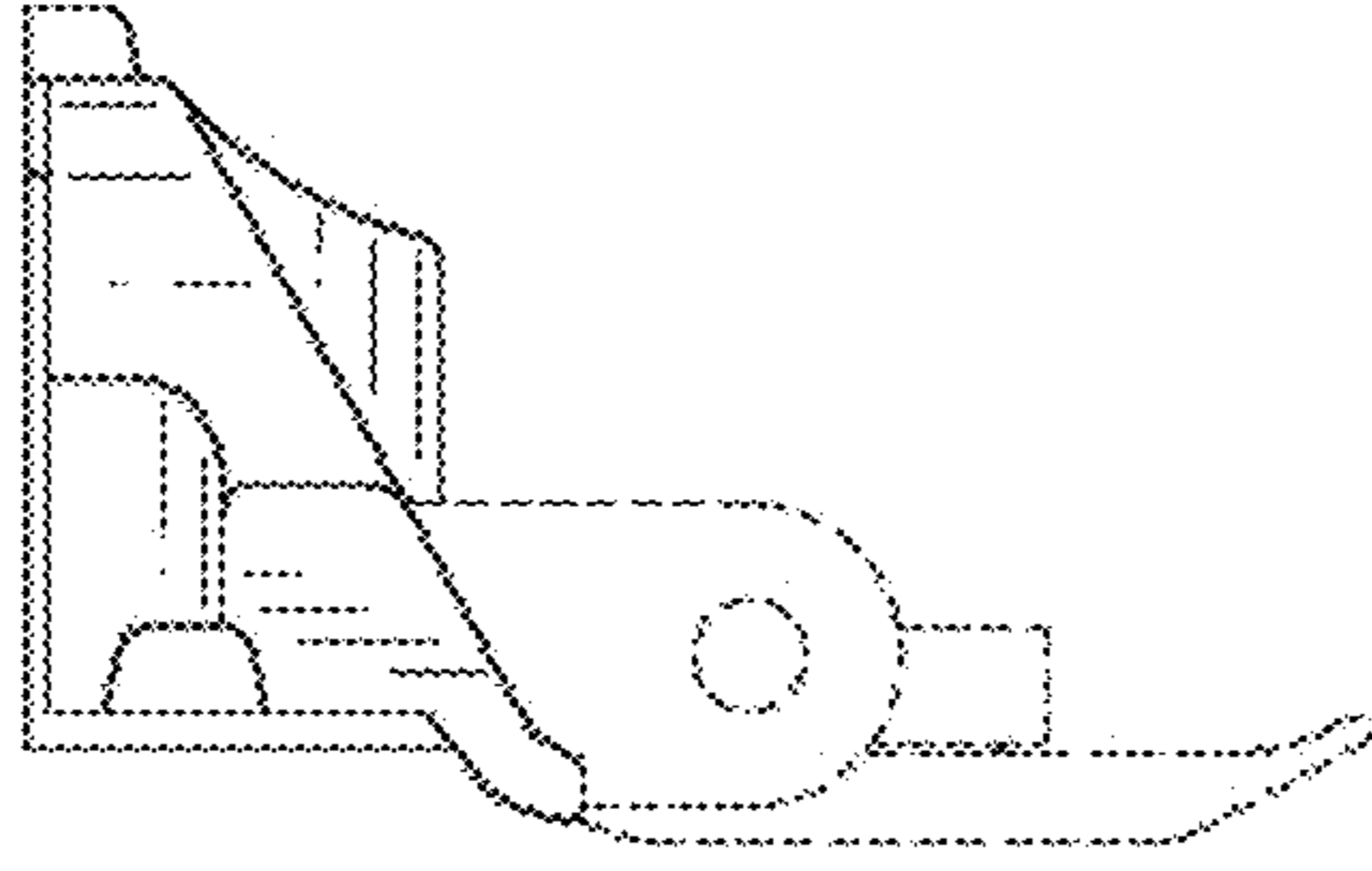


FIG. 4

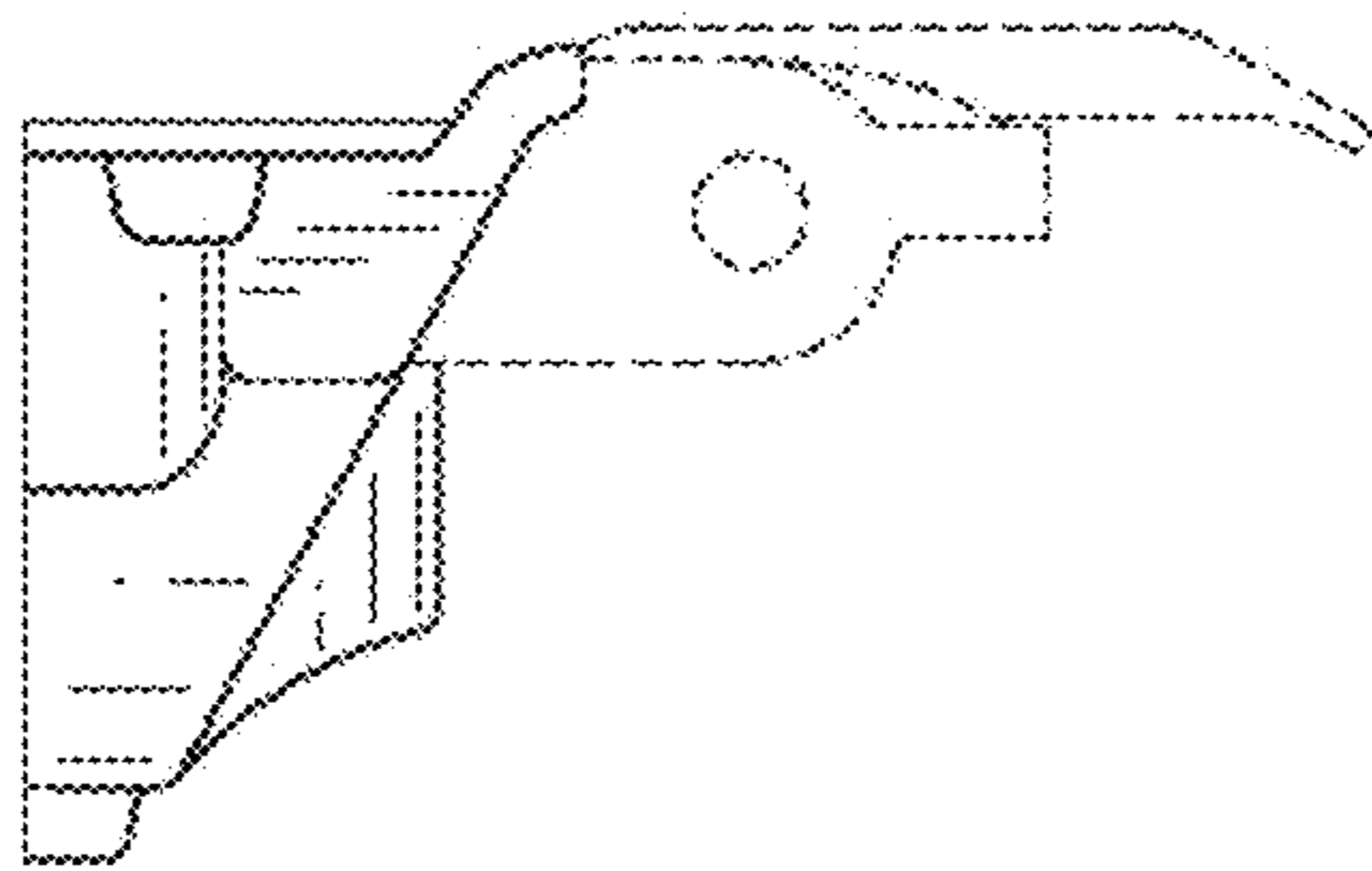


FIG. 5

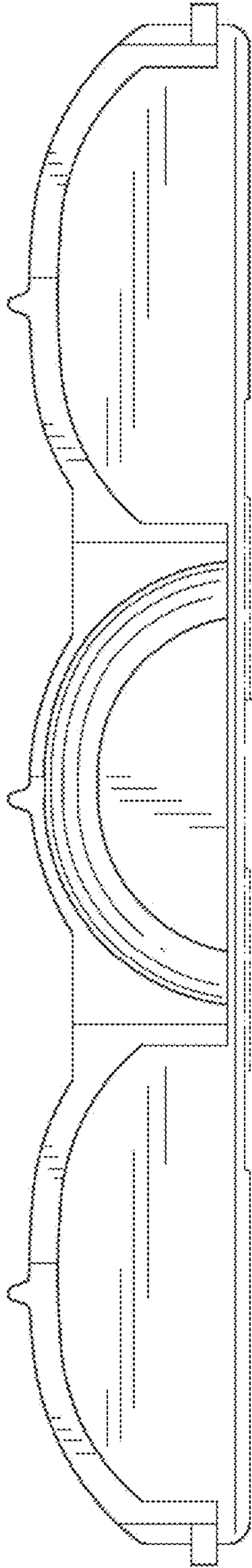


FIG. 6

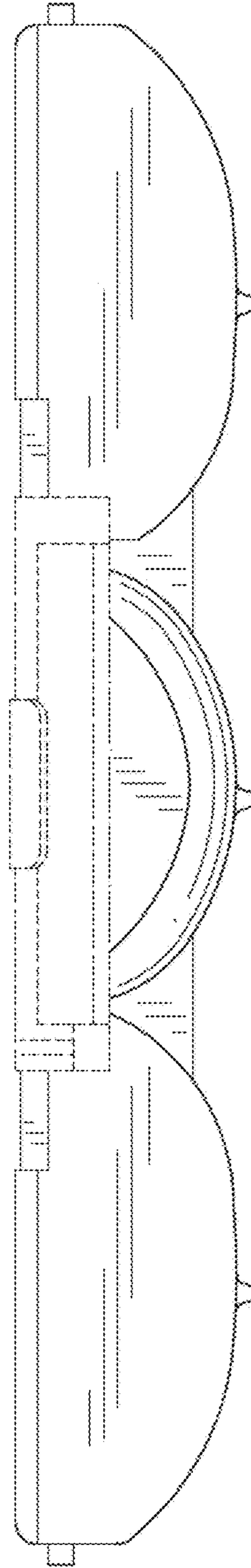


FIG. 7