



US00D951521S

(12) **United States Design Patent** (10) **Patent No.:** **US D951,521 S**
Workman et al. (45) **Date of Patent:** **** May 10, 2022**

(54) **GLOBE LIGHT**

OTHER PUBLICATIONS

- (71) Applicant: **BAREBONES SYSTEMS, LLC**, Salt Lake City, UT (US)
- (72) Inventors: **Robert Emmett Workman**, Morgan, UT (US); **Erik Robert Workman**, Salt Lake City, UT (US); **David Jared Burton**, Payson, UT (US)
- (73) Assignee: **BAREBONES SYSTEMS, LLC**, Salt Lake City, UT (US)
- (**) Term: **15 Years**

Black Diamond Moji Lantern. First Available Nov. 17, 2009. Visited Dec. 3, 2021. [<https://www.amazon.com/Black-Diamond-BD620711BLYLALL1-Moji-Lantern/dp/B00PRQ0094?th=1>] (Year: 2009).*

NoBox Rechargeable Globe LED Lantern Light. First Available Dec. 2, 2019. Visited Dec. 3, 2021. [https://www.amazon.com/NoBox-Rechargeable-Globe-Lantern/dp/B082891L4K?ref=ast_sto_dp] (Year: 2019).*

Shapelights® Indoor & Outdoor Mood Light. First Available Mar. 15, 2019. Visited Dec. 3, 2021. [https://www.amazon.co.uk/Shapelights%C2%AE-Outdoor-Chargeable-Powered-Changing/dp/B07P4F452F/ref=psdc_248562031_t2_B08NDY11DK?th=1] (Year: 2019).*

Glow Products, LED Round Ball Lamp. Mar. 2, 2019. Visited Dec. 3, 2021. [<https://www.amazon.ca/Light-Centerpiece-Round-Lamps-White/dp/B07PCHDB2J>] (Year: 2019).*

(Continued)

- (21) Appl. No.: **29/744,801**
- (22) Filed: **Jul. 31, 2020**
- (51) **LOC (13) Cl.** **26-05**
- (52) **U.S. Cl.**
USPC **D26/110**
- (58) **Field of Classification Search**
USPC D26/1, 24, 72, 83, 85, 86, 89, 110, 118,
D26/120, 124, 128, 131
CPC F21S 8/03; F21S 8/033; F21S 8/036; F21S
8/04; F21S 8/043; F21S 8/046; F21S
8/06; F21S 8/061; F21S 8/063; F21S
8/065

Primary Examiner — Samantha Q Lawrence
Assistant Examiner — Melissa Adriane Santos
 (74) *Attorney, Agent, or Firm* — Morriss O’Bryant
 Compagni Cannon, PLLC

(57) **CLAIM**

The ornamental design for the globe light, as shown and described.

DESCRIPTION

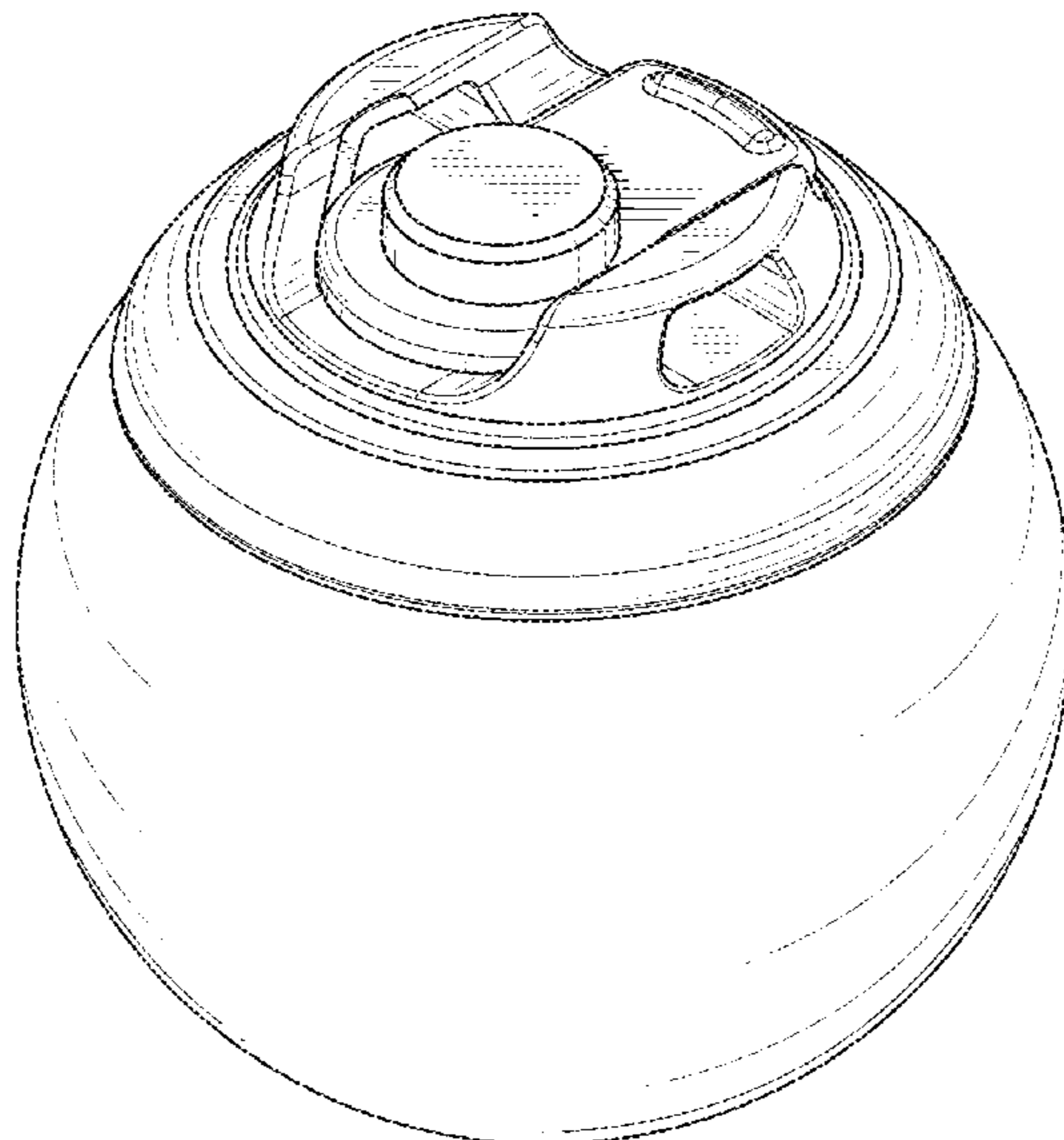
FIG. 1 is a perspective top side view of a globe light of the present invention;
 FIG. 2 is a perspective back side view of the globe light of the present invention;
 FIG. 3 is a front side view of the globe light;
 FIG. 4 is a back side view of the globe light;
 FIG. 5 is a right side view of the globe light;
 FIG. 6 is a left side view of the globe light;
 FIG. 7 is a top side view of the globe light; and,
 FIG. 8 is a bottom side view of the globe light.

(56) **References Cited**

U.S. PATENT DOCUMENTS

D756,541 S	*	5/2016	Lagier	D26/1
D866,828 S	*	11/2019	Pedersen	D26/41
D914,957 S	*	3/2021	Zeng	D26/110
D915,663 S	*	4/2021	Feng	D26/110
D917,774 S	*	4/2021	Wang	D26/110
D925,810 S	*	7/2021	Yi	D26/110
D927,043 S	*	8/2021	Tian	D26/93
D935,683 S	*	11/2021	Garrett	D26/104

1 Claim, 8 Drawing Sheets



(56)

References Cited

OTHER PUBLICATIONS

Monster Smart, Orb Portable LED Light. First Available Unknown. Visited Dec. 3, 2021. [<https://monsterilluminescence.com/product/orb/>] (Year: 2021).*

Ma Kaiqi, LED Lantern. First Available Sep. 21, 2020. Searched Dec. 3, 2021. Questel Serial number of registration 306393665 (Year: 2020).*

* cited by examiner

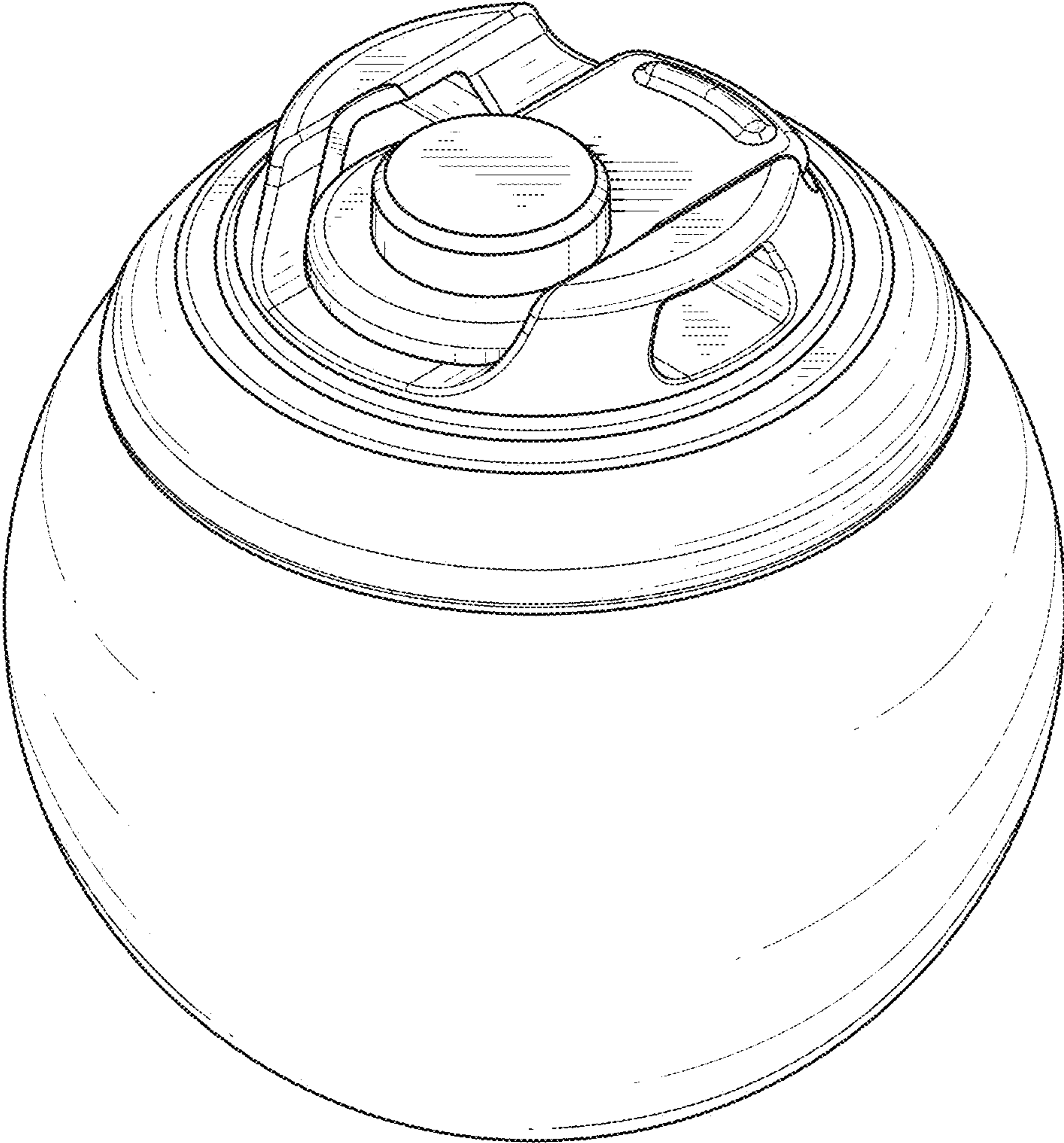


FIG. 1

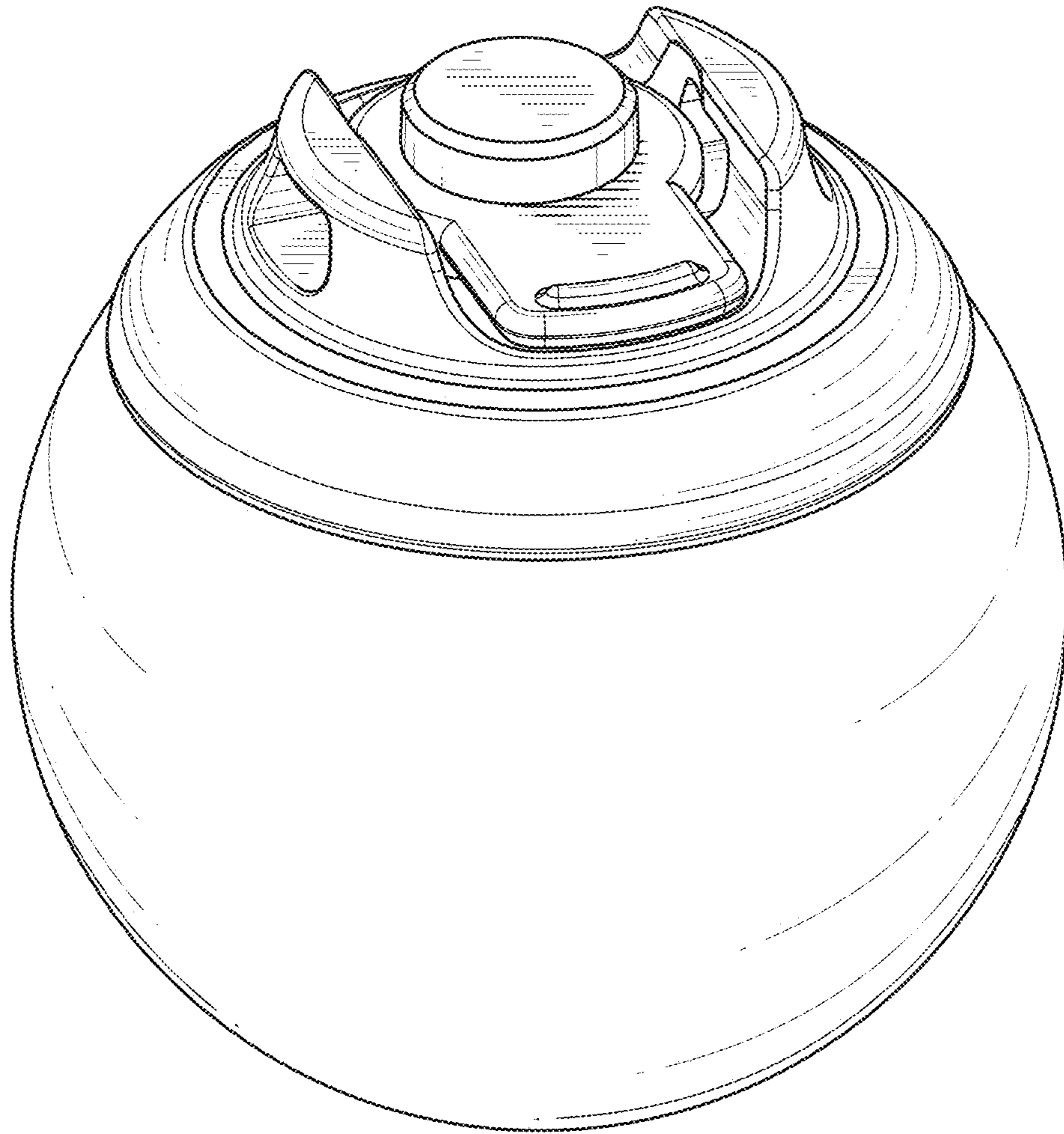


FIG. 2

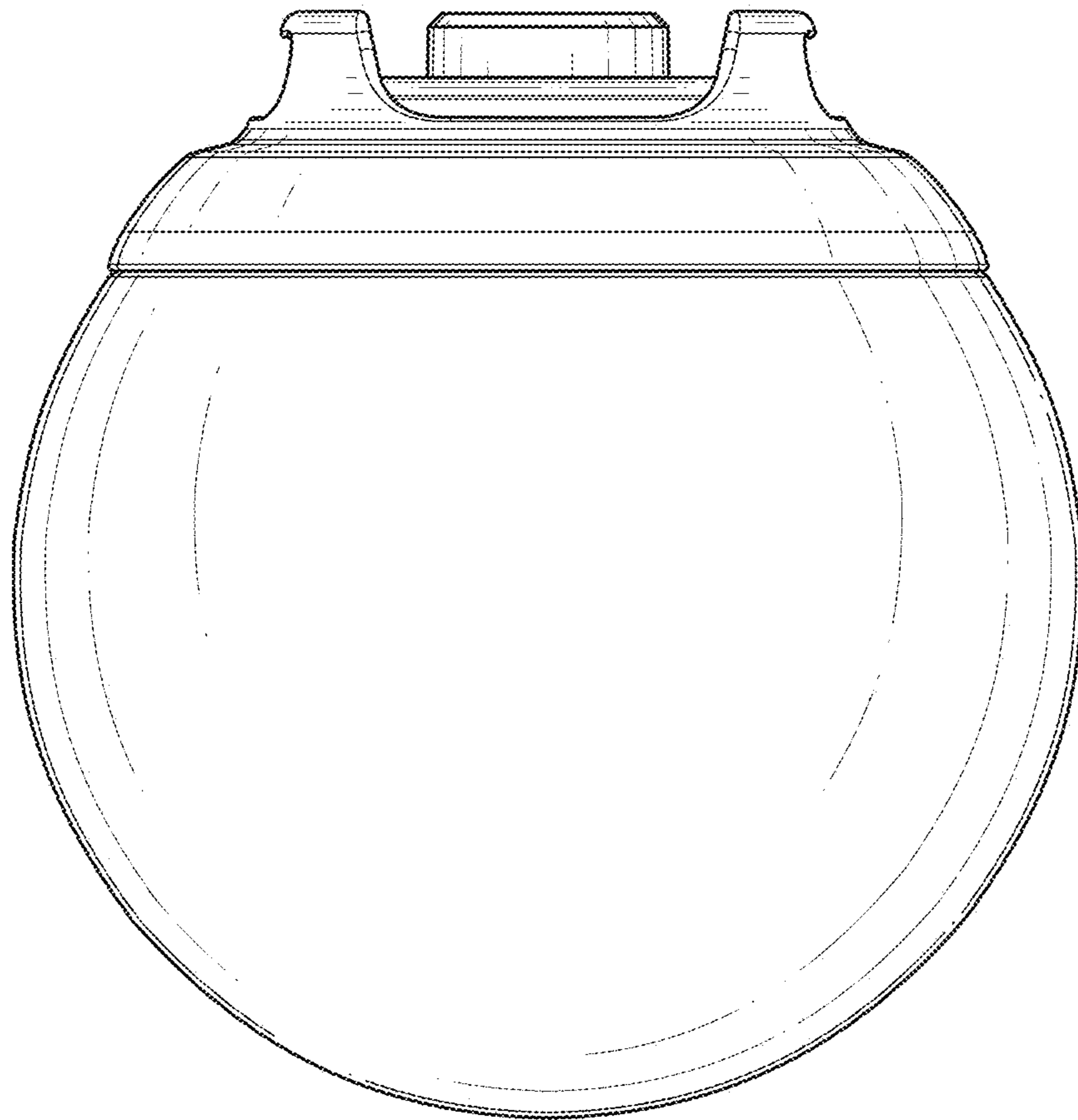


FIG. 3

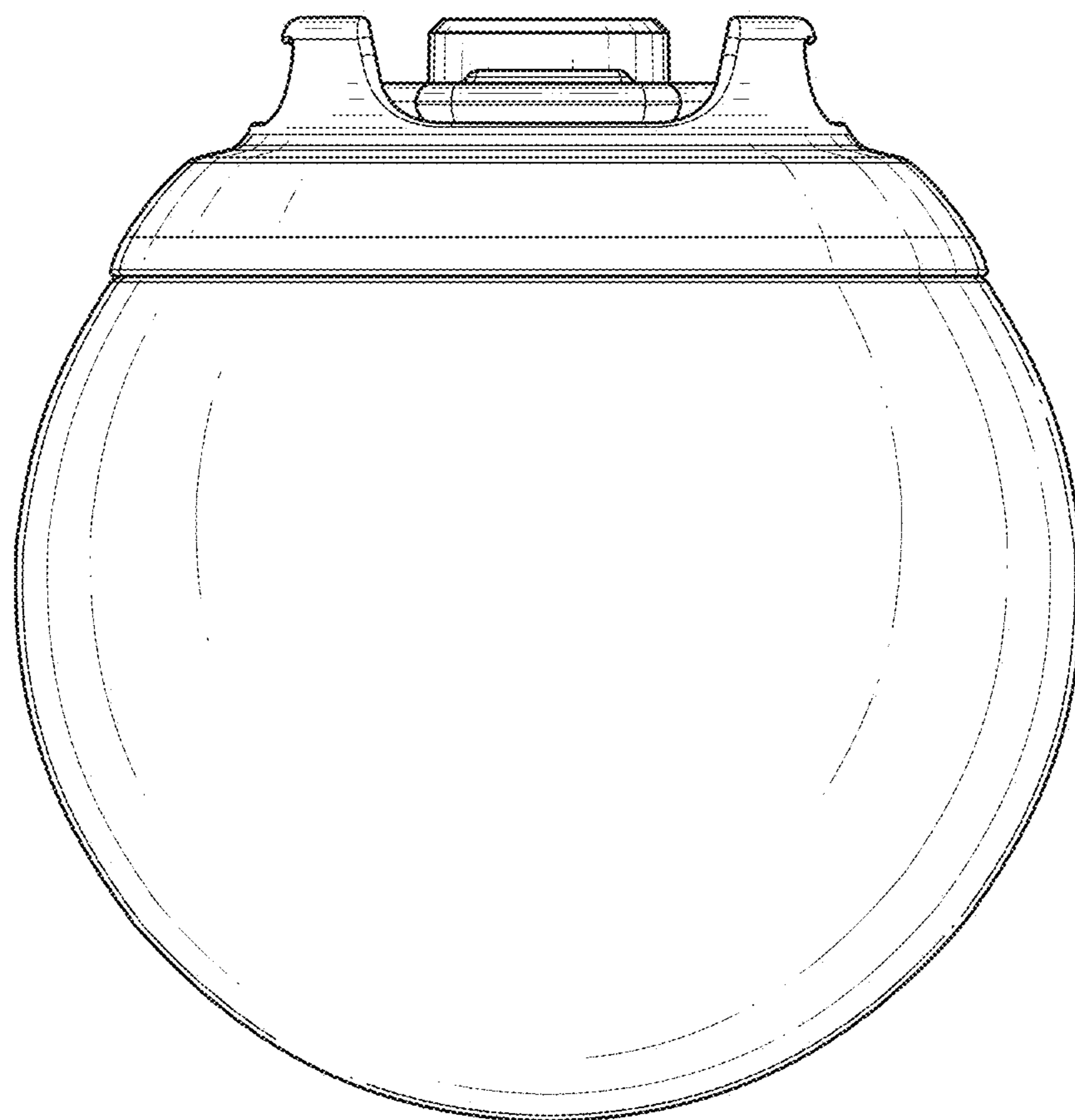


FIG. 4

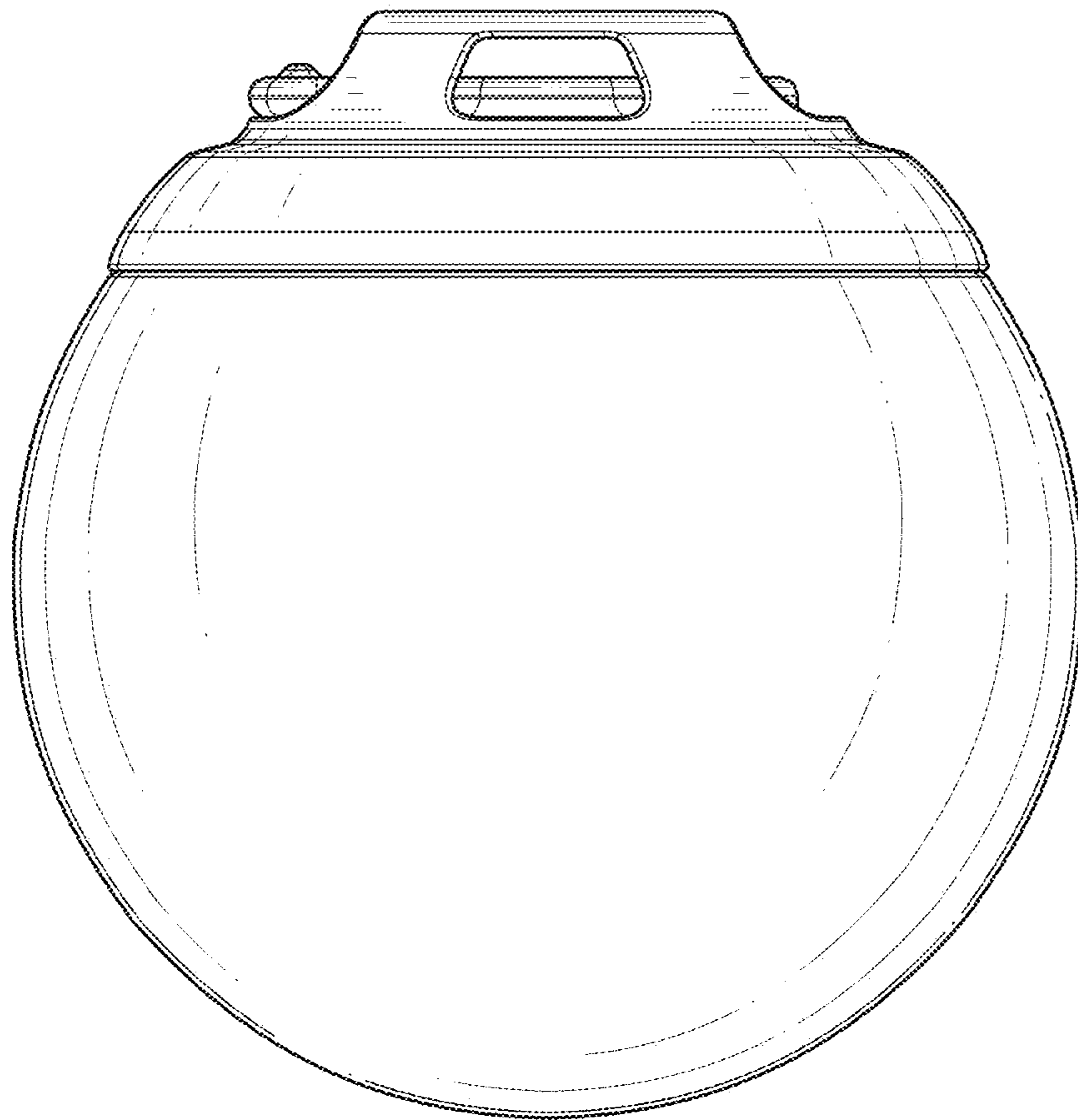


FIG. 5

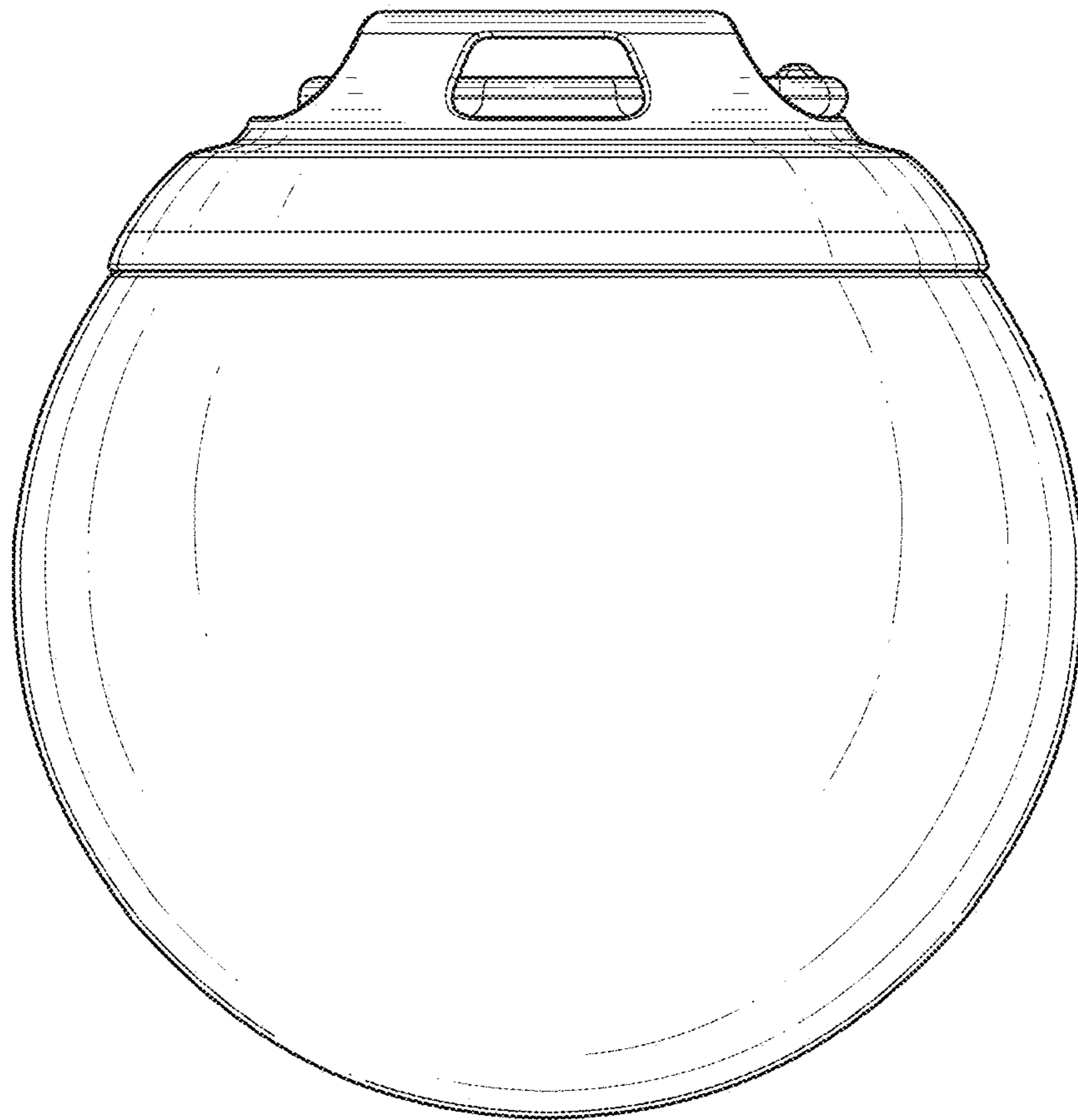


FIG. 6

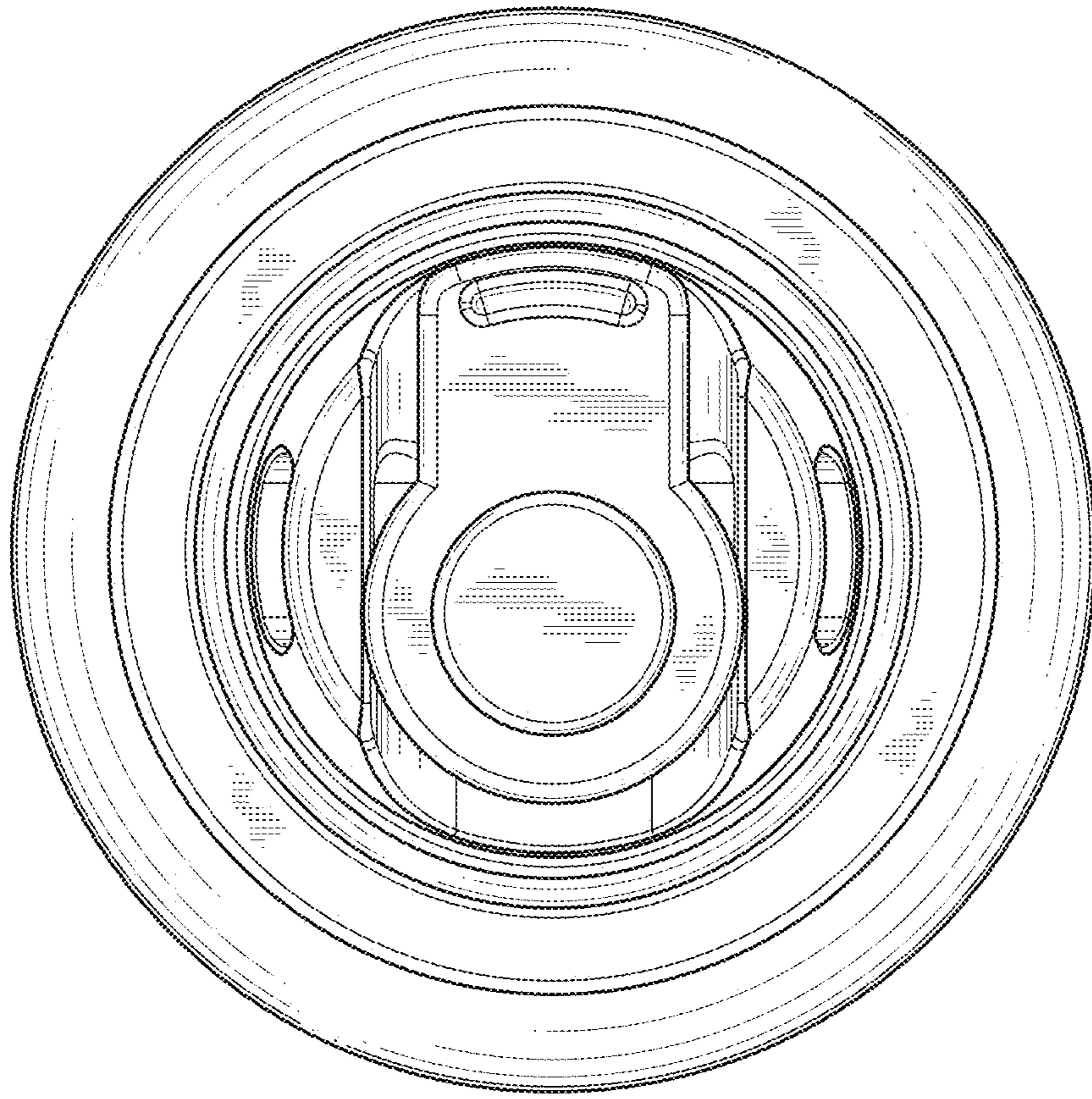


FIG. 7

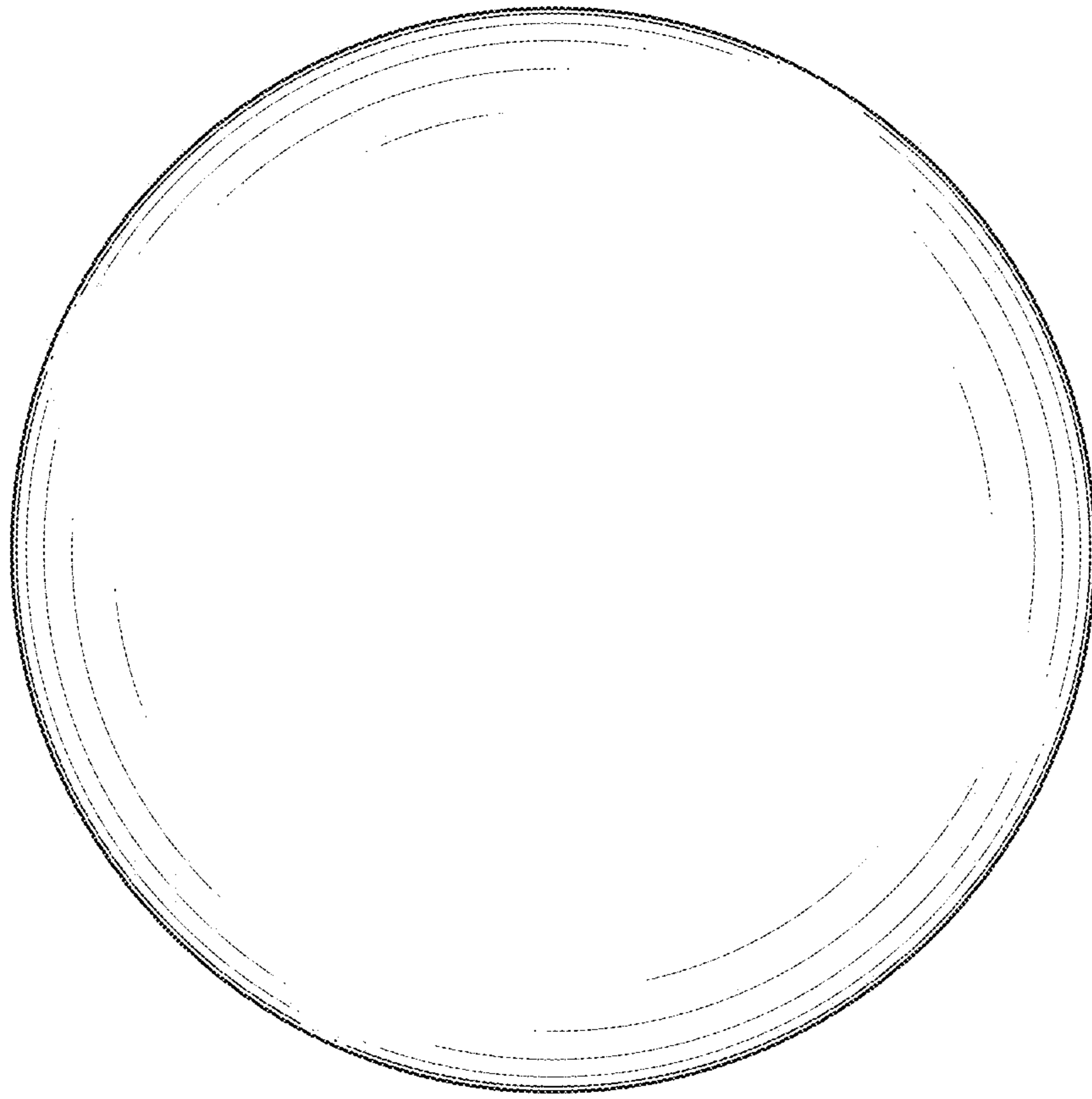


FIG. 8