



US00D951519S

(12) **United States Design Patent** (10) **Patent No.:** **US D951,519 S**
Gan (45) **Date of Patent:** **** May 10, 2022**

(54) **LIGHT FIXTURE**

(71) Applicant: **Jianzhu Gan**, Foshan (CN)

(72) Inventor: **Jianzhu Gan**, Foshan (CN)

(**) Term: **15 Years**

(21) Appl. No.: **29/799,097**

(22) Filed: **Jul. 13, 2021**

(51) **LOC (13) Cl.** **26-05**

(52) **U.S. Cl.**
USPC **D26/88**

(58) **Field of Classification Search**

USPC D26/72, 80-82, 84-90, 92, 118

CPC F21S 8/04; F21S 8/043; F21S 8/046; F21S
8/06; F21S 8/061; F21S 8/063; F21S
8/065; F21S 8/066; F21S 8/068

See application file for complete search history.

(56) **References Cited**

U.S. PATENT DOCUMENTS

3,786,575	A *	1/1974	Riblett	F21S 8/061 34/88
D414,296	S *	9/1999	Trammell	D23/336
D563,025	S *	2/2008	Hetfield	D26/88
D611,640	S *	3/2010	Sabernig	D26/63
D659,883	S *	5/2012	Herremans	D26/88
D809,180	S *	1/2018	Oh	D26/88
D818,180	S *	5/2018	Gambrel	D26/88
D819,870	S *	6/2018	Gambrel	D26/88
D855,239	S *	7/2019	Von Zweigbergk	D26/89
D861,227	S *	9/2019	Sonneman	D26/88
D862,773	S	10/2019	Richardson et al.	
D863,649	S *	10/2019	Wellens	D26/88
D865,266	S *	10/2019	De Bevilacqua	D26/90
D869,734	S *	12/2019	Babutzka	D26/88
D882,150	S *	4/2020	Pi	D26/88
D893,085	S *	8/2020	Tang	D26/88

D896,434	S *	9/2020	Probyn	D26/128
D904,666	S	12/2020	Pazula	
2004/0130898	A1 *	7/2004	Orfield	F21V 7/0016 362/346

(Continued)

OTHER PUBLICATIONS

Westinghouse, Glass Mini-Pendant. First available Dec. 7, 2017. Searched Mar. 15, 2022. [https://www.amazon.com/Westinghouse-Lighting-6106500-One-Light-Pendant/dp/B077YBML43/] (Year: 2017).*

(Continued)

Primary Examiner — Samantha Q Lawrence

Assistant Examiner — Melissa Adriane Santos

(74) *Attorney, Agent, or Firm* — Eagle IP Limited;
Jacqueline C. Lui; Jennifer G. Che

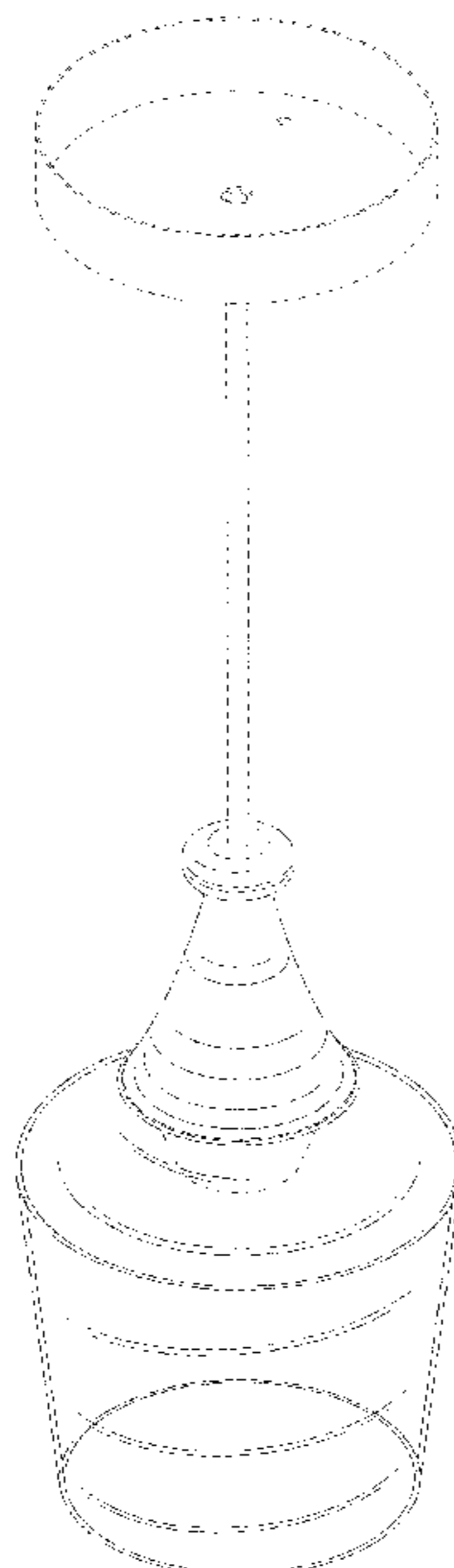
(57) **CLAIM**

An ornamental design for a light fixture, as shown.

DESCRIPTION

FIG. 1 is a perspective view of a light fixture;
FIG. 2 is another perspective view of the light fixture of FIG. 1 thereof;
FIG. 3 is a front view of the light fixture of FIG. 1 thereof;
FIG. 4 is a rear view of the light fixture of FIG. 1 thereof;
FIG. 5 is a left side view of the light fixture of FIG. 1 thereof;
FIG. 6 is a right side view of the light fixture of FIG. 1 thereof;
FIG. 7 is a top view of the light fixture of FIG. 1 thereof; and,
FIG. 8 is a bottom view of the light fixture of FIG. 1 thereof.
The broken lines shown in FIGS. 1-8 illustrate portions of the light fixture that form no part of the claimed design.

1 Claim, 8 Drawing Sheets



(56)

References Cited

U.S. PATENT DOCUMENTS

2011/0242813 A1* 10/2011 Markle F21V 29/713
165/185
2016/0238229 A1* 8/2016 Smitt F21V 29/773
2017/0159918 A1* 6/2017 Yang F21V 23/002

OTHER PUBLICATIONS

Vonluce, Modern Glass Pendant Light. First available Oct. 14, 2019. Searched Mar. 15, 2022. [https://www.amazon.com/dp/B07Z3W4BG/ref=cm_sw_em_r_mt_dp_D0QVDMHJKEPRAM1HS5TC] (Year: 2019).*

Jeenkae, Modern Brass Glass Pendant Lighting. First available Jun. 13, 2019. Searched Mar. 15, 2022. [<https://www.amazon.com/dp/B0894J7TDJ>] (Year: 2019).*

Shades of Light, Drake Glass Pendant. First available unknown. Searched Mar. 15, 2022. [<https://www.shadesoflight.com/products/drake-glass-pendant-large>] (Year: 2022).*

Garden Trading, Bloomsbury Pendant Light. First available unknown. Searched Mar. 15, 2022. [<https://www.gardentrading.co.uk/products/bloomsbury-pendant-light-large.html>] (Year: 2022).*

Shades of Light, Fere Pendant. First available unknown. Searched Mar. 15, 2022. [<https://www.shadesoflight.com/products/fere-pendant>] (Year: 2022).*

* cited by examiner

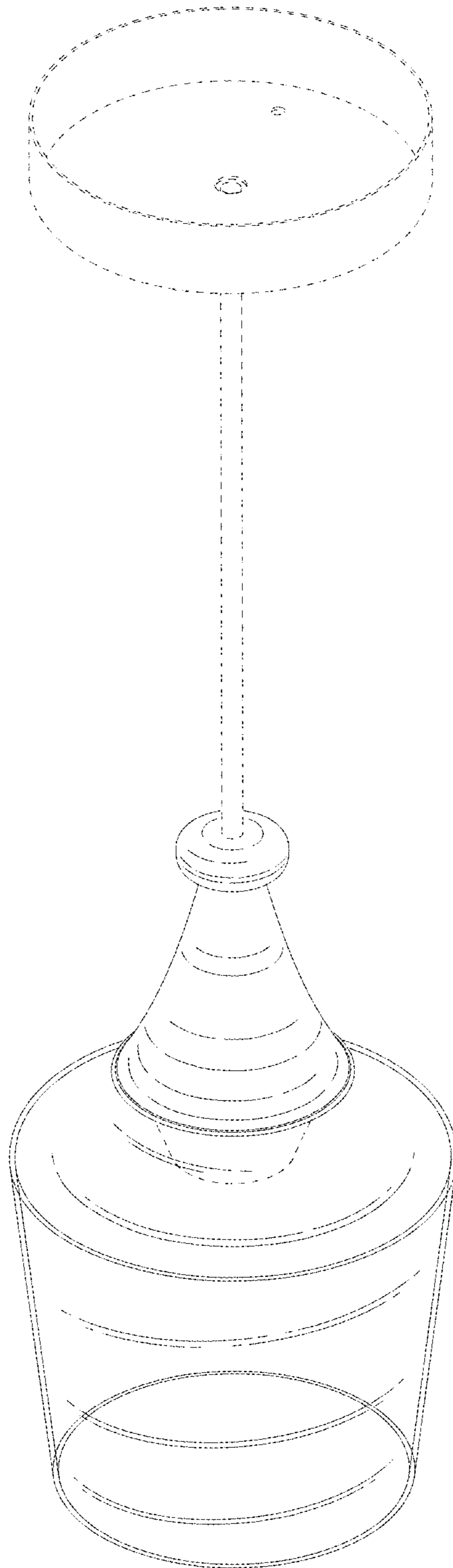


FIG.1

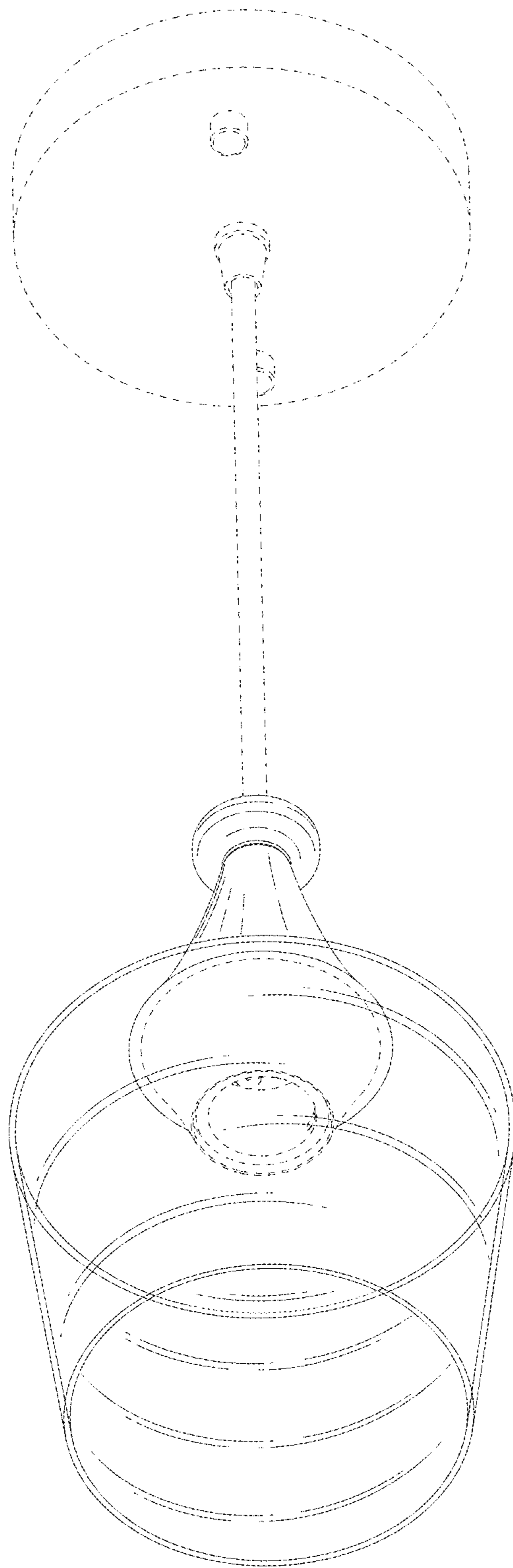


FIG. 2

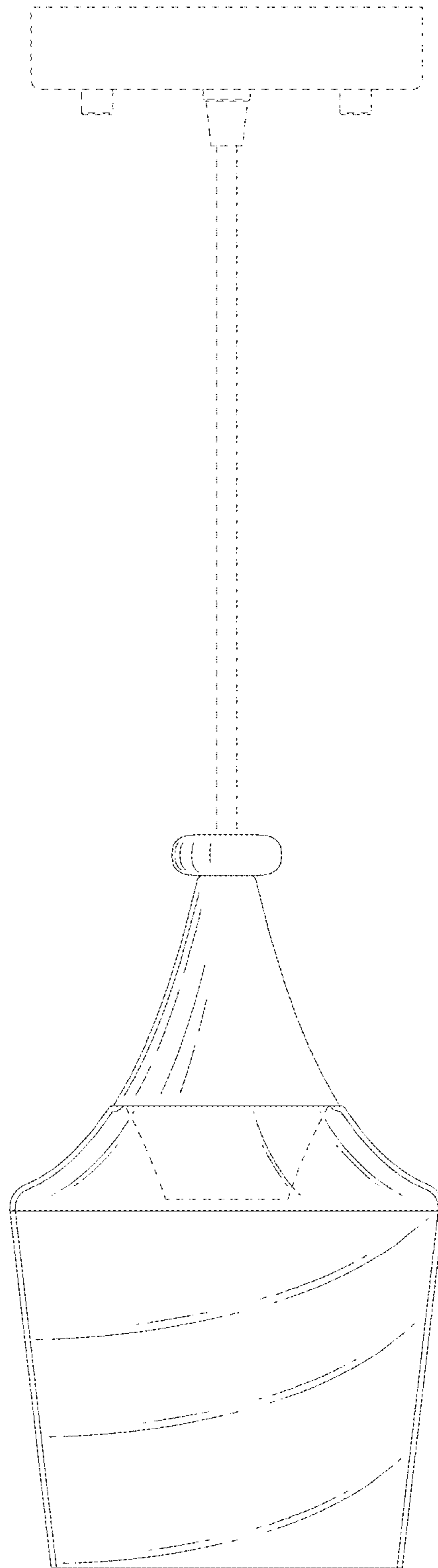


FIG.3

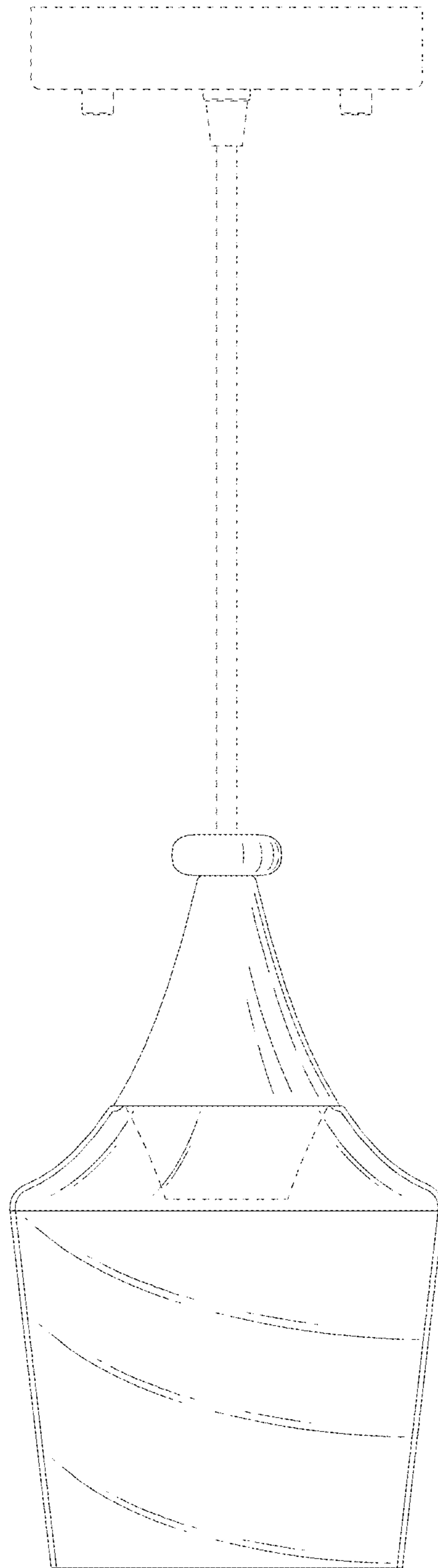


FIG.4

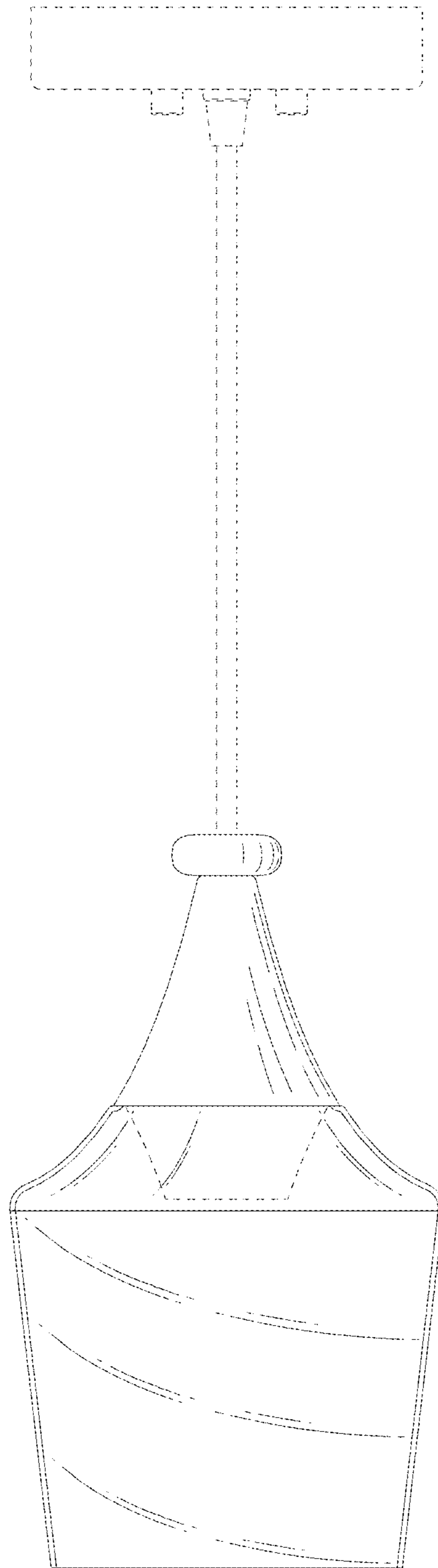


FIG. 5

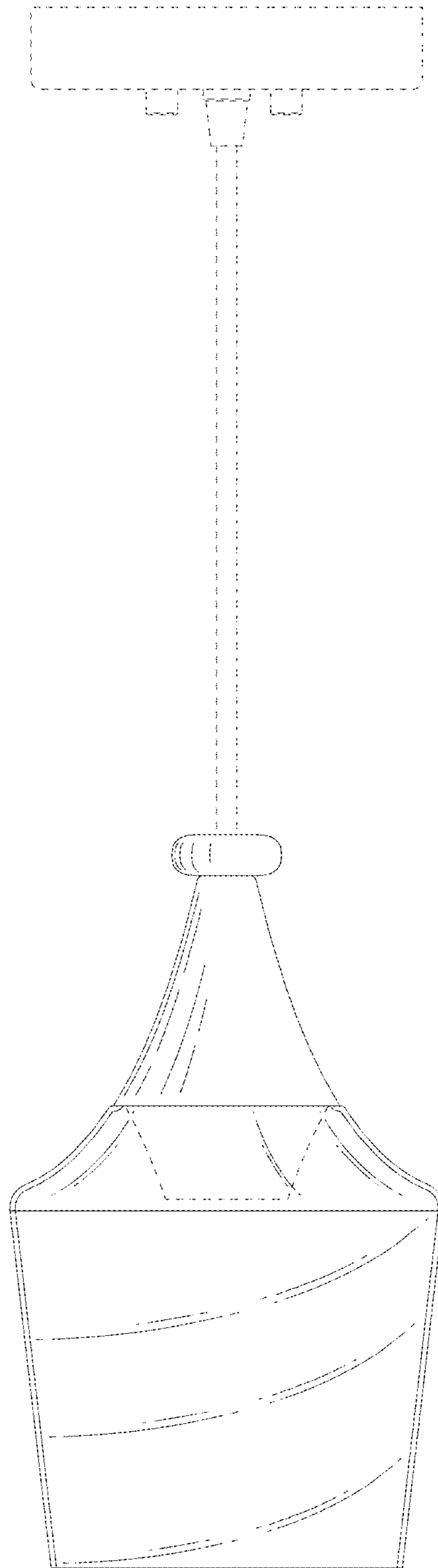


FIG.6

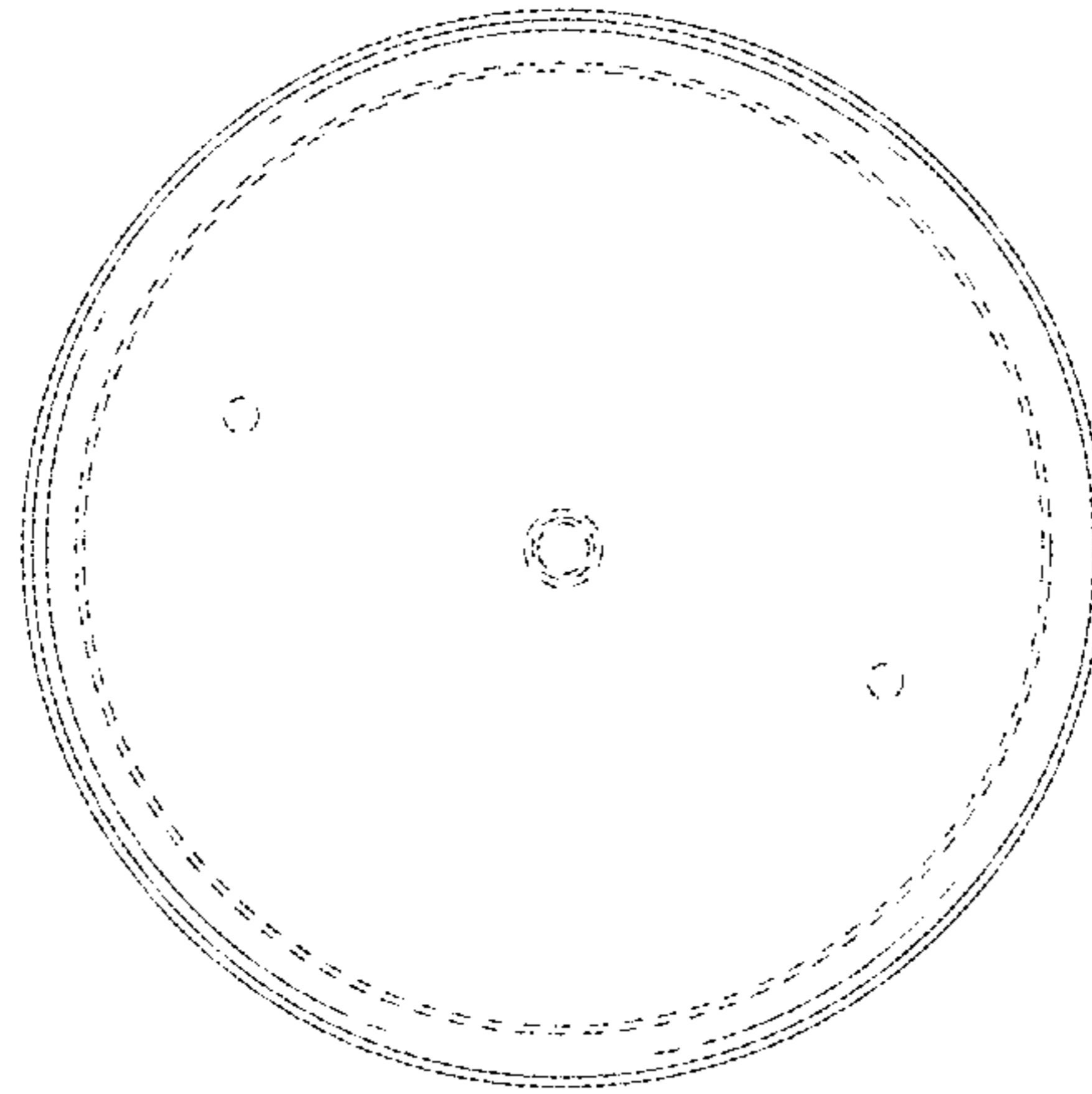


FIG.7

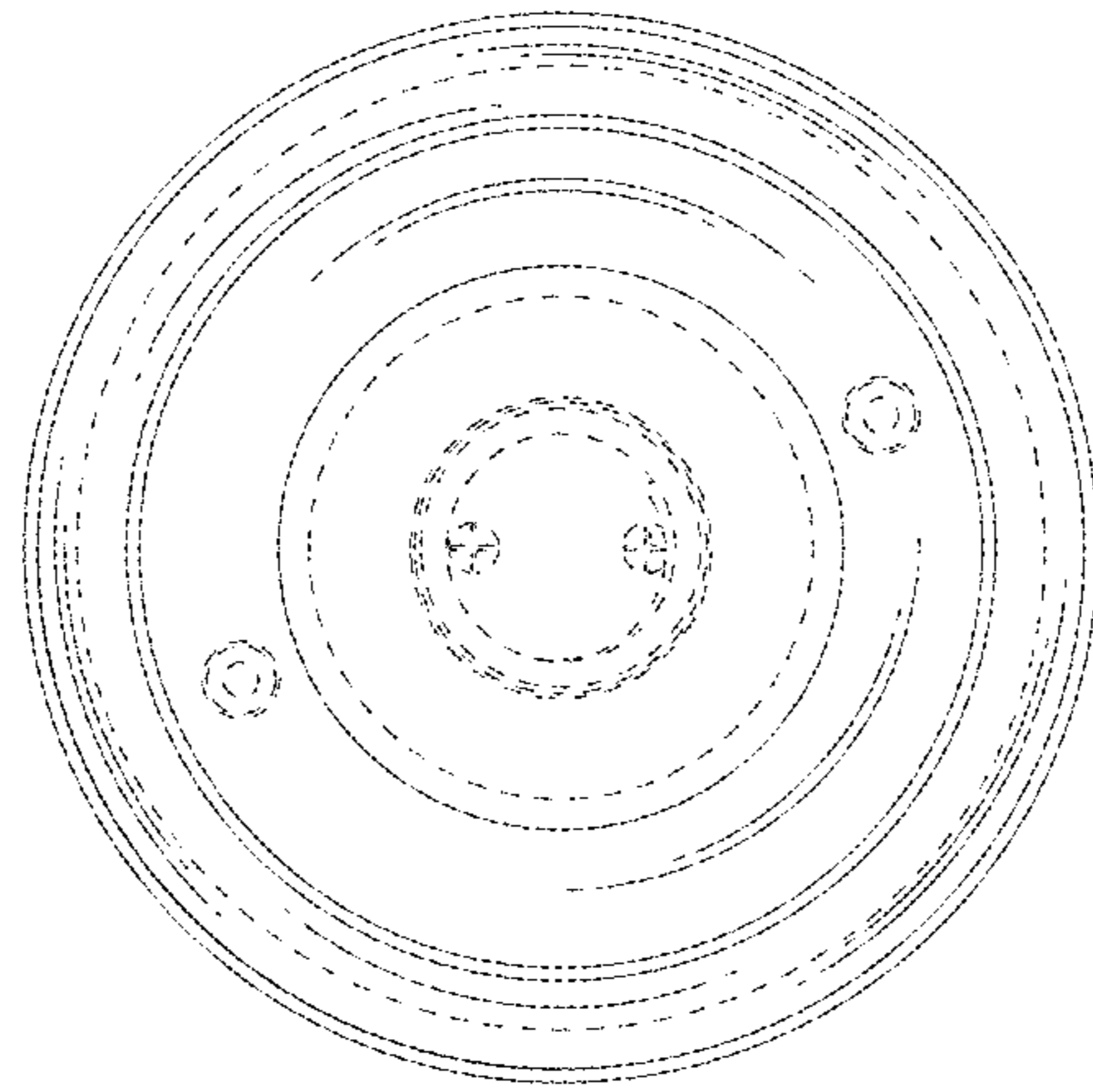


FIG.8