



US00D951514S

(12) **United States Design Patent**
Shen

(10) **Patent No.:** **US D951,514 S**

(45) **Date of Patent:** **** May 10, 2022**

(54) **PLANT LIGHT**

(71) Applicant: **Rusheng Shen**, Anlu (CN)

(72) Inventor: **Rusheng Shen**, Anlu (CN)

(**) Term: **15 Years**

(21) Appl. No.: **29/786,219**

(22) Filed: **May 29, 2021**

(51) **LOC (13) Cl.** **26-04**

(52) **U.S. Cl.**
USPC **D26/76**

(58) **Field of Classification Search**
USPC D26/72, 74, 76, 78-83, 85, 86, 88, 90,
D26/93, 111, 113, 118-122, 138, 139,
D26/140, 141, 142, 152
CPC F21S 2/00; F21S 4/00; F21S 4/003; F21S
4/005; F21S 4/006; F21S 4/007; F21S
4/008; F21S 6/00; F21S 8/00; F21S
8/024; F21S 8/026; F21S 8/031; F21S
8/033; F21S 8/035-037; F21S 8/04; F21S
8/043; F21S 8/063
See application file for complete search history.

(56) **References Cited**

U.S. PATENT DOCUMENTS

D122,887 S	*	10/1940	Beals	D26/78
D447,266 S	*	8/2001	Verfuert	D26/76
D640,817 S	*	6/2011	Salessi	D26/63
D732,236 S		6/2015	Reynolds		
D737,498 S		8/2015	Stanley		
D761,477 S	*	7/2016	Guercio	D26/76
D804,077 S	*	11/2017	Ma	D26/76
D814,682 S	*	4/2018	Lu	D26/76
D869,731 S	*	12/2019	Shundong	D26/85

D870,346 S	*	12/2019	Deng	D26/76
D872,340 S	*	1/2020	Chami	D26/78
D877,964 S	*	3/2020	Antony	D26/118
D893,076 S	*	8/2020	Liu	D26/76
D893,077 S	*	8/2020	Liu	D26/76
D893,078 S	*	8/2020	Liu	D26/76
D910,222 S	*	2/2021	Zhang	D26/72
D927,770 S	*	8/2021	Hu	D26/118
D933,876 S	*	10/2021	Lin	D26/118
D934,481 S	*	10/2021	Liu	D26/76
D945,044 S	*	3/2022	Chen	D26/76

* cited by examiner

Primary Examiner — Natasha Vujcic

(74) *Attorney, Agent, or Firm* — Georgi Korobanov

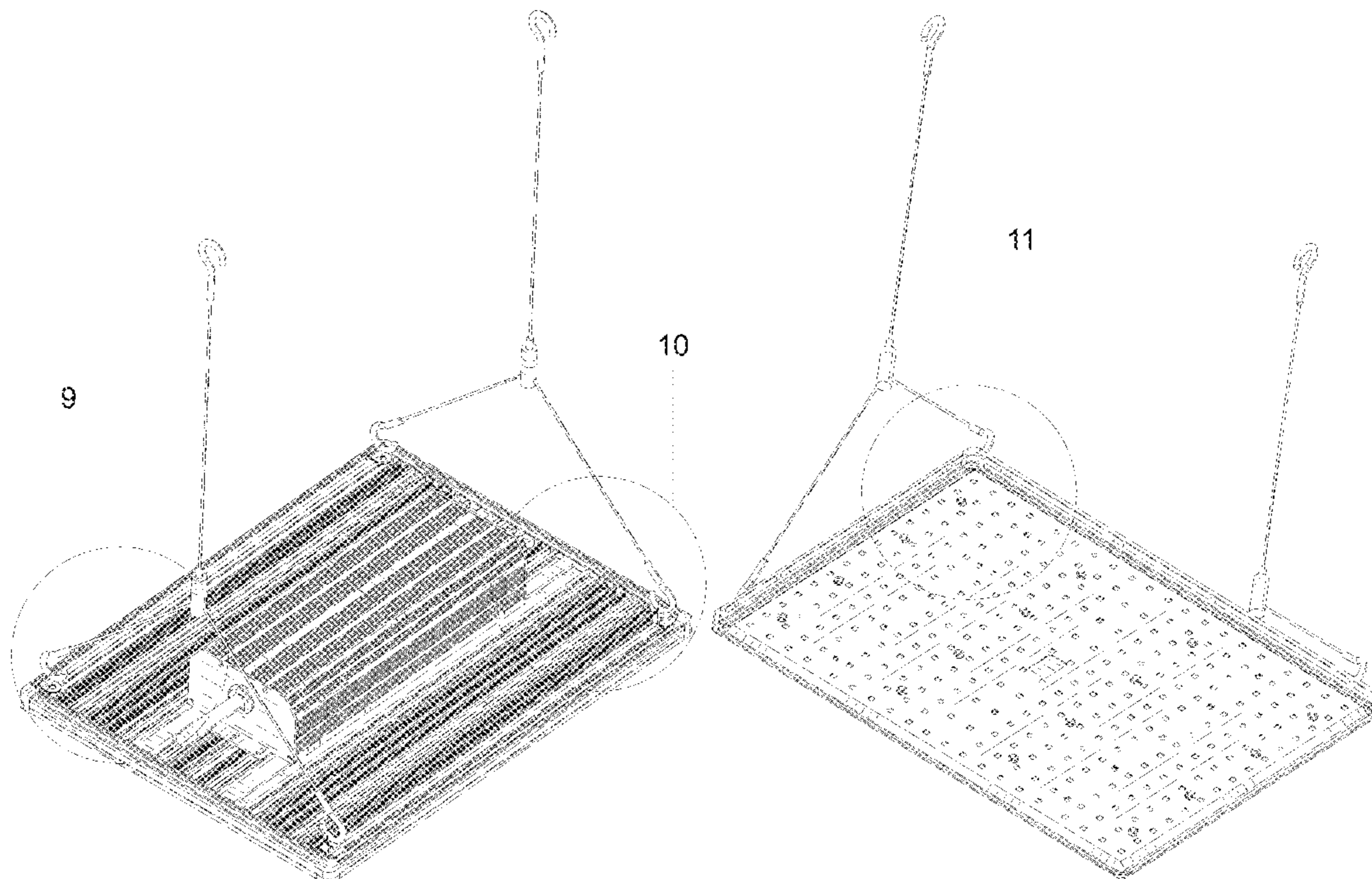
(57) **CLAIM**

The ornamental design for a plant light, as shown and described.

DESCRIPTION

FIG. 1 is a perspective view of a plant light showing my new design;
 FIG. 2 is another perspective view thereof;
 FIG. 3 is a front view thereof;
 FIG. 4 is a rear view thereof;
 FIG. 5 is a left side view thereof;
 FIG. 6 is a right side view thereof;
 FIG. 7 is a top plan view thereof; and
 FIG. 8 is a bottom plan view thereof;
 FIG. 9 is an enlarged view of partial portion of FIG. 1;
 FIG. 10 is an enlarged view of partial portion of FIG. 1; and,
 FIG. 11 is an enlarged view of partial portion of FIG. 2.
 The dashed or broken lines shown in the drawings depict portions of the plant light in which the design is embodied that form no part of the claimed design.

1 Claim, 11 Drawing Sheets



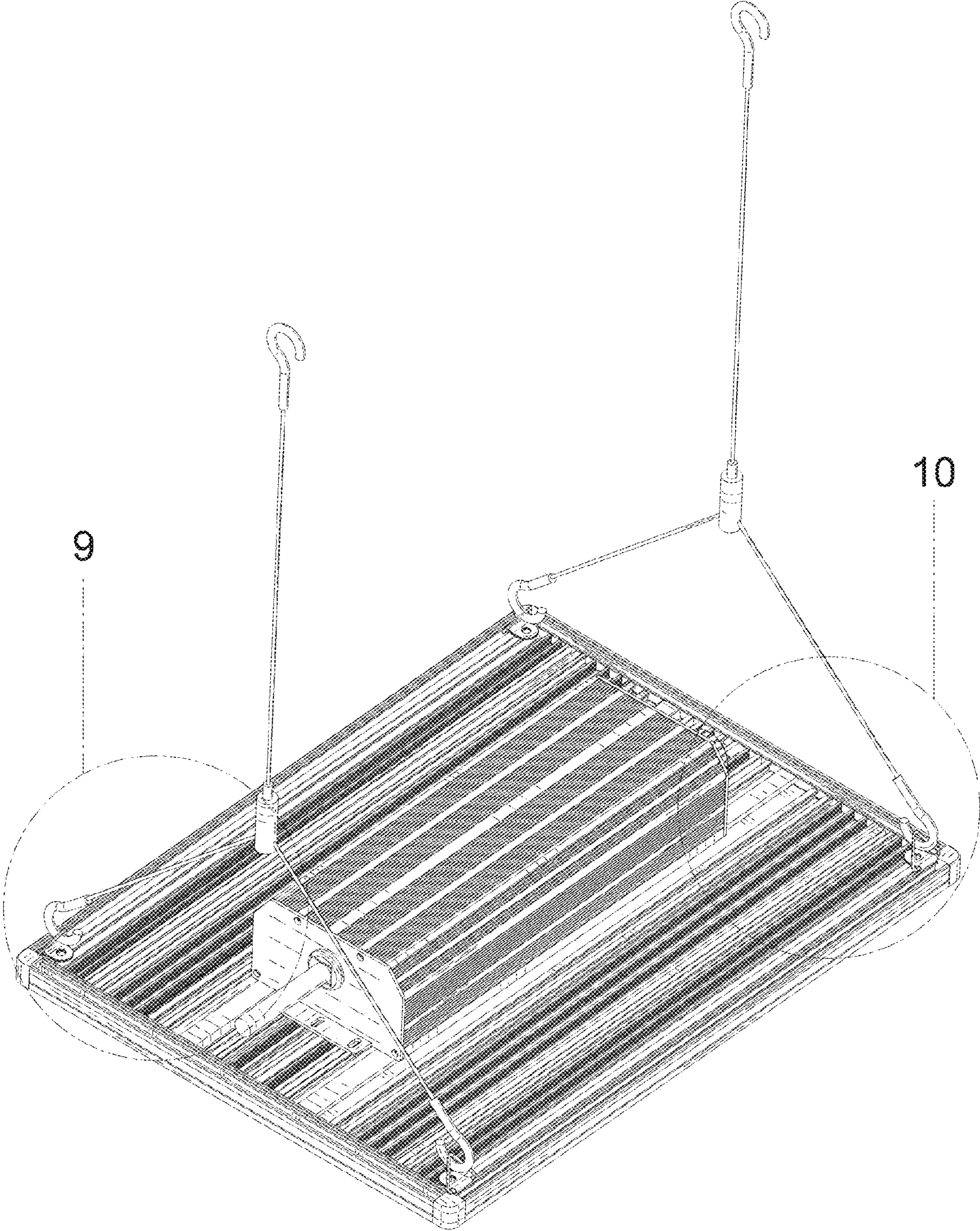


FIG.1

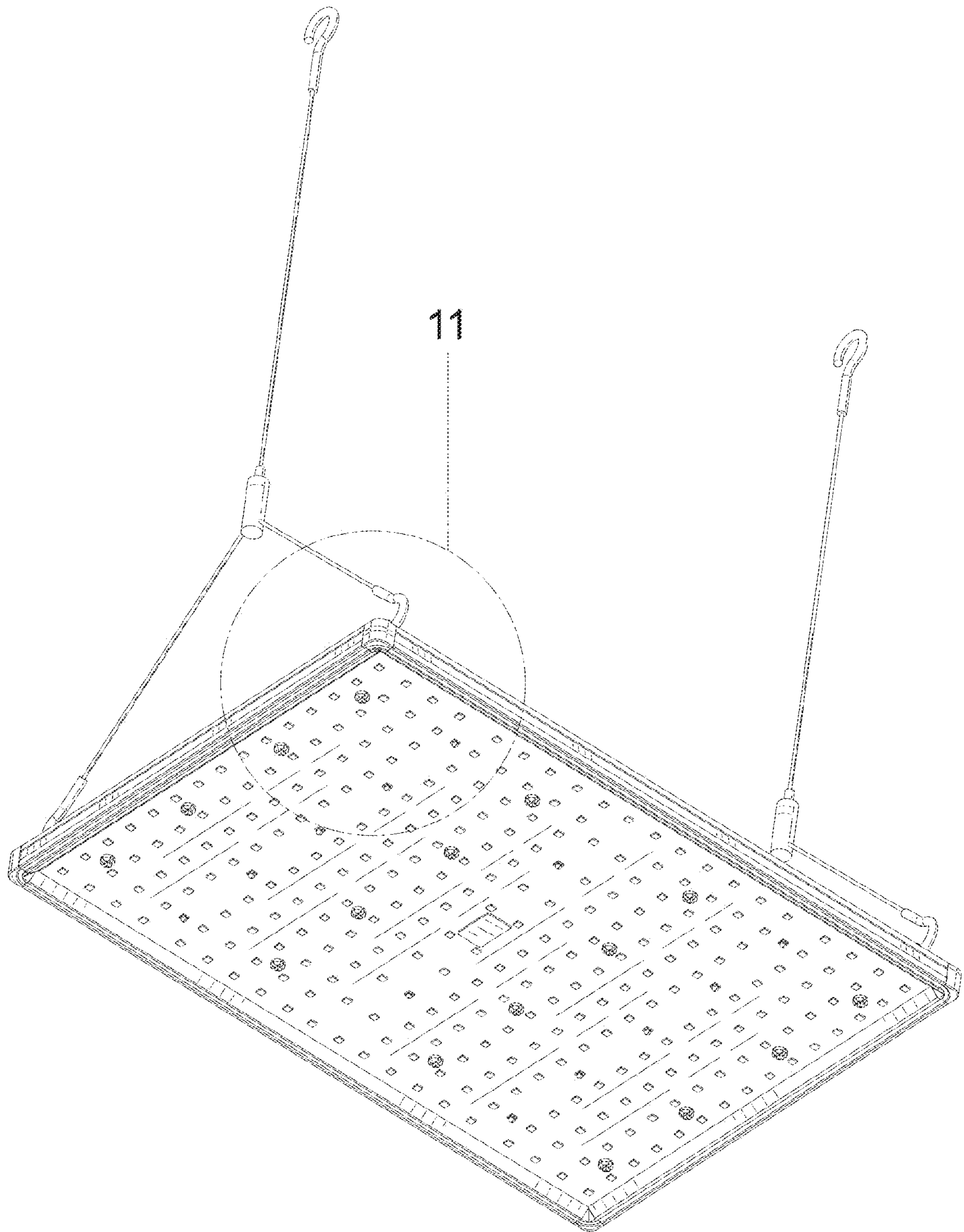


FIG.2

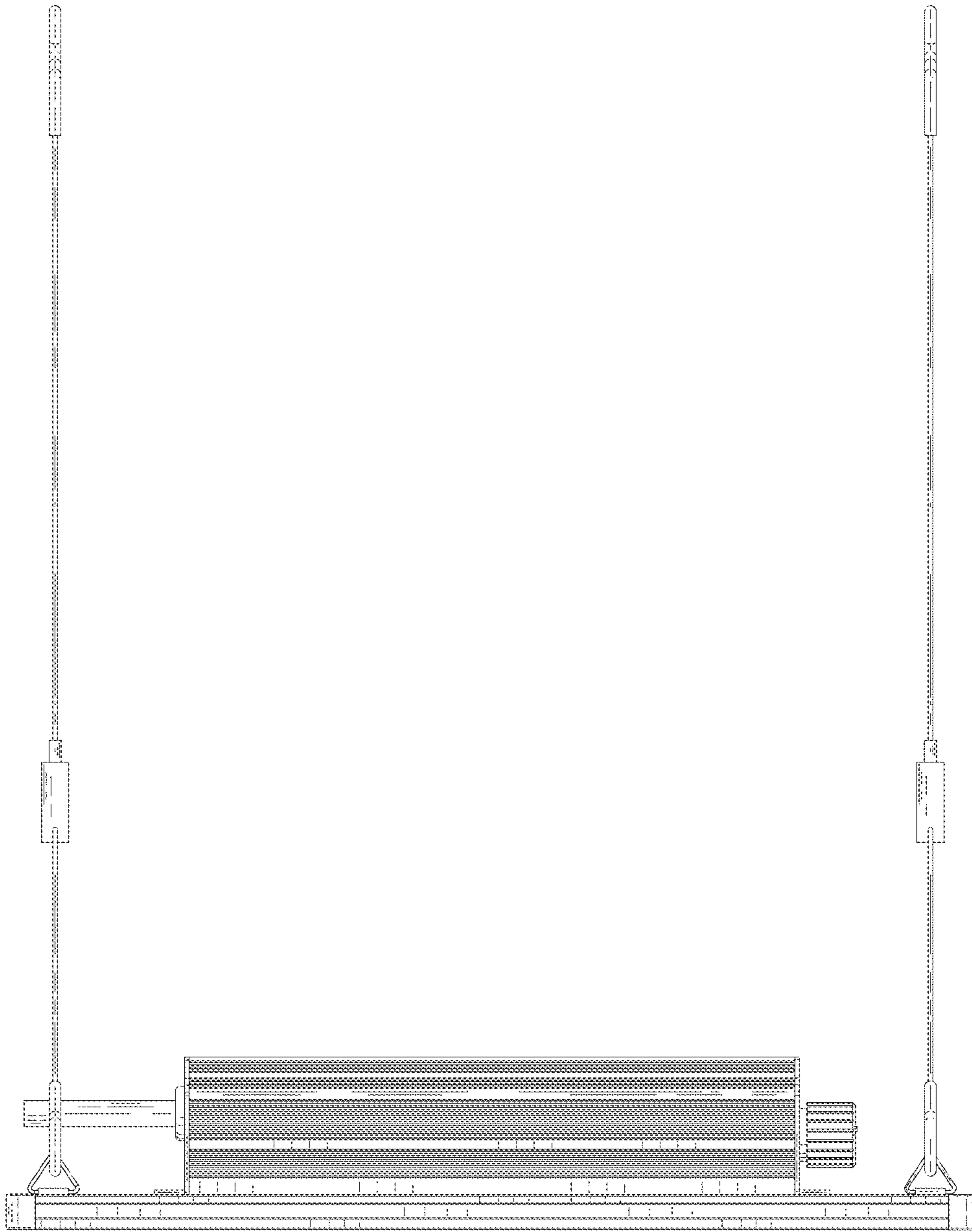


FIG.3

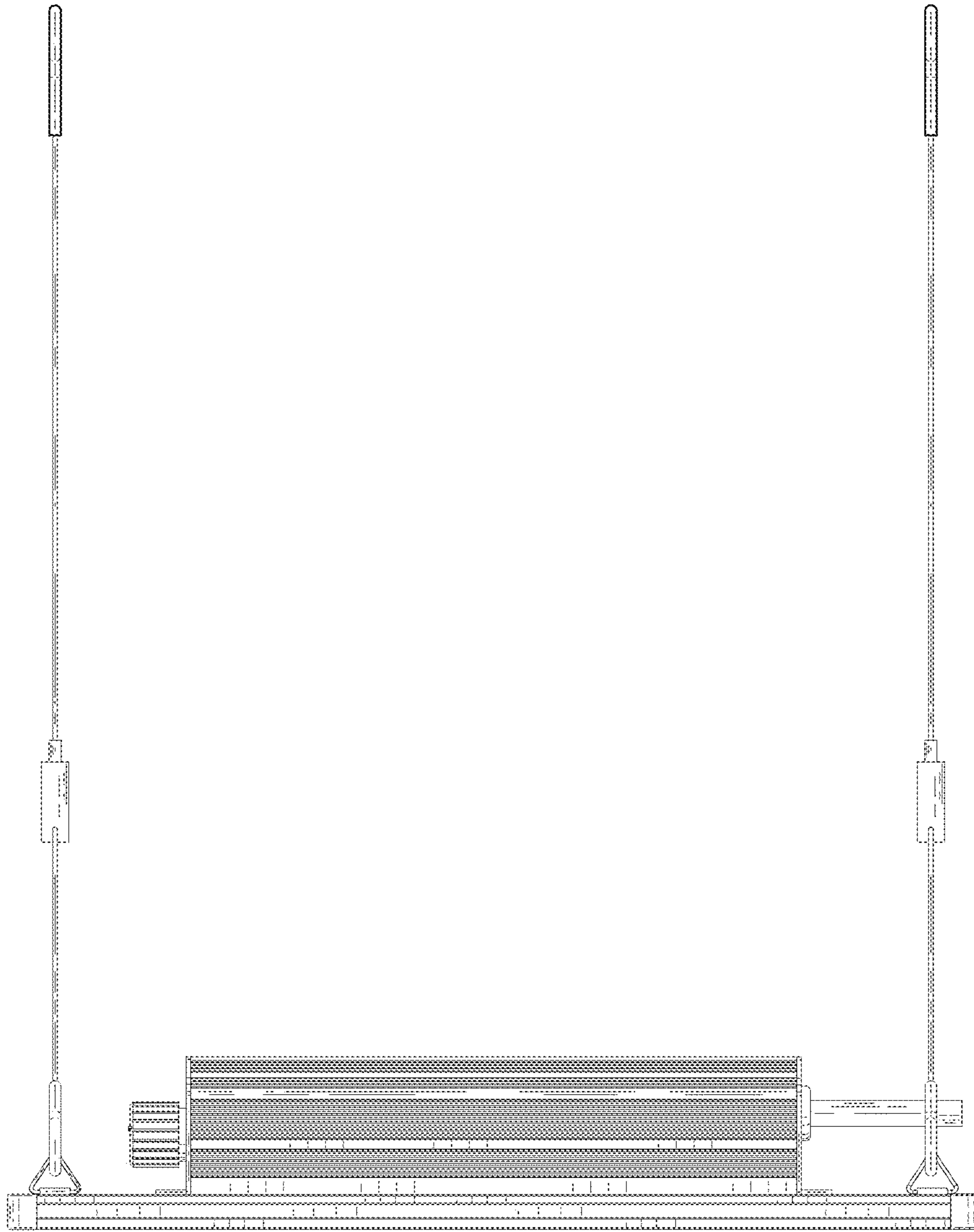


FIG.4

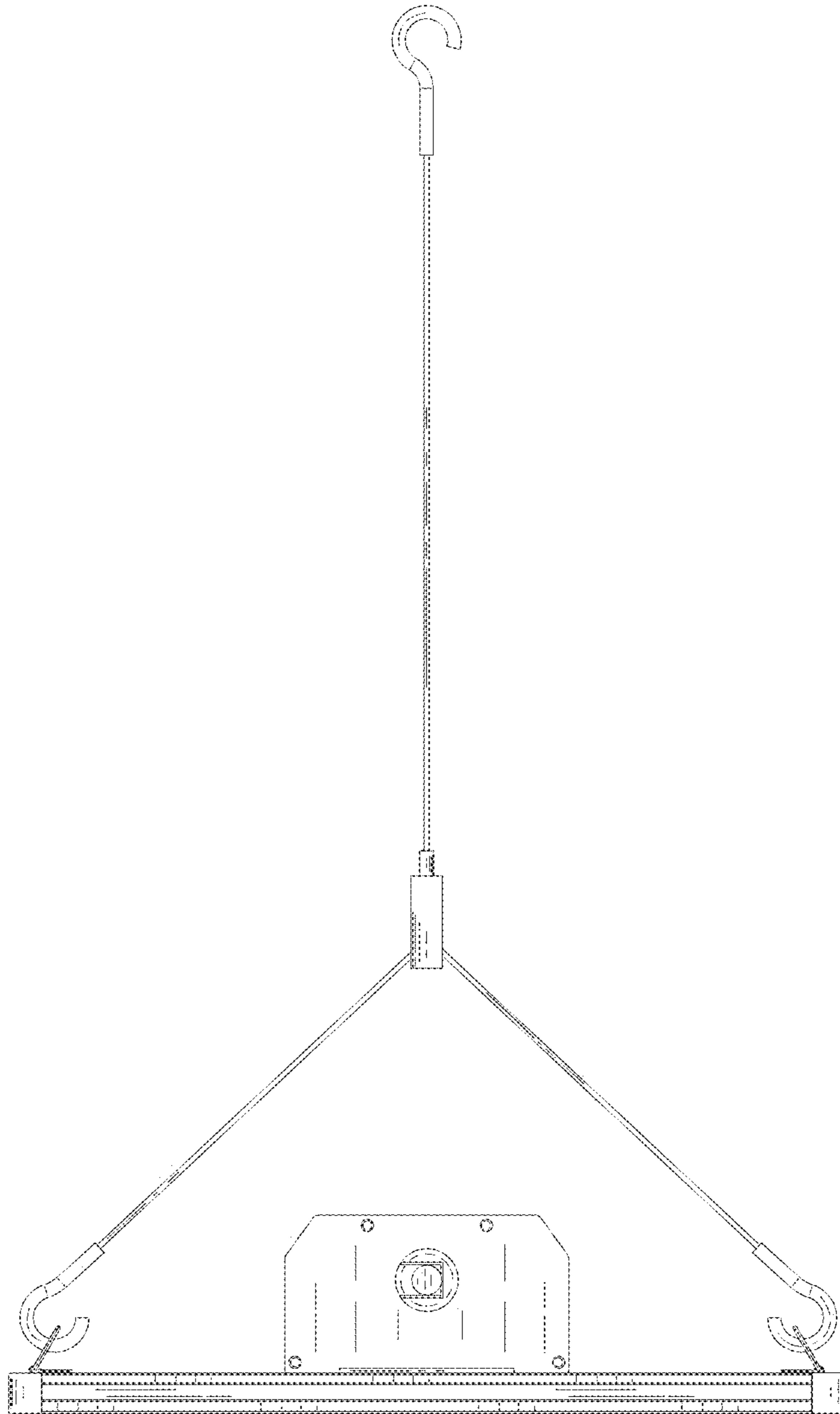


FIG.5

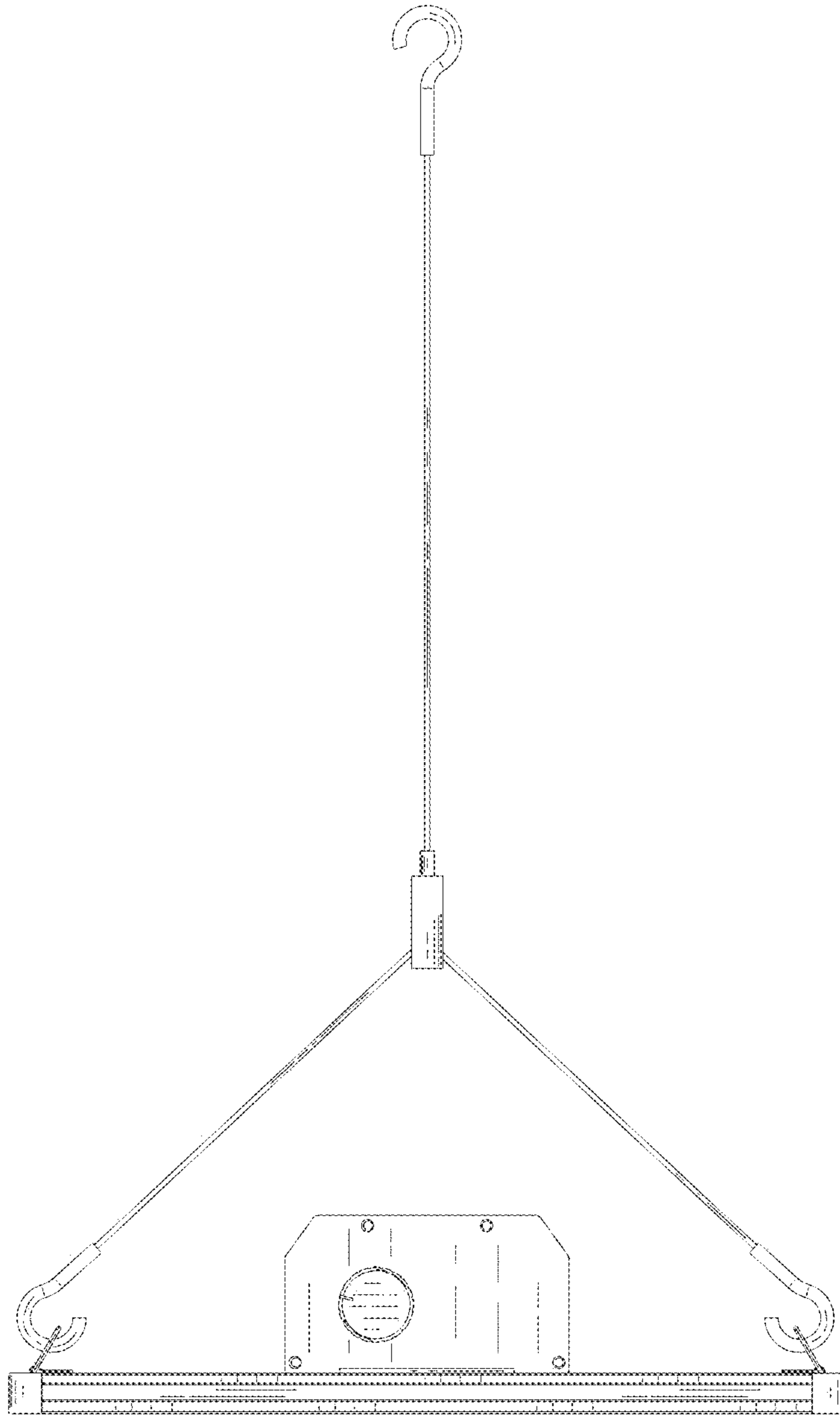


FIG.6

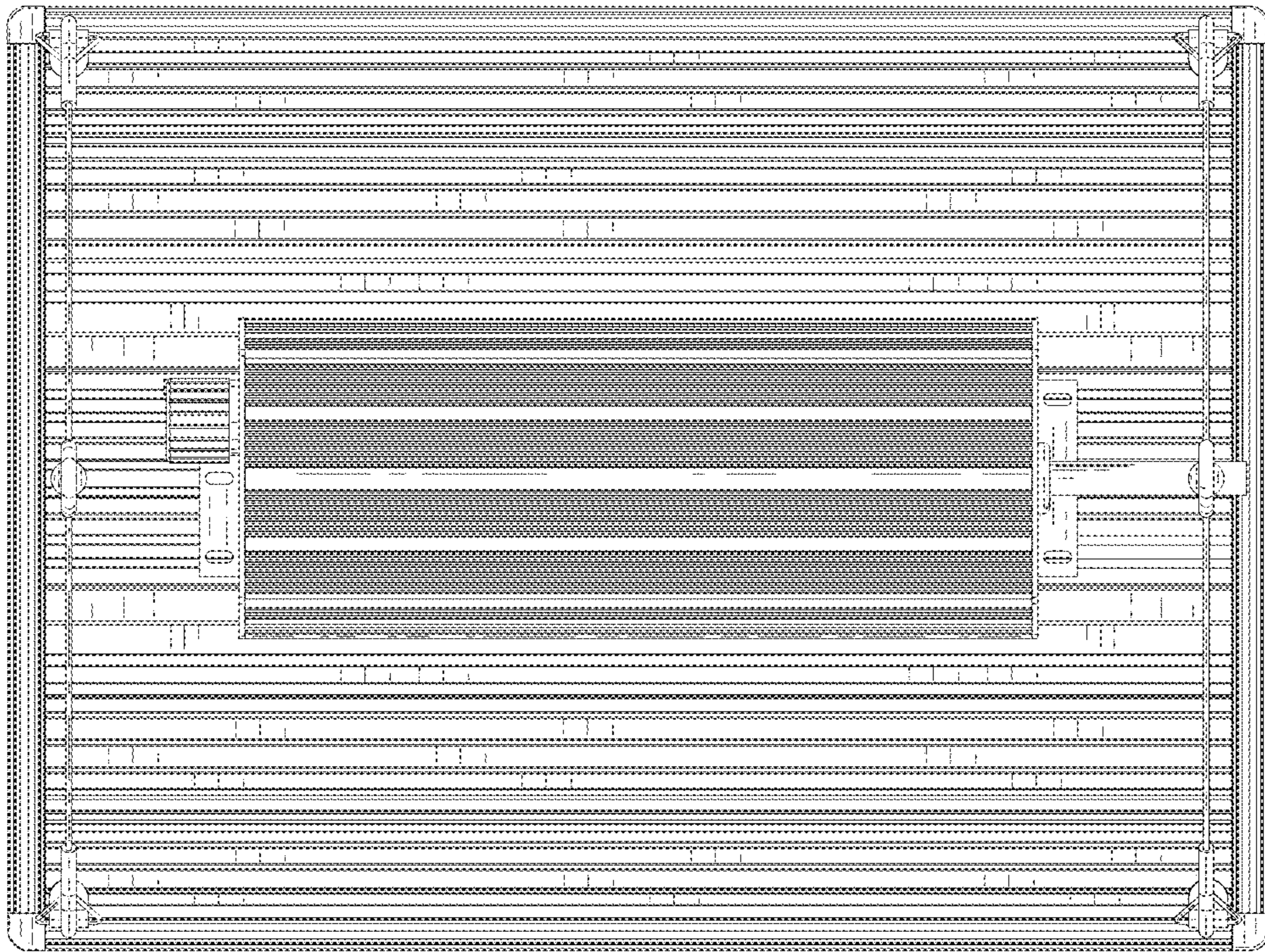


FIG.7

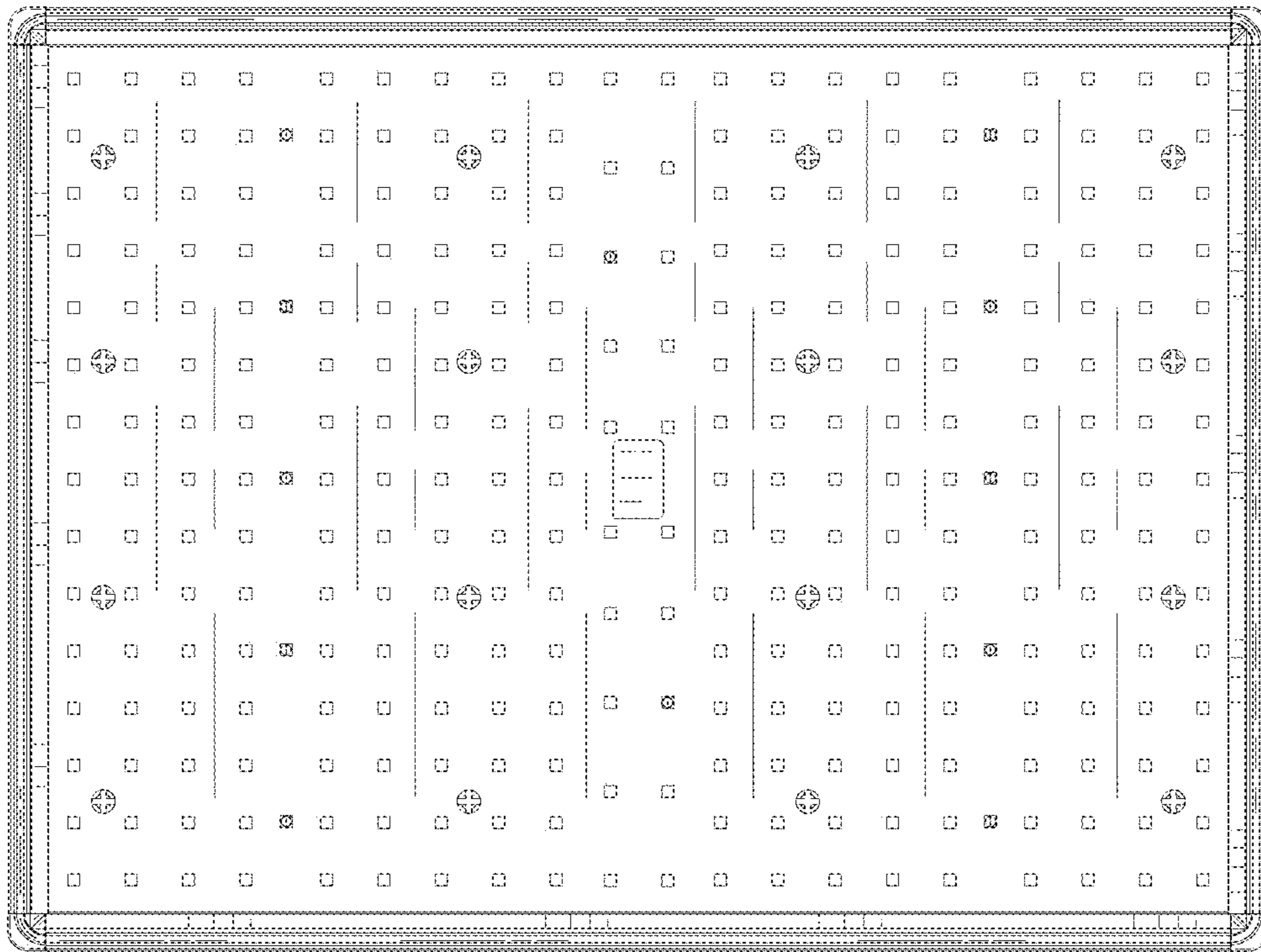


FIG.8

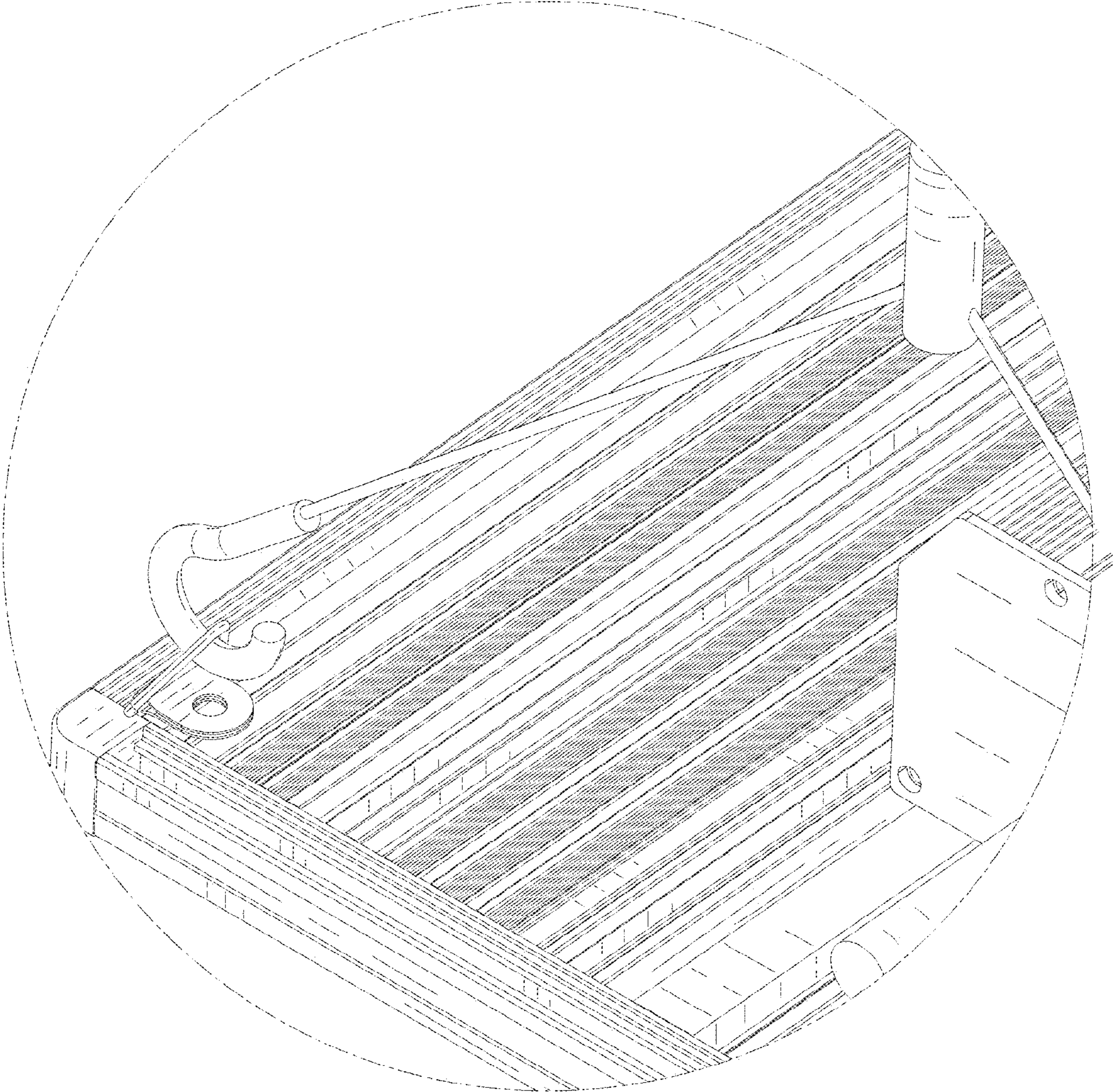


FIG.9

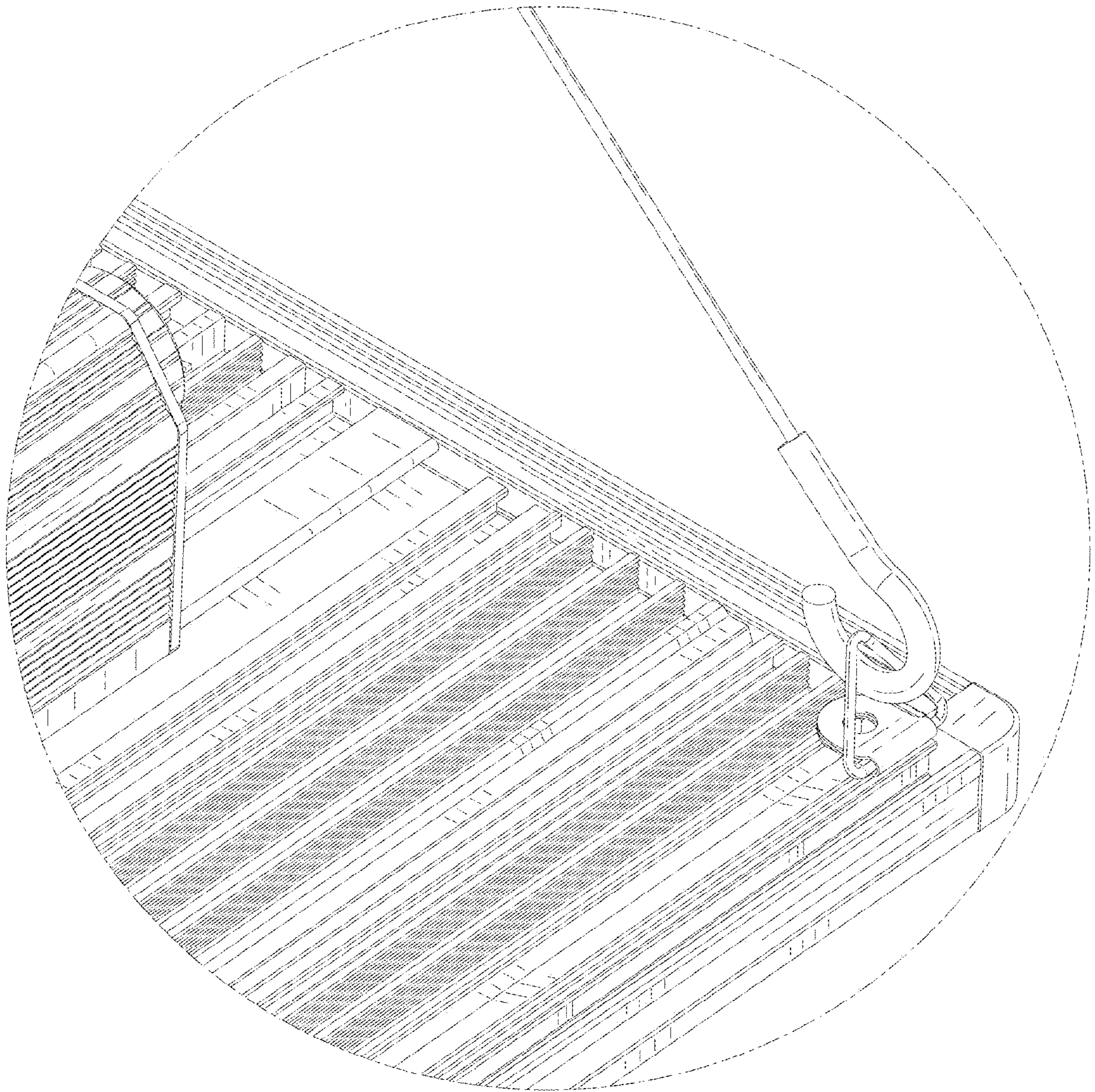


FIG.10

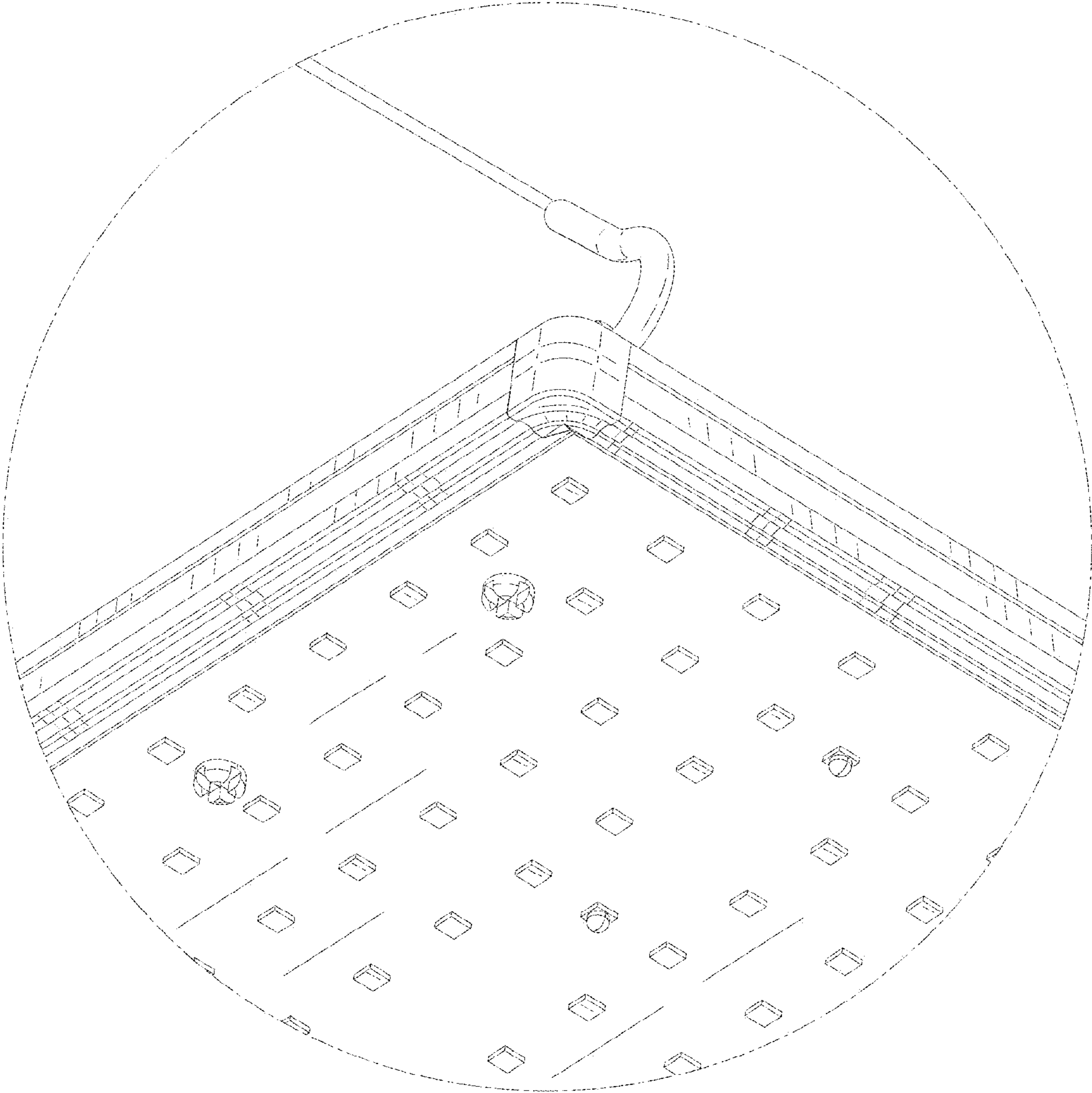


FIG.11