



US00D951513S

(12) **United States Design Patent** (10) **Patent No.:** **US D951,513 S**
Knauff (45) **Date of Patent:** **** May 10, 2022**

(54) **CEILING LAMP**

FOREIGN PATENT DOCUMENTS

(71) Applicant: **ANSORG GMBH**, Mulheim an der Ruhr (DE)

EM 002180885-0001 * 2/2013
EM 002180885-0002 * 2/2013
WO D103112-001 * 10/2018

(72) Inventor: **Volker Knauff**, Essen (DE)

OTHER PUBLICATIONS

(73) Assignee: **Ansorg GmbH**, Mulheim an der Ruhr (DE)

“Sun & Sand Sports,” 2015, ansorg.com, site visited Oct. 29, 2020, URL: <https://ansorg.com/en/references/fashion/sun-sand-sports/#/> (Year: 2015).*

(**) Term: **15 Years**

(Continued)

(21) Appl. No.: **29/684,982**

Primary Examiner — Eric L Goodman

(22) Filed: **Mar. 25, 2019**

Assistant Examiner — Sarah L Smith

(51) **LOC (13) Cl.** **26-04**

(74) *Attorney, Agent, or Firm* — Dentons US LLP

(52) **U.S. Cl.**

(57) **CLAIM**

USPC **D26/76**

The ornamental design for a ceiling lamp, as shown and described.

(58) **Field of Classification Search**

DESCRIPTION

USPC D26/24, 25, 26, 27, 60–69, 72, 74, 75, D26/76, 77, 78, 80, 81, 82, 83, 85, 86, D26/88, 89, 93, 104, 106, 108–115, 118, D26/120; D10/111–115

CPC F21S 8/00; F21S 8/03; F21S 8/04; F21S 8/026; F21S 8/046; F21S 8/088; F21V 15/00; F21V 15/01

See application file for complete search history.

FIG. 1 is an illustration of an isometric view of a ceiling lamp, inverted vertically from its normal orientation to show the ceiling lamp above a track adapter, viewing a front side and a left side of the ceiling lamp and a front side of the track adapter;

FIG. 2 is an isometric view of the ceiling lamp of FIG. 1, inverted vertically from its normal orientation to show the ceiling lamp above the track adapter, viewing a rear side and a right side of the ceiling lamp and a rear side of the track adapter;

(56) **References Cited**

U.S. PATENT DOCUMENTS

D31,762 S * 10/1899 Locke D25/103
2,323,073 A * 6/1943 Netting H01R 33/02
362/225
D191,762 S * 11/1961 Rothman D26/76
D203,060 S * 11/1965 Schaefer D26/76
D209,536 S * 12/1967 McCain D26/74
D216,911 S * 3/1970 Specht D26/24
D228,667 S * 10/1973 Anderson D26/71
D229,628 S * 12/1973 Wolfson D26/67
D364,479 S * 11/1995 Gilbert D26/75

FIG. 3 is a front elevational view of the ceiling lamp of FIG. 1;

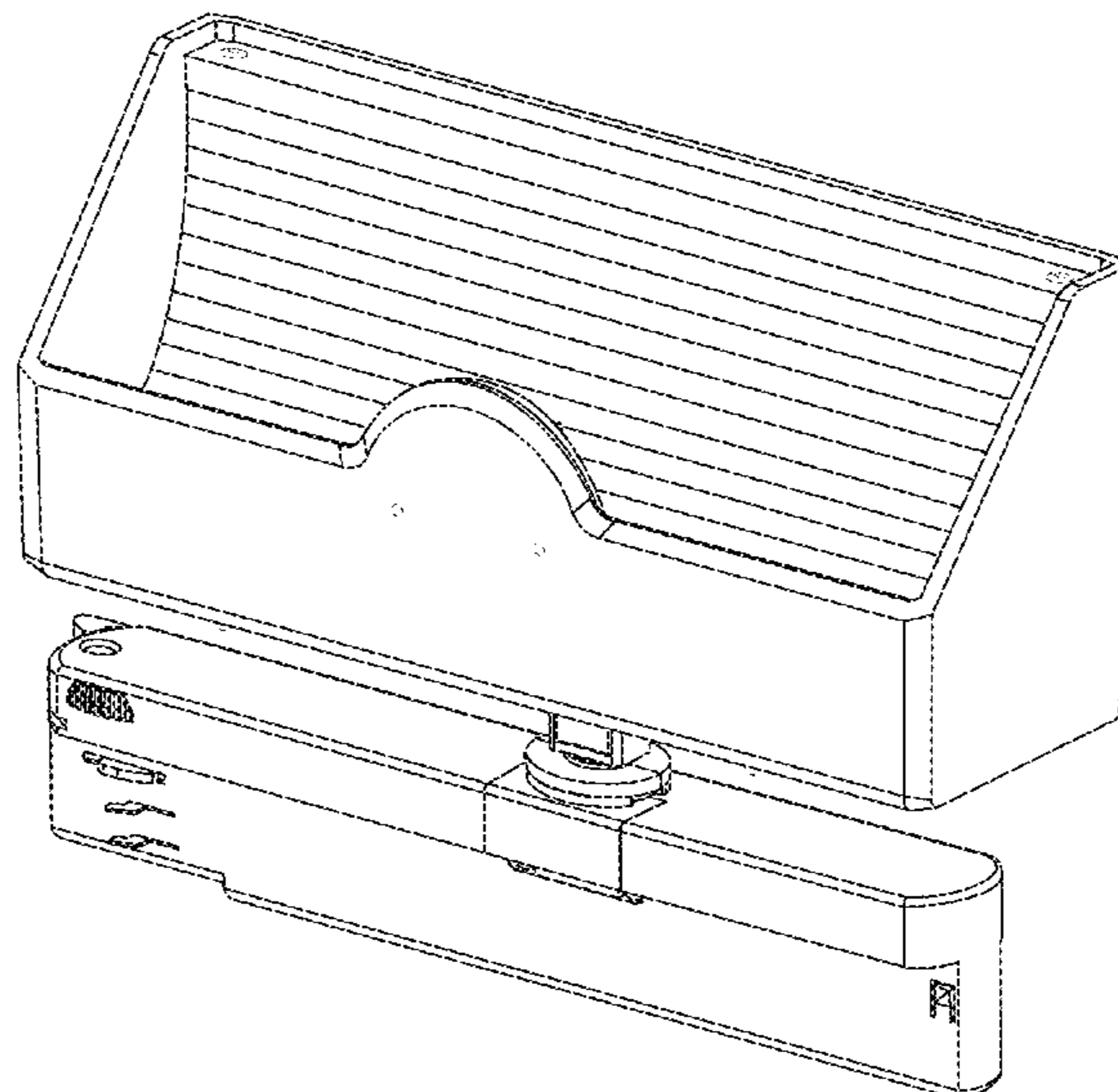
FIG. 4 is a right-side elevational view of the ceiling lamp of FIG. 1;

FIG. 5 is a rear elevational view of the ceiling lamp of FIG. 1;

FIG. 6 is a top view of the ceiling lamp of FIG. 1; and, FIG. 7 is a bottom view of the ceiling lamp of FIG. 1.

(Continued)

1 Claim, 7 Drawing Sheets



(56)

References Cited

U.S. PATENT DOCUMENTS

D390,992	S	*	2/1998	Shemitz	D26/63
D543,307	S	*	5/2007	Bynum	D26/118
D561,370	S	*	2/2008	Sandell	F21V 29/15
						D26/63
D612,975	S	*	3/2010	Guercio	D26/85
D629,548	S	*	12/2010	Cai	D26/63
D691,320	S	*	10/2013	Guercio	D26/85
D834,736	S	*	11/2018	Liu	26/85
D862,764	S	*	10/2019	Deng	D26/118
D895,885	S	*	9/2020	Hong	D26/71
2004/0085770	A1	*	5/2004	Tyler	F21V 29/15
						362/297

OTHER PUBLICATIONS

“Dodo Outlet Center,” 2017, ansorg.com, site visited Oct. 29, 2020, URL: <https://ansorg.com/en/references/home-stores/dodo-outlet-store/#/> (Year: 2017).*

“Bio & Co.,” 2017, ansorg.com, site visited Oct. 29, 2020, URL: <https://ansorg.com/en/references/food/bio-co-vallauris/#/> (Year: 2017).*

“The smallest and brightest hallway lighting,” Oct. 2018, revistaluminica.es, site visited Dec. 14, 2020, URL: <https://www.revistaluminica.es/iluminacion-zonas-pasillo/> (Year: 2018).*

“Navo 4.0—The small and movable aisle area lighting,” Oct. 1, 2018, on-light.de, site visited Dec. 14, 2020, URL: <https://www.on-light.de/home/news/article/navo-40-die-kleine-und-bewegliche-gangzonenbeleuchtung.html> (Year: 2018).*

* cited by examiner

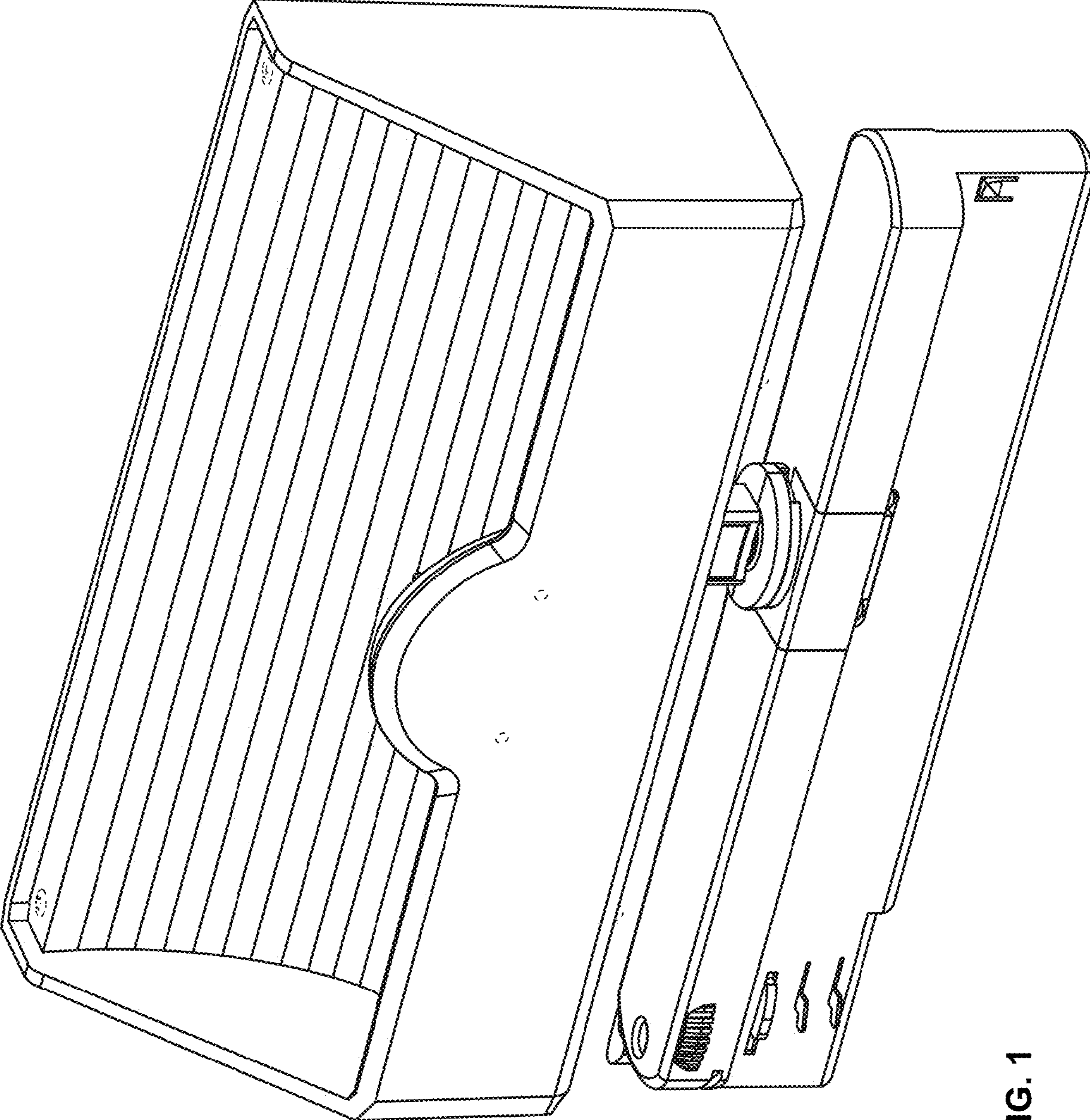


FIG. 1

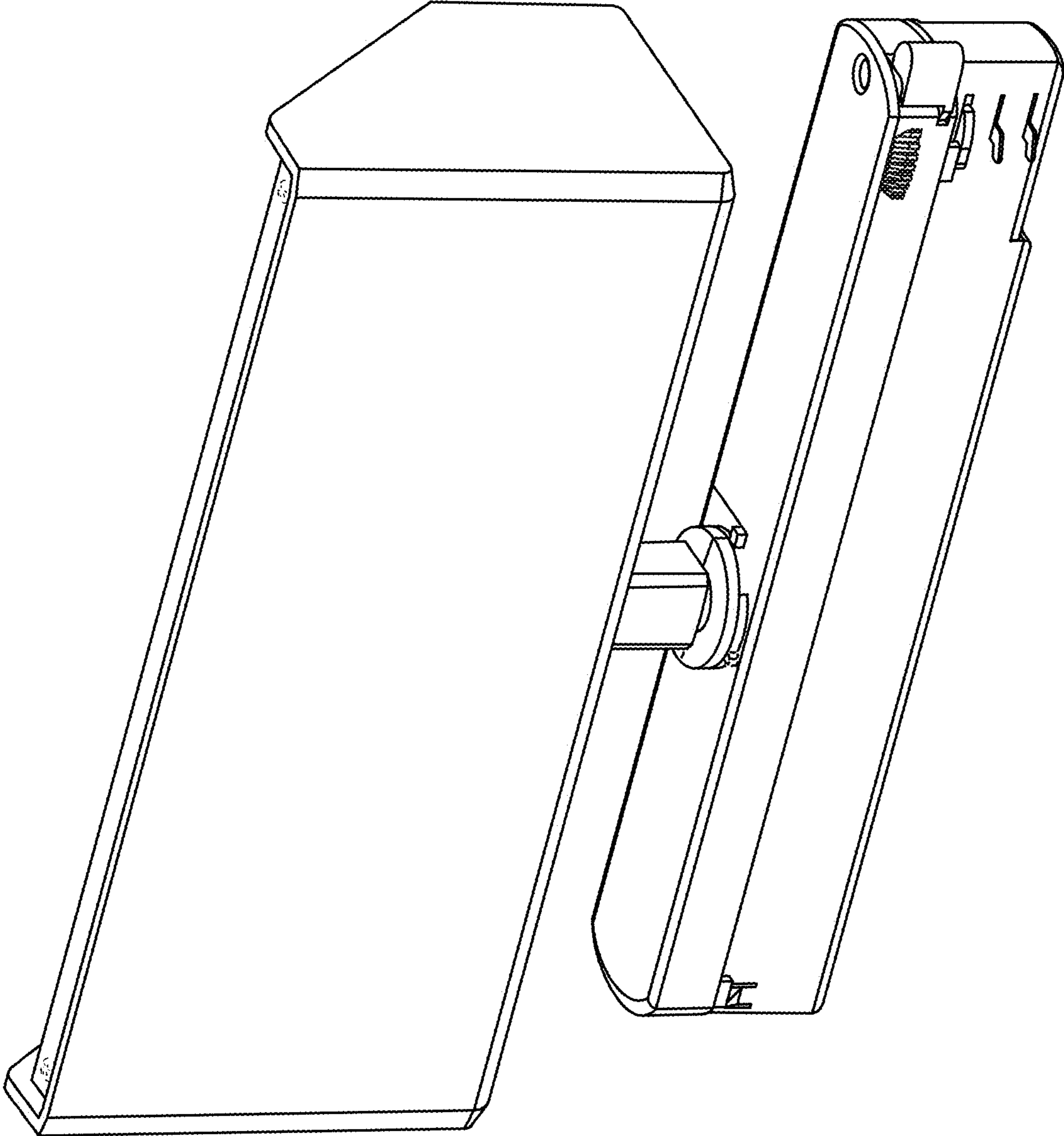


FIG. 2

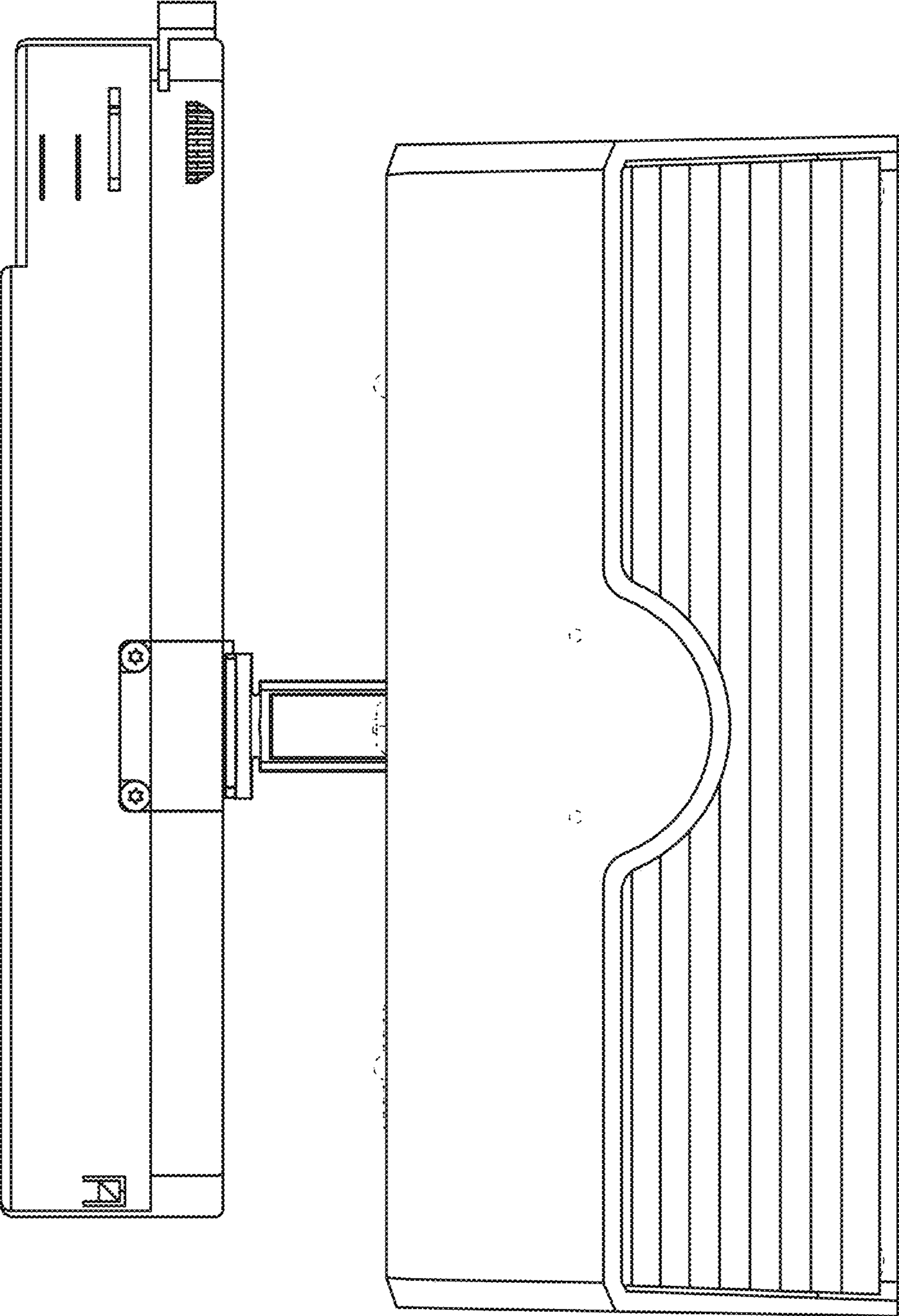


FIG. 3

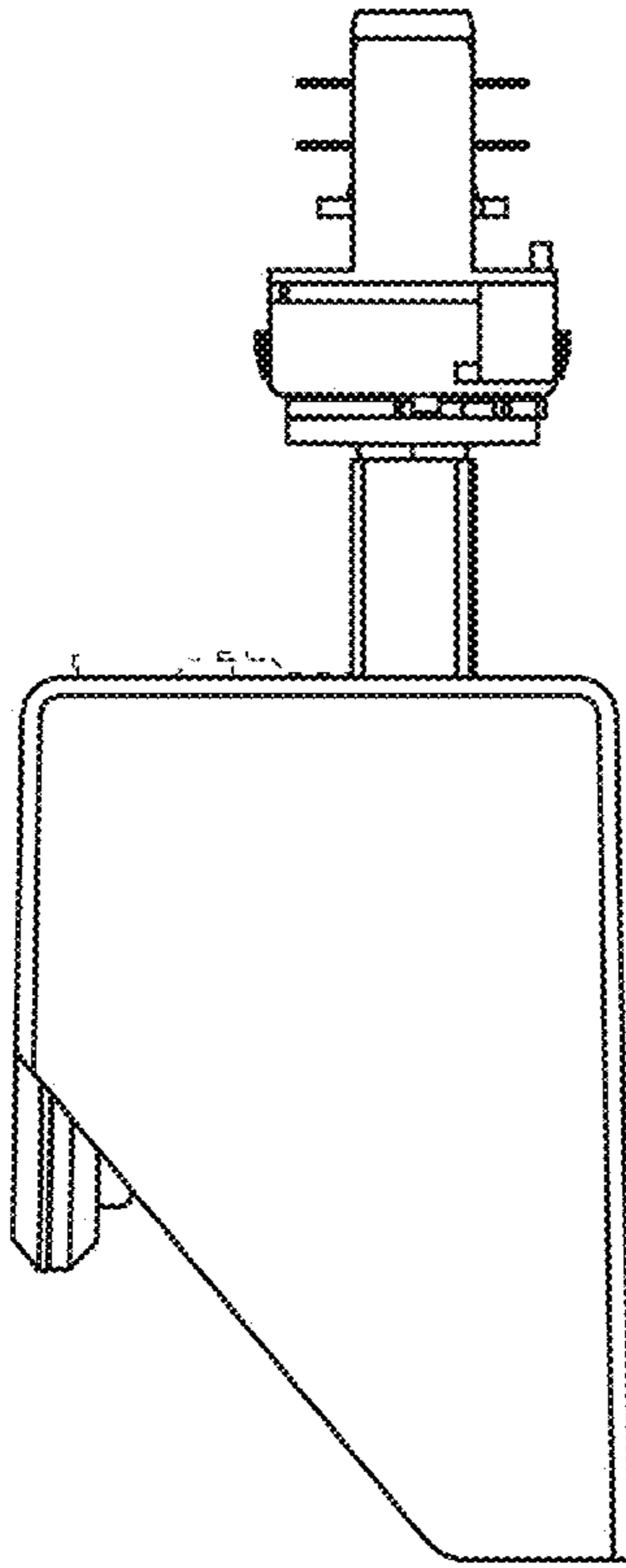


FIG. 4

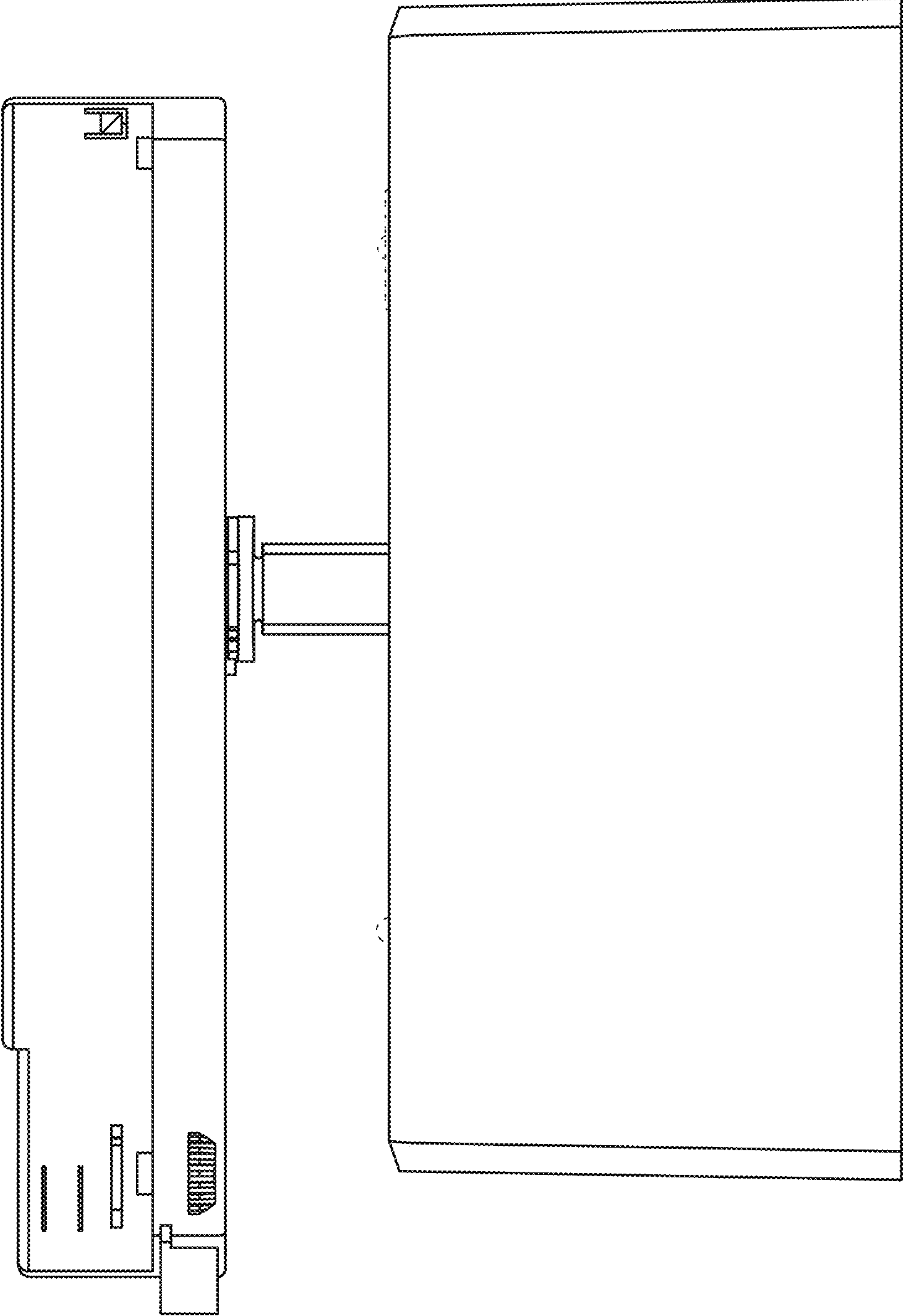


FIG. 5

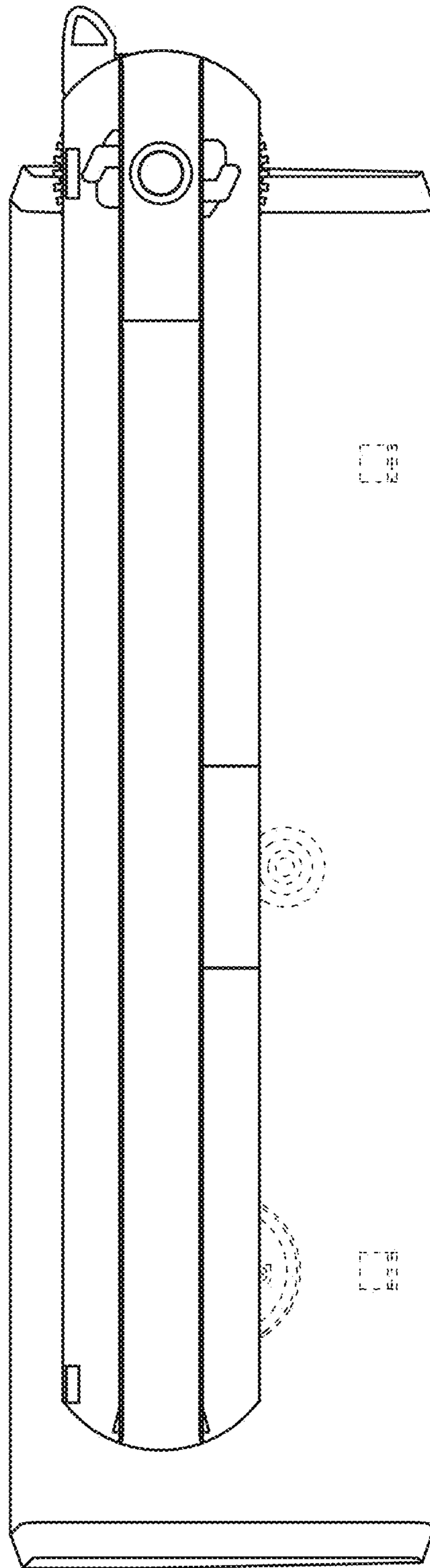


FIG. 6

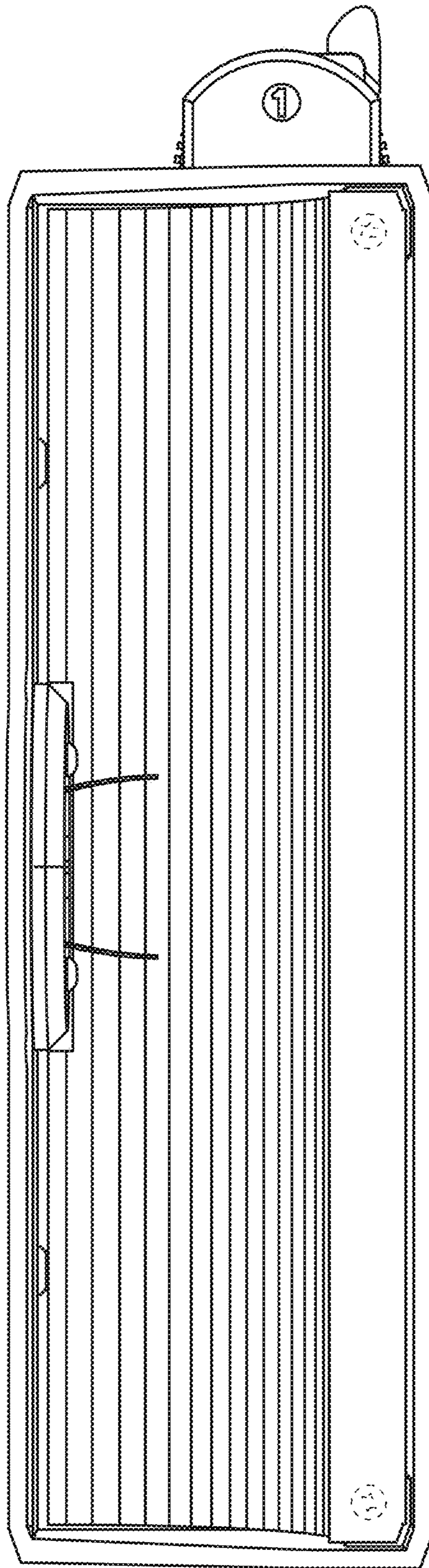


FIG. 7