



US00D951512S

(12) **United States Design Patent**  
**Zhang**

(10) **Patent No.:** **US D951,512 S**

(45) **Date of Patent:** **\*\* May 10, 2022**

(54) **FOLDING LAMP**

(71) Applicant: **Shenzhen YuYiYuan Technology Co., Ltd**, Shenzhen (CN)

(72) Inventor: **Donglin Zhang**, Shenzhen (CN)

(73) Assignee: **Shenzhen YuYiYuan Technology Co., Ltd**, Shenzhen (CN)

(\*\*) Term: **15 Years**

(21) Appl. No.: **29/738,494**

(22) Filed: **Jun. 18, 2020**

(51) **LOC (13) Cl.** ..... **26-05**

(52) **U.S. Cl.**  
USPC ..... **D26/67**

(58) **Field of Classification Search**  
USPC ..... D26/40, 41, 67-70, 85, 8, 11, 19, 22, 60  
CPC .... F21S 8/03; F21S 8/033; F21S 8/036; F21S 8/081; F21S 9/037; F21W 2111/02; F21W 2111/023; F21W 2131/109  
See application file for complete search history.

(56) **References Cited**

**U.S. PATENT DOCUMENTS**

662,474	A *	11/1900	Stonebridge	.....	F21V 1/06	362/162
836,411	A *	11/1906	Stonebridge	.....	F21V 1/06	362/162
D461,578	S *	8/2002	Cheong	.....	D26/67	
D465,296	S *	11/2002	DiPasquale	.....	D26/67	
D578,239	S *	10/2008	Milicia	.....	D26/68	
D646,832	S *	10/2011	Chen	.....	D26/85	

D646,833	S *	10/2011	Chen	.....	D26/85	
D663,063	S *	7/2012	Yang	.....	D26/67	
11,118,762	B1 *	9/2021	Zhang	.....	F21V 17/007	
D935,081	S *	11/2021	Peng	.....	D26/41	
2007/0285023	A1 *	12/2007	Cooper	.....	F21L 4/00	362/183
2015/0267901	A1 *	9/2015	Cohen	.....	F21S 6/002	362/282

**OTHER PUBLICATIONS**

OxyLED Outdoor Garden Solar Light, ASIN: B086ZWCWS8. Available from amazon.com May 24, 2021. (Year: 2021).\*  
Hapjoy Outdoor Solar Pathway Light, ASIN: B09FKYS4MM. Available from amazon.com Sep. 7, 2021. (Year: 2021).\*

\* cited by examiner

*Primary Examiner* — Clare E Heflin

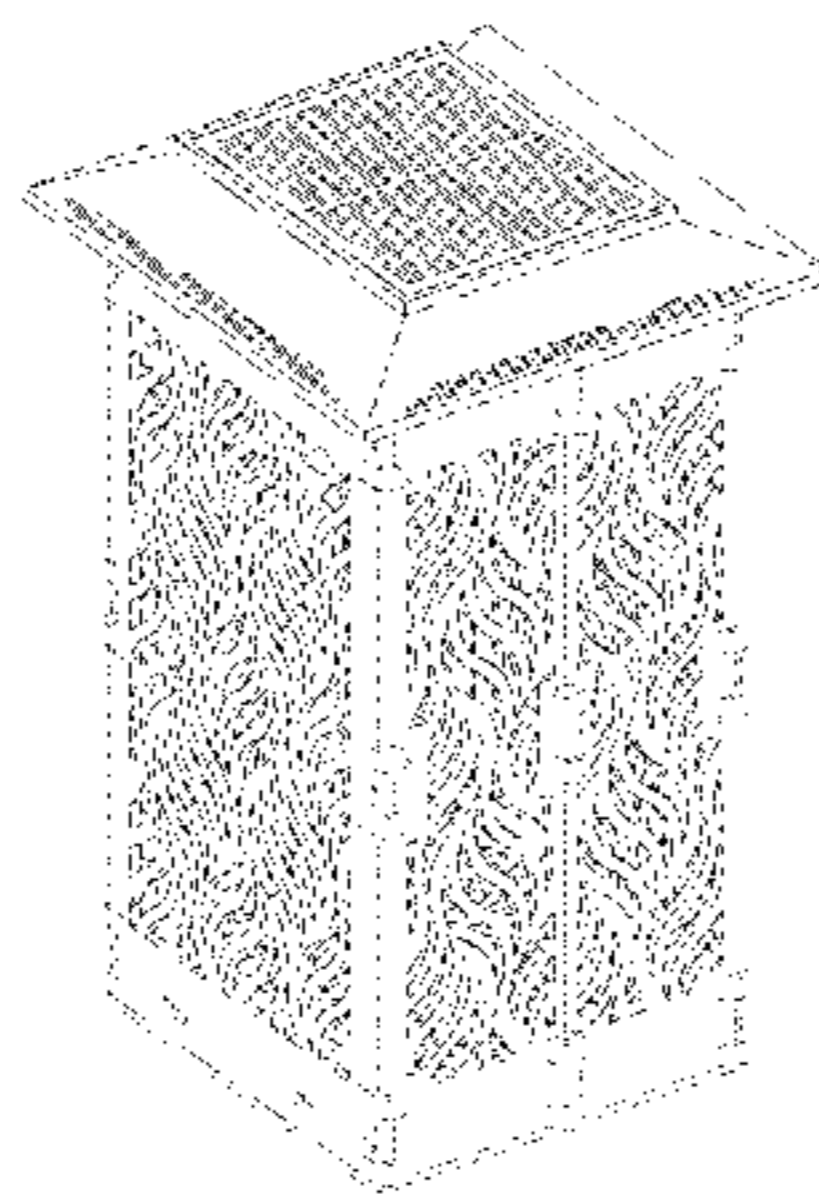
(57) **CLAIM**

The ornamental design for a foldable lamp, as shown and described.

**DESCRIPTION**

FIG. 1 is a front view of a folding lamp showing my new design;  
FIG. 2 is a back view thereof;  
FIG. 3 is a left side view thereof;  
FIG. 4 is a right side view thereof;  
FIG. 5 is a top view thereof;  
FIG. 6 is a bottom view thereof; and,  
FIG. 7 is a perspective view thereof.  
The broken lines shown on the drawings depict portions of the folding lamp that form no part of the claimed design.

**1 Claim, 7 Drawing Sheets**



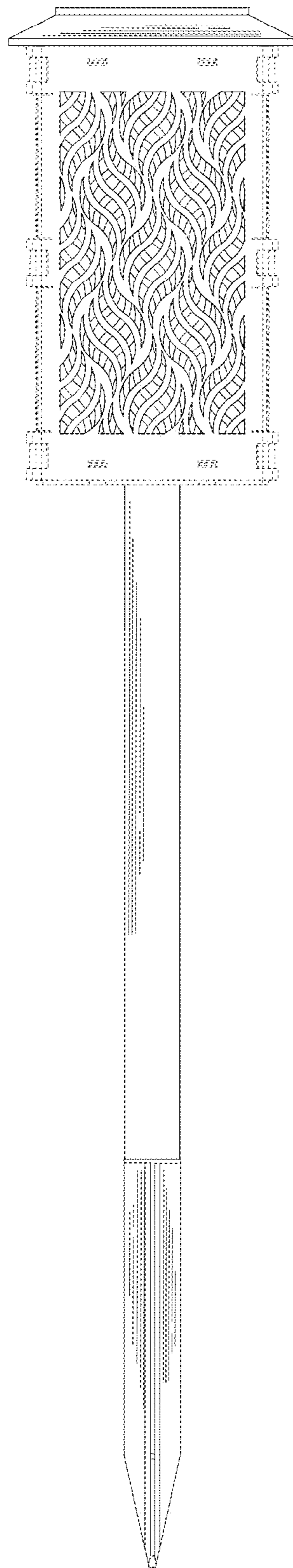


FIG. 1

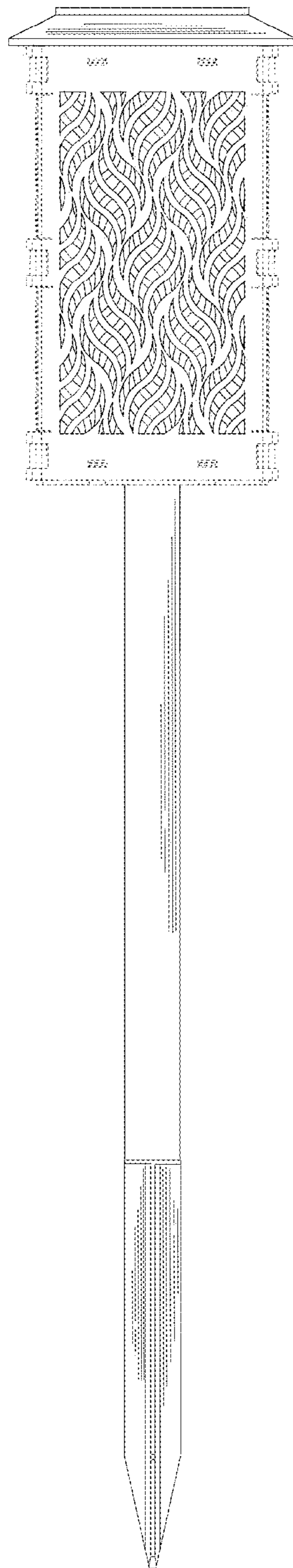


FIG. 2

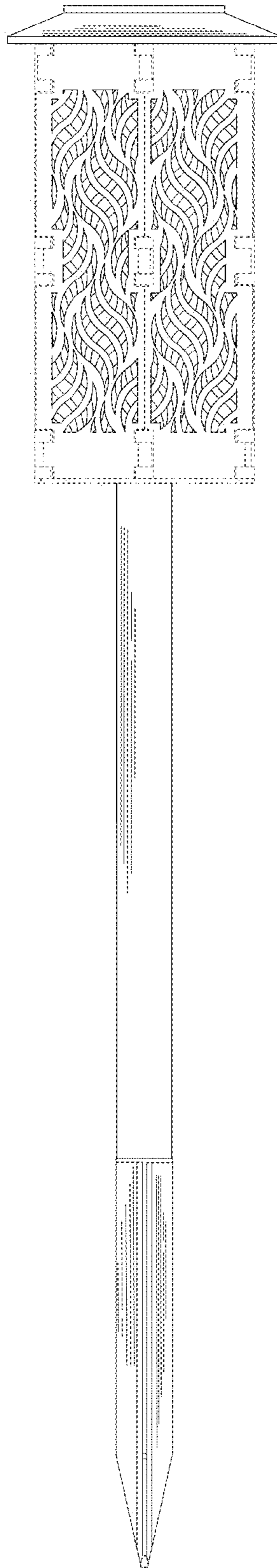


FIG. 3

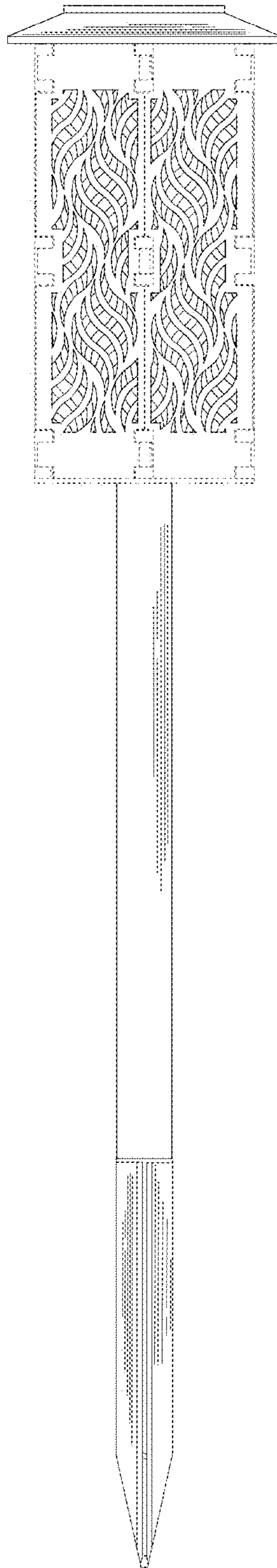


FIG. 4

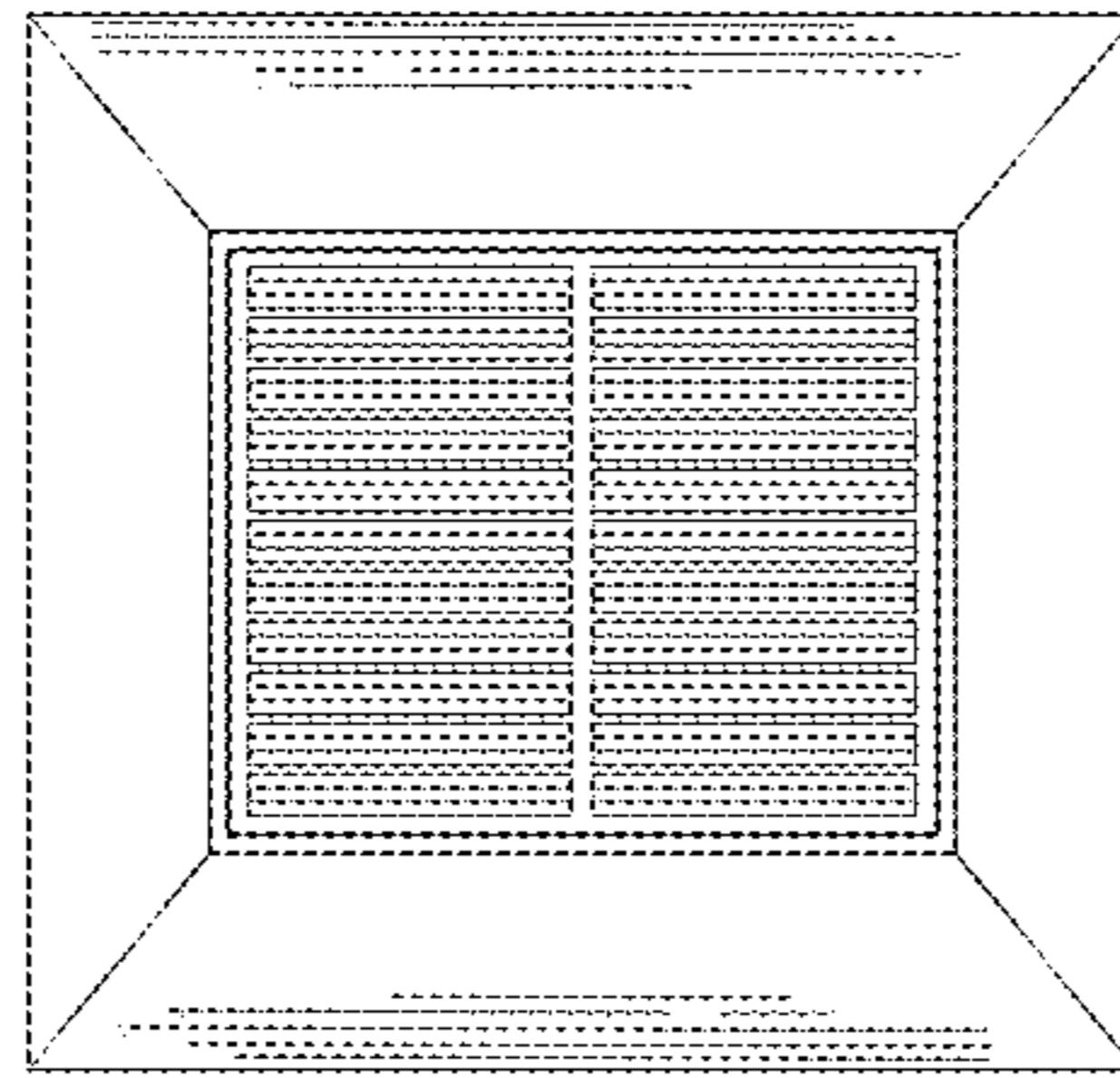


FIG. 5



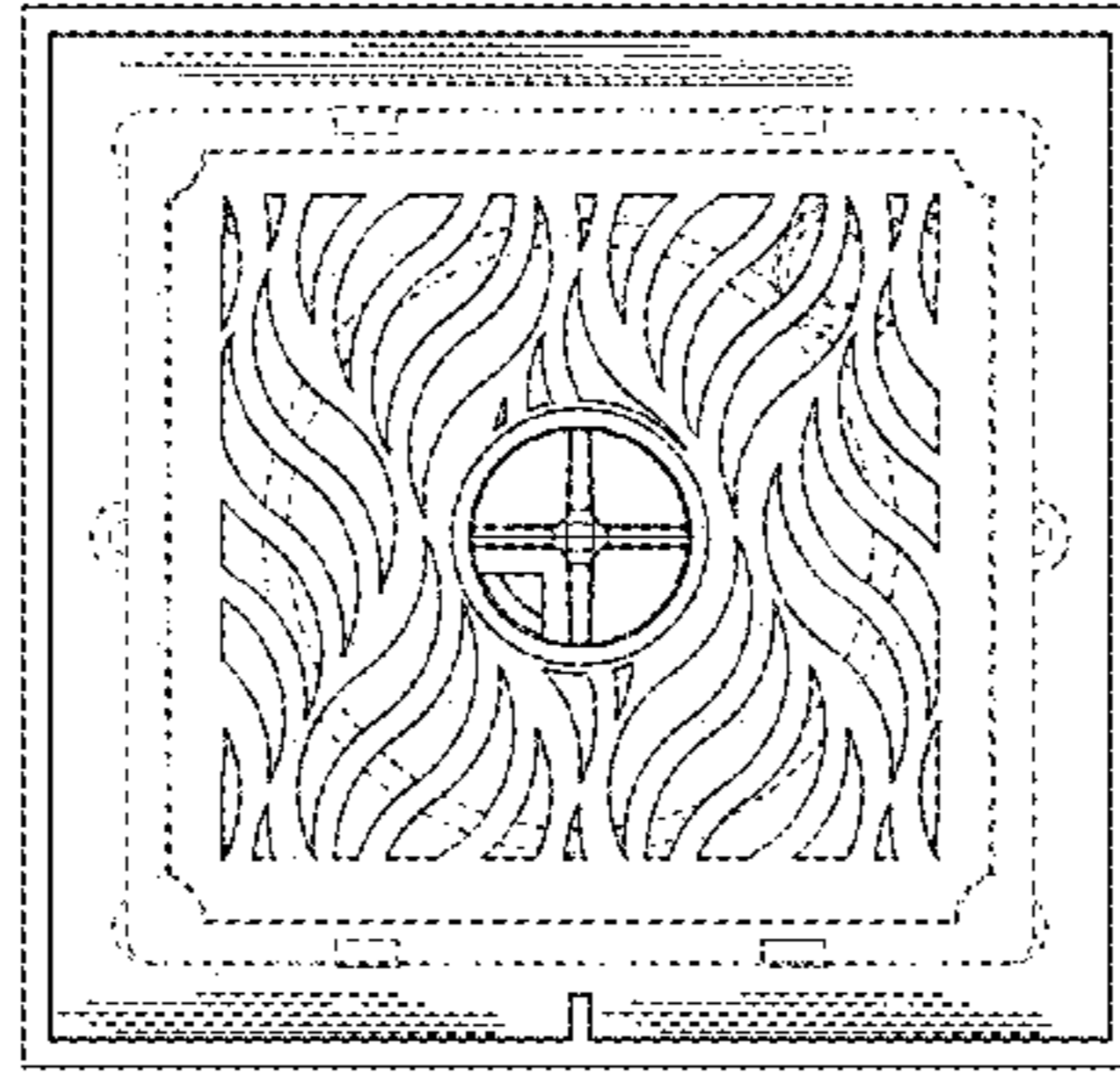


FIG. 6

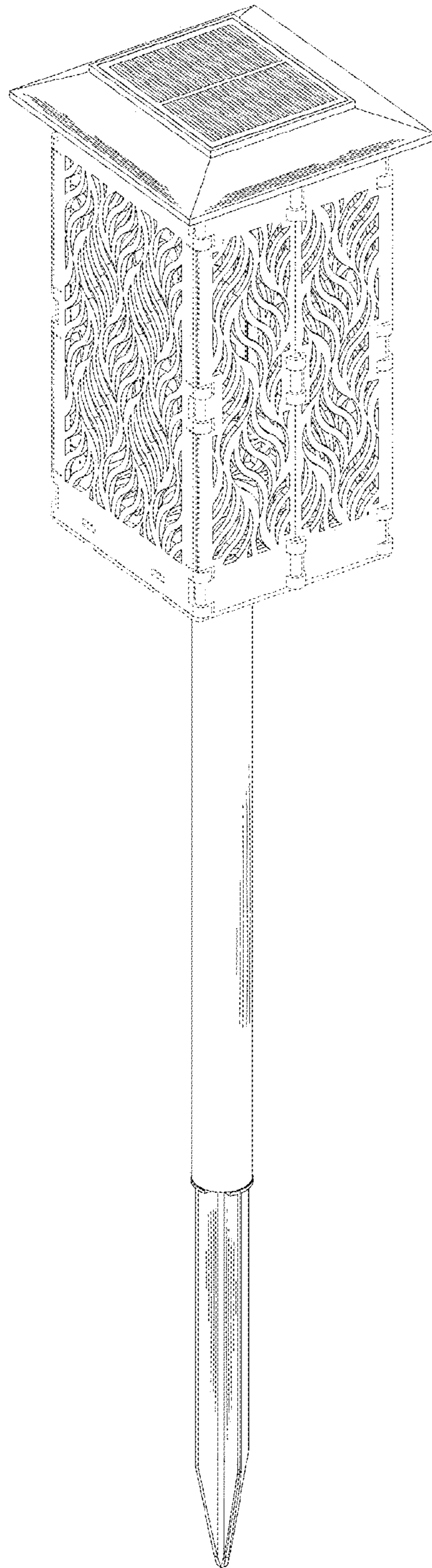


FIG. 7