



US00D951511S

(12) **United States Design Patent** (10) **Patent No.:** **US D951,511 S**
Daniel (45) **Date of Patent:** **** May 10, 2022**

(54) **LAMP**
(71) Applicant: **Event Concept Limited**, London (GB)
(72) Inventor: **Samuel Daniel**, London (GB)
(73) Assignee: **EVENT CONCEPT LIMITED**,
London (GB)

D930,214 S * 9/2021 Kallestrup D26/63
2012/0091917 A1* 4/2012 Vinther H05B 45/00
315/312
2014/0301071 A1* 10/2014 Jorgensen F21V 21/30
362/231
2020/0217473 A1* 7/2020 Mitterlehner F21S 41/36
2021/0066866 A1* 3/2021 Brewster H01R 13/24
2021/0095834 A1* 4/2021 Jiang F16M 11/18

(**) Term: **15 Years**
(21) Appl. No.: **29/689,335**

FOREIGN PATENT DOCUMENTS

EM 002474874-0002 * 6/2014
GB 2526801 A 12/2015

(22) Filed: **Apr. 29, 2019**

OTHER PUBLICATIONS

(30) **Foreign Application Priority Data**

Clay Paky Professional Lighting, "GlowUp", www.claypaky.it/en/products/glow-up, published Oct. 10, 2011, retrieved Jul. 24, 2019 via the "Internet Wayback Machine" at web.archive.org/web/20111010001309/https://www.claypaky.it/en/products/glow-up.

Oct. 29, 2018 (EM) 005812435-0003

(51) **LOC (13) Cl.** **26-05**

(52) **U.S. Cl.**
USPC **D26/63**

(58) **Field of Classification Search**
USPC D26/61, 62, 63
CPC F21V 21/02; F21V 14/00; F21V 14/02;
F21V 14/06; F21V 5/007; F21V 5/04;
F21V 21/00; F21V 21/15; F21W 2121/00;
F21W 2131/30; F21W 2131/406
See application file for complete search history.

(Continued)

Primary Examiner — Leanne Was-Englehart

(56) **References Cited**

(57) **CLAIM**

The ornamental design for a lamp, as shown and described.

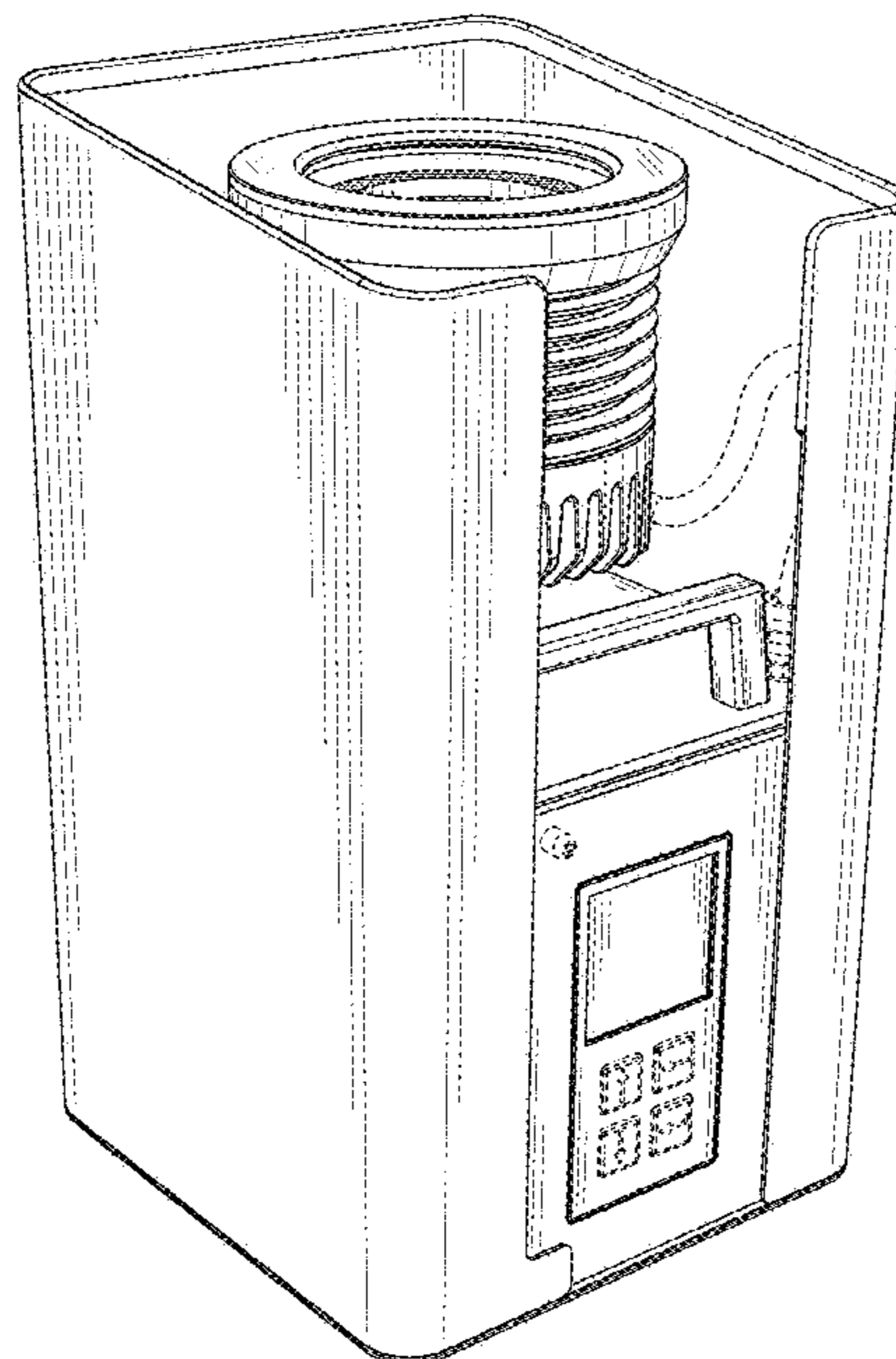
U.S. PATENT DOCUMENTS

D370,076 S * 5/1996 Lecluze D26/63
D407,518 S * 3/1999 Yeh D26/63
D500,379 S * 12/2004 Kunzler D26/63
D663,471 S * 7/2012 Bennett D26/63
D812,280 S * 3/2018 Lechtenberg D26/63
D819,857 S * 6/2018 Kotovsky D26/63
D912,291 S * 3/2021 Subramanian D26/63
10,969,087 B1 * 4/2021 Jiang H02M 3/1582

DESCRIPTION

FIG. 1 is a perspective front view from above of a lamp;
FIG. 2 is a rear view thereof;
FIG. 3 is a perspective rear view from below thereof;
FIG. 4 is a front view thereof;
FIG. 5 is a left side view thereof;
FIG. 6 is a perspective rear view from above thereof; and,
FIG. 7 is a top view thereof.
In the drawings, the broken lines depict portions of the lamp that form no part of the claimed design.

1 Claim, 7 Drawing Sheets



(56)

References Cited

OTHER PUBLICATIONS

LSI Online, “Event Concept launches wireless Concept 6 SD battery uplight”, www.lsionline.com/news/event-concept-launches-wireless-concept-6-sd-battery-uplight-u3lafz, PLASA Media Ltd, published Jan. 16, 2015, retrieved Jul. 26, 2019.

Chauvet Professional, “Well Fit”, www.chauvetprofessional.eu/products/well-fit/, published Mar. 13, 2016, retrieved Jul. 24, 2019 via the “Internet Wayback Machine” at web.archive.org/web/20160313025037/https://www.chauvetprofessional.eu/products/well-fit/.

Robe Lighting, “LiteWare™ HO2”, www.robe.cz/liteware-ho2/, published Sep. 24, 2016, retrieved Jul. 24, 2019 via the “Internet Wayback Machine” at web.archive.org/web/20160924104800/https://www.robe.cz/liteware-ho2/.

Core Lighting, “Uplight: ColourPoint Battery Powered LED Wireless”, www.corelighting.co.uk/product-item/uplighter-wireless-battery-led-rgbw-colourpoint/, published Dec. 12, 2016, retrieved Jul. 24, 2019 via the “Internet Wayback Machine” at web.archive.org/web/20161212044352/http://www.corelighting.co.uk/product-item/uplighter-wireless-battery-led-rgbw-colourpoint/.

A.D.J. Supply Europe B.V., “Element QAIP”, www.americandj.eu/en/element-qaip.html, published Jul. 17, 2017, retrieved Aug. 9, 2019 via the “Internet Wayback Machine” at web.archive.org/web/20170717164338/https://www.americandj.eu/en/element-qaip.html.

Prolight Concepts Group Limited, “Rapid QB1 RGBA”, prolight.co.uk/product/rapid-qb1-rgba, published Dec. 22, 2017, retrieved Aug. 9, 2019 via the “Internet Wayback Machine” at web.archive.org/web/20171222132411/https://prolight.co.uk/product/rapid-qb1-rgba.

* cited by examiner

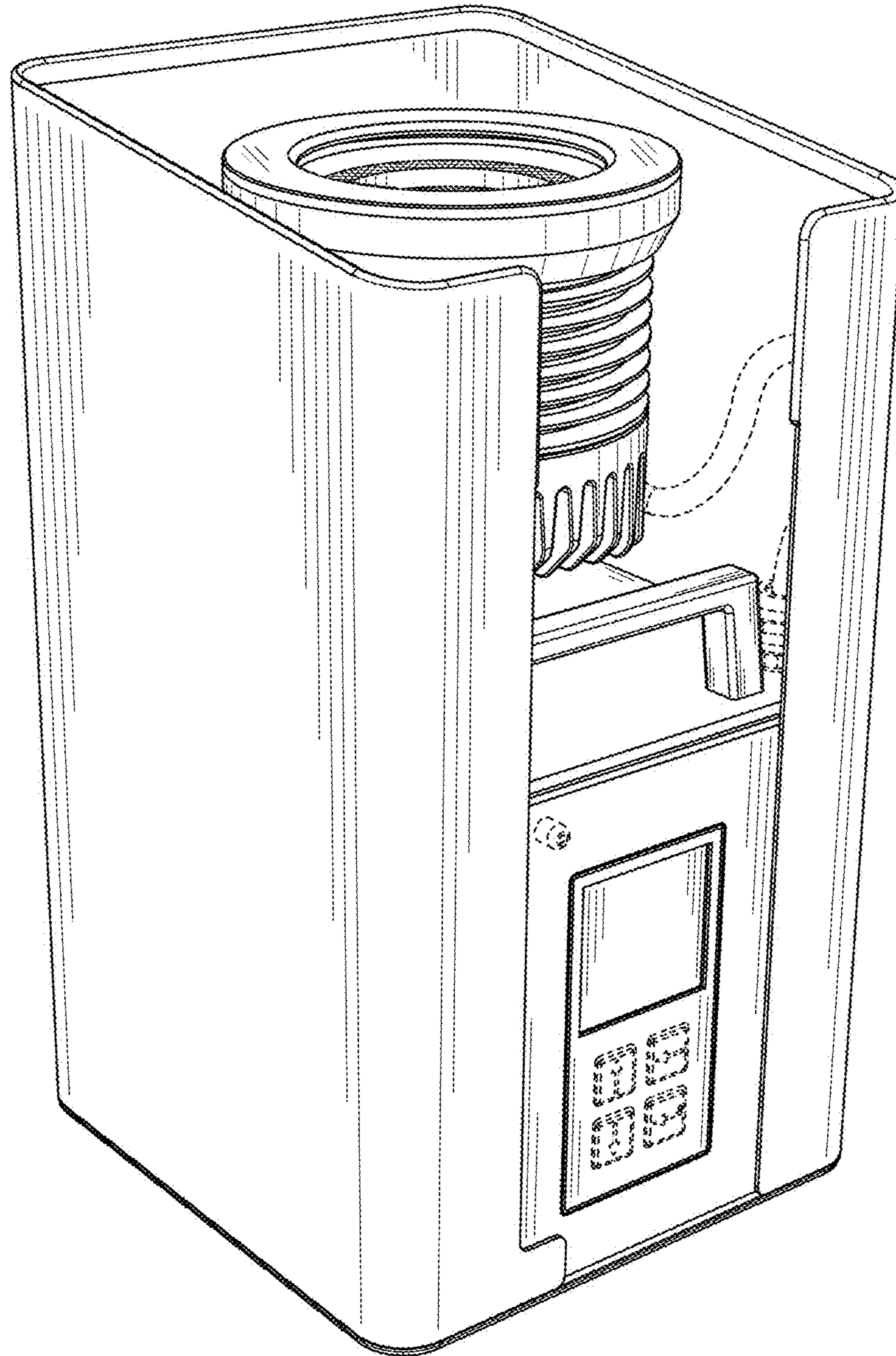


FIG. 1

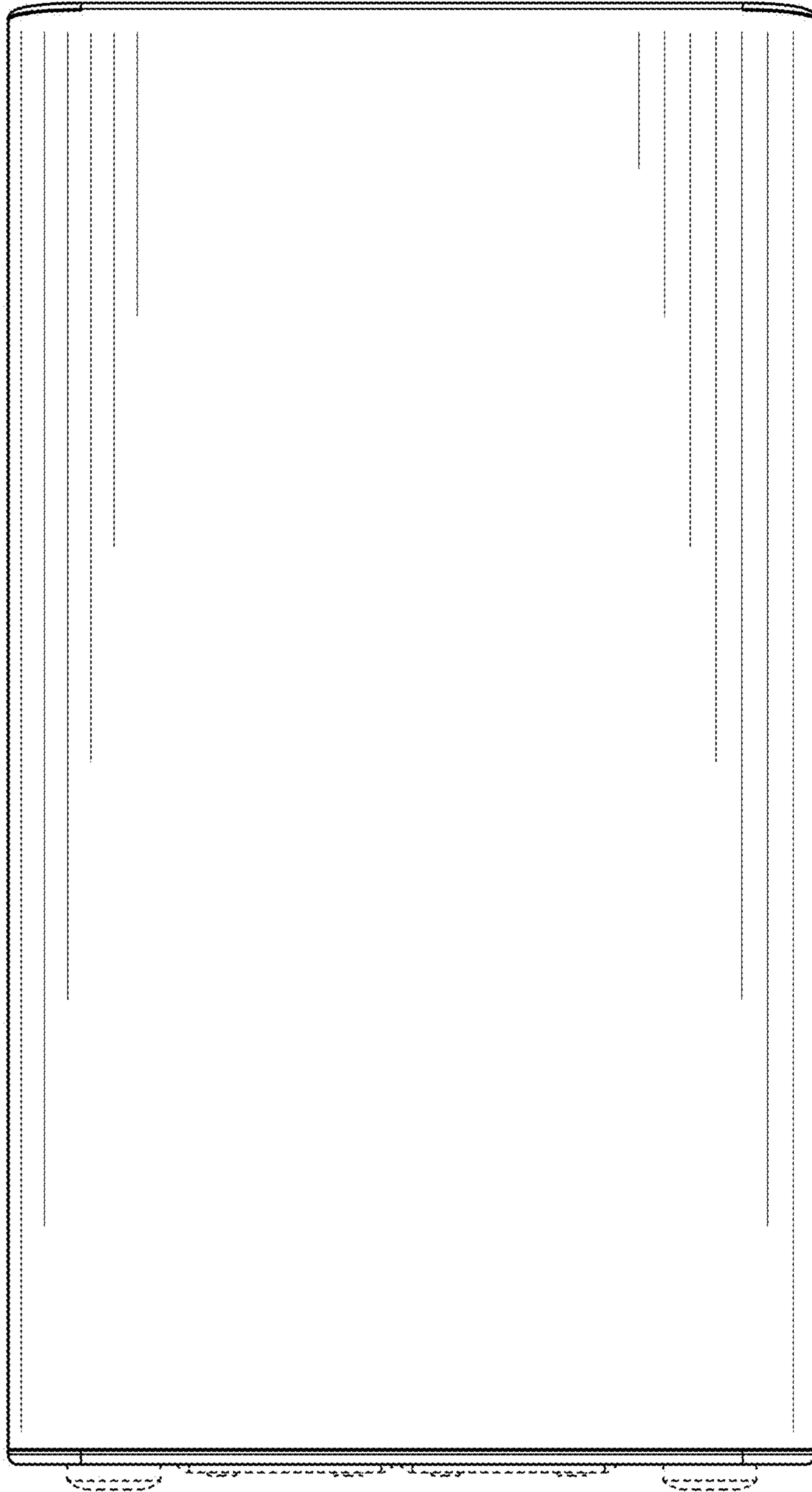


FIG. 2

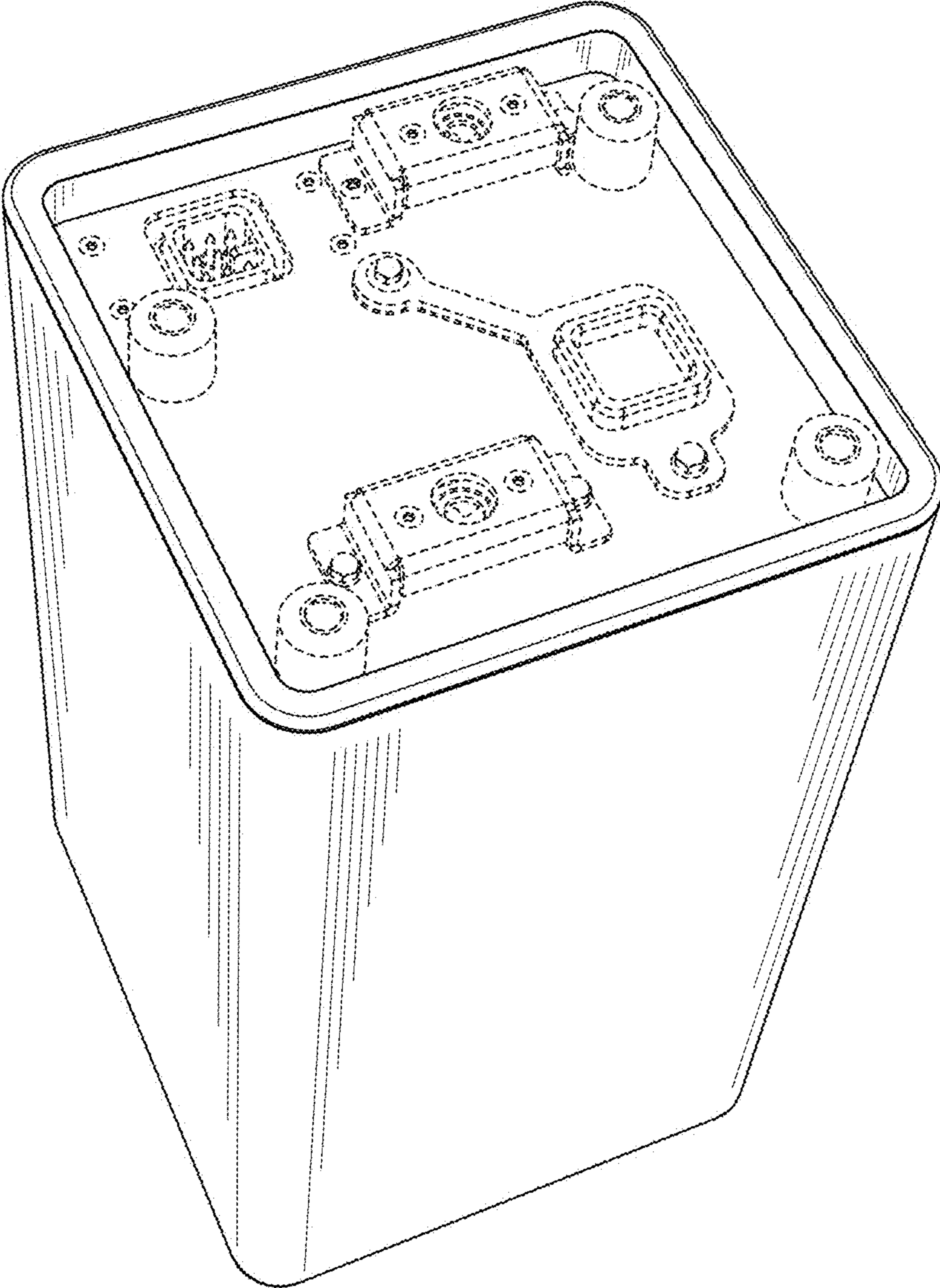


FIG. 3

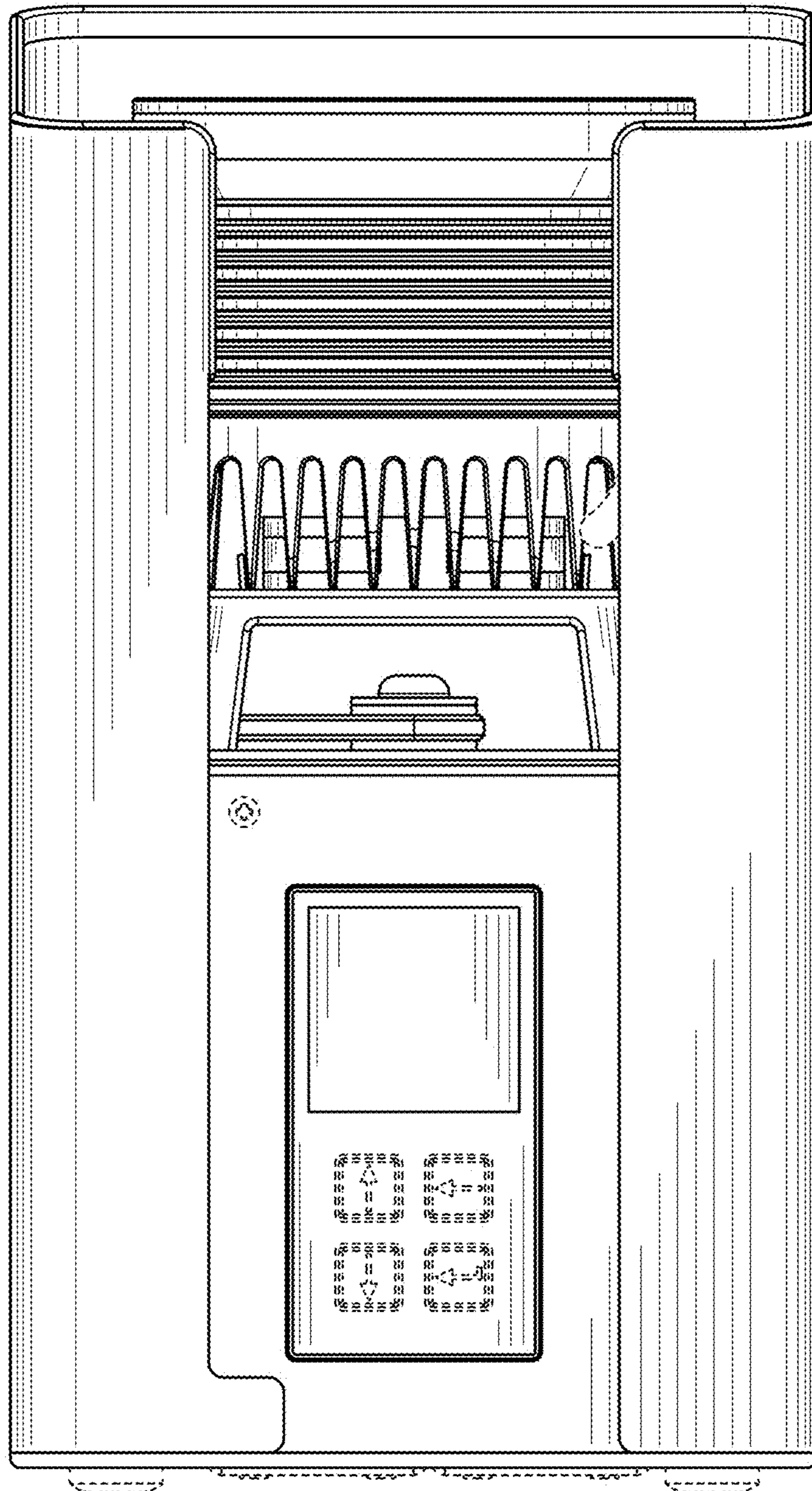


FIG. 4

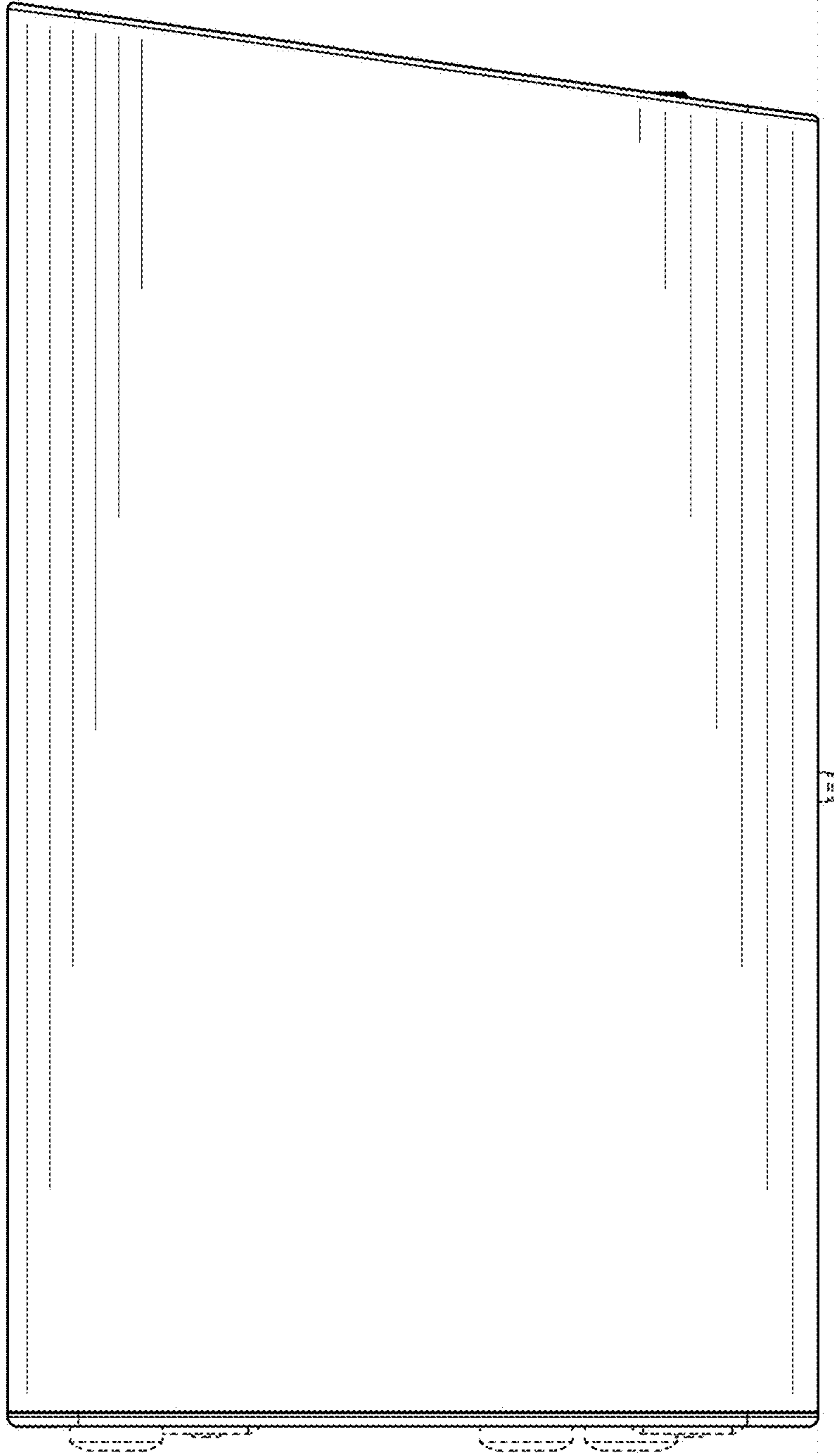


FIG. 5

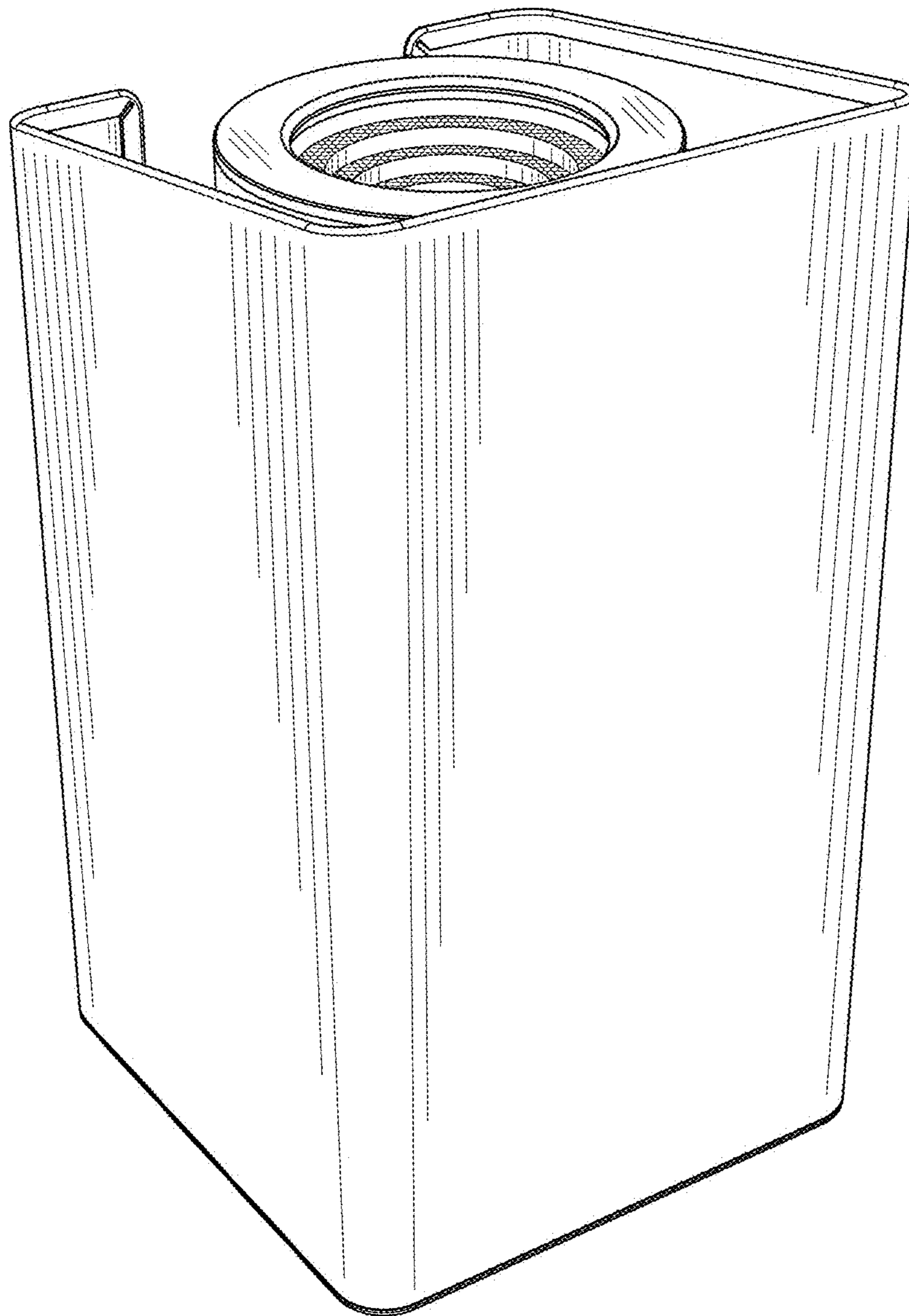


FIG. 6

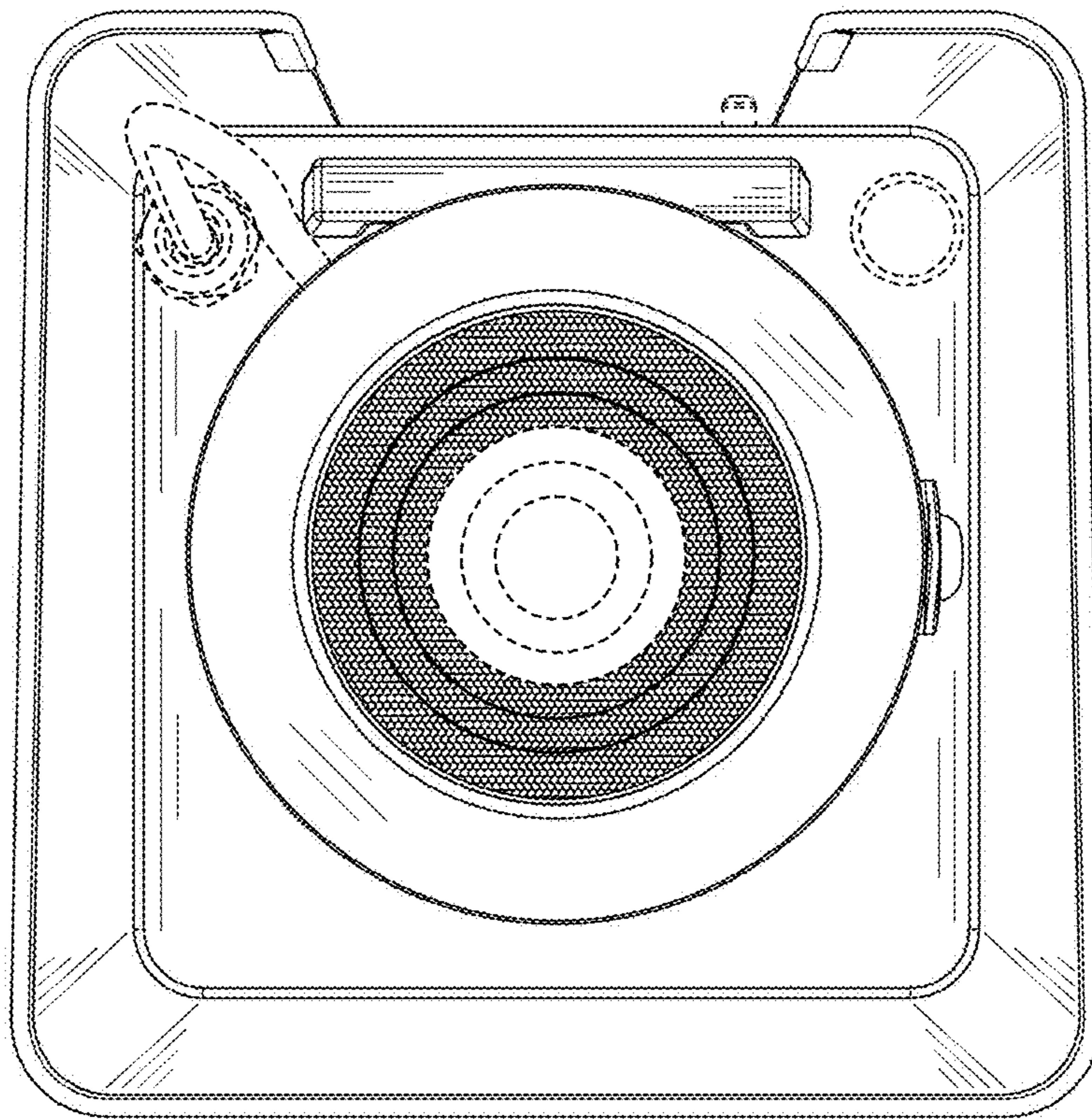


FIG. 7