



US00D951509S

(12) **United States Design Patent** (10) **Patent No.:** **US D951,509 S**
Staton (45) **Date of Patent:** **** May 10, 2022**

(54) **LIGHT WITH HOUSING**
(71) Applicant: **NEWTONOID TECHNOLOGIES, L.L.C.**, Liberty, MO (US)
(72) Inventor: **Fielding B. Staton**, Liberty, MO (US)
(73) Assignee: **Newtonoid Technologies, L.L.C.**, Liberty, MO (US)
(**) Term: **15 Years**
(21) Appl. No.: **29/717,886**
(22) Filed: **Dec. 19, 2019**
(51) **LOC (13) Cl.** **26-02**
(52) **U.S. Cl.**
USPC **D26/49**; D26/24; D26/61
(58) **Field of Classification Search**
USPC D26/9-10, 24, 37-52, 72-73, 113, D26/118-119, 123-124, 61; D16/208, D16/209, 101, 211
CPC F21Y 2115/10; F21Y 2105/10; F21Y 2103/10; F21Y 2103/00; F21Y 2105/00; F21Y 2105/18; F21Y 2107/40; F21Y 2113/00; F21Y 2115/15; F21Y 2115/20; F21Y 2115/30; F21V 15/01; F21V 31/005; F21V 21/30; F21V 29/507; F21V 29/74; F21V 29/83; F21V 15/015; F21V 23/06; F21V 29/763; F21V 23/006; F21V 23/008; F21V 5/045; F21V 14/02; F21V 15/012; F21V 23/007; F21V 23/04; F21V 29/70; F21V 29/76; F21V 17/002; F21V 17/12; F21V 17/16; F21V 21/088; F21V 23/0471; F21V 25/12; F21V 29/67; F21V 29/77; F21V 29/89; F21V 3/062; F21V 5/04; F21V 11/14; F21V 13/02; F21V 14/065; F21V 17/164; F21V 21/02; F21V 21/025; F21V 21/04; F21V 21/0885; F21V 21/112; F21V 23/001; F21V 23/002; F21V 23/009; F21V 23/0414; F21V 23/0442; F21V 23/0464;
(Continued)

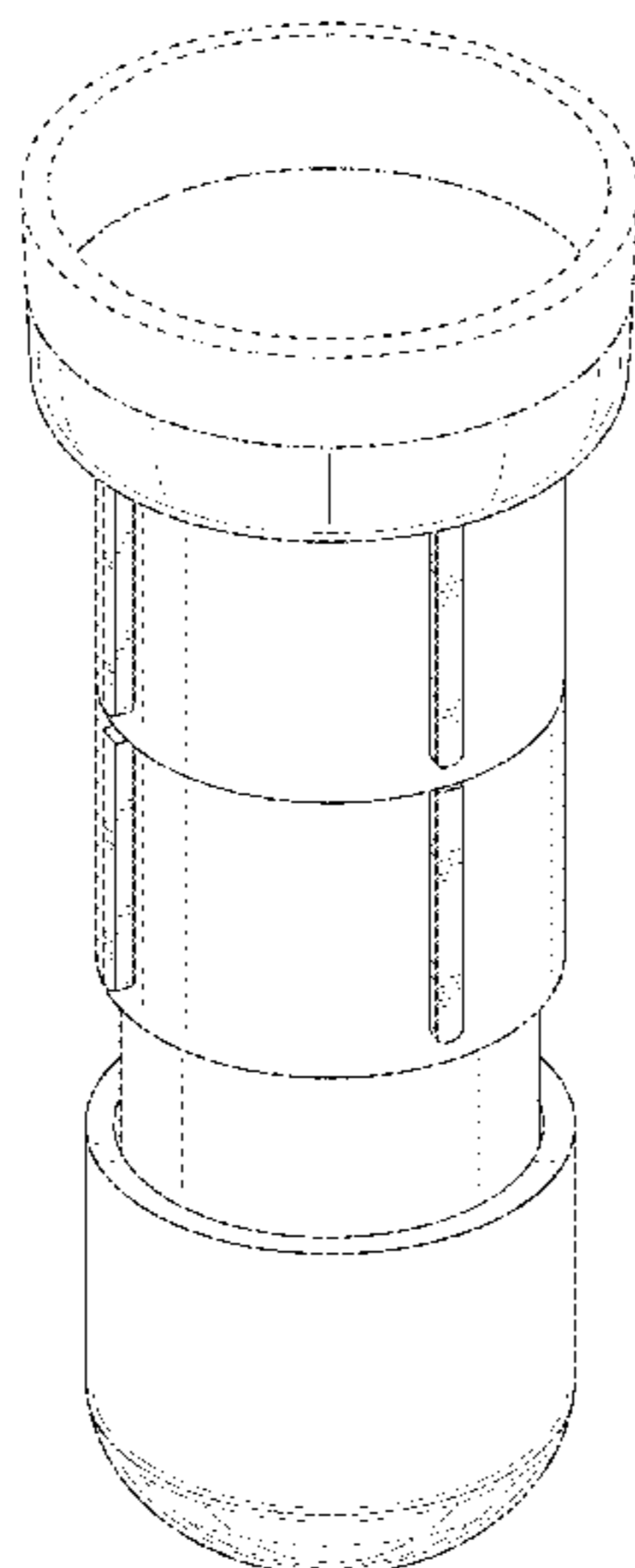
(56) **References Cited**
U.S. PATENT DOCUMENTS
D29,301 S * 9/1898 Fleming D26/24
D294,069 S * 2/1988 Morrison D26/104
(Continued)

FOREIGN PATENT DOCUMENTS
CN 202030502560.3 * 1/2021
JP D2016-7808 * 7/2017
Primary Examiner — Marissa J Cash
Assistant Examiner — William B Melliar
(74) *Attorney, Agent, or Firm* — Avek IP, LLC

(57) **CLAIM**
The ornamental design for a light with housing, as shown and described.

DESCRIPTION
FIG. 1 is a perspective view of a light with housing showing the new design in an unassembled configuration.
FIG. 2 is a side view of the light with housing of FIG. 1, with all other sides being identical.
FIG. 3 is a top view of the light with housing of FIG. 1.
FIG. 4 is a bottom view of the light with housing of FIG. 1.
FIG. 5 is a perspective view of the light with housing of FIG. 1, shown in an assembled configuration.
FIG. 6 is a side view of the light with housing of FIG. 1, shown in the assembled configuration, with all other sides being identical.
FIG. 7 is a top view of the light with housing of FIG. 1, shown in the assembled configuration; and,
FIG. 8 is a bottom view of the light with housing of FIG. 1, shown in the assembled configuration.
The dashed lines in the drawings represent environmental structure that forms no part of the claimed design. The dash-dot-dash lines in the drawings represent boundaries that do not form part of the claimed design.

1 Claim, 8 Drawing Sheets



(58) Field of Classification Search

CPC F21V 29/60; F21V 29/773; F21V 29/87;
 F21V 31/00; F21V 33/006; F21V 3/00;
 F21V 11/02; F21V 11/06; F21V 11/183;
 F21V 14/003; F21V 14/025; F21V 14/04;
 F21V 14/045; F21V 14/06; F21V 15/013;
 F21V 17/00; F21V 17/02; F21V 17/107;
 F21V 17/166; F21V 19/0015; F21V
 19/003; F21V 19/04; F21V 21/00; F21V
 21/046; F21V 21/047; F21V 21/084;
 F21V 21/116; F21V 21/14; F21V 21/15;
 F21V 21/32; F21V 21/40; F21V 23/003;
 F21V 23/005; F21V 23/023; F21V
 23/0428; F21V 23/0435; F21V 29/505;
 F21V 29/56; F21V 29/58; F21V 29/59;
 F21V 29/677; F21V 29/86; F21V
 33/0004; F21V 33/0052; F21V 33/0084;
 F21V 3/02; F21V 3/04; F21V 3/049;
 F21V 5/006; F21V 5/007; F21V 5/048;
 F21V 7/00; F21V 7/0016; F21V 7/0091;
 F21V 7/04; F21V 7/26; F21V 7/28

See application file for complete search history.

(56)

References Cited

U.S. PATENT DOCUMENTS

| | | | |
|-------------------|---------|-------------------|---------------------|
| D392,407 S * | 3/1998 | Johnson | D26/104 |
| D443,941 S * | 6/2001 | Boeckley | D26/67 |
| D467,363 S * | 12/2002 | West | D19/2 |
| D468,471 S * | 1/2003 | Chen | D26/67 |
| D560,006 S * | 1/2008 | Garner | D26/37 |
| D599,045 S * | 8/2009 | Castellucci | D26/37 |
| D616,777 S * | 6/2010 | Jackson | D10/114.8 |
| D655,841 S * | 3/2012 | Coleman, Jr. | D26/63 |
| D791,852 S * | 7/2017 | Harding | D16/208 |
| D874,044 S * | 1/2020 | Peng | D26/41 |
| D903,182 S * | 11/2020 | Eads | D26/88 |
| D903,183 S * | 11/2020 | Eads | D26/89 |
| D918,433 S * | 5/2021 | Koptis | D26/9 |
| D935,079 S * | 11/2021 | Staton | F21L 4/00 D26/49 |
| 2017/0130914 A1 * | 5/2017 | Gassauer | F21V 23/023 |

* cited by examiner

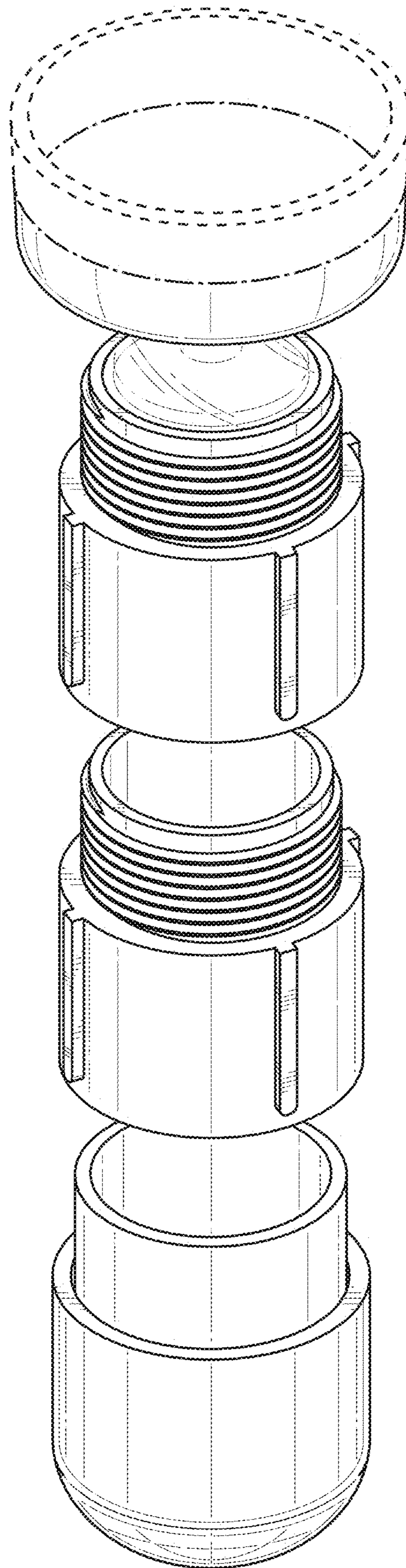


FIG. 1

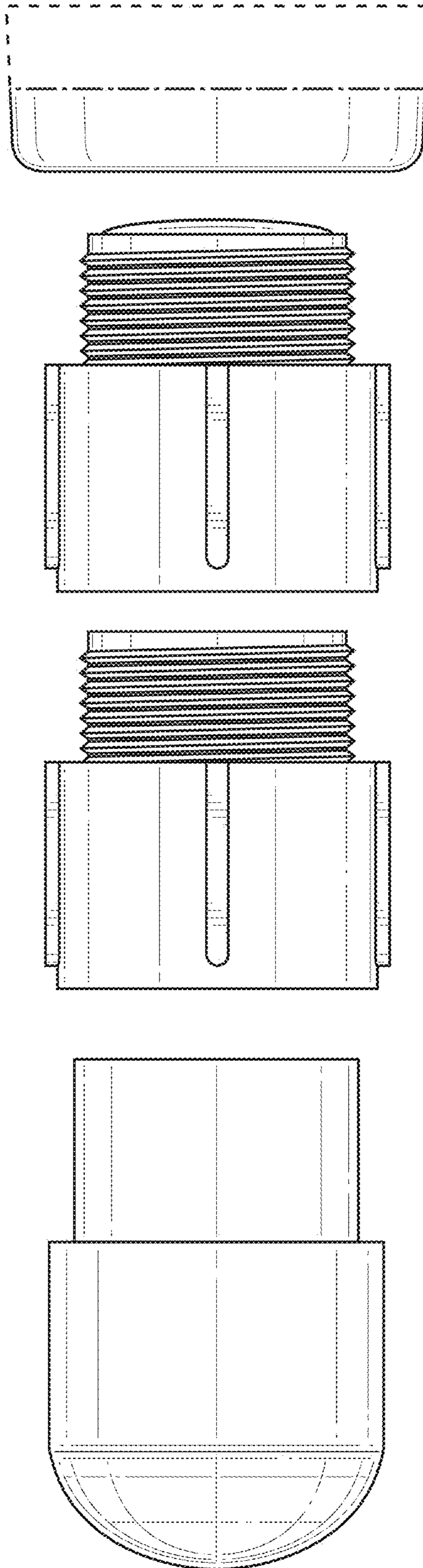


FIG. 2

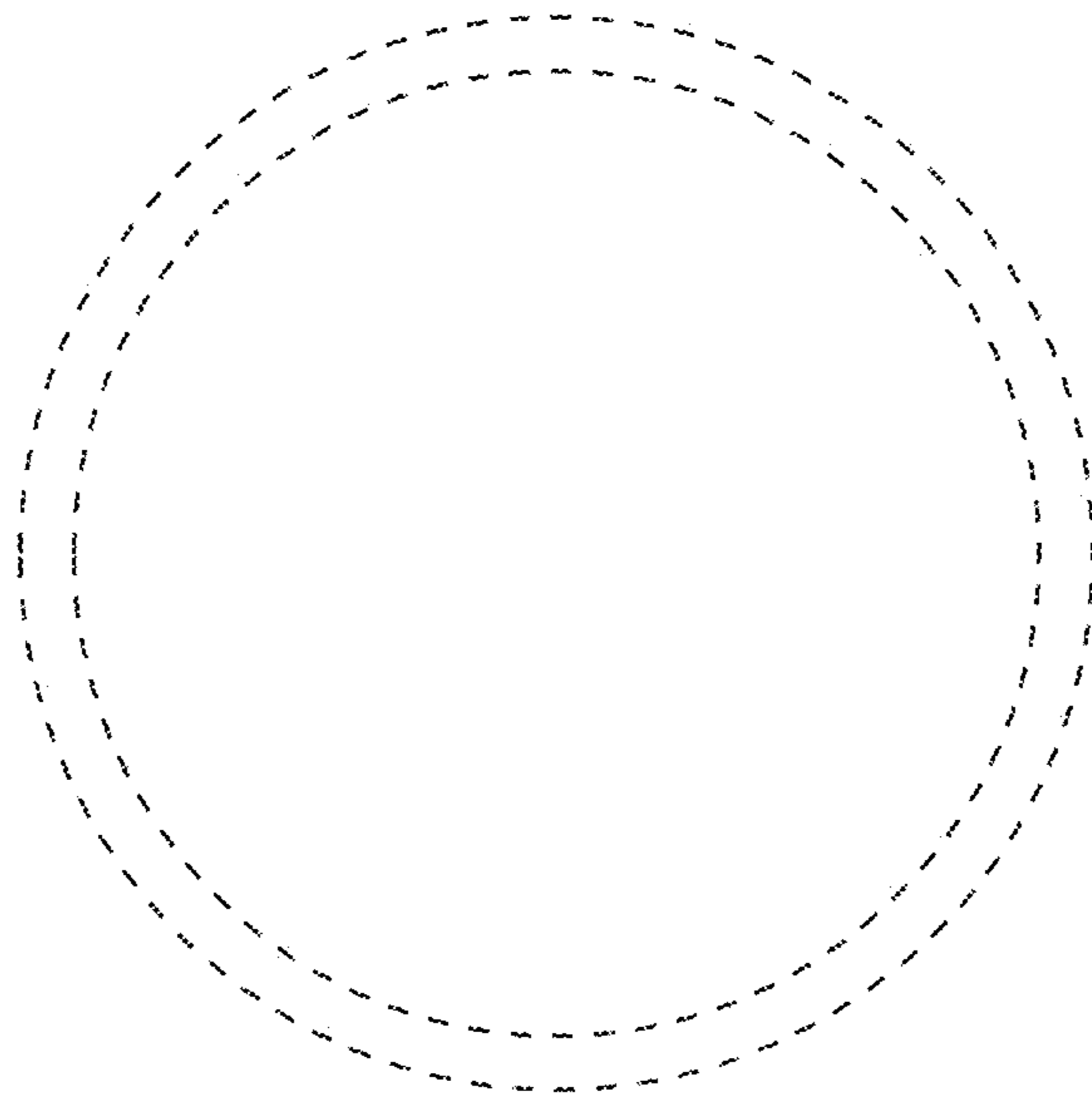


FIG. 3

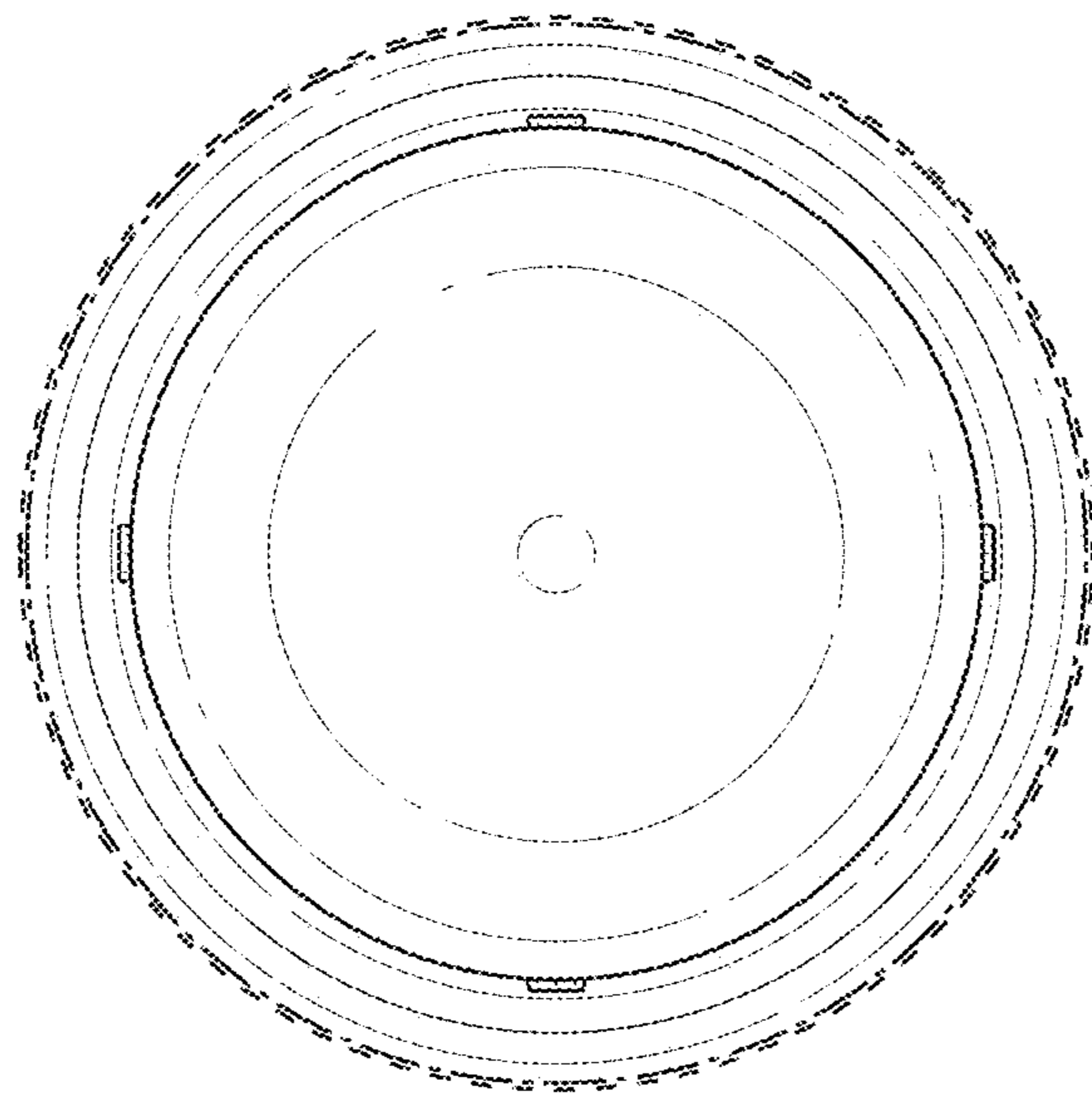


FIG. 4

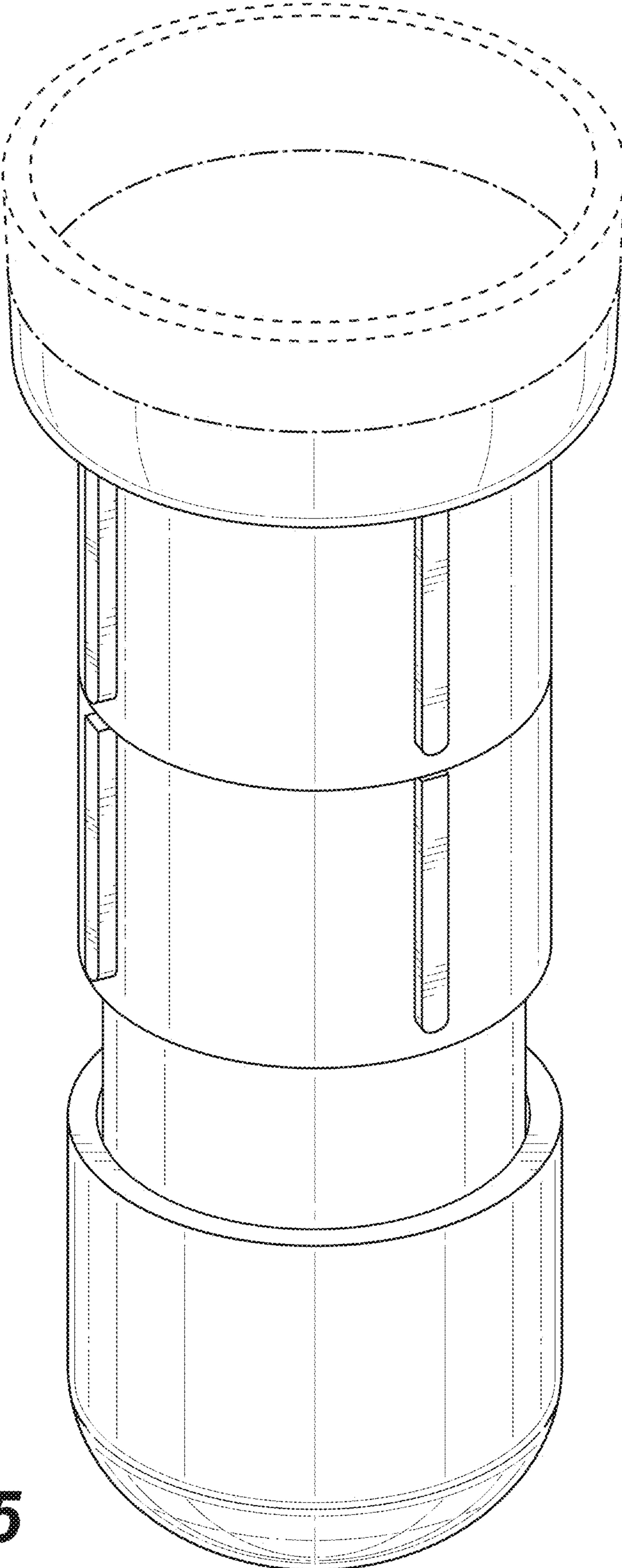


FIG. 5

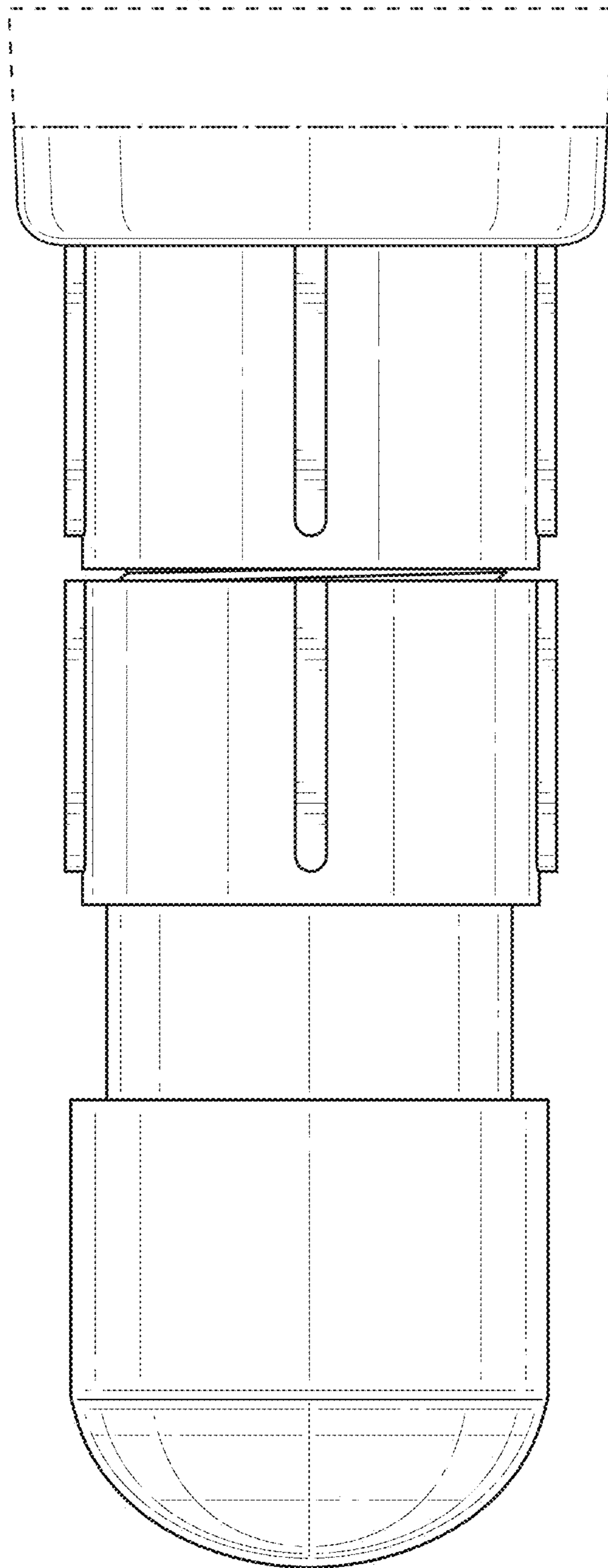


FIG. 6

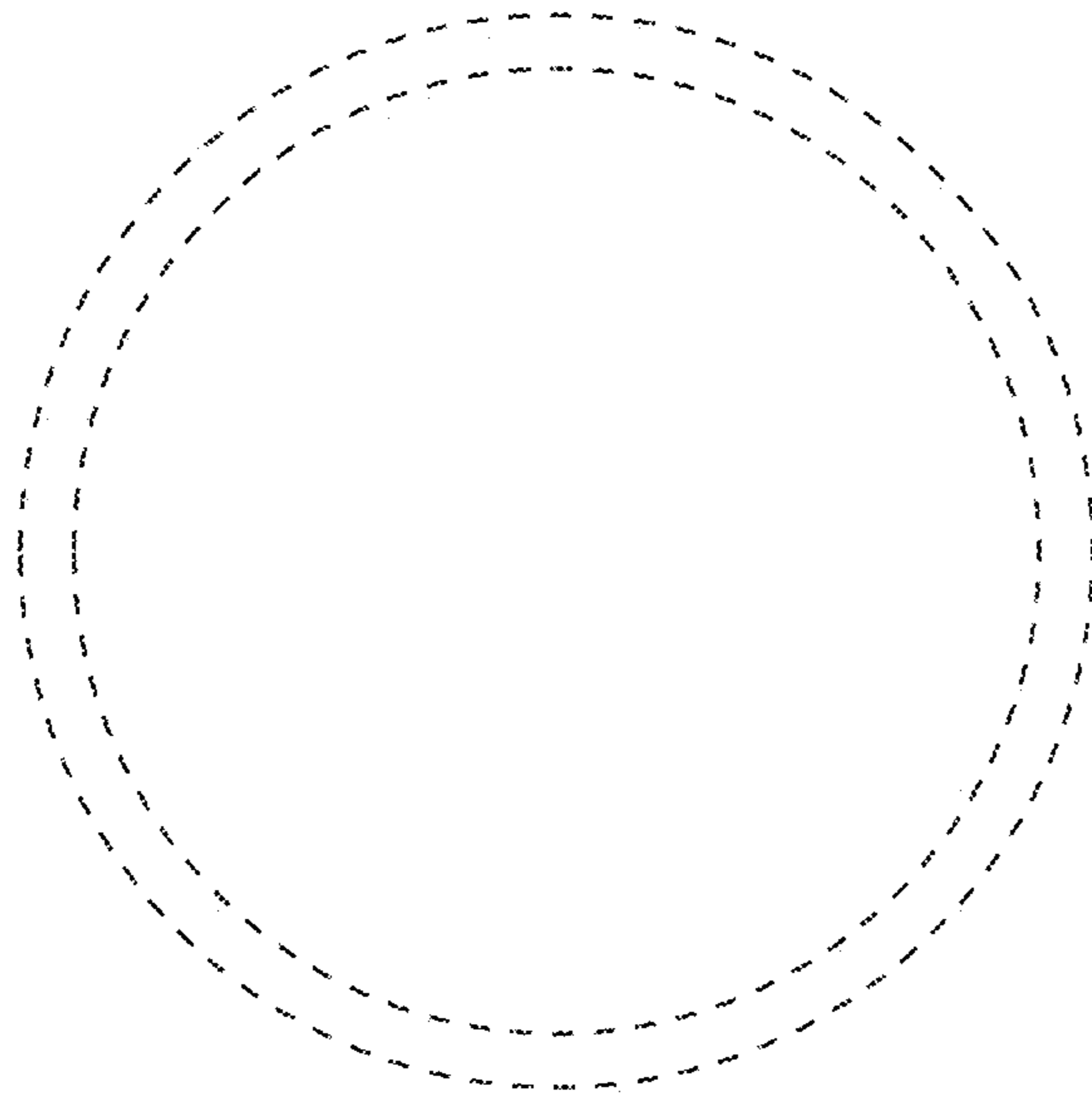


FIG. 7

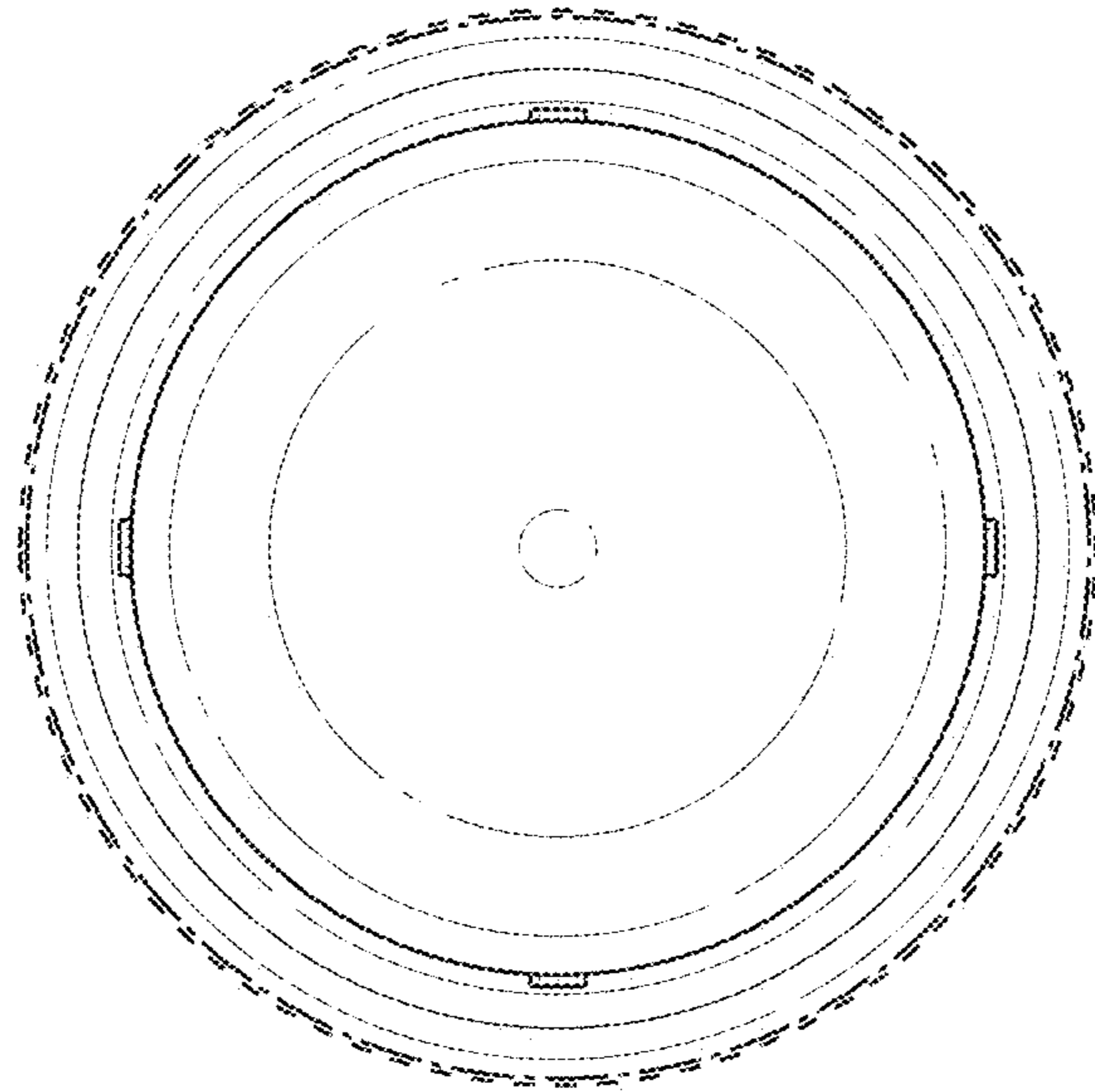


FIG. 8