



US00D951508S

(12) **United States Design Patent**
Guozheng

(10) **Patent No.:** **US D951,508 S**

(45) **Date of Patent:** **** May 10, 2022**

(54) **TACTICAL FLASHLIGHT**

FOREIGN PATENT DOCUMENTS

(71) Applicant: **Chen Guozheng**, Lufeng (CN)

CN 3014527 * 7/1992 F21V 33/0064
GB 2068746 * 3/1998

(72) Inventor: **Chen Guozheng**, Lufeng (CN)

(Continued)

(**) Term: **15 Years**

OTHER PUBLICATIONS

(21) Appl. No.: **29/697,903**

“Streamlight 69120 TLR-2 C4 LED Rail Mounted Weapon Flashlight,” Oct. 19, 2006, amazon.com, site visited Oct. 28, 2021, URL: https://www.amazon.com/Streamlight-69120-Mounted-Weapon-Flashlight/dp/B001C5XJG4/ref=pd_ipo_3?pd_rd_i=B001C5XJG4&th=1 (Year: 2006).*

(22) Filed: **Jul. 12, 2019**

(Continued)

(51) **LOC (13) Cl.** **26-02**

(52) **U.S. Cl.**
USPC **D26/49**

(58) **Field of Classification Search**
USPC D26/37-44, 46-52; D10/109.1, 111-115;
D22/108-110
CPC F41G 1/35; F41G 11/003; F41G 11/00;
F21V 21/088; F21V 21/00; F21V
21/0885; H05K 2201/10121
See application file for complete search history.

Primary Examiner — Eric L Goodman
Assistant Examiner — Sarah L Smith
(74) *Attorney, Agent, or Firm* — Runit Ranjit Kanakia

(57) **CLAIM**

I claim the ornamental design for a tactical flashlight, as shown and described.

DESCRIPTION

(56) **References Cited**

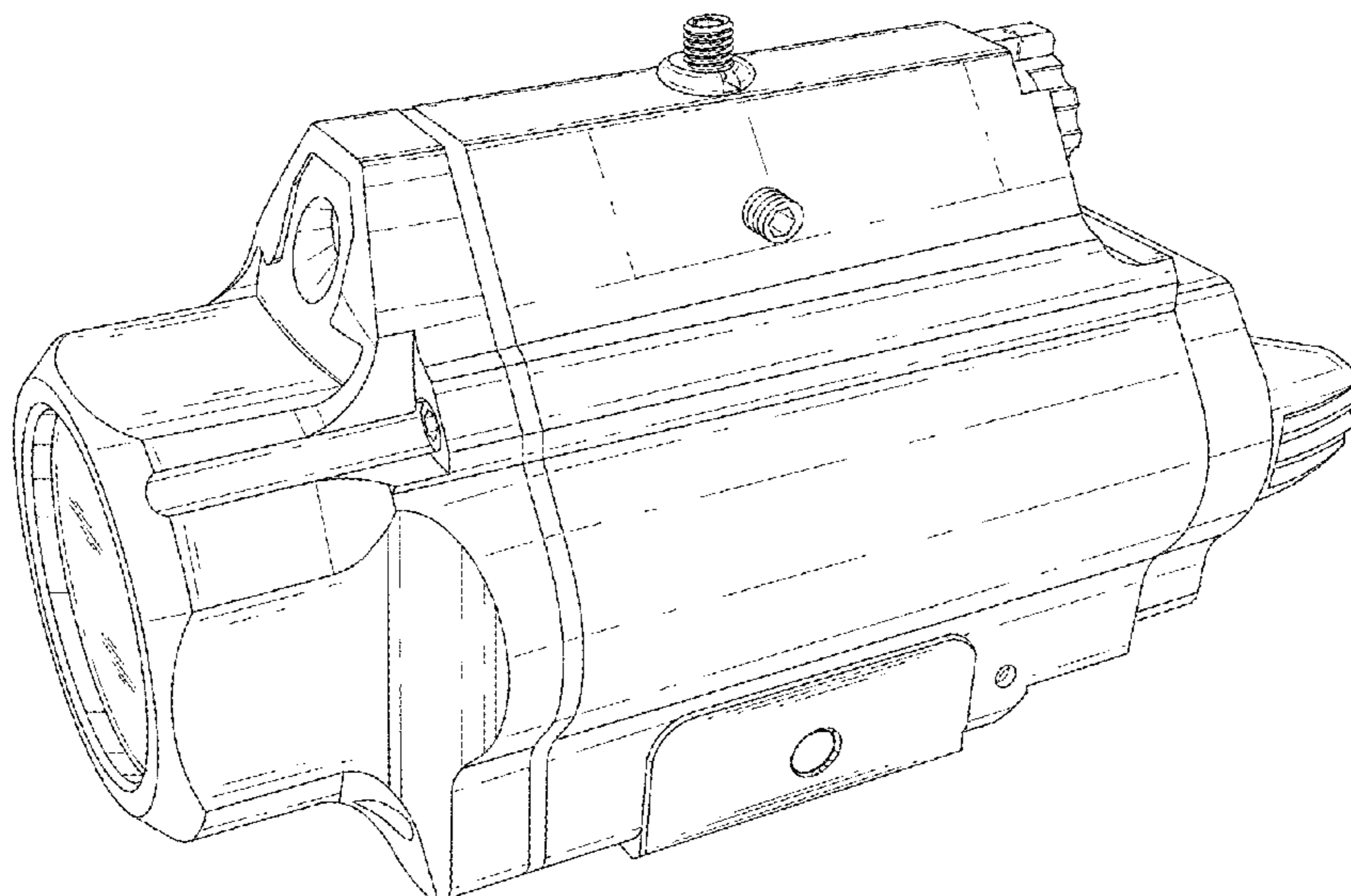
U.S. PATENT DOCUMENTS

- D449,394 S * 10/2001 Parker F21V 21/0885
D26/37
- D485,626 S * 1/2004 Parker D26/37
- 7,188,978 B2 * 3/2007 Sharrah F21S 9/02
362/396
- D548,385 S * 8/2007 Sharrah D26/51
- D568,508 S * 5/2008 Howe D26/38
- D578,599 S * 10/2008 Cheng D16/130
- D612,970 S * 3/2010 Sharrah D26/60
- D674,525 S * 1/2013 Sharrah F21S 9/02
D26/60
- D770,317 S * 11/2016 Heggemann D10/111
- D800,362 S * 10/2017 Galli D26/60
- D812,178 S * 3/2018 Galli D22/108
- 10,365,069 B1 * 7/2019 Tayon F41G 11/003
- D872,334 S * 1/2020 Fan D26/60
- D872,919 S * 1/2020 Fan D26/60

(Continued)

FIG. 1 is a Perspective view of a tactical flashlight showing my new design;
FIG. 2 is a Front view of the tactical flashlight as shown in FIG. 1;
FIG. 3 is a Back view of the tactical flashlight as shown in FIG. 1;
FIG. 4 is a Left-side view of the tactical flashlight as shown in FIG. 1;
FIG. 5 is a Right-side view of the tactical flashlight as shown in FIG. 1;
FIG. 6 is a Top view of the tactical flashlight as shown in FIG. 1; and,
FIG. 7 is a Bottom view of the tactical flashlight as shown in FIG. 1.
The broken lines in the drawings depict portions of the tactical flashlight that form no part of the claimed design.

1 Claim, 7 Drawing Sheets



(56)

References Cited

U.S. PATENT DOCUMENTS

D891,665 S * 7/2020 Nagano D26/60
 D898,260 S * 10/2020 Worman D26/60
 D898,261 S * 10/2020 Worman D26/60
 D907,267 S * 1/2021 Worman D26/60
 D907,269 S * 1/2021 Worman D26/60
 D907,270 S * 1/2021 Worman D26/60
 D908,182 S * 1/2021 Galli D22/108
 D913,553 S * 3/2021 Worman D26/60
 D913,554 S * 3/2021 Worman D26/60
 D918,451 S * 5/2021 Shirota D26/60
 D919,149 S * 5/2021 Worman D26/60
 D937,461 S * 11/2021 Saboo F41G 1/35
 D26/49
 11,181,258 B2 * 11/2021 Worman F21L 4/00
 2010/0097789 A1 * 4/2010 Sharrah F41G 11/003
 362/110
 2010/0176741 A1 * 7/2010 Sharrah F21V 21/0885
 315/291
 2020/0256645 A1 * 8/2020 Galli F41G 1/35
 2021/0356231 A1 * 11/2021 Tayon F41G 11/003
 2021/0404767 A1 * 12/2021 Galli F41G 1/35

FOREIGN PATENT DOCUMENTS

IL 52576 * 4/2014
 IN 251437-0001 * 4/2014
 WO WO-2021097348 A1 * 5/2021 F21V 33/0064

OTHER PUBLICATIONS

“Ade Advanced Optics Tactical Compact Rail,” Feb. 27, 2014, amazon.com, site visited Oct. 28, 2021, URL: <https://www.amazon.com/Ade-Advanced-Optics-Tactical-Flashlight/dp/B00IO8Y8F8> (Year: 2014).*

“Tacticon Armament Firefly,” Aug. 12, 2018, amazon.com, site visited Oct. 28, 2021, URL: <https://www.amazon.com/Tacticon-Armament-Flashlight-Picatiny-Switch/dp/B07GD85HVY?th=1> (Year: 2018).*

“STKR BAMFF 10.0 DUAL LED—Tactical Gun Mounted Flashlight,” May 22, 2019, youtube.com, site visited Oct. 28, 2021, URL: https://www.youtube.com/watch?v=B53Upcyi_PE (Year: 2019).*

* cited by examiner

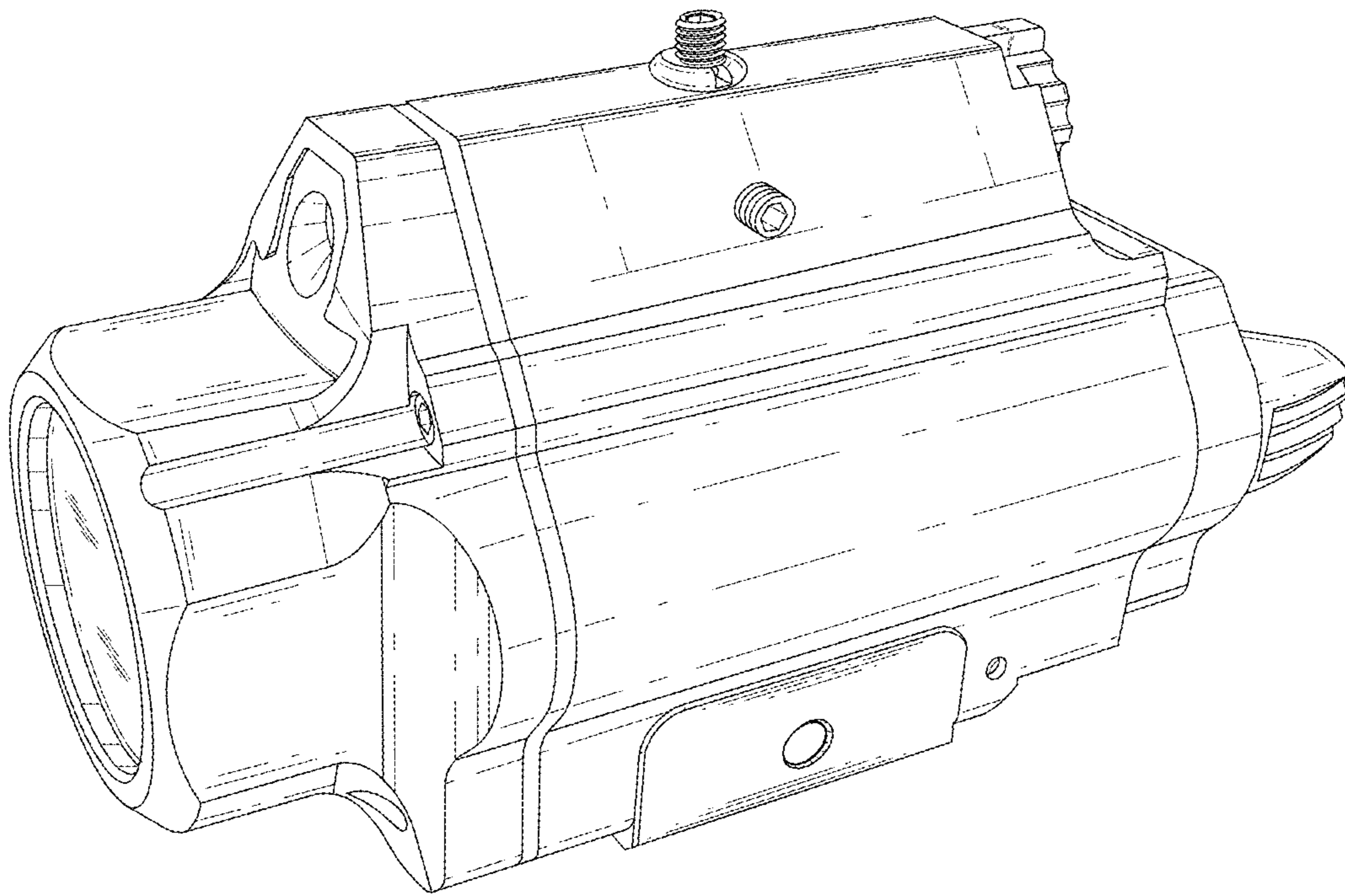


FIG. 1

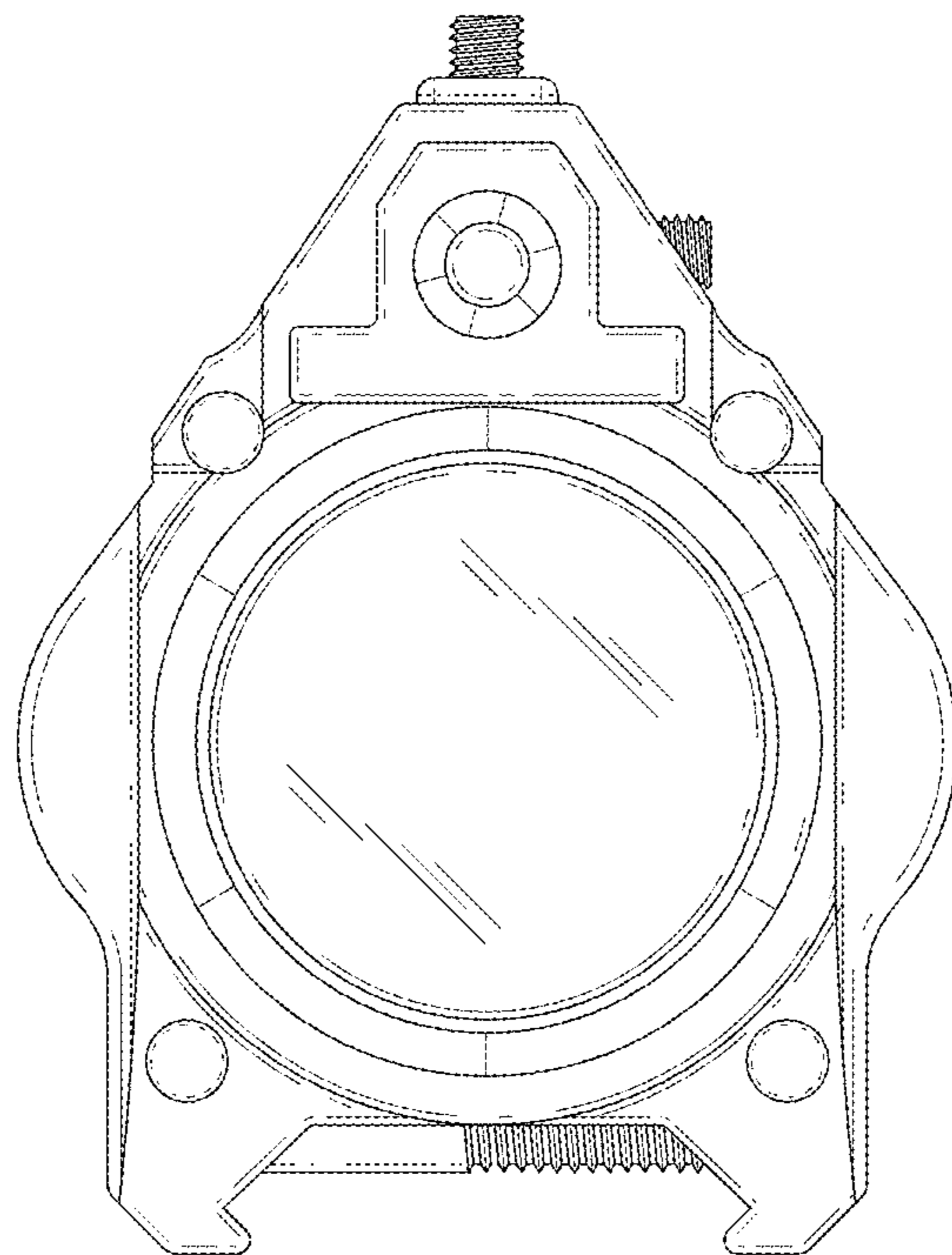


FIG. 2

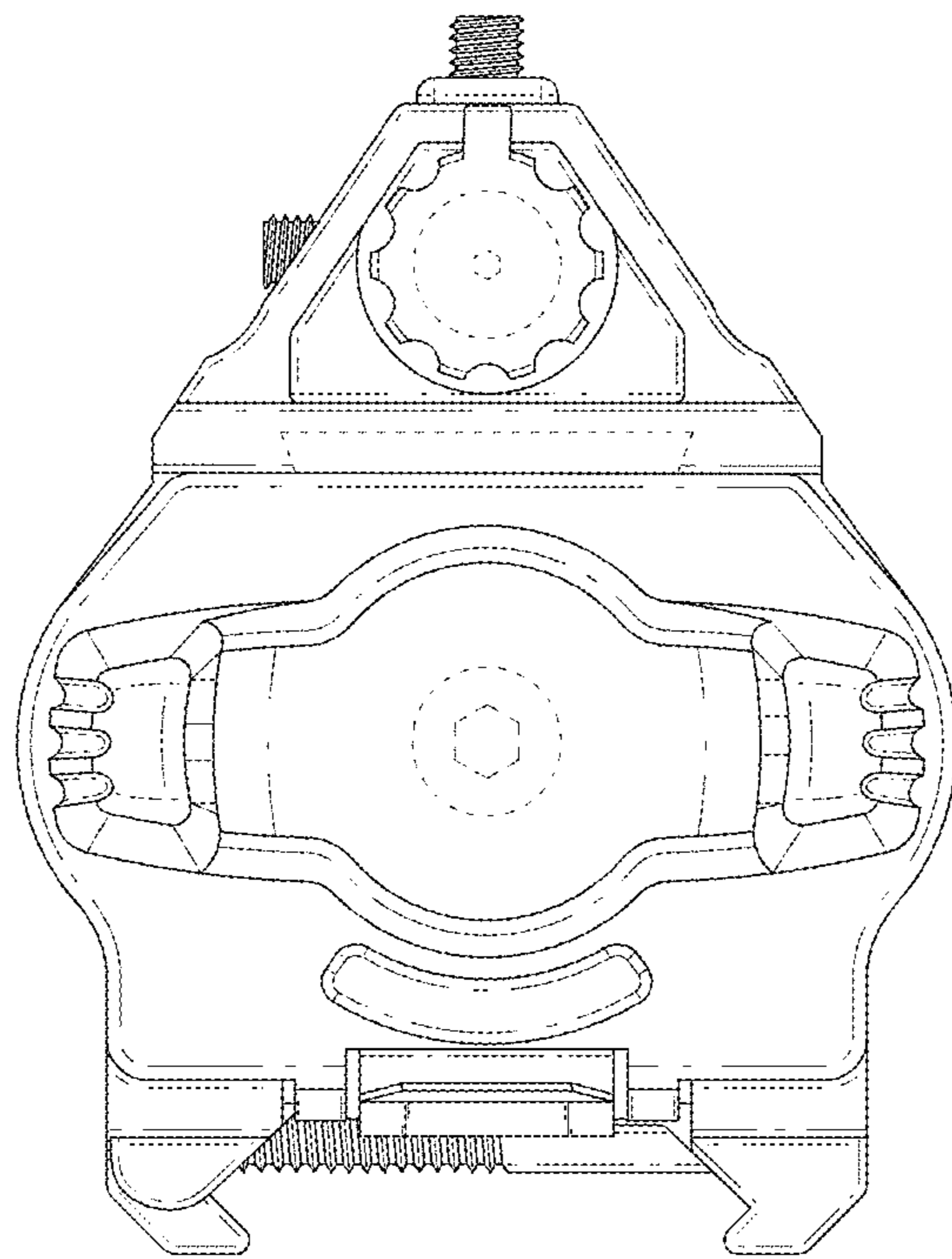


FIG. 3

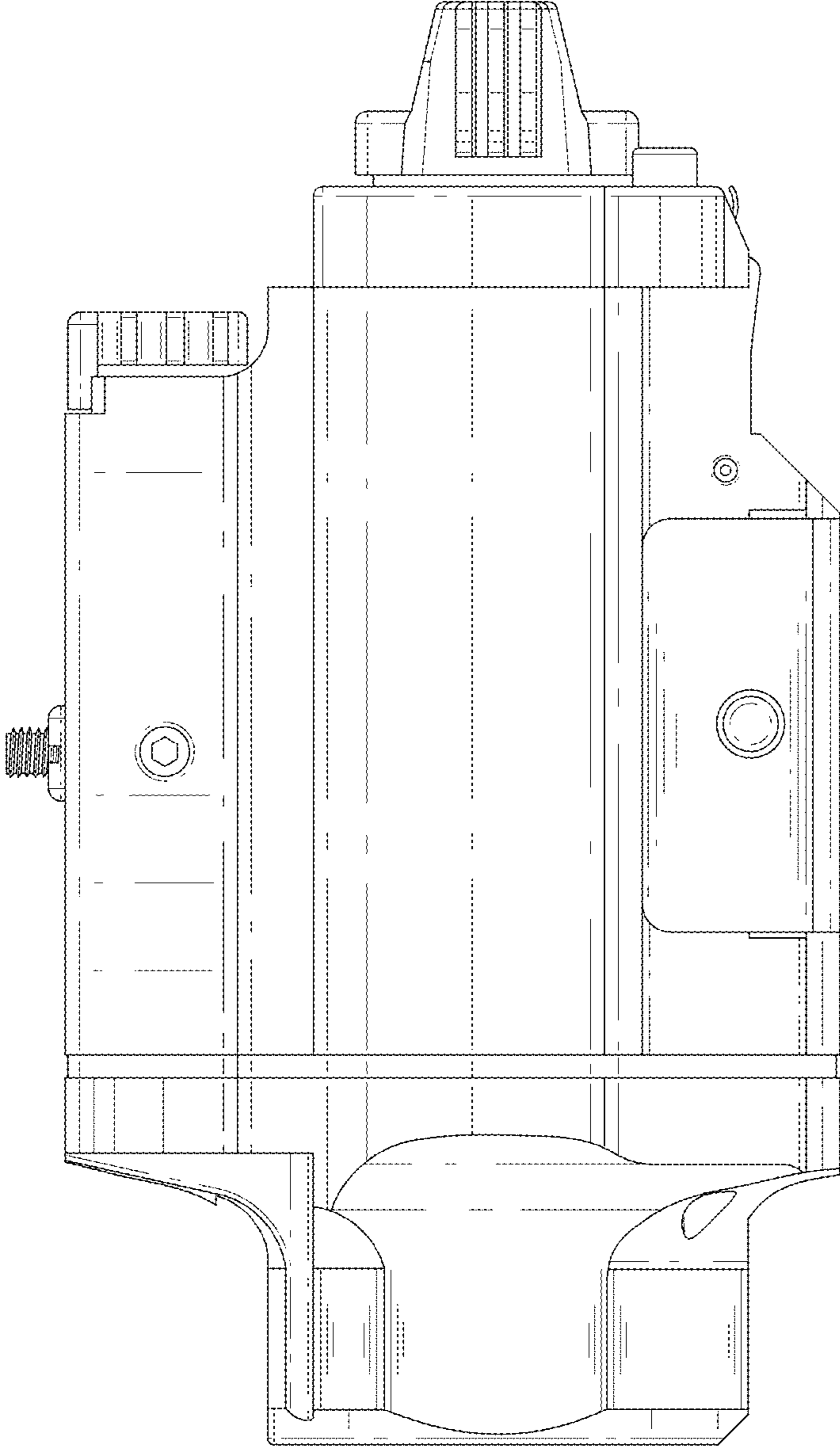


FIG. 4

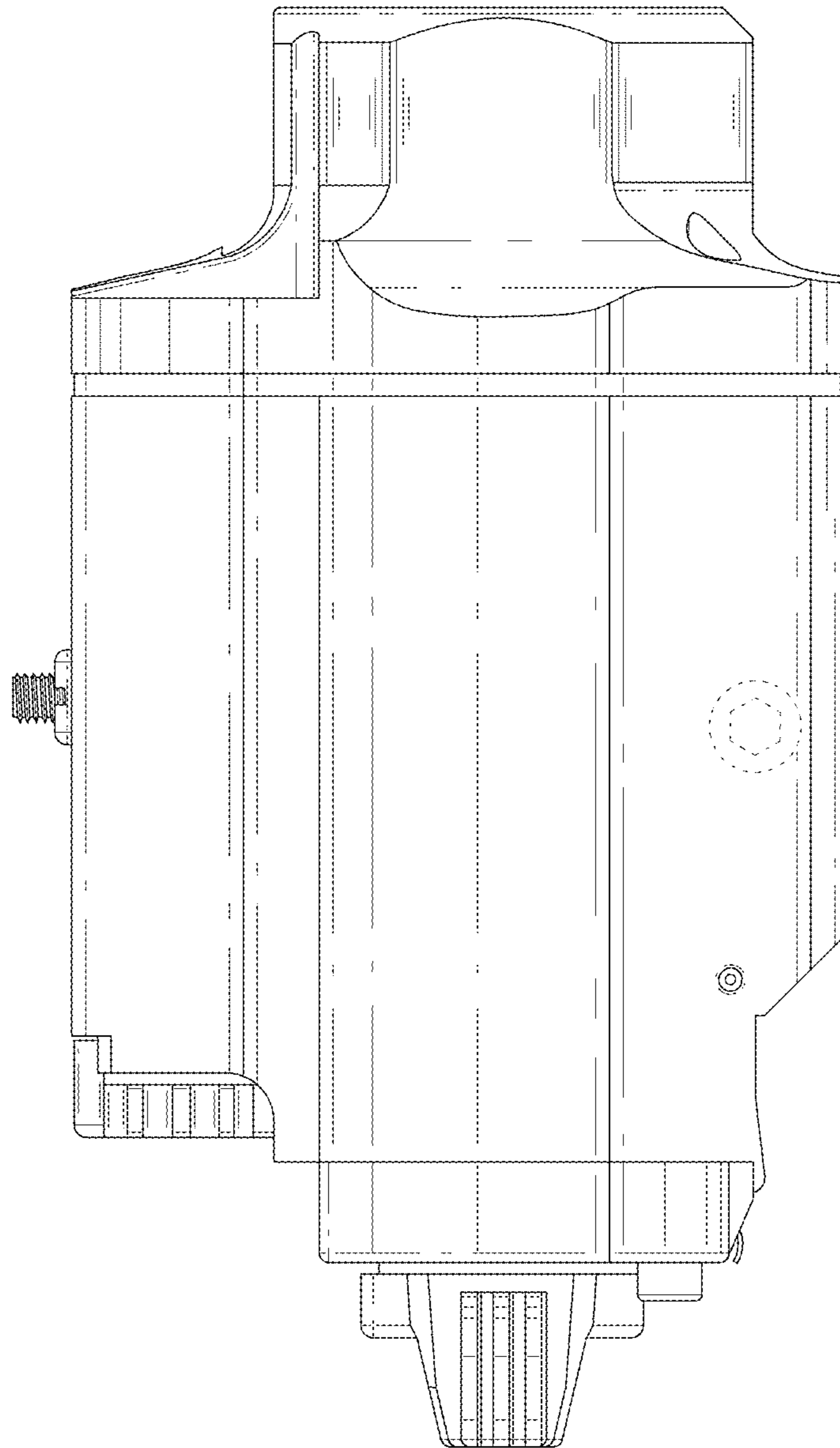


FIG. 5

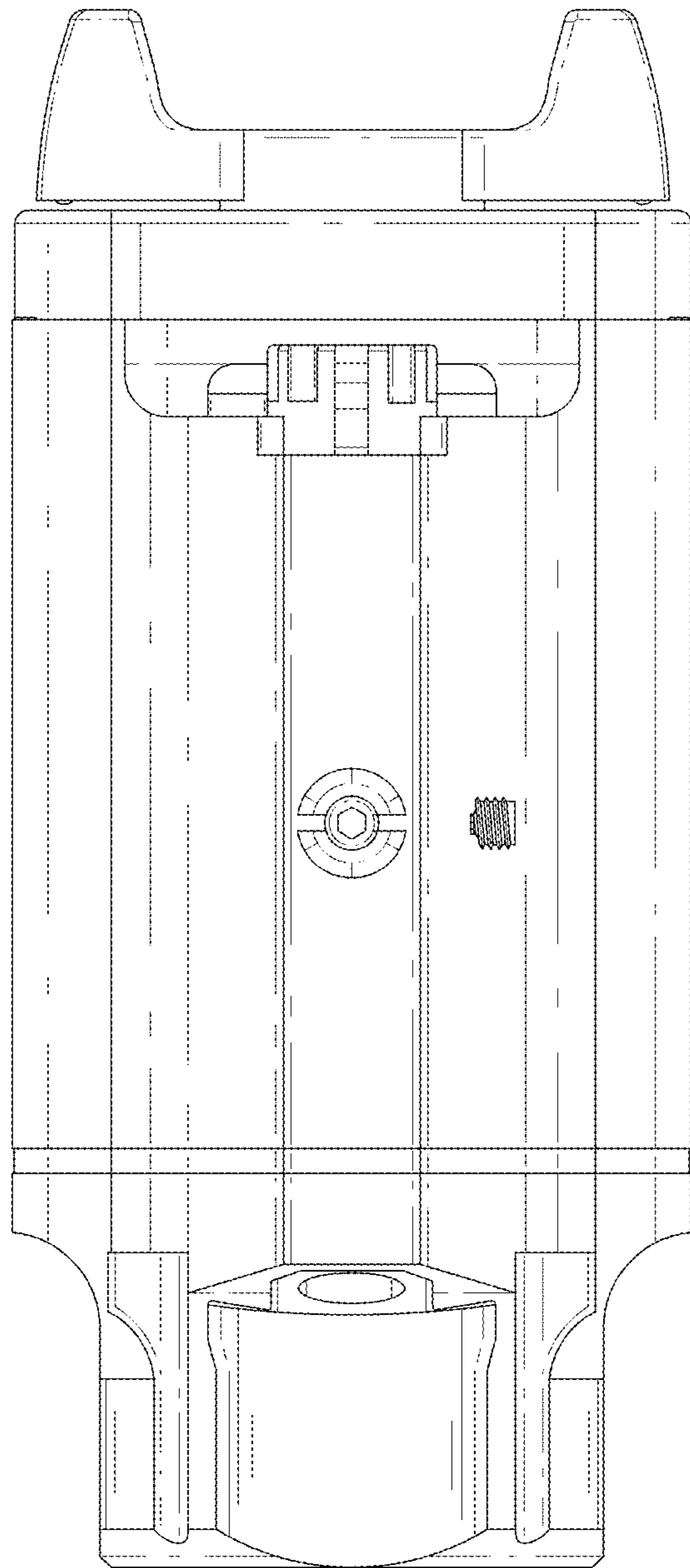


FIG. 6

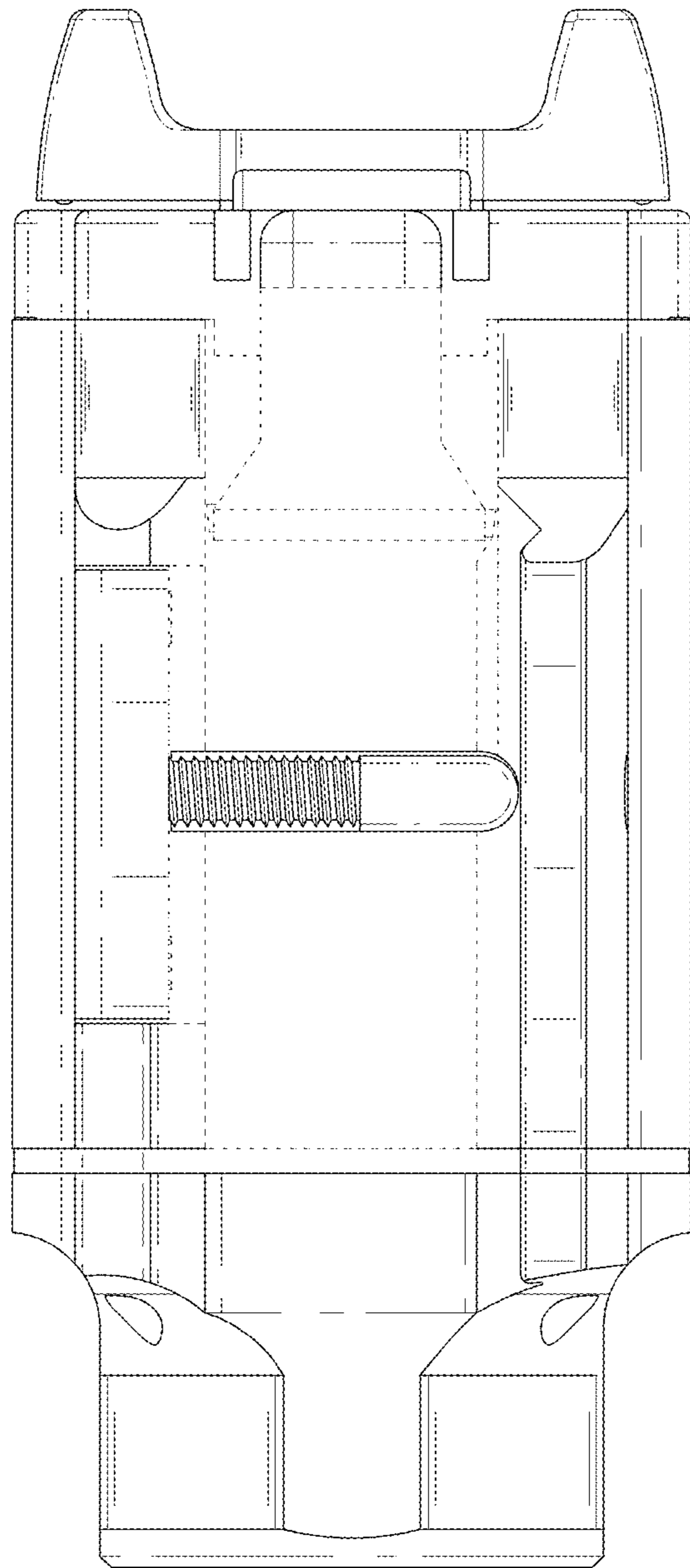


FIG. 7