



US00D951505S

(12) **United States Design Patent** (10) **Patent No.:** **US D951,505 S**
White et al. (45) **Date of Patent:** **** May 10, 2022**

(54) **HEADLAMP**

(71) Applicant: **MILWAUKEE ELECTRIC TOOL CORPORATION**, Brookfield, WI (US)

(72) Inventors: **Kevin D. White**, Milwaukee, WI (US);
Brian Cornell, West Allis, WI (US);
Duane W. Wenzel, Waukesha, WI (US)

(73) Assignee: **MILWAUKEE ELECTRIC TOOL CORPORATION**, Brookfield, WI (US)

(**) Term: **15 Years**

(21) Appl. No.: **29/689,856**

(22) Filed: **May 2, 2019**

(51) **LOC (13) Cl.** **26-02**

(52) **U.S. Cl.**
USPC **D26/39**

(58) **Field of Classification Search**

USPC D26/24, 37-51, 60-61, 63, 113, 119,
D26/120, 124, 138

CPC F21Y 2115/10; F21Y 2101/00; F21Y
2103/10; F21Y 2105/10; F21Y 2105/16;
F21Y 2113/10; F21Y 2113/13; F21Y
2115/00; F21W 2102/13; F21W 2102/18;
F21W 2102/135; F21W 2102/19; F21W
2102/145; F21W 2102/16; F21W
2107/17; F21W 2102/00; F21W 2102/10;
F21W 2102/14; F21W 2102/155; F21W
2102/165; F21W 2102/20; F21W
2103/55; F21W 2103/60; F21V 9/14;
F21V 29/51; F21V 5/04; F21V 9/30;
F21V 14/04; F21V 17/18; F21V 19/04;
F21V 21/06; F21V 21/088; F21V 21/22;
F21V 2200/00; F21V 29/78; F21V 29/85;
F21V 5/00; F21V 5/045; F21V 5/048;
F21V 7/00; F21V 7/22; F21V 9/08; F21V
9/40

See application file for complete search history.

(56) **References Cited**

U.S. PATENT DOCUMENTS

4,392,185 A 7/1983 Grossmann et al.
7,252,407 B2 8/2007 Lewis
(Continued)

FOREIGN PATENT DOCUMENTS

CN 2449048 Y 9/2001
CN 2677736 Y 2/2005
(Continued)

OTHER PUBLICATIONS

Black Diamond Spot Headlamp. By Black Diamond. Dated Dec. 23, 2016. Found online [Dec. 6, 2021]. <https://www.amazon.com/Black-Diamond-Spot-Headlamp-Size/dp/B06W54SBSL> (Year: 2016).*
(Continued)

Primary Examiner — Marissa J Cash
Assistant Examiner — William B Melliar
(74) *Attorney, Agent, or Firm* — Michael Best & Friedrich LLP

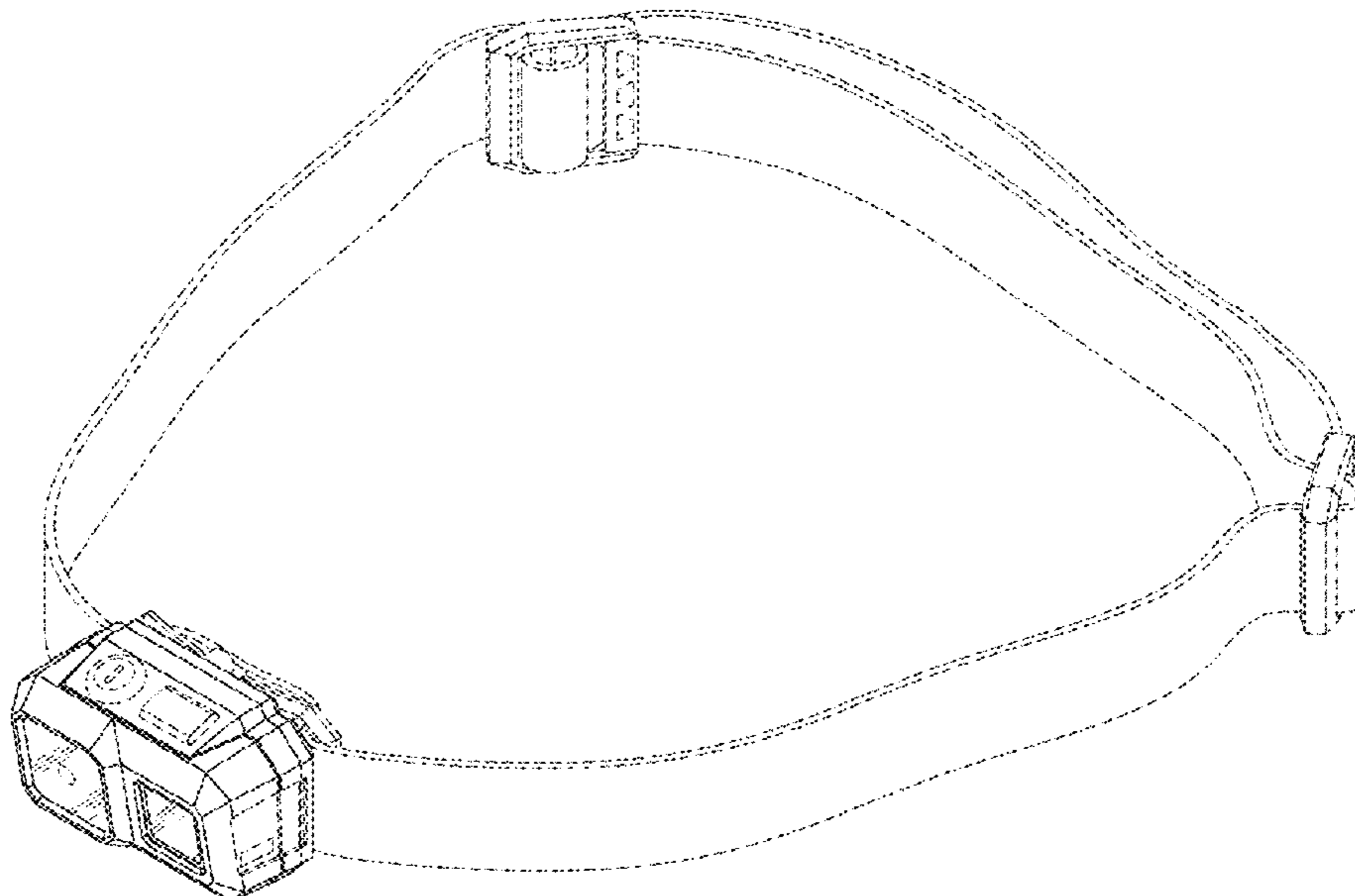
(57) **CLAIM**

We claim the ornamental design for a headlamp, as shown and described.

DESCRIPTION

FIG. 1 is a from perspective view of a headlamp.
FIG. 2 is a front view of the headlamp shown in FIG. 1.
FIG. 3 is a rear view of the headlamp shown in FIG. 1.
FIG. 4 is a right side view of the headlamp shown in FIG. 1.
FIG. 5 is a left side view of the headlamp shown in FIG. 1.
FIG. 6 is a top view of the headlamp shown in FIG. 1; and,
FIG. 7 is a bottom view of the headlamp shown in FIG. 1.
The broken lines having equal segments represent portions of the article that form no part of the claimed design.

1 Claim, 7 Drawing Sheets



(56)

References Cited

FOREIGN PATENT DOCUMENTS

U.S. PATENT DOCUMENTS

7,258,475 B2 8/2007 Kurumatani
 7,641,358 B1 1/2010 Smith et al.
 7,651,239 B2 1/2010 Spartano et al.
 7,651,240 B2 1/2010 Bayat et al.
 7,738,229 B2 6/2010 Bayat et al.
 7,745,957 B2 6/2010 Bayat et al.
 7,950,820 B2 5/2011 Spartano et al.
 8,193,789 B2 6/2012 Bayat et al.
 8,450,004 B2 5/2013 Titschert et al.
 8,820,690 B2 9/2014 Weber
 9,285,105 B2 3/2016 Sharrah et al.
 D765,295 S 8/2016 McLennan
 9,605,836 B2 3/2017 Sharrah et al.
 D788,337 S * 5/2017 Koshiba D26/39
 D804,695 S * 12/2017 Windom D26/39
 D812,793 S * 3/2018 Huang D26/39
 9,946,290 B2 4/2018 Kim et al.
 D836,810 S * 12/2018 DeBrunner D26/39
 D844,868 S * 4/2019 DeBrunner D26/39
 D861,213 S * 9/2019 Petzl D26/39
 D867,640 S * 11/2019 Windom D26/39
 D884,234 S * 5/2020 Bao D26/39
 D918,447 S * 5/2021 Sun D26/39
 D919,143 S * 5/2021 Gao D26/39
 D919,145 S * 5/2021 Gao D26/39
 D932,671 S * 10/2021 Bertken D26/39
 2003/0137421 A1 7/2003 Herkenrath et al.
 2005/0186471 A1 8/2005 Titschert et al.
 2016/0018071 A1 1/2016 Sharrah et al.

CN 2771625 Y 4/2006
 CN 2789567 Y 6/2006
 CN 2789568 Y 6/2006
 CN 2842162 Y 11/2006
 CN 200965158 Y 10/2007
 CN 201155665 Y 11/2008
 CN 202252910 U 5/2012
 CN 202613077 U 12/2012
 CN 103438360 A 12/2013
 CN 203585832 U 5/2014
 CN 103925475 A 7/2014
 CN 203771056 U 8/2014
 CN 105526515 A 4/2016
 CN 205909152 U 1/2017
 CN 206771047 U 12/2017
 CN 207298476 U 5/2018
 DE 8701421 U1 3/1987
 DE 102011103242 A1 12/2012
 DE 102015102114 A1 10/2016
 EP 285349 A2 10/1988
 EP 291438 A2 11/1988
 EP 431462 A2 6/1991

OTHER PUBLICATIONS

BioLite Headlamp. By BioLite. Dated Feb. 3, 2019. Found online [Dec. 6, 2021]. <https://www.amazon.com/BioLite-HPA1002-HeadLamp-330-Grey/dp/B07FMLRHMD> (Year: 2019).*

* cited by examiner

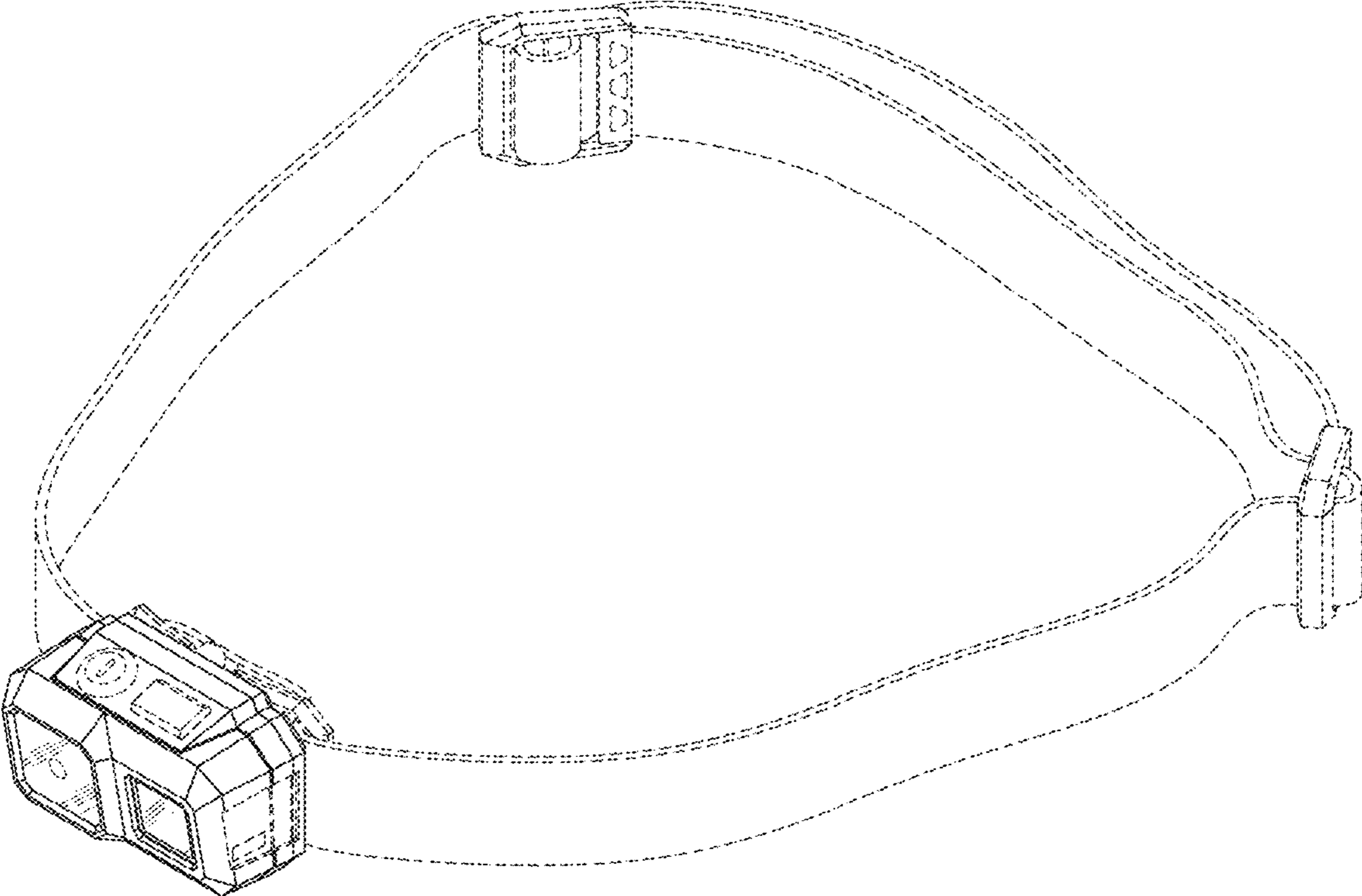


FIG. 1

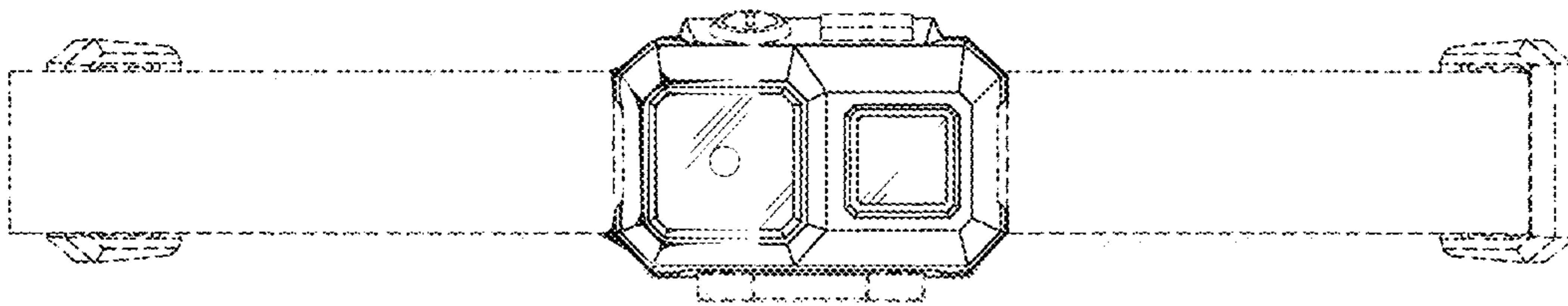


FIG. 2

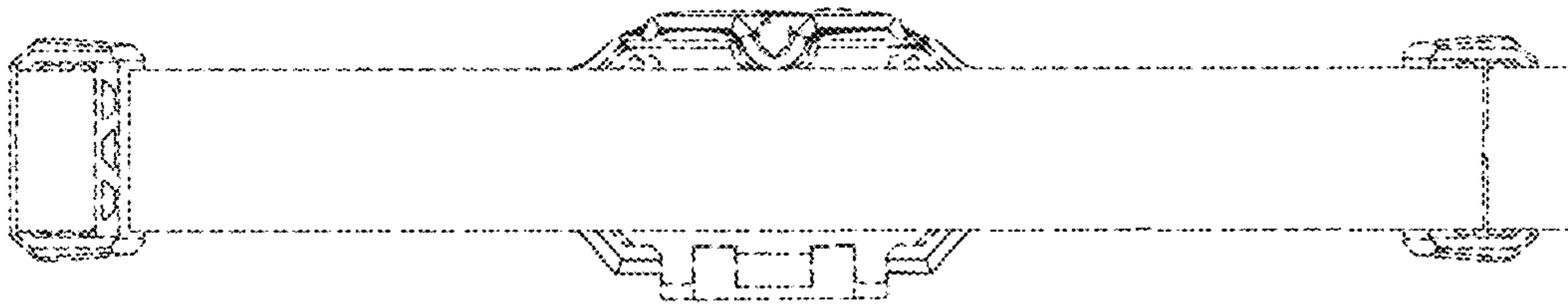


FIG. 3

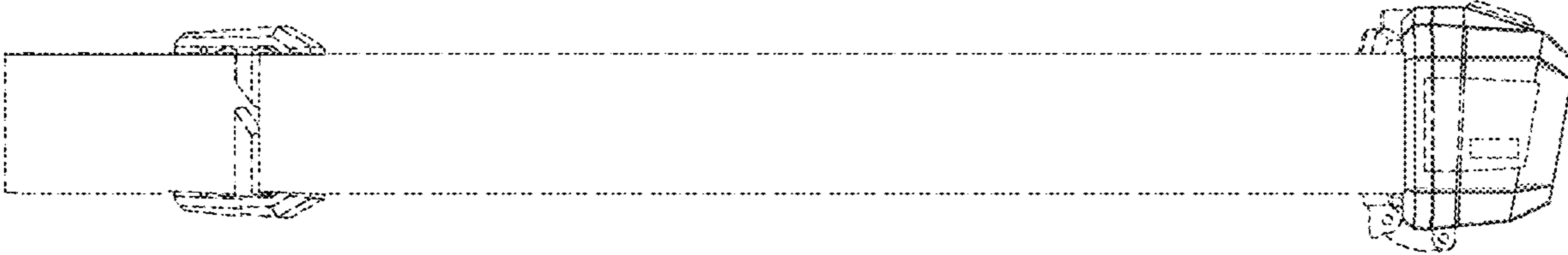


FIG. 4

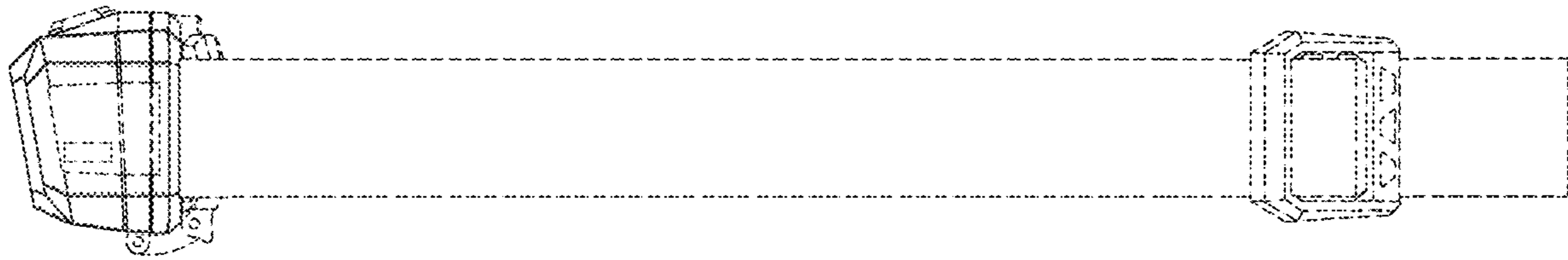


FIG. 5

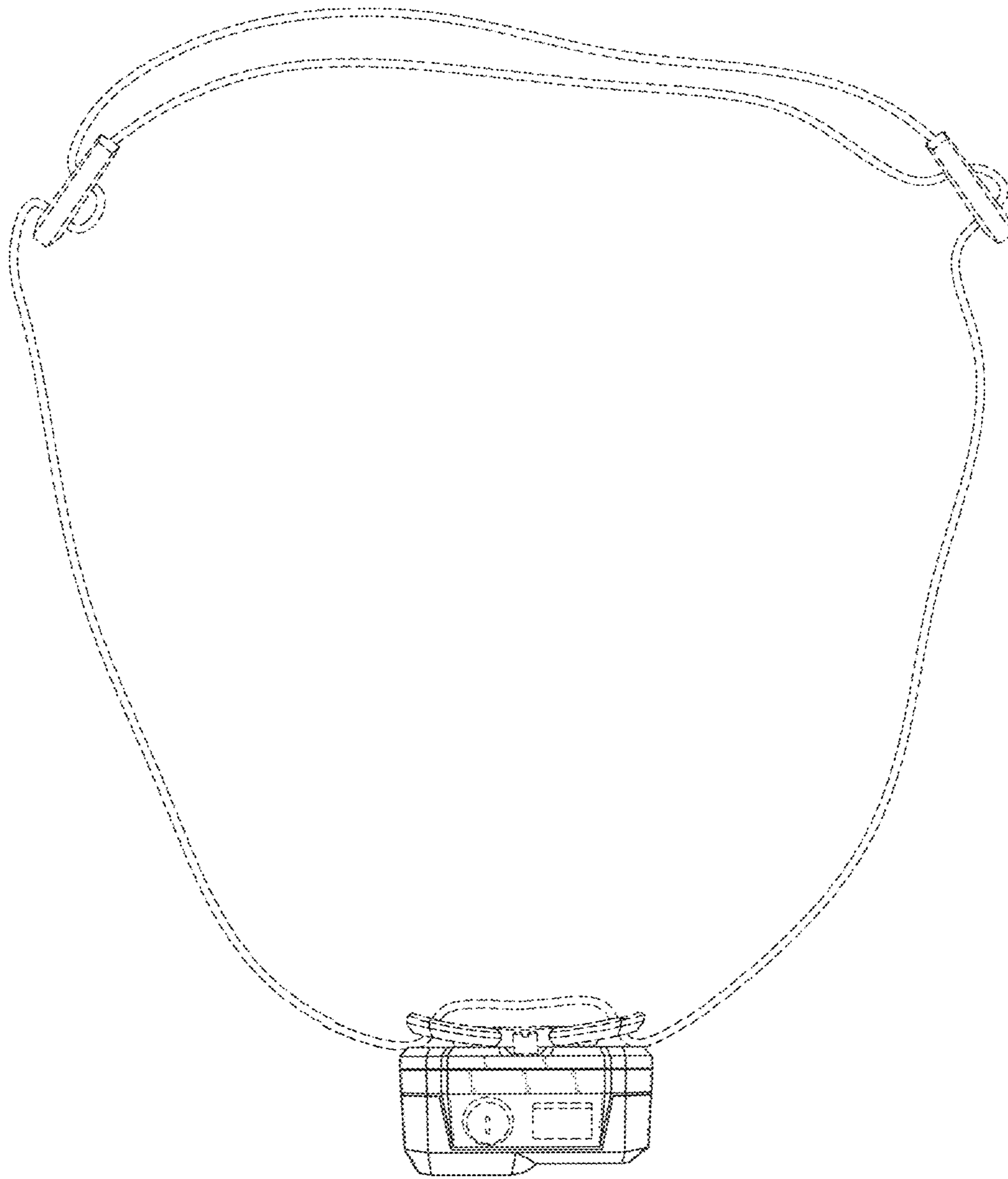


FIG. 6

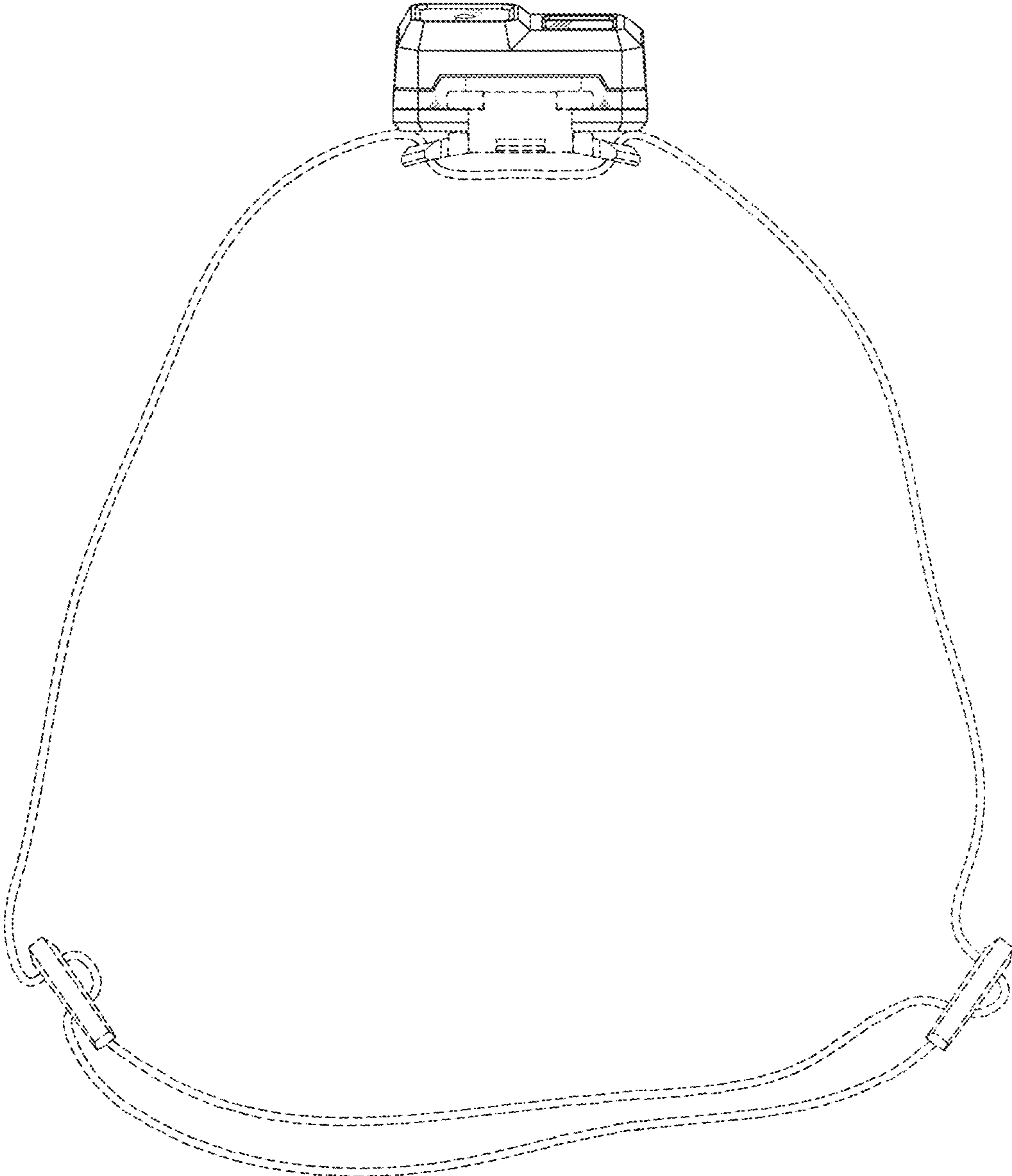


FIG. 7