



US00D951503S

(12) **United States Design Patent**  
**Shin et al.**

(10) **Patent No.:** **US D951,503 S**

(45) **Date of Patent:** **\*\* May 10, 2022**

(54) **HEAD LAMP FOR AN AUTOMOBILE**

(71) Applicants: **Hyundai Motor Company**, Seoul (KR); **Kia Motors Corporation**, Seoul (KR)

(72) Inventors: **Young Hwan Shin**, Seongnam-si (KR); **Roberto Kuehn**, Ruesselsheim (DE)

(73) Assignees: **Hyundai Motor Company**, Seoul (KR); **Kia Motors Corporation**, Seoul (KR)

(\*\*) Term: **15 Years**

(21) Appl. No.: **35/511,140**

(22) Filed: **Jul. 10, 2020**

(80) **Hague Agreement Data**

Int. Filing Date: **Jul. 10, 2020**

Int. Reg. No.: **DM/209768**

Int. Reg. Date: **Jul. 10, 2020**

Int. Reg. Pub. Date: **Jan. 15, 2021**

(30) **Foreign Application Priority Data**

Mar. 31, 2020 (KR) ..... 30-2020-0014325

(51) **LOC (13) Cl.** ..... **26-06**

(52) **U.S. Cl.**  
USPC ..... **D26/28**

(58) **Field of Classification Search**  
USPC ..... D26/28, 29, 34, 35, 36  
CPC ..... F21S 41/00; F21S 41/14; F21S 41/141; F21S 41/20; F21S 41/30; F21S 43/00; F21S 43/10; F21S 43/14; F21S 43/15; F21S 43/20; F21S 43/30; B60Q 1/26; B60Q 1/2619; B60Q 1/22; B60Q 1/28; B60Q 1/30; B60Q 1/34; B60Q 1/44; B60Q 1/46

See application file for complete search history.

(56) **References Cited**

U.S. PATENT DOCUMENTS

D690,041	S	*	9/2013	Lai	.....	D26/28
D743,070	S	*	11/2015	Lai	.....	D26/28
D747,819	S	*	1/2016	Thole	.....	D26/28
D761,462	S	*	7/2016	Lai	.....	D26/28
D783,189	S	*	4/2017	Nishii	.....	D26/28
D787,726	S	*	5/2017	Hong	.....	D26/28
D792,622	S	*	7/2017	Briscoe	.....	D26/28
D794,232	S	*	8/2017	Lai	.....	D26/28
D803,433	S	*	11/2017	Yang	.....	D26/28
D819,241	S	*	5/2018	Werner	.....	D26/28
D819,847	S	*	6/2018	Woodhouse	.....	D26/28
D852,999	S	*	7/2019	Allmendinger	.....	D26/28
D853,607	S	*	7/2019	Allmendinger	.....	D26/28
D867,638	S	*	11/2019	Kong	.....	D26/28
D868,323	S	*	11/2019	Kim	.....	D26/28
D868,324	S	*	11/2019	Kim	.....	D26/28
D883,526	S	*	5/2020	Lin	.....	D26/28
D883,538	S	*	5/2020	Lai	.....	D26/28
D887,595	S	*	6/2020	Wu	.....	D26/28
D889,008	S	*	6/2020	Lim	.....	D26/28
D893,065	S	*	8/2020	He	.....	D26/28
D893,771	S	*	8/2020	Lin	.....	D26/28

(Continued)

*Primary Examiner* — Steven J Czyz

(74) *Attorney, Agent, or Firm* — Mintz Levin Cohn Ferris Glovsky and Popeo, P.C.; Peter F. Corless

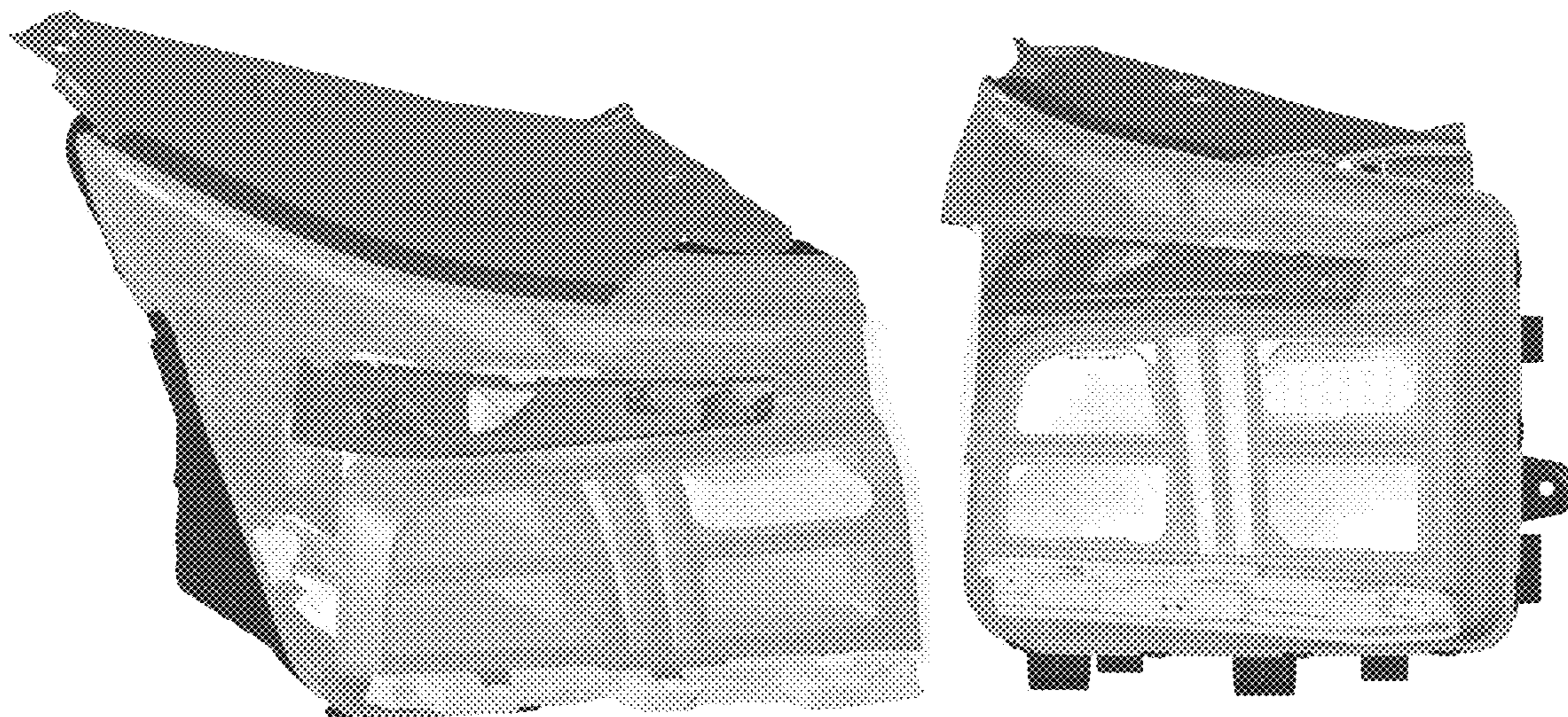
(57) **CLAIM**

The ornamental design for a head lamp for an automobile, as shown and described.

**DESCRIPTION**

- 1. Head lamp for an automobile
- 1.1 : Perspective
- 1.2 : Front
- 1.3 : Back
- 1.4 : Left
- 1.5 : Right
- 1.6 : Top
- 1.7 : Bottom

**1 Claim, 7 Drawing Sheets**



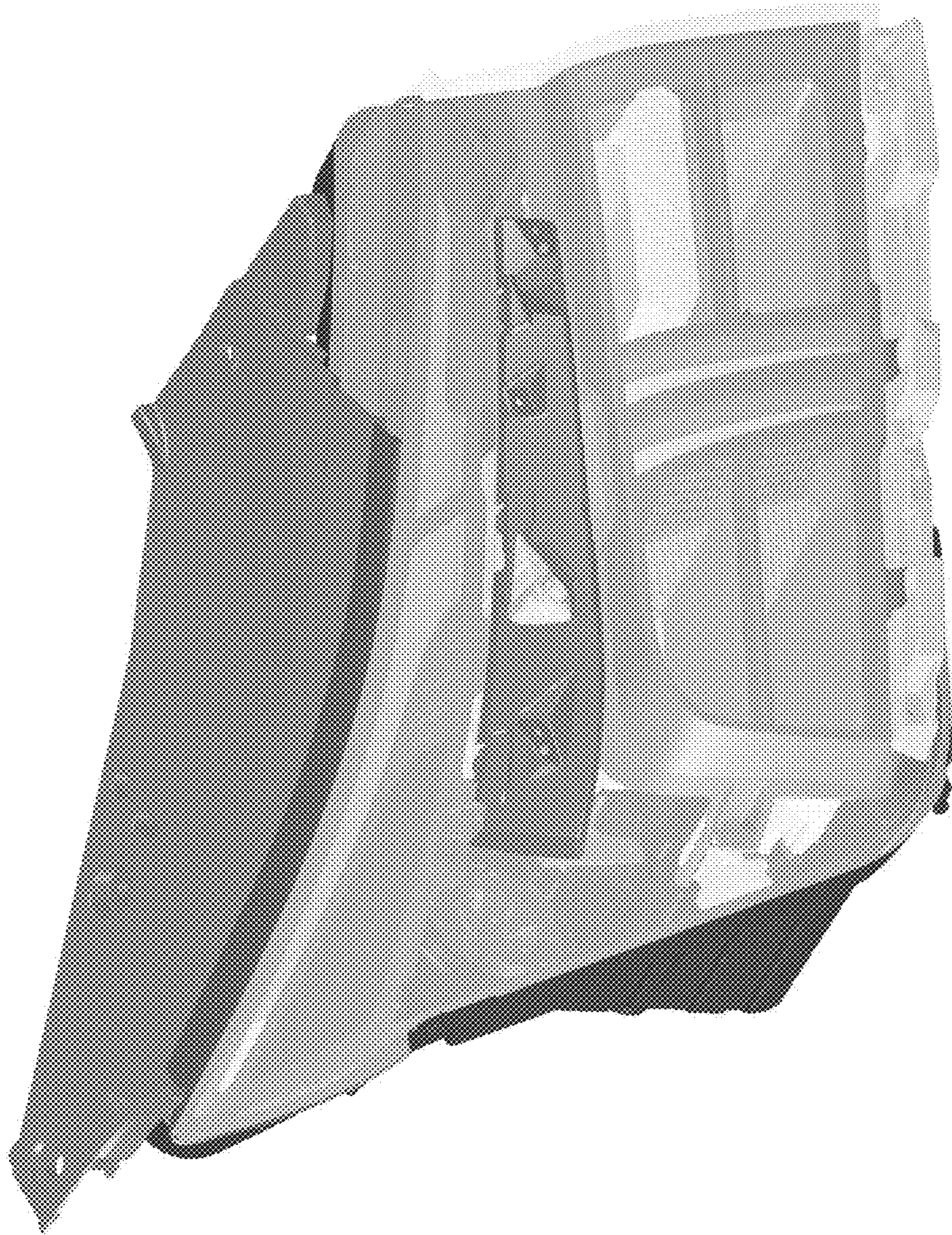
(56)

**References Cited**

U.S. PATENT DOCUMENTS

D895,180	S	*	9/2020	Hong	.....	D26/28
D896,410	S	*	9/2020	He	.....	D26/28
D899,641	S	*	10/2020	He	.....	D26/28
D900,359	S	*	10/2020	He	.....	D26/28
D901,733	S	*	11/2020	Kim	.....	D26/28
D905,876	S	*	12/2020	Wu	.....	D26/28
D907,264	S	*	1/2021	Lin	.....	D26/28
D907,821	S	*	1/2021	Jeong	.....	D26/28
D908,260	S	*	1/2021	Jeong	.....	D26/28
D912,863	S	*	3/2021	Wu	.....	D26/28
D923,213	S	*	6/2021	He	.....	D26/28
D923,214	S	*	6/2021	He	.....	D26/28
D928,363	S	*	8/2021	Lin	.....	D26/28
D929,622	S	*	8/2021	Wu	.....	D26/28
D930,198	S	*	9/2021	Wu	.....	D26/28
D933,267	S	*	10/2021	Lin	.....	D26/28
D935,649	S	*	11/2021	Wu	.....	D26/28
D936,870	S	*	11/2021	Wu	.....	D26/28

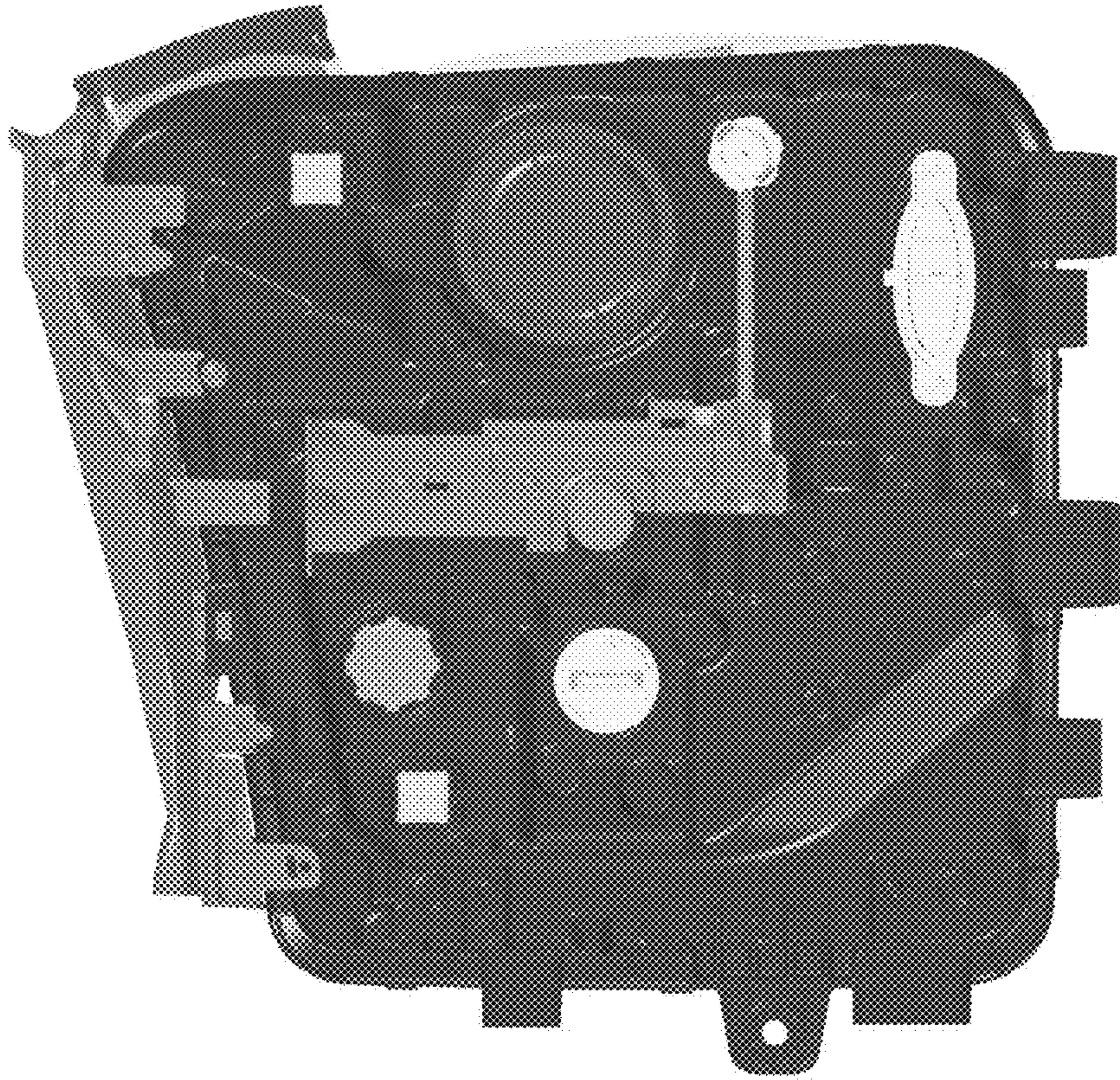
\* cited by examiner



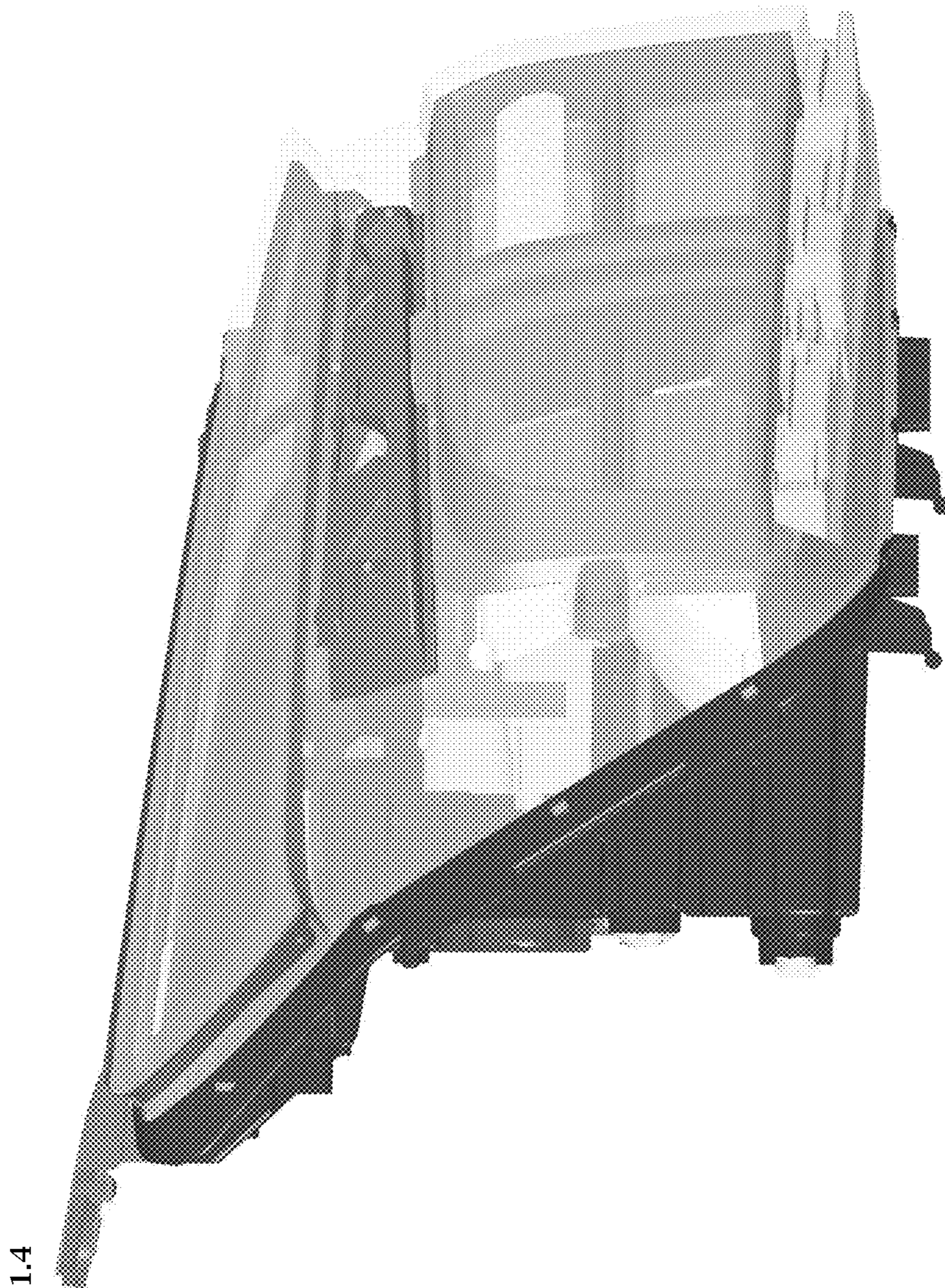
1.1



1.2

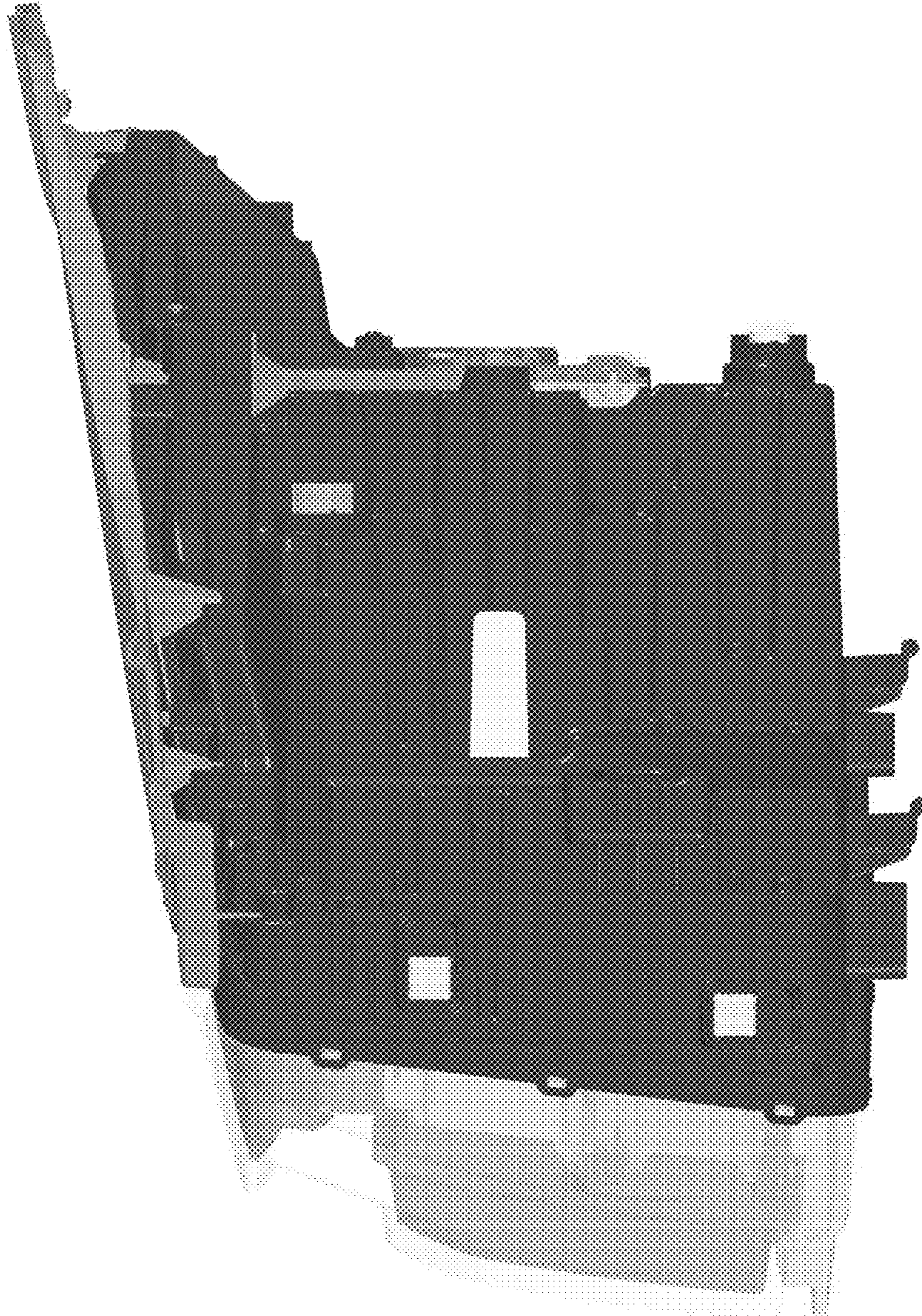


1.3

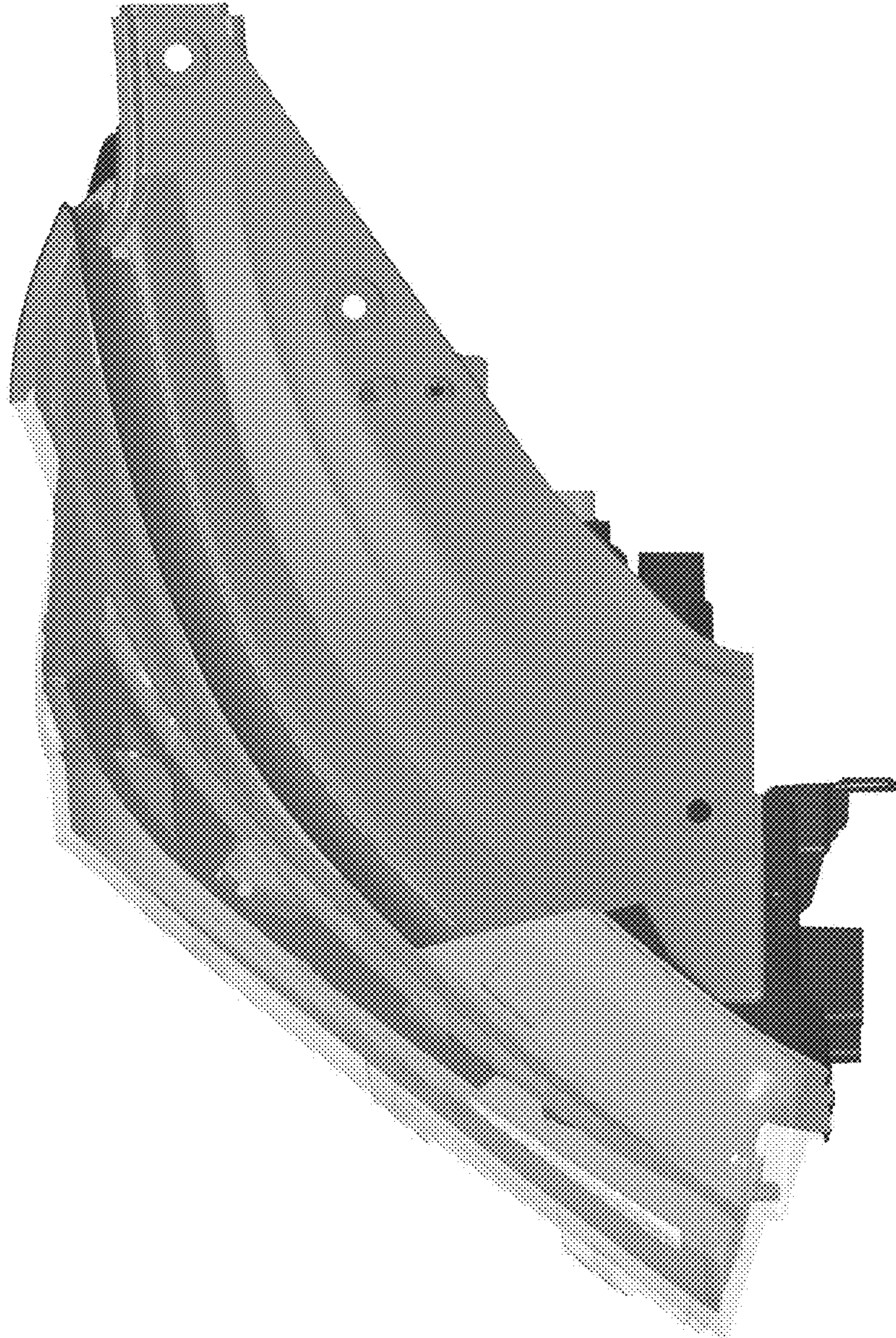


1.4

1.5



1.6





1.7

