



US00D951502S

(12) **United States Design Patent** (10) **Patent No.:** **US D951,502 S**  
**Ryu et al.** (45) **Date of Patent:** **\*\* May 10, 2022**

(54) **HEAD LAMP FOR AN AUTOMOBILE**

(71) Applicants: **Hyundai Motor Company**, Seoul (KR); **Kia Motors Corporation**, Seoul (KR)

(72) Inventors: **Dae Keun Ryu**, Hwaseong-si (KR); **Sung Jun Kim**, Jeju-si (KR)

(73) Assignees: **Hyundai Motor Company**, Seoul (KR); **Kia Motors Corporation**, Seoul (KR)

(\*\*) Term: **15 Years**

(21) Appl. No.: **35/509,865**

(22) Filed: **Jan. 20, 2020**

(80) **Hague Agreement Data**

Int. Filing Date: **Jan. 20, 2020**

Int. Reg. No.: **DM/205752**

Int. Reg. Date: **Jan. 20, 2020**

Int. Reg. Pub. Date: **Jul. 24, 2020**

(51) **LOC (13) Cl.** ..... **26-06**

(52) **U.S. Cl.**  
USPC ..... **D26/28**

(58) **Field of Classification Search**  
 USPC ..... D26/28, 29, 30, 31, 34, 35, 36  
 CPC ..... B60Q 1/00; B60Q 1/0011; B60Q 1/0041;  
 B60Q 1/02; B60Q 1/04; B60Q 1/0408;  
 B60Q 1/22; B60Q 1/26; B60Q 2300/10;  
 B60Q 2400/00; B60Q 2400/10; B60Q  
 2400/20; B60Q 2500/10; F21S 41/00;  
 F21S 41/10; F21S 41/151; F21S 41/20;  
 F21S 43/00; F21S 43/10; F21S 43/20;  
 F21S 43/40; F21W 2102/00; F21W  
 2102/13; F21W 2013/35; F21W 2103/45;  
 F21W 2105/00

See application file for complete search history.

(56) **References Cited**

U.S. PATENT DOCUMENTS

D314,244	S	*	1/1991	Matsumura	.....	D26/35
D315,218	S	*	3/1991	Matsumura	.....	D26/35
D469,196	S	*	1/2003	Ohsawa	.....	D26/35
D526,430	S	*	8/2006	Hernandez	.....	D26/31
D740,473	S	*	10/2015	Chen	.....	D26/35
D759,278	S	*	6/2016	Kim	.....	D26/31
D762,893	S	*	8/2016	Hsu	.....	D26/28
D765,891	S	*	9/2016	Varga	.....	D26/28
D775,751	S	*	1/2017	Jones, Jr.	.....	D26/28
9,564,049	B2	*	2/2017	Diba	.....	G08G 1/015
D788,957	S	*	6/2017	Hong	.....	D26/28
D791,375	S	*	7/2017	Lichte	.....	D26/28
D809,168	S	*	1/2018	Kennemer	.....	D26/28
D815,765	S	*	4/2018	Jacobsthal	.....	D26/28
D822,237	S	*	7/2018	Woodhouse	.....	D26/28
D822,243	S	*	7/2018	Lee	.....	D26/28
D829,950	S	*	10/2018	Ko	.....	D26/31
10,100,995	B2	*	10/2018	Hirata	.....	B60Q 1/2607
10,100,997	B2	*	10/2018	Albou	.....	B60Q 1/2607
D837,422	S	*	1/2019	Yamashita	.....	D26/28
D837,427	S	*	1/2019	Lee	.....	D26/28
D845,520	S	*	4/2019	Mossner	.....	D26/28

(Continued)

*Primary Examiner* — Steven J Czyz

(74) *Attorney, Agent, or Firm* — Mintz Levin Cohn Ferris Glovsky and Popeo, P.C.; Peter F. Corless

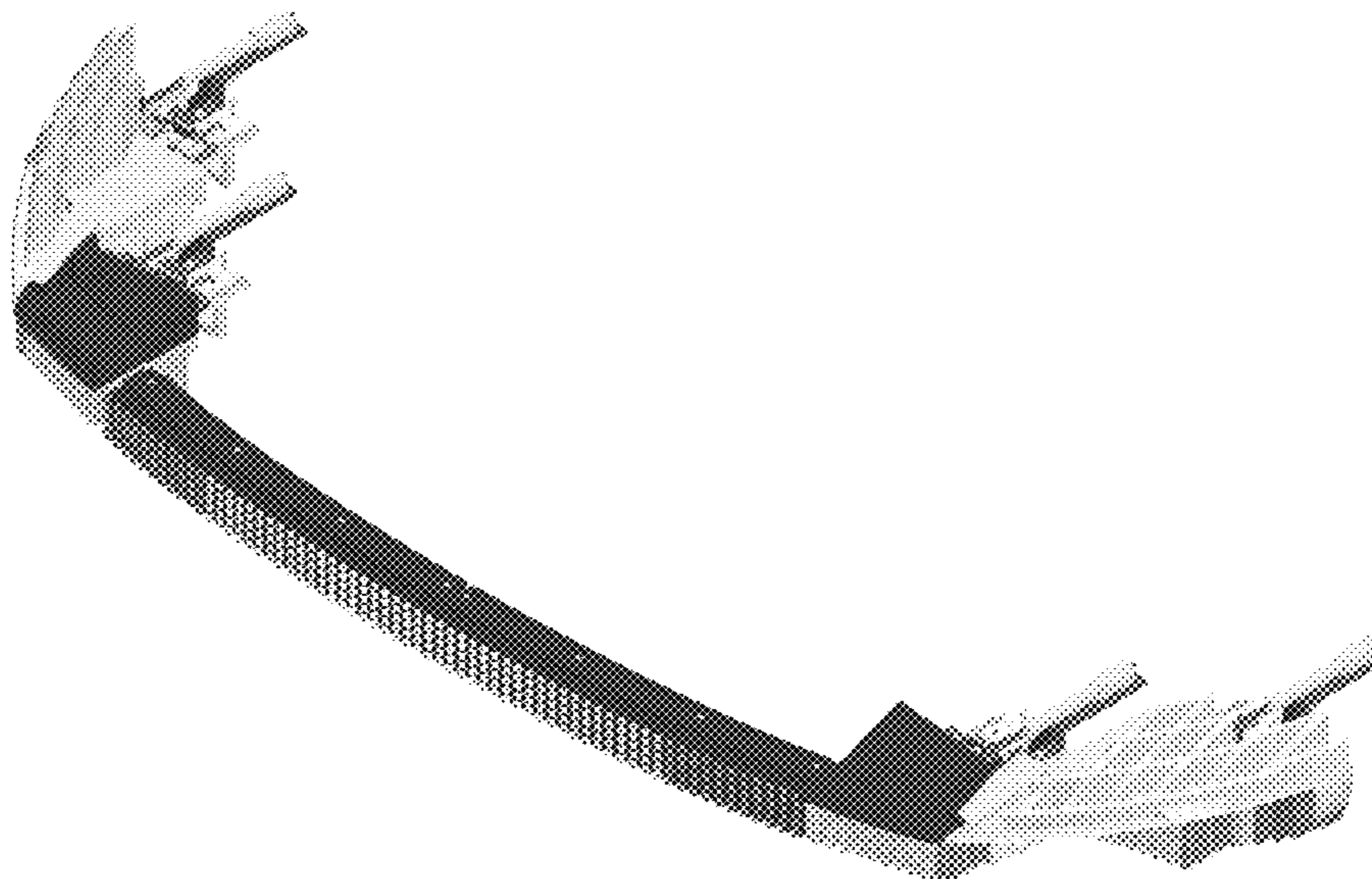
(57) **CLAIM**

The ornamental design for a head lamp for an automobile, as shown and described.

**DESCRIPTION**

- 1. Head lamp for an automobile
- 1.1 : Perspective
- 1.2 : Front
- 1.3 : Back
- 1.4 : Left
- 1.5 : Right
- 1.6 : Top
- 1.7 : Bottom

**1 Claim, 7 Drawing Sheets**



(56)

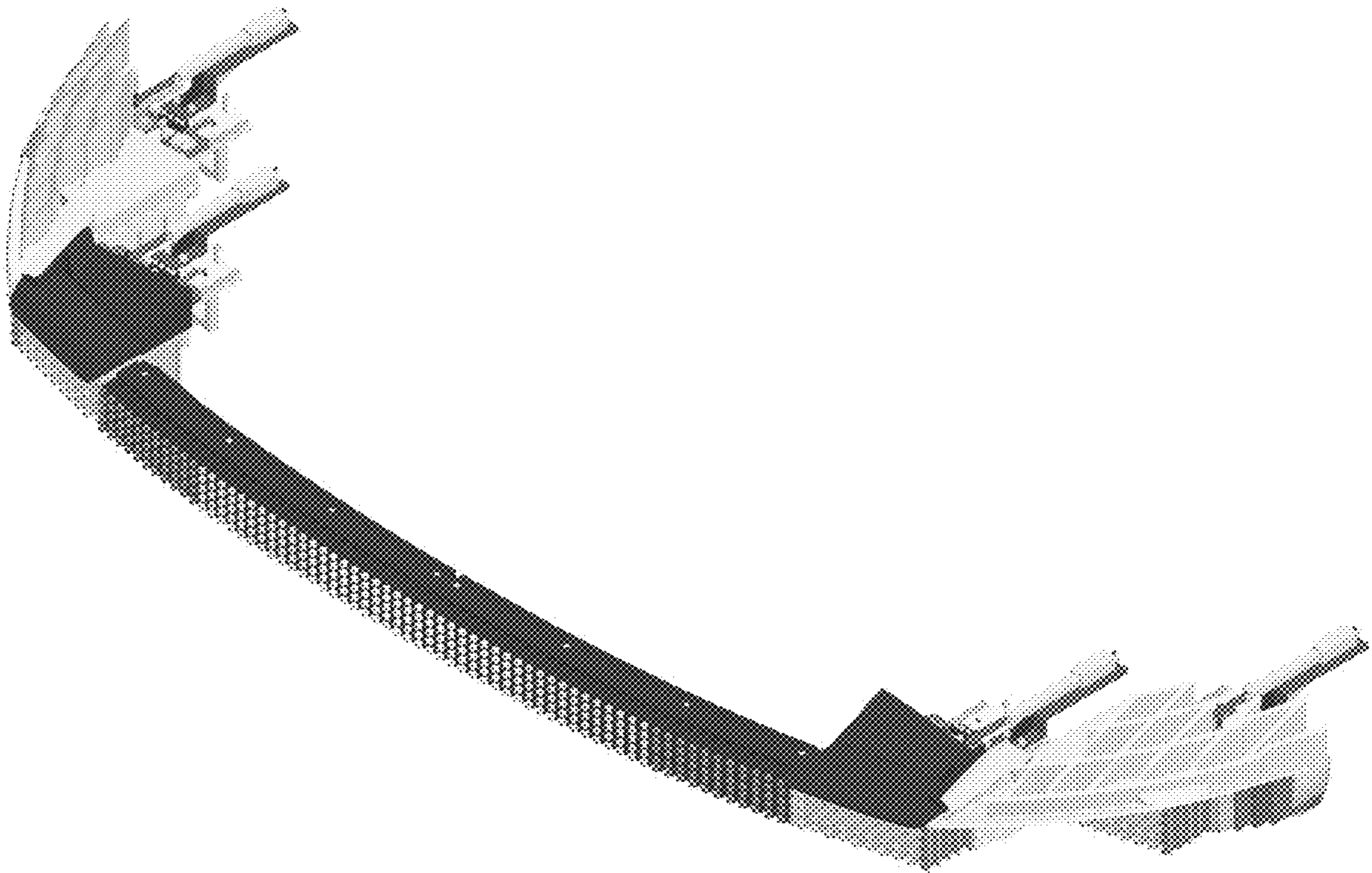
## References Cited

## U.S. PATENT DOCUMENTS

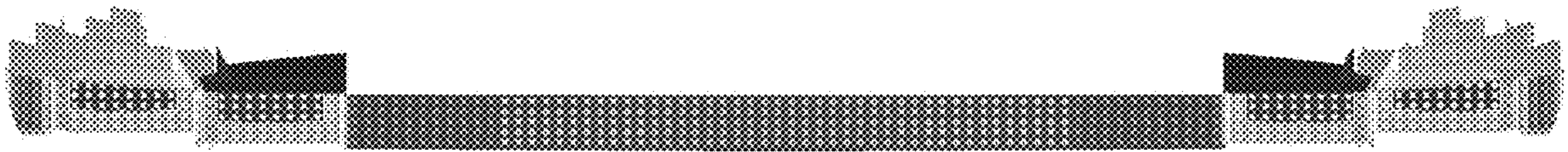
D846,767 S \* 4/2019 Thomas ..... D26/28  
D846,768 S \* 4/2019 Thomas ..... D26/28  
D847,389 S \* 4/2019 Thomas ..... D26/28  
10,259,378 B2 \* 4/2019 Ellwanger ..... F21S 43/245  
10,272,826 B2 \* 4/2019 Daylong ..... H05B 45/00  
D855,843 S \* 8/2019 Von Holzhausen ..... D26/28  
D858,816 S \* 9/2019 Ko ..... D26/28  
D863,631 S \* 10/2019 Flores ..... D26/28  
D869,029 S \* 12/2019 Wang ..... D26/28  
D870,926 S \* 12/2019 Lanini ..... D26/28  
D870,931 S \* 12/2019 Woodhouse ..... D26/28  
D871,625 S \* 12/2019 Iida ..... D26/28  
D872,325 S \* 1/2020 Bauer ..... D26/28  
D875,280 S \* 2/2020 Lucas ..... D26/28  
D877,371 S \* 3/2020 Churchill ..... D26/28  
D882,131 S \* 4/2020 Goodrich ..... D26/28  
D882,132 S \* 4/2020 Hoste ..... D26/28  
D887,051 S \* 6/2020 Lai ..... D26/31  
10,676,020 B1 \* 6/2020 Stowell ..... B60Q 1/0064  
D890,387 S \* 7/2020 Kim ..... D26/28  
D893,778 S \* 8/2020 Kim ..... D26/28  
D897,015 S \* 9/2020 Gong ..... D26/31  
D901,049 S \* 11/2020 Stowell ..... D26/31  
10,857,933 B2 \* 12/2020 Kojima ..... B60Q 1/503  
10,962,191 B1 \* 3/2021 Go ..... G02B 27/0961  
D918,444 S \* 5/2021 Yu ..... D26/28  
D919,863 S \* 5/2021 Hong ..... D26/28  
D921,244 S \* 6/2021 Jung ..... D26/28  
D921,246 S \* 6/2021 Lee ..... D26/28  
D921,939 S \* 6/2021 He ..... D26/28  
D922,630 S \* 6/2021 Kim ..... D26/28

\* cited by examiner

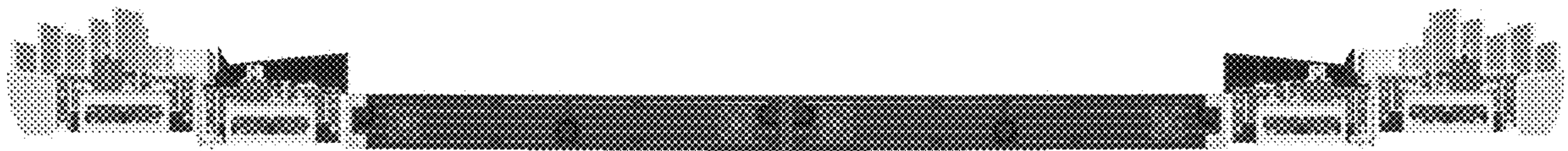
1.1



1.2



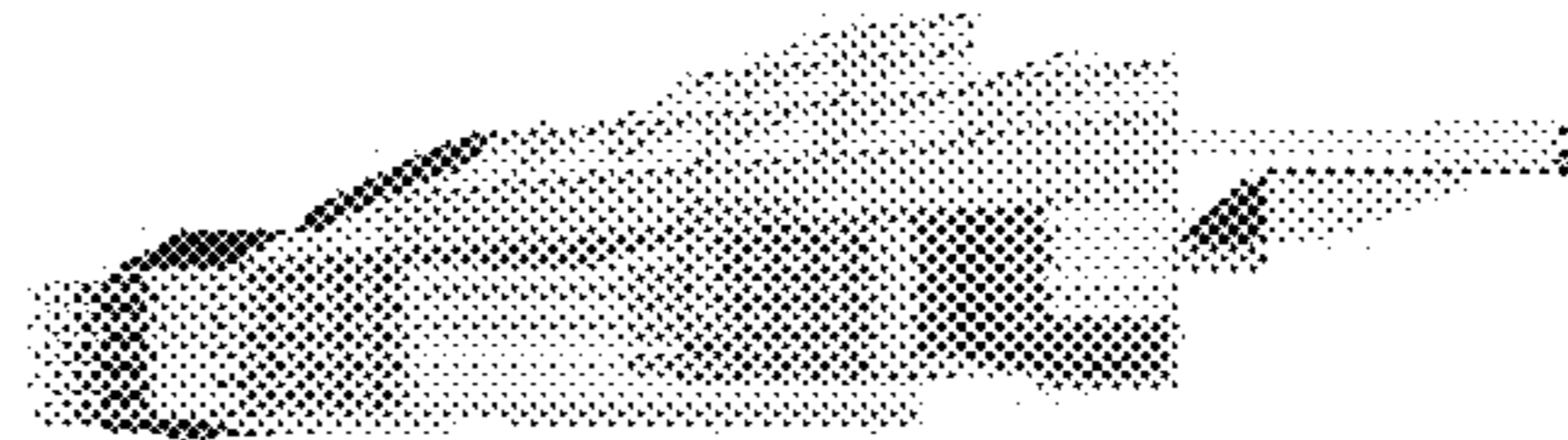
1.3



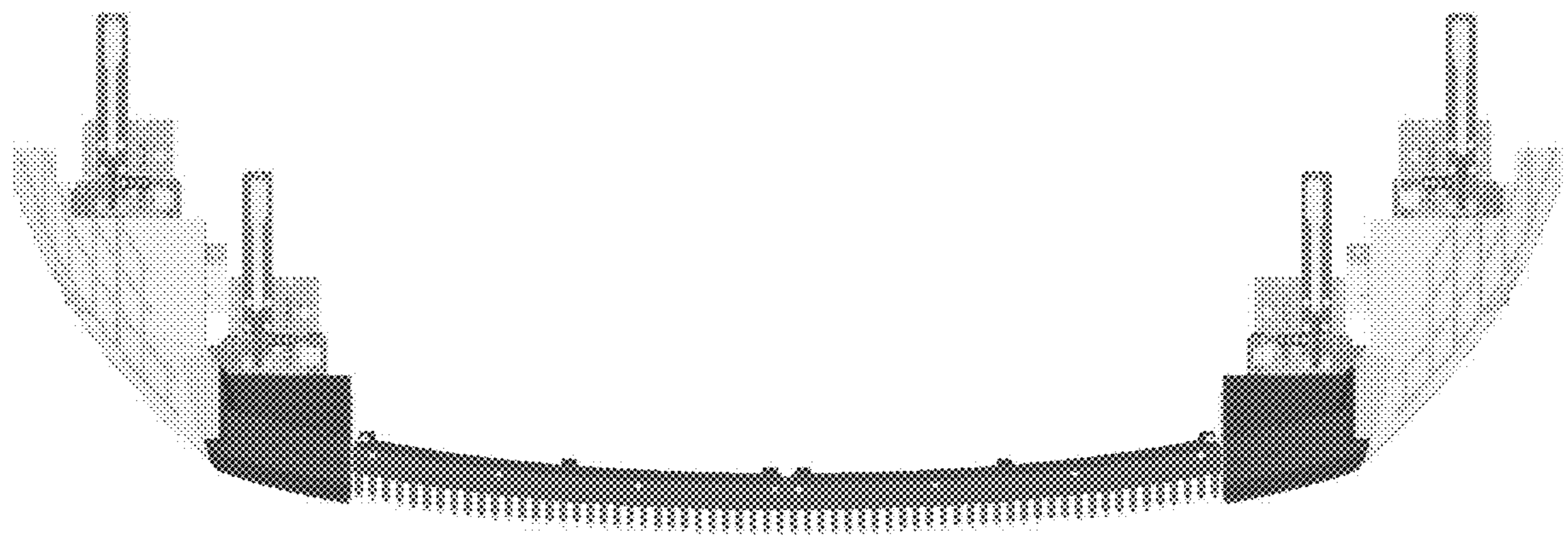
1.4



**1.5**



1.6





1.7

