



US00D951500S

(12) **United States Design Patent** (10) **Patent No.:** **US D951,500 S**  
**Minamiyama** (45) **Date of Patent:** **\*\* May 10, 2022**

(54) **HEADLAMP FOR AUTOMOBILE**

(71) Applicant: **Nissan Motor Co., Ltd.**, Kanagawa (JP)

(72) Inventor: **Shin Minamiyama**, Kanagawa (JP)

(73) Assignee: **Nissan Motor Co., Ltd.**, Yokohama (JP)

(\*\*) Term: **15 Years**

(21) Appl. No.: **29/736,032**

(22) Filed: **May 27, 2020**

(30) **Foreign Application Priority Data**

Nov. 28, 2019 (JP) ..... 2019-026472

(51) **LOC (13) Cl.** ..... **26-06**

(52) **U.S. Cl.**  
USPC ..... **D26/28**

(58) **Field of Classification Search**  
USPC ..... D26/28, 29, 30, 31, 32, 33, 34, 35, 36  
CPC ..... B65D 41/04; A47G 23/03; F21V 14/01;  
F21V 35/00; F21V 21/04; F21S 41/00;  
F21S 41/141; F21S 41/162; F21S 41/20;  
F21S 41/18; F21S 41/33; F21S 41/36;  
F21S

(Continued)

(56) **References Cited**

**U.S. PATENT DOCUMENTS**

D665,111 S \* 8/2012 Svensson ..... D26/28  
D776,838 S \* 1/2017 Wu ..... D26/28

(Continued)

**FOREIGN PATENT DOCUMENTS**

JP D1455398 S 11/2012  
JP D1455890 S 11/2012

(Continued)

**OTHER PUBLICATIONS**

“2021 Nissan Kicks”, Published Dec. 9, 2020, CARICOS, site visited Sep. 27, 2021: <[https://www.caricos.com/cars/n/nissan/2021\\_nissan\\_kicks/](https://www.caricos.com/cars/n/nissan/2021_nissan_kicks/)> (Year: 2020).\*

*Primary Examiner* — Marissa J Cash

*Assistant Examiner* — Nishaad Sebastian Lorengo

(74) *Attorney, Agent, or Firm* — Global IP Counselors, LLP

(57) **CLAIM**

The ornamental design for a headlamp for an automobile, as shown and described.

**DESCRIPTION**

FIG. 1 is an outside elevational view of a headlamp for an automobile in accordance with a first embodiment of my new design;

FIG. 2 is an inside elevational view thereof;

FIG. 3 is a top plan view thereof;

FIG. 4 is a bottom plan view thereof;

FIG. 5 is a front side elevational view thereof; and,

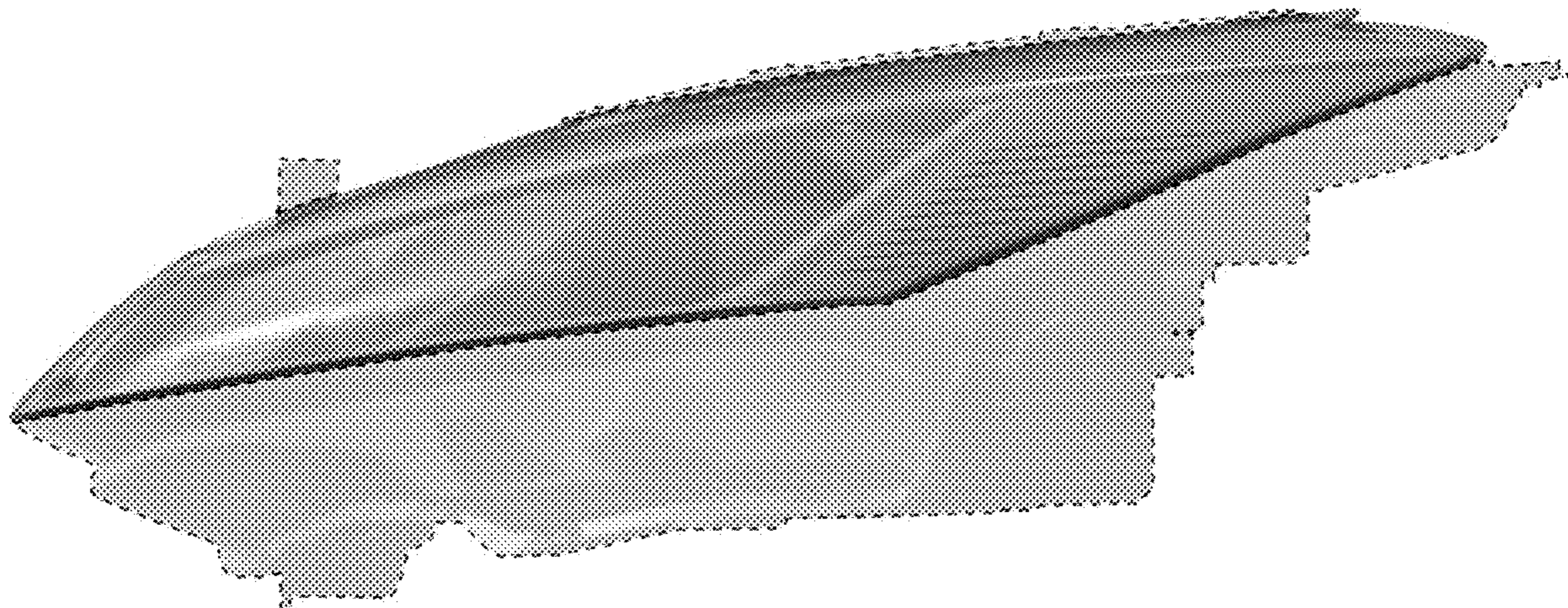
FIG. 6 is a front side perspective view thereof.

The headlamp is configured to be mounted to an automobile. The mounting structure and support structure of the headlamp, shown in broken lines in FIGS. 1 to 6, form no part of the claimed design since the mounting structure and support structure are hidden when the headlamp is mounted to the automobile.

In addition, the appearance of the rear side structures and inside structures of the headlamp as shown in broken lines in FIGS. 1 to 6 is for purpose of illustrating the boundaries of the exterior surface of the outside of the headlamp, and forms no part of the claimed design. The headlamp has a front lens that is transparent such that features behind the lens are at least partially visible as illustrated.

A second embodiment of my new design includes the mirror image of the headlamp shown in FIGS. 1 to 6.

**1 Claim, 6 Drawing Sheets**



(58) **Field of Classification Search**  
 CPC .... 41/60; F21S 43/00; F21W 2103/35; F21W  
 2103/40; F21W 2104/00; F21W 2107/17  
 See application file for complete search history.

(56) **References Cited**

U.S. PATENT DOCUMENTS

D805,663 S \* 12/2017 Koizumi ..... D26/28  
 D833,653 S \* 11/2018 Sakai ..... D26/28  
 D870,933 S \* 12/2019 Hirata ..... D26/28  
 D905,879 S \* 12/2020 Katou ..... D26/28  
 D905,880 S \* 12/2020 Katou ..... D26/28  
 2017/0356635 A1\* 12/2017 Zawacki ..... B60Q 1/2696  
 2019/0003673 A1\* 1/2019 Hirata ..... F21S 41/125

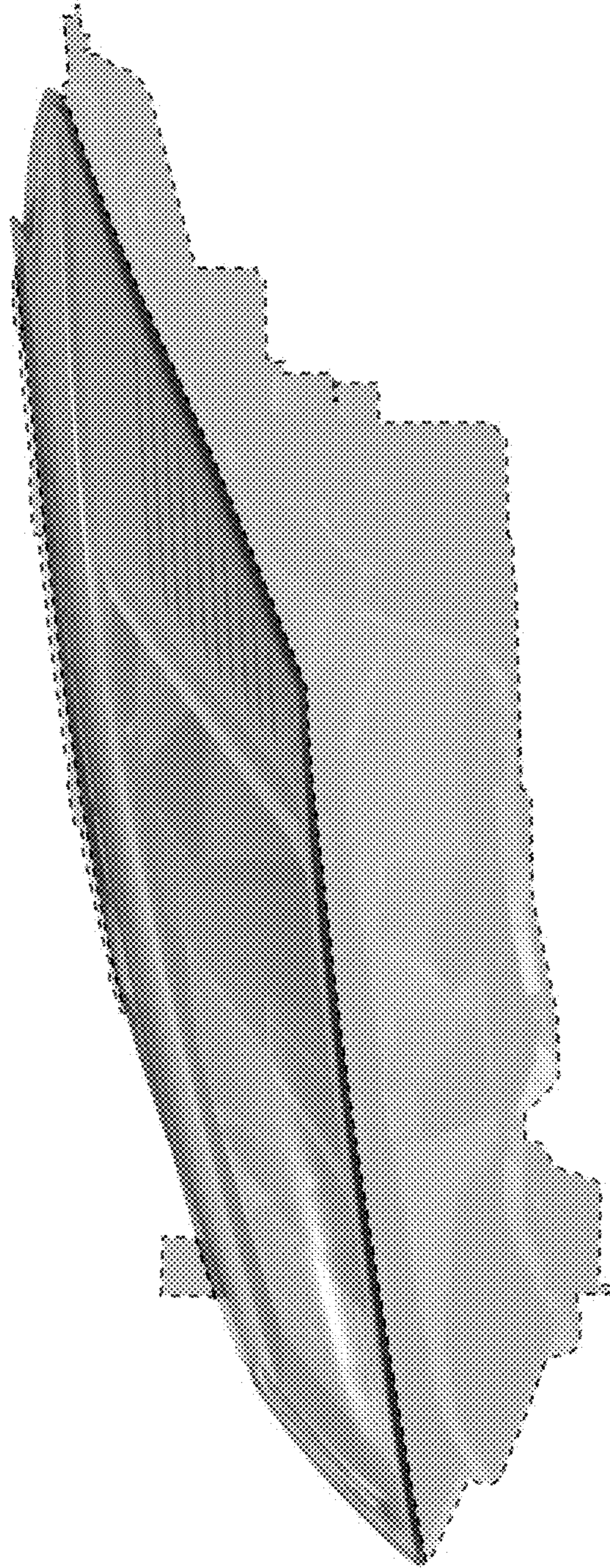
FOREIGN PATENT DOCUMENTS

JP D1458994 S 1/2015  
 JP D1530843 S 8/2015  
 JP D1538027 S 11/2015  
 JP D1538028 S 11/2015  
 JP D1552160 S 6/2016  
 JP D1538317 S 11/2017  
 JP D1565486 S 12/2017  
 JP D1566293 S 12/2017  
 JP D1597767 S 2/2018  
 JP D1598681 S 3/2018

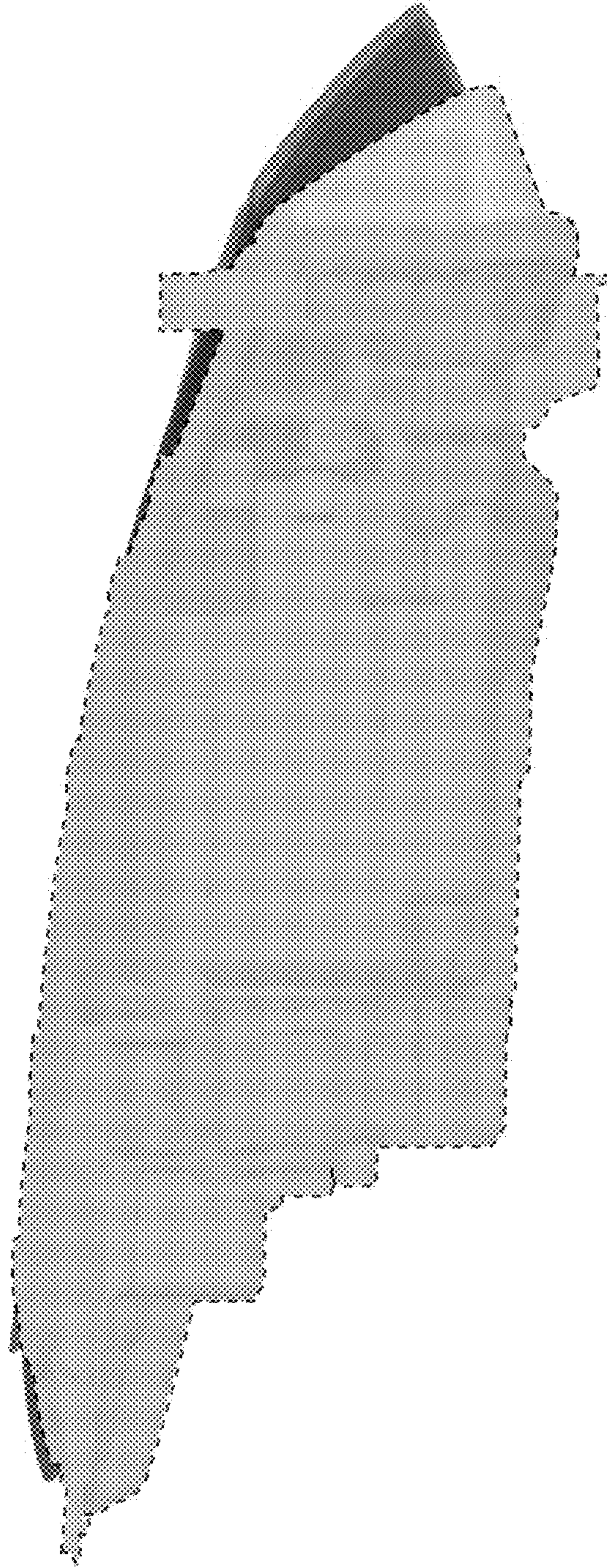
JP D1584959 S 8/2018  
 JP D1611457 S 8/2018  
 JP D1585901 S 9/2018  
 JP D1621177 S 12/2018  
 JP D1598678 S 2/2019  
 JP D1599577 S 3/2019  
 JP D1578672 S 6/2019  
 JP D1582859 S 7/2019  
 JP D1557611 S 8/2019  
 JP D1557615 S 8/2019  
 JP D1558729 S 8/2019  
 JP D1619833 S 12/2019  
 JP D1620707 S 12/2019  
 JP D1625167 S 2/2020  
 JP D1652687 S 2/2020  
 JP D1652704 S 2/2020  
 JP D1653007 S 2/2020  
 JP D1648417 S 3/2020  
 JP D1655017 S 3/2020  
 JP D1661223 S 6/2020  
 JP D1640141 S 8/2020  
 JP D1641051 S 8/2020  
 JP D1648851 S 12/2020  
 JP D1648859 S 12/2020  
 JP D1649739 S 1/2021  
 JP D1649740 S 1/2021  
 JP D1658677 S 4/2021  
 JP D1658678 S 4/2021

\* cited by examiner



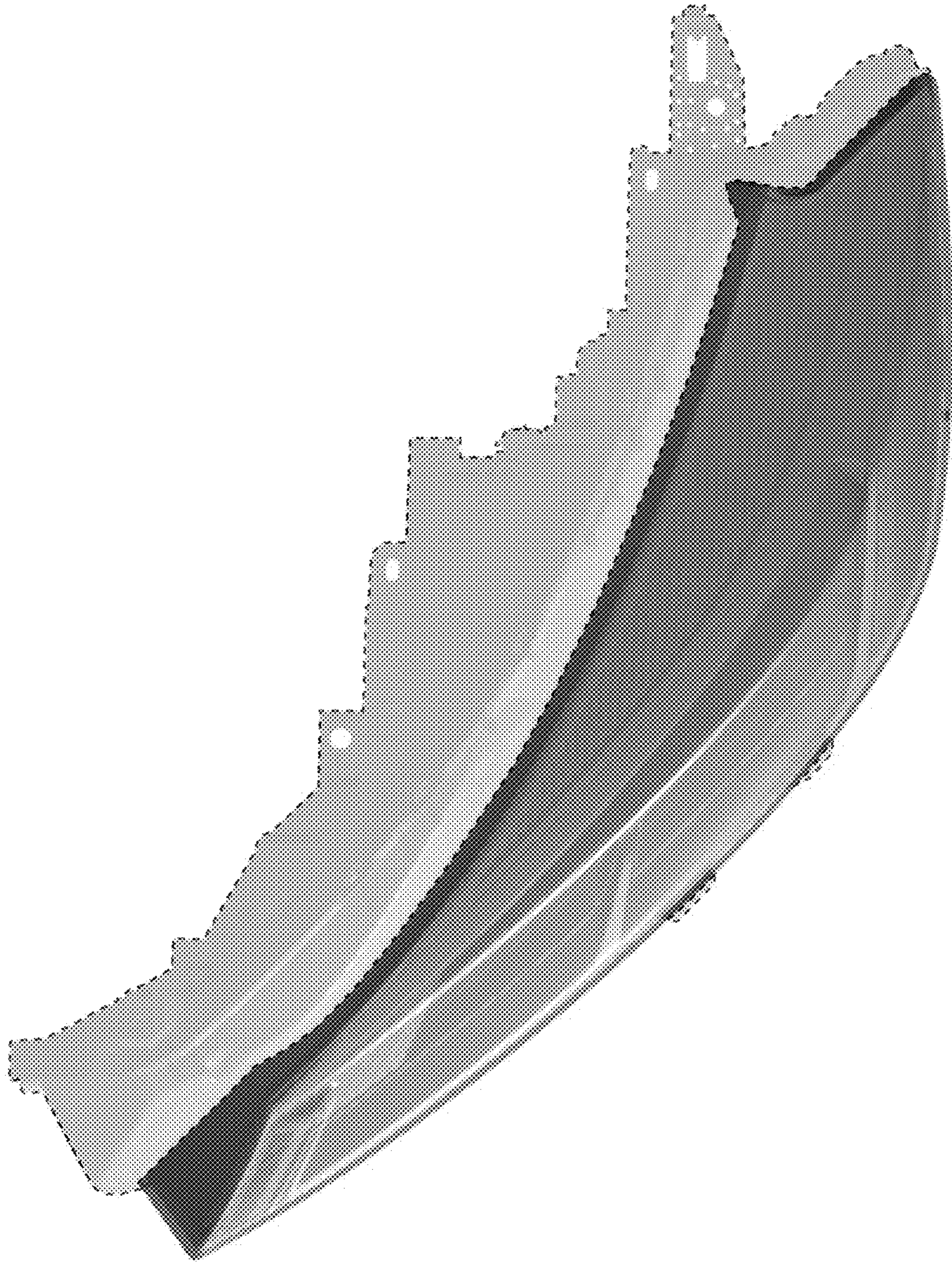


**FIG. 1**



**FIG. 2**





**FIG. 3**



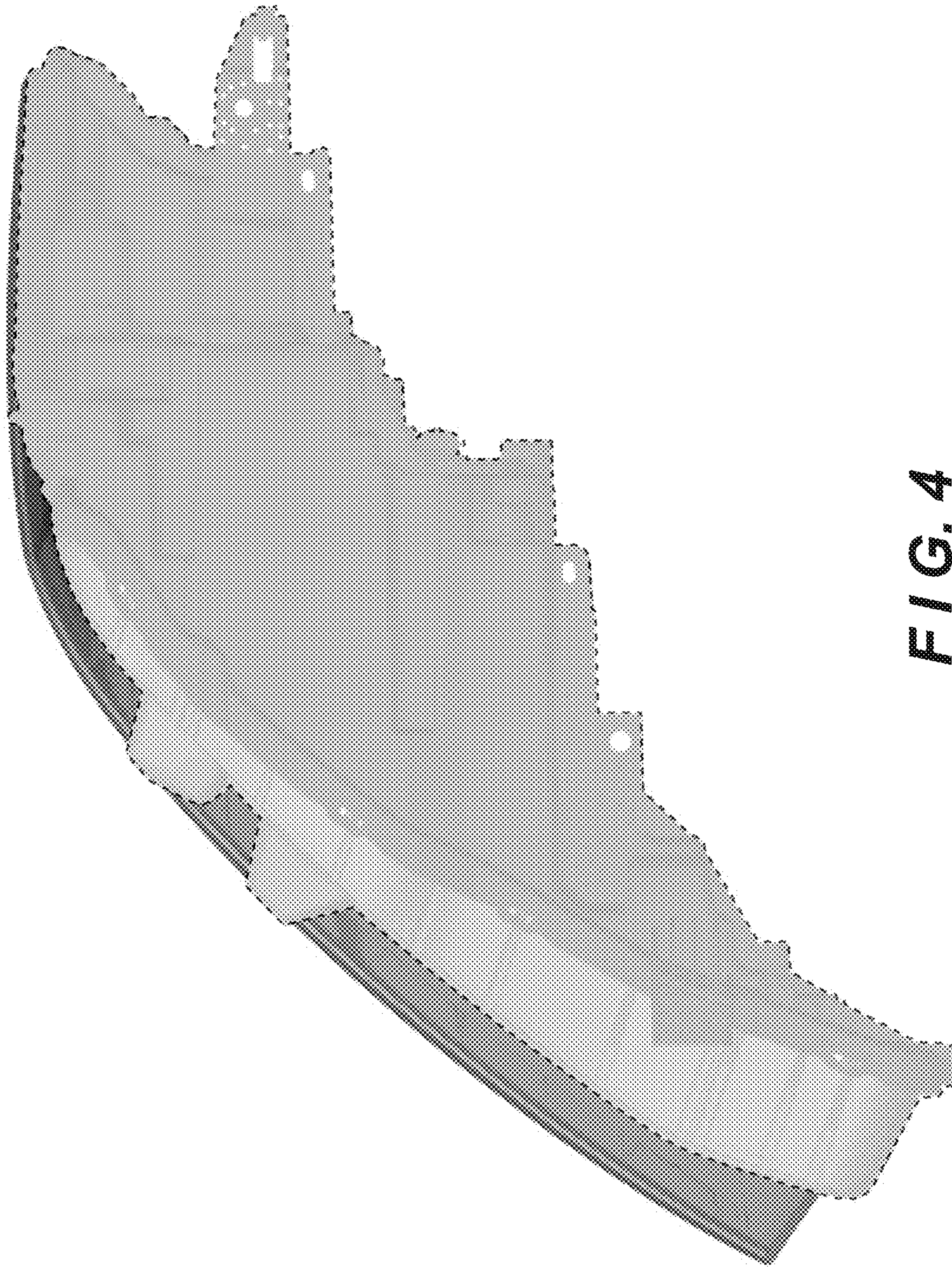


FIG. 4



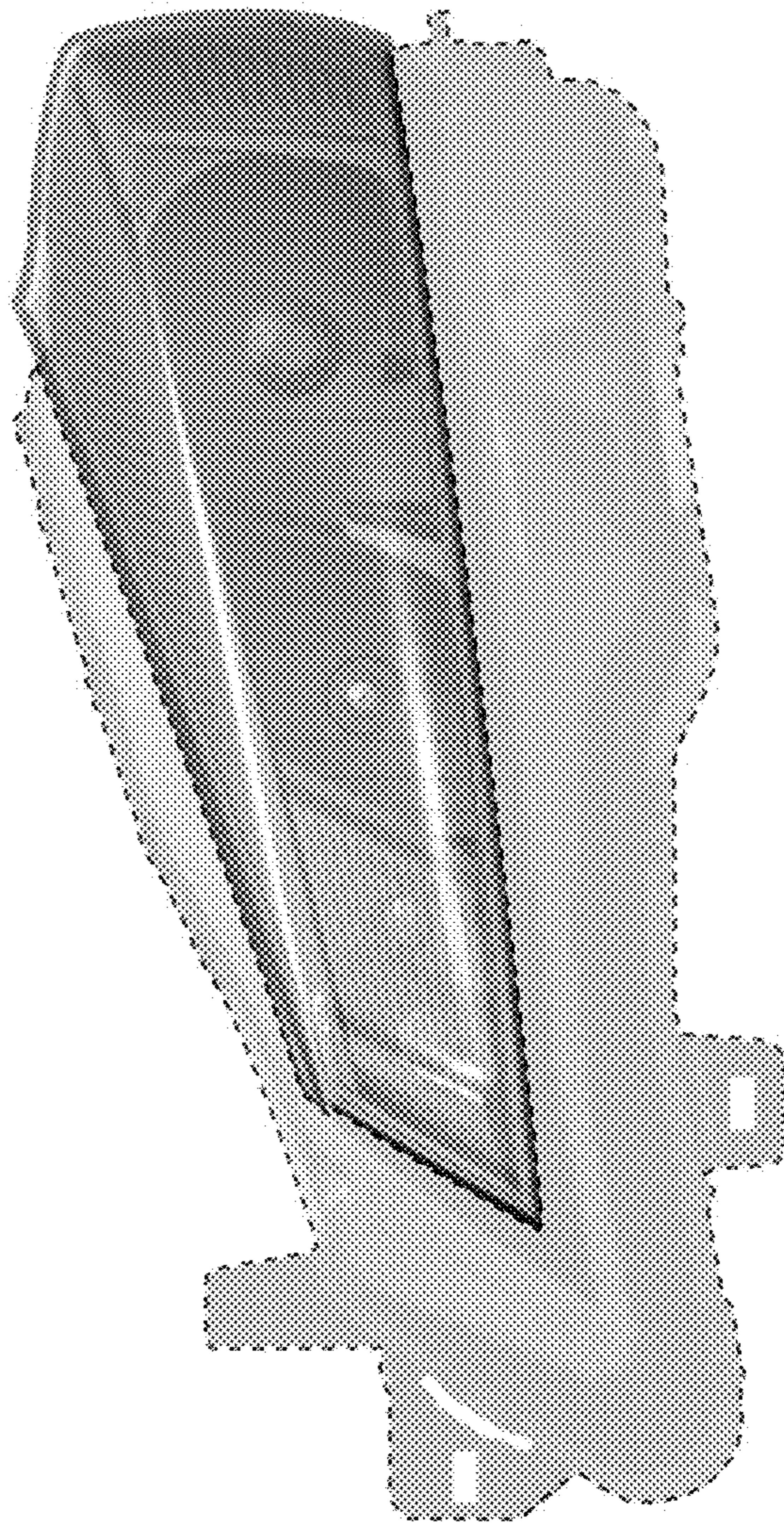


FIG. 5



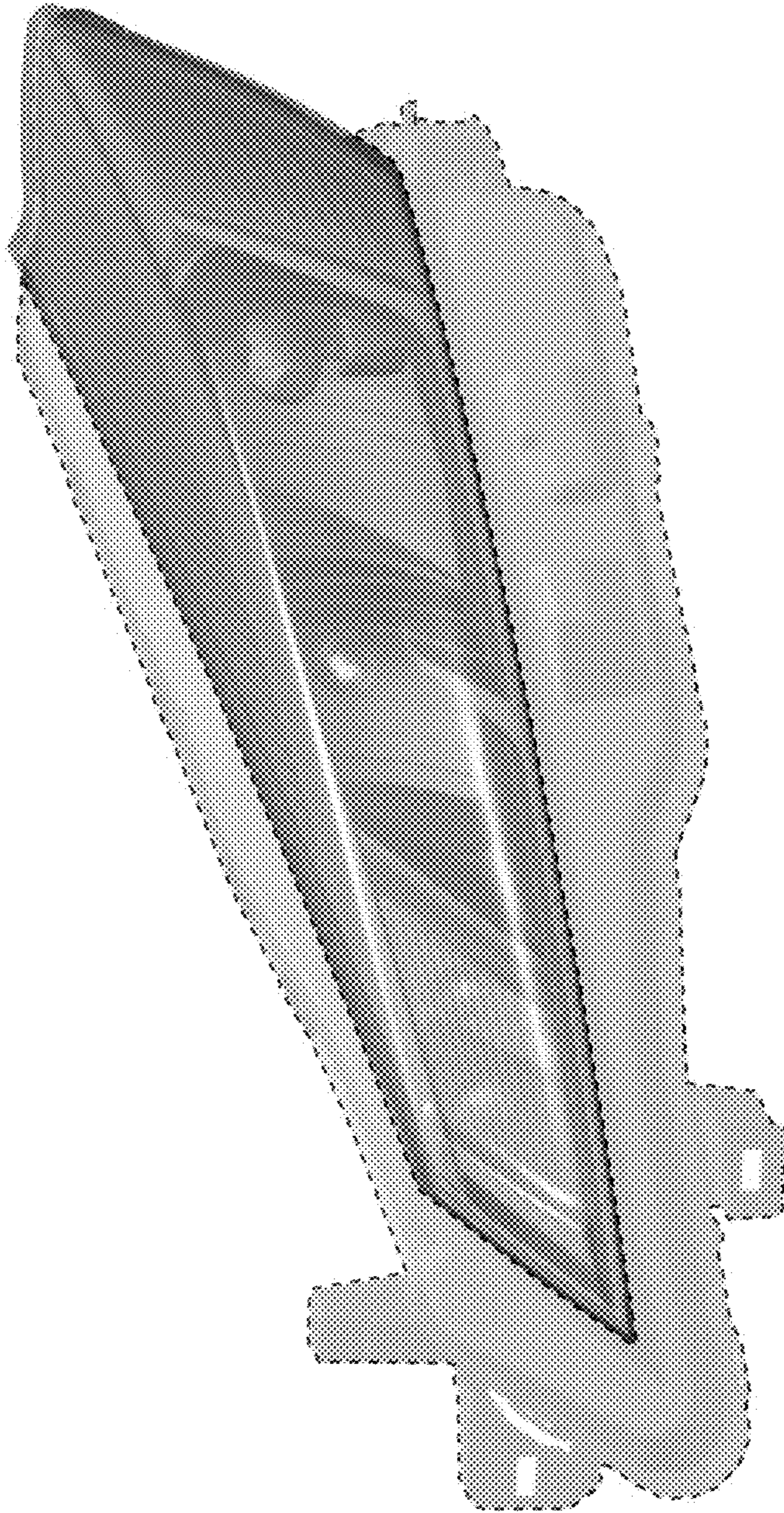


FIG. 6