



US00D951498S

(12) **United States Design Patent** (10) **Patent No.:** **US D951,498 S**  
**Minamiyama** (45) **Date of Patent:** **\*\* May 10, 2022**

(54) **HEADLAMP FOR AUTOMOBILE**

(71) Applicant: **Nissan Motor Co., Ltd.**, Kanagawa (JP)

(72) Inventor: **Shin Minamiyama**, Kanagawa (JP)

(73) Assignee: **Nissan Motor Co., Ltd.**, Yokohama (JP)

(\*\*) Term: **15 Years**

(21) Appl. No.: **29/736,027**

(22) Filed: **May 27, 2020**

(30) **Foreign Application Priority Data**

Nov. 28, 2019 (JP) ..... 2019-026468

(51) **LOC (13) Cl.** ..... **26-06**

(52) **U.S. Cl.**  
USPC ..... **D26/28**

(58) **Field of Classification Search**  
USPC ..... D26/28-36  
CPC ..... B65D 41/04; A47G 23/03; F21V 35/00;  
F21V 14/01; F23D 3/16; F21S 41/00;  
F21S 41/141; F21S 41/162; F21S 41/20;  
F21S 41/18; F21S 41/33; F21S 41/36;  
F21S

(Continued)

(56) **References Cited**

**U.S. PATENT DOCUMENTS**

D665,111 S \* 8/2012 Svensson ..... D26/28  
D776,838 S \* 1/2017 Wu ..... D26/28

(Continued)

**FOREIGN PATENT DOCUMENTS**

JP D1455398 S 11/2012  
JP D1455890 S 11/2012

(Continued)

**OTHER PUBLICATIONS**

“2021 Nissan Kicks” by Caricos, Oct. 22, 2019, first visited Sep. 23, 2021. Online, URL: <[https://www.caricos.com/cars/n/nissan/2021\\_nissan\\_kicks/](https://www.caricos.com/cars/n/nissan/2021_nissan_kicks/)> (Year: 2019) (Year: 2020).\*

*Primary Examiner* — Marissa J Cash

*Assistant Examiner* — Nishaad Sebastian Lorengo

(74) *Attorney, Agent, or Firm* — Global IP Counselors, LLP

(57) **CLAIM**

The ornamental design for a headlamp for an automobile, as shown and described.

**DESCRIPTION**

FIG. 1 is an outside elevational view of a headlamp for an automobile in accordance with a first embodiment of my new design;

FIG. 2 is an inside elevational view thereof;

FIG. 3 is a top plan view thereof;

FIG. 4 is a bottom plan view thereof;

FIG. 5 is a front side elevational view thereof; and,

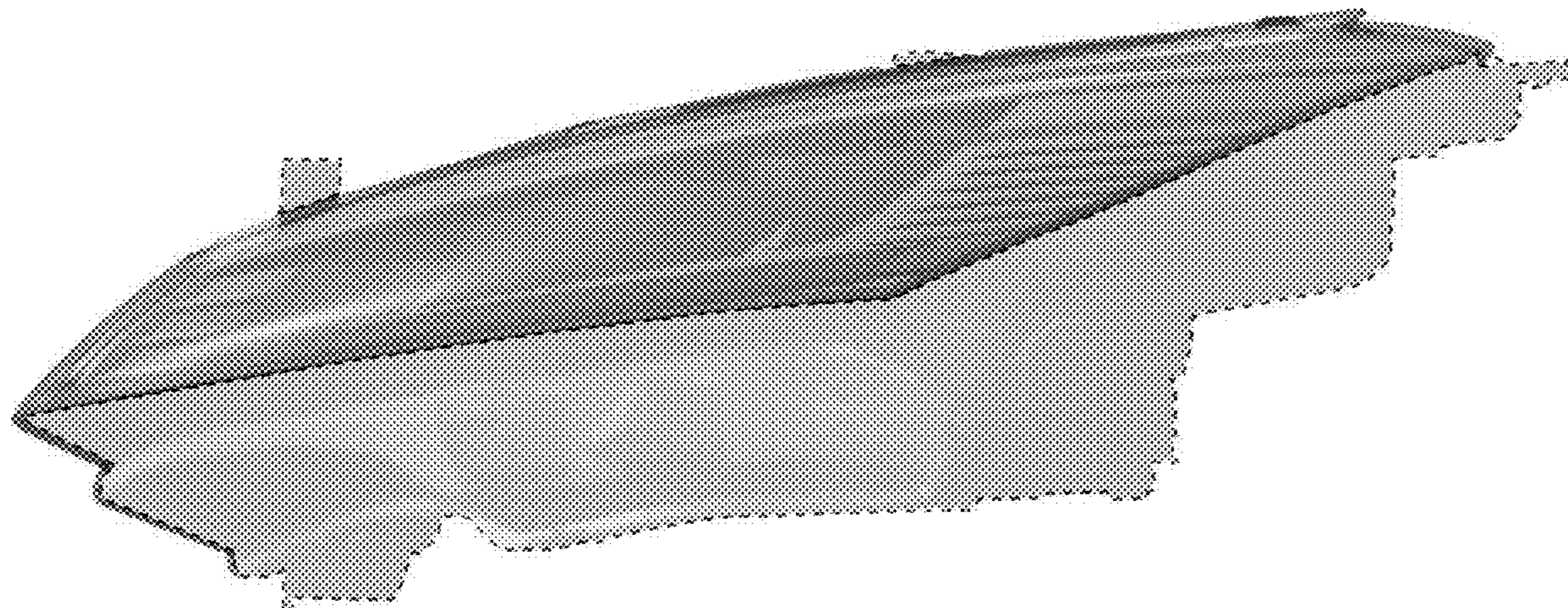
FIG. 6 is a front side perspective view thereof.

The headlamp is configured to be mounted to an automobile. The mounting structure and support structure of the headlamp, shown in broken lines in FIGS. 1 to 6, form no part of the claimed design since the mounting structure and support structure are hidden when the headlamp is mounted to the automobile.

In addition, the appearance of the rear side structures and inside structures of the headlamp as shown in broken lines in FIGS. 1 to 6 is for purpose of illustrating the boundaries of the exterior surface of the outside of the headlamp, and forms no part of the claimed design. The headlamp has a front lens that is transparent such that features behind the lens are at least partially visible as illustrated.

A second embodiment of my new design includes the mirror image of the headlamp shown in FIGS. 1 to 6.

**1 Claim, 6 Drawing Sheets**



(58) **Field of Classification Search**  
 CPC ..... 21/04; F21S 41/60; F21S 43/00; F21W  
 2103/35; F21W 2103/40; F21W 2104/00;  
 F21W 2107/17; F21W 2107/13  
 See application file for complete search history.

(56) **References Cited**  
 U.S. PATENT DOCUMENTS  
 D805,663 S \* 12/2017 Koizumi ..... D26/28  
 2017/0356635 A1 \* 12/2017 Zawacki ..... B60Q 1/2696  
 2019/0003673 A1 \* 1/2019 Hirata ..... F21S 41/125

FOREIGN PATENT DOCUMENTS

JP	D1458994 S	1/2015
JP	D1530843 S	8/2015
JP	D1538027 S	11/2015
JP	D1538028 S	11/2015
JP	D1552160 S	6/2016
JP	D1538317 S	11/2017
JP	D1565486 S	12/2017
JP	D1566293 S	12/2017
JP	D1597767 S	2/2018
JP	D1598681 S	3/2018
JP	D1584959 S	8/2018

JP	D1611457 S	8/2018
JP	D1585901 S	9/2018
JP	D1621177 S	12/2018
JP	D1598678 S	2/2019
JP	D1599577 S	3/2019
JP	D1578672 S	6/2019
JP	D1582859 S	7/2019
JP	D1557611 S	8/2019
JP	D1557615 S	8/2019
JP	D1558729 S	8/2019
JP	D1619833 S	12/2019
JP	D1620707 S	12/2019
JP	D1625167 S	2/2020
JP	D1652687 S	2/2020
JP	D1652704 S	2/2020
JP	D1653007 S	2/2020
JP	D1648417 S	3/2020
JP	D1655017 S	3/2020
JP	D1661223 S	6/2020
JP	D1640141 S	8/2020
JP	D1641051 S	8/2020
JP	D1648851 S	12/2020
JP	D1648859 S	12/2020
JP	D1649739 S	1/2021
JP	D1649740 S	1/2021
JP	D1658677 S	4/2021
JP	D1658678 S	4/2021

\* cited by examiner

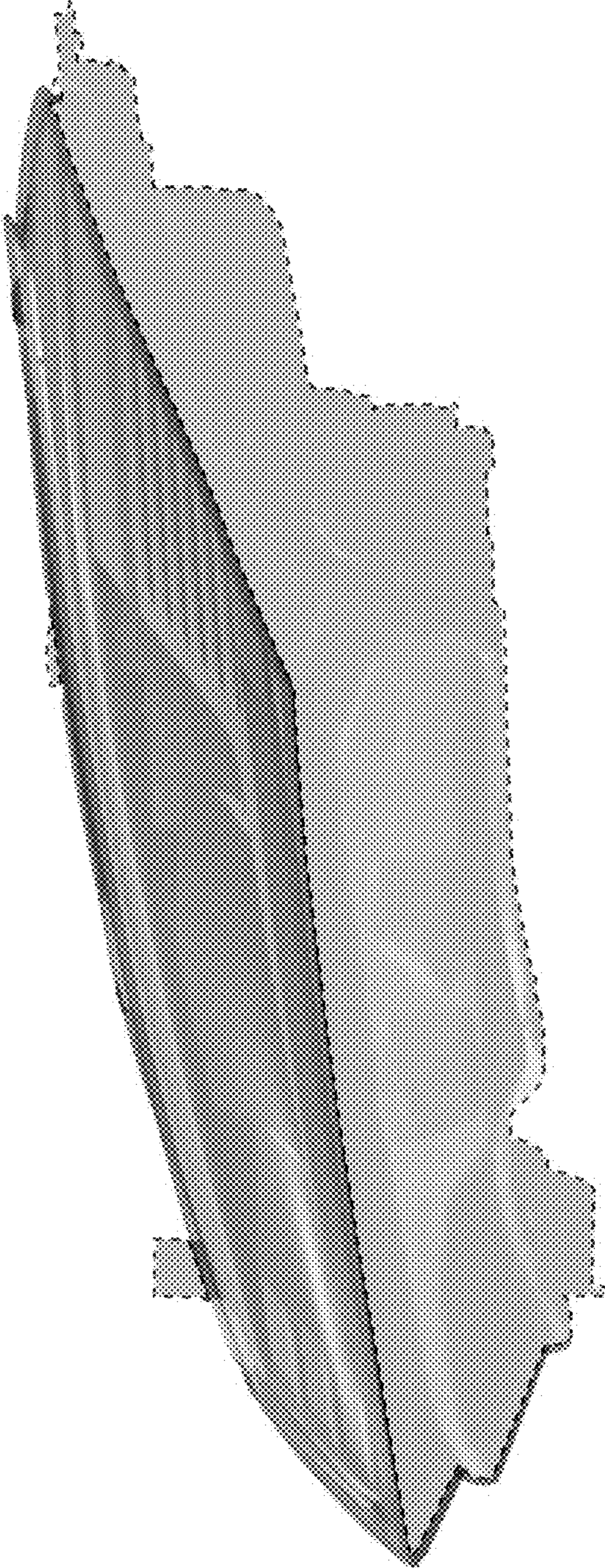
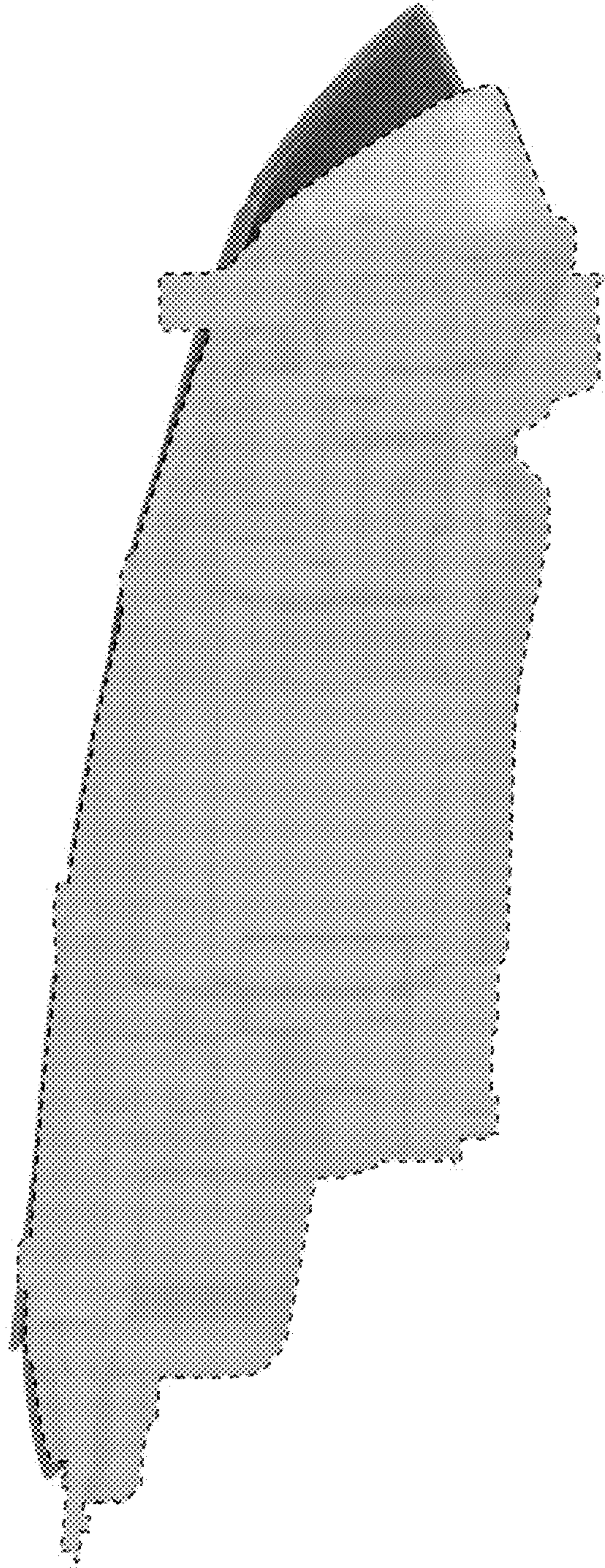


FIG. 1



**FIG. 2**



**FIG. 3**

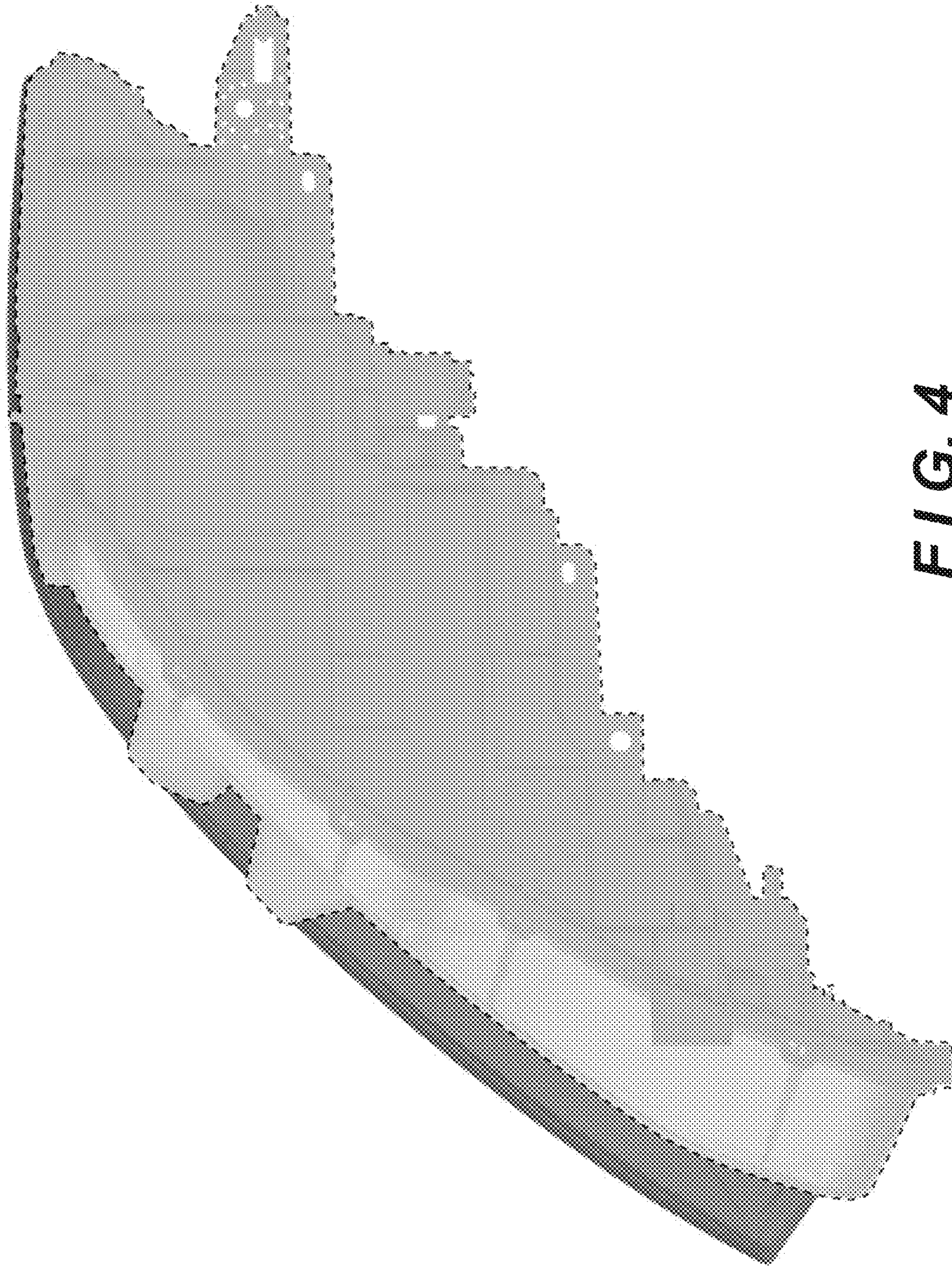
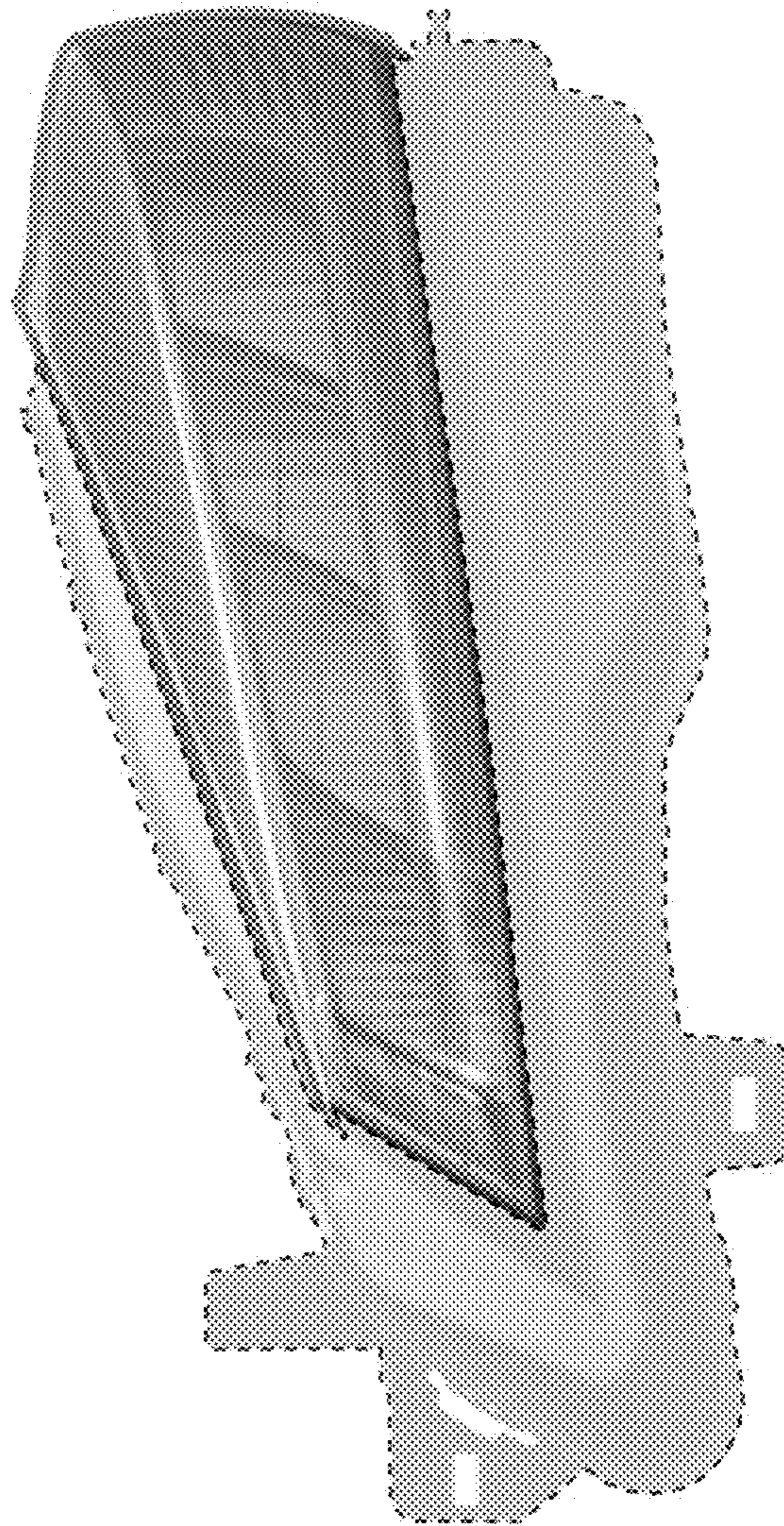


FIG. 4



**FIG. 5**

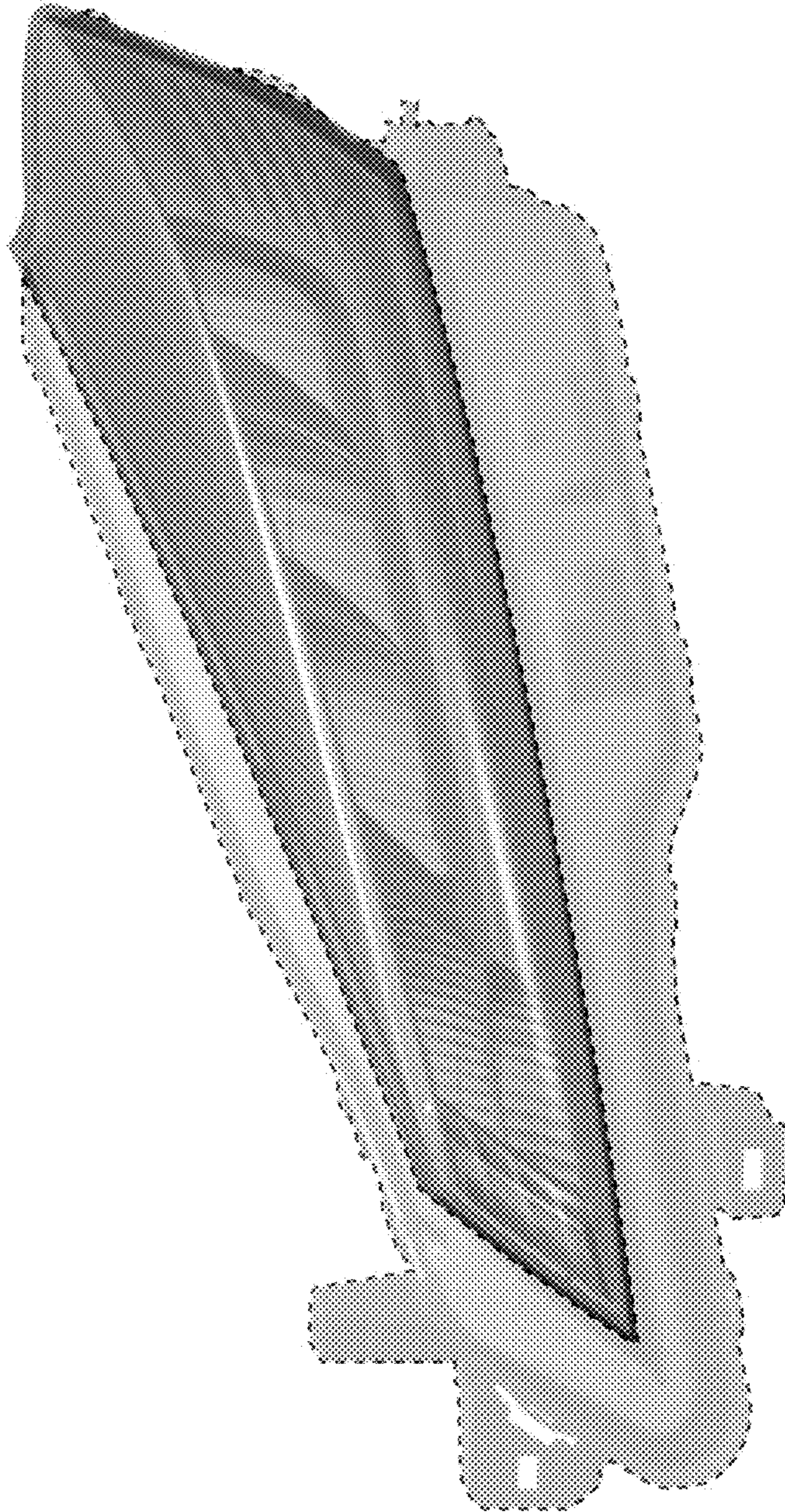


FIG. 6