



US00D951496S

(12) **United States Design Patent**
Xiao

(10) **Patent No.:** **US D951,496 S**

(45) **Date of Patent:** **** May 10, 2022**

(54) **LIGHT STRING**

(71) Applicant: **SHENZHEN YANGYANGYANG TRADING CO., LTD.**, Shenzhen (CN)

(72) Inventor: **Yang Xiao**, Ganzhou (CN)

(73) Assignee: **SHENZHEN YANGYANGYANG TRADING CO., LTD.**, Shenzhen (CN)

(**) Term: **15 Years**

(21) Appl. No.: **29/787,606**

(22) Filed: **Jun. 8, 2021**

(51) **LOC (13) Cl.** **26-04**

(52) **U.S. Cl.**

USPC **D26/25**

(58) **Field of Classification Search**

USPC D26/1, 24, 25, 27, 77, 113, 118;
D11/121; D20/10

CPC F21S 4/00; F21S 4/10; F21S 4/15; F21S
4/20; F21S 13/14; F21V 21/00; F21V
21/008; F21V 23/00; F21W 2121/00;
F21W 2121/04

See application file for complete search history.

(56) **References Cited**

U.S. PATENT DOCUMENTS

D351,915 S *	10/1994	Hermanson	D26/25
5,645,342 A *	7/1997	Chang	F21S 4/10 362/249.15
5,775,802 A *	7/1998	Kuo	F21S 4/10 362/396
5,839,819 A *	11/1998	Pan	F21V 19/0005 362/396
D416,637 S *	11/1999	Mount	F21S 4/10 D26/25
6,048,077 A *	4/2000	Pan	F21V 21/08 362/396

(Continued)

OTHER PUBLICATIONS

LOENDE Battery Operated String Lights, Mar. 18, 2018, Amazon.com, site visited Aug. 20, 2021, url: <https://www.amazon.com/dp/B01FJJVFG> (Year: 2018).*

(Continued)

Primary Examiner — T Chase Nelson

Assistant Examiner — Rachel Wolfe

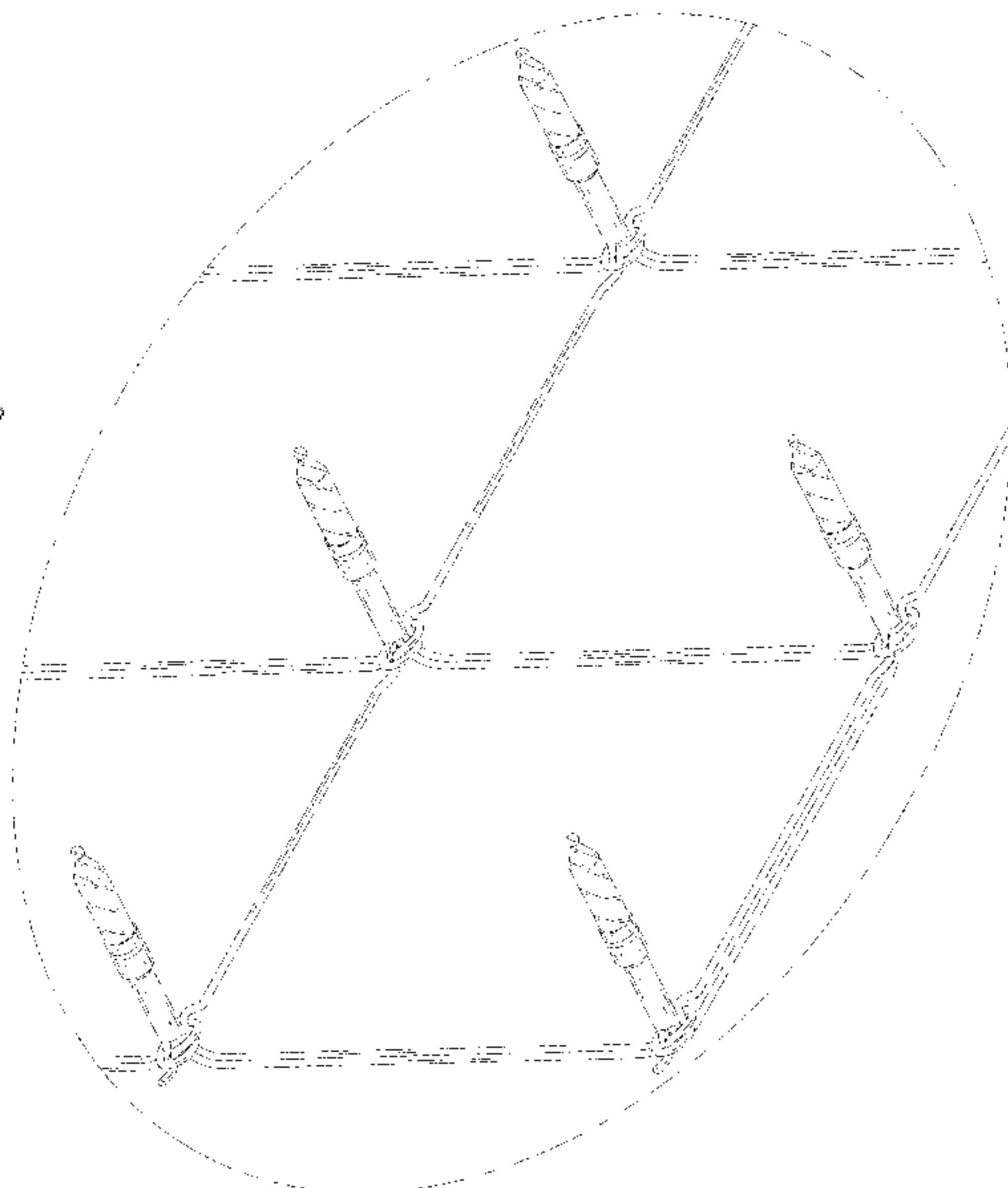
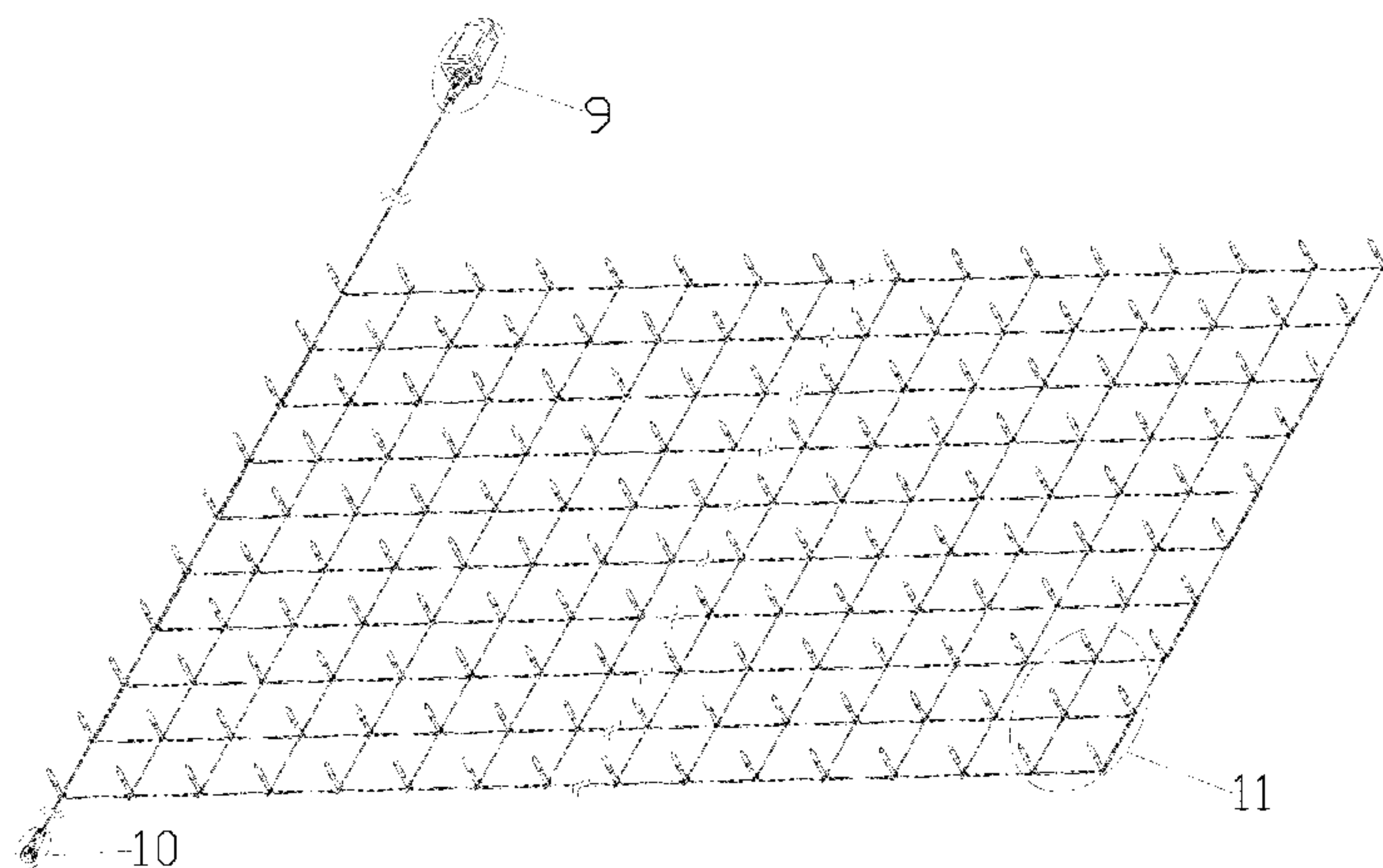
(57) **CLAIM**

The ornamental design for a light string, as shown and described.

DESCRIPTION

FIG. 1 is a perspective view of a light string showing my new design;
 FIG. 2 is another perspective view thereof;
 FIG. 3 is a front elevational view thereof;
 FIG. 4 is a rear elevational view thereof;
 FIG. 5 is a left side elevational view thereof;
 FIG. 6 is a right side elevational view thereof;
 FIG. 7 is a top plan view thereof;
 FIG. 8 is a bottom plan view thereof;
 FIG. 9 is an enlarged view of portion 9 shown in FIG. 1;
 FIG. 10 is an enlarged view of portion 10 shown in FIG. 1;
 FIG. 11 is an enlarged view of portion 11 shown in FIG. 1;
 and,
 FIG. 12 is an enlarged view of portion 12 shown in FIG. 5.
 The light string is shown with symbolic breaks in its length, and the appearance of any portion of the light string between the break lines forms no part of the claimed design. The broken lines in the drawings depict portions of the light string that form no part of the claimed design. The broken lines of alternating length are for the purpose of illustrating the boundaries of the enlarged fragments shown in FIGS. 9-12 and form no part of the claimed design.

1 Claim, 12 Drawing Sheets



(56)

References Cited

U.S. PATENT DOCUMENTS

6,149,284 A * 11/2000 Wang F21S 4/10
 362/249.15
 6,184,629 B1 * 2/2001 Won F21S 4/10
 315/185 S
 6,217,193 B1 * 4/2001 Won F21S 4/10
 362/249.16
 6,450,665 B1 * 9/2002 Cheng F21S 4/10
 362/249.15
 6,575,595 B1 * 6/2003 Wu F21S 4/15
 362/249.16
 D778,468 S 2/2017 van der Lande
 D824,551 S 7/2018 Malpede
 D924,448 S * 7/2021 Zhou D26/21
 D925,783 S * 7/2021 Xiao D26/25
 D936,254 S * 11/2021 Gu D26/25
 D940,921 S * 1/2022 Yin D26/25
 D941,507 S * 1/2022 Du D26/25

2006/0087837 A1* 4/2006 Chen H01R 27/02
 362/227
 2013/0163250 A1* 6/2013 Chen H01R 33/06
 362/249.06
 2015/0078000 A1* 3/2015 Chen F21S 4/15
 362/249.16
 2019/0113188 A1* 4/2019 Miller F21V 21/08

OTHER PUBLICATIONS

LOENDE Christmas Lights with Timer & Indicator, Aug. 28, 2018, Amazon.co.uk, site visited Oct. 1, 2021, url: <https://www.amazon.co.uk/dp/B07GWRZLHJ> (Year: 2018).*

Kringle Traditions Halloween Hanging Outdoor Lights, Jun. 1, 2018, Amazon.com, site visited Mar. 25, 2022, url: <https://www.amazon.com/dp/B07DGM7YHL> (Year: 2018).*

Home Accents Holiday Twinkling Dome Net Lights, Jan. 29, 2019, Amazon.com, site visited Mar. 25, 2022, url: <https://www.amazon.com/dp/B07N7LJ3HP> (Year: 2019).*

* cited by examiner

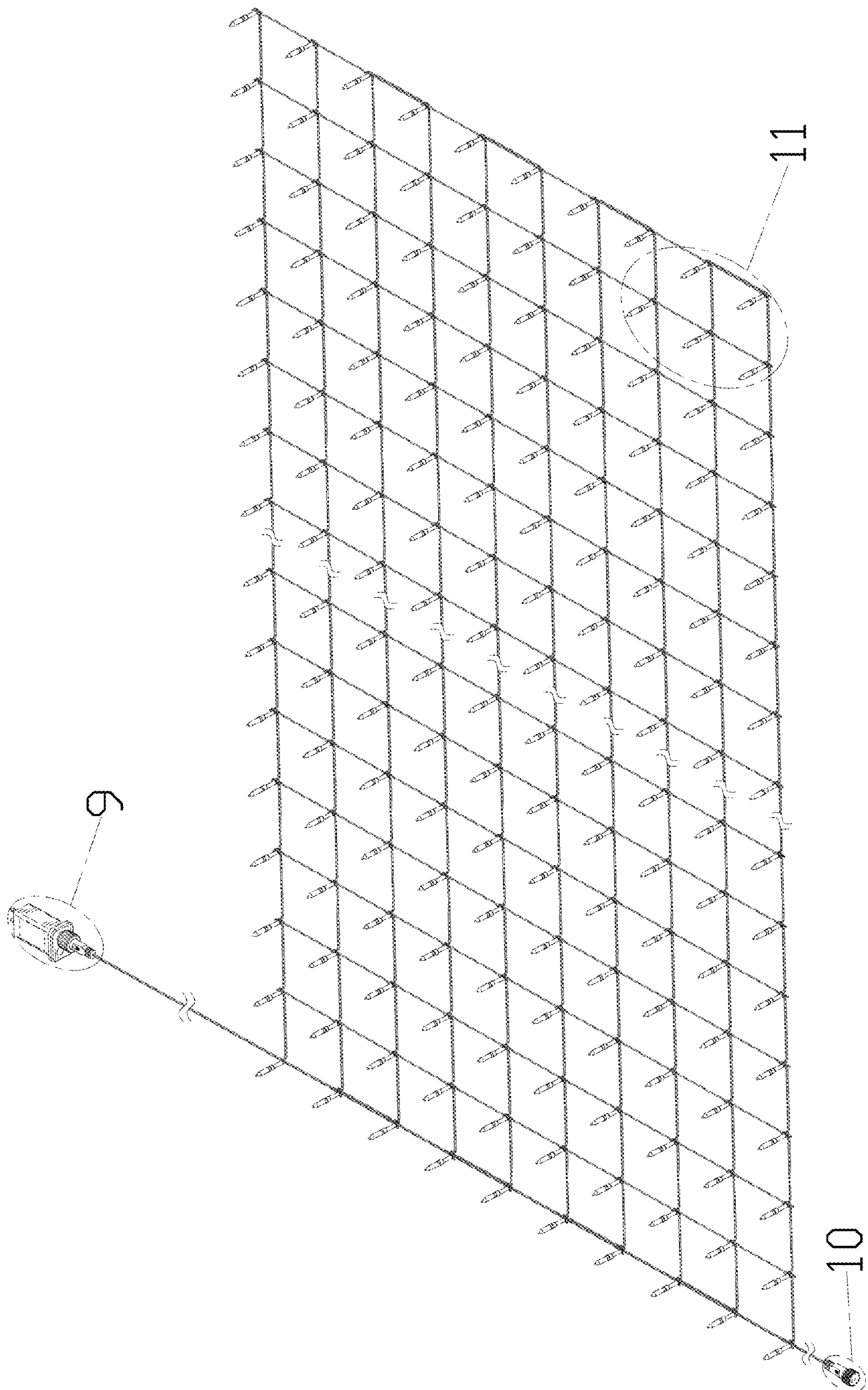


FIG. 1

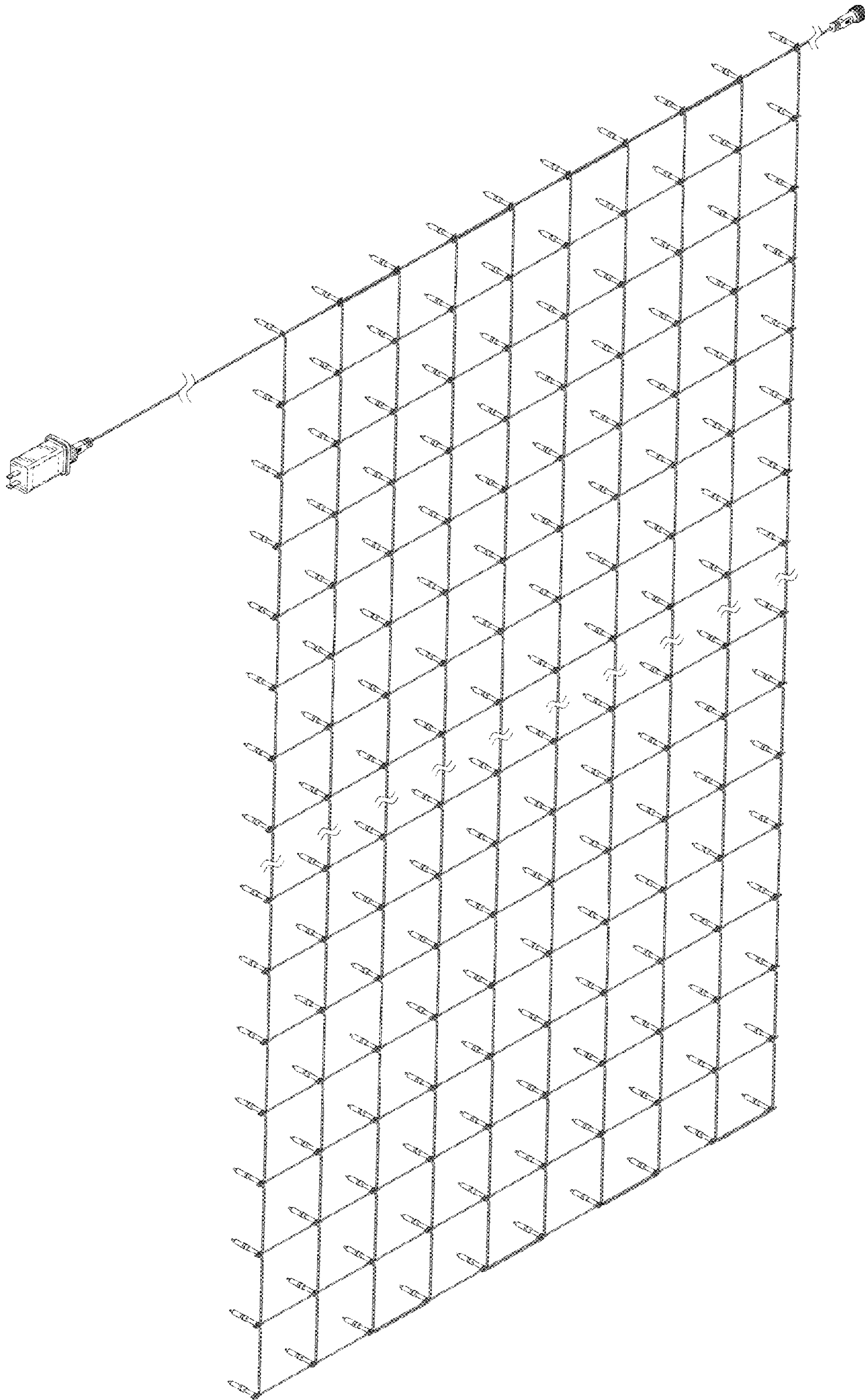


FIG. 2

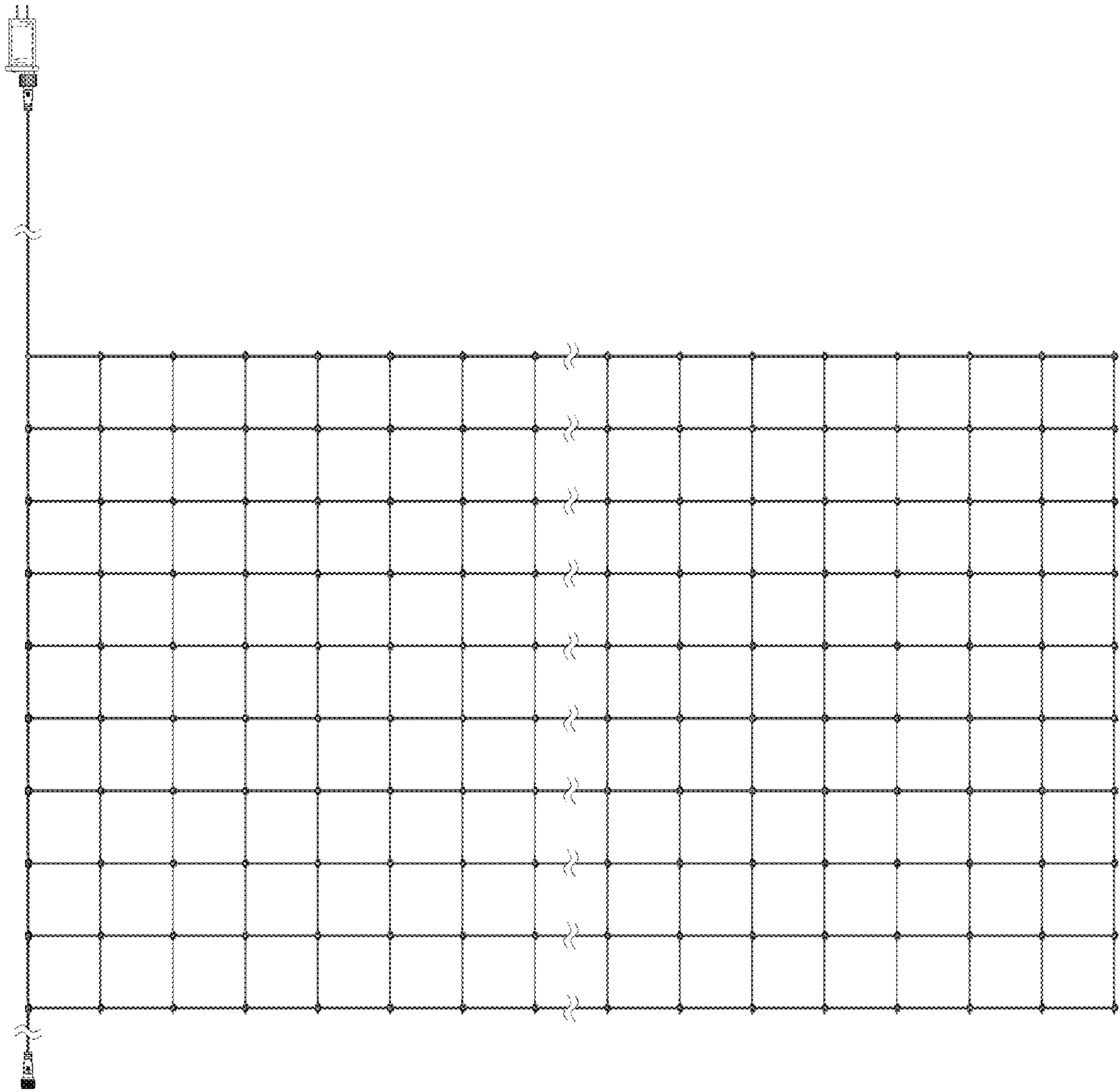


FIG. 3

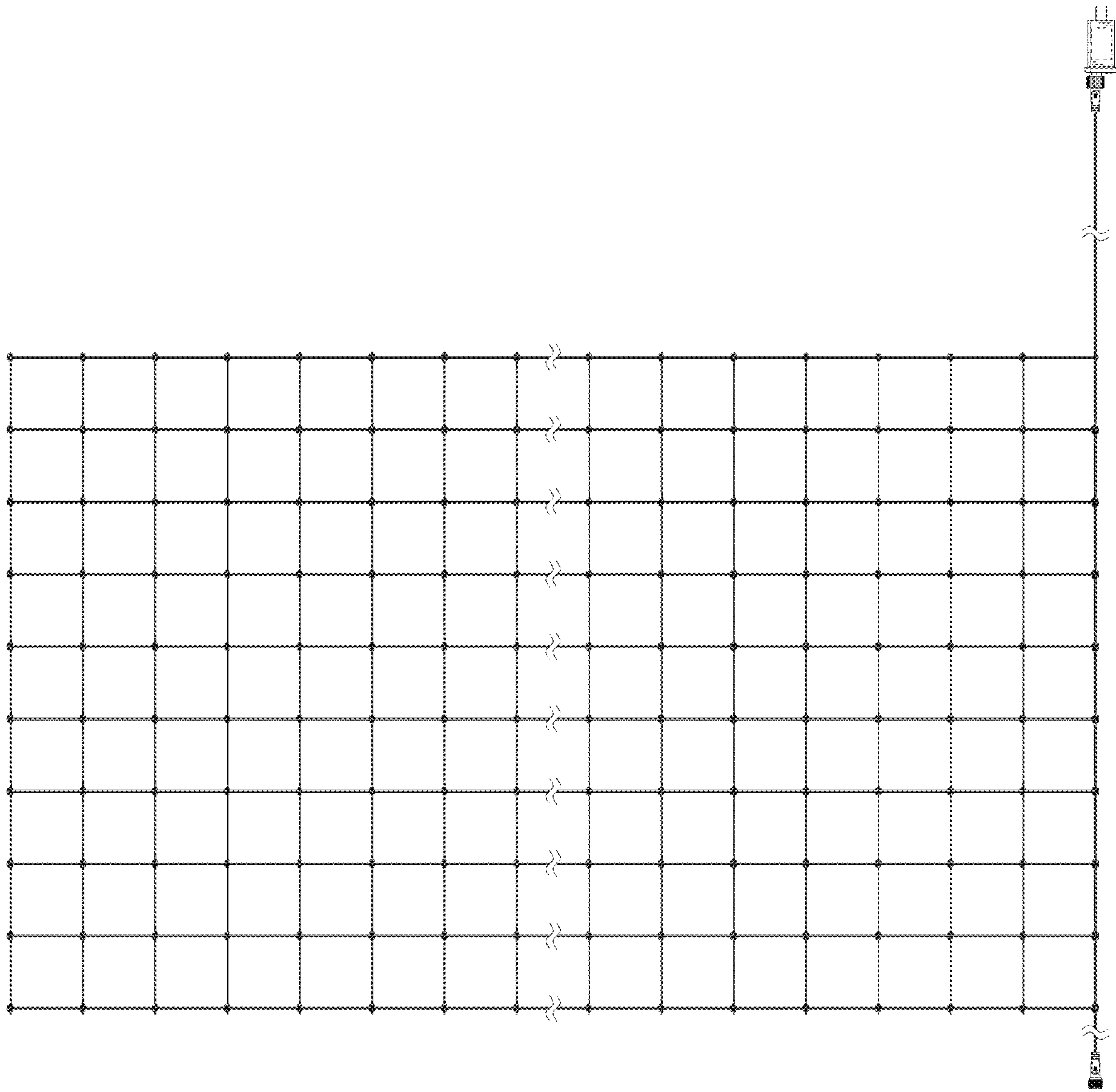


FIG. 4

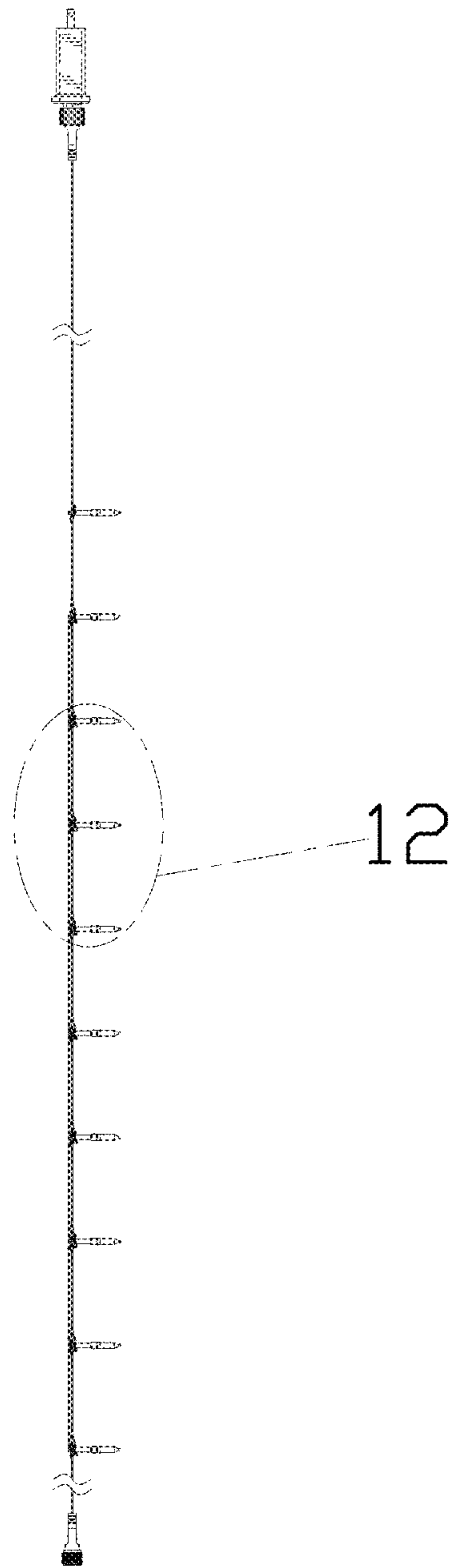


FIG. 5

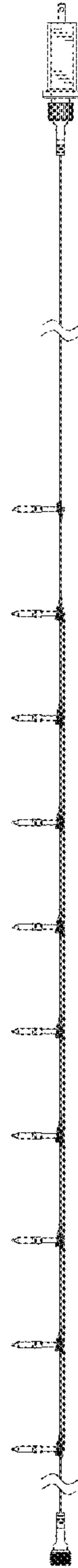


FIG. 6

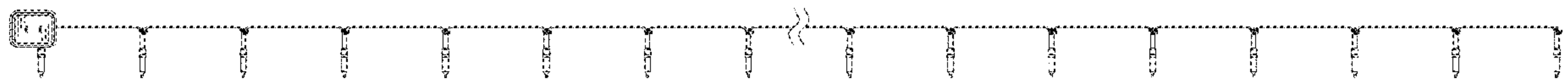


FIG. 7

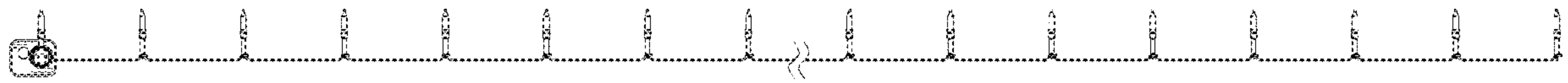


FIG. 8

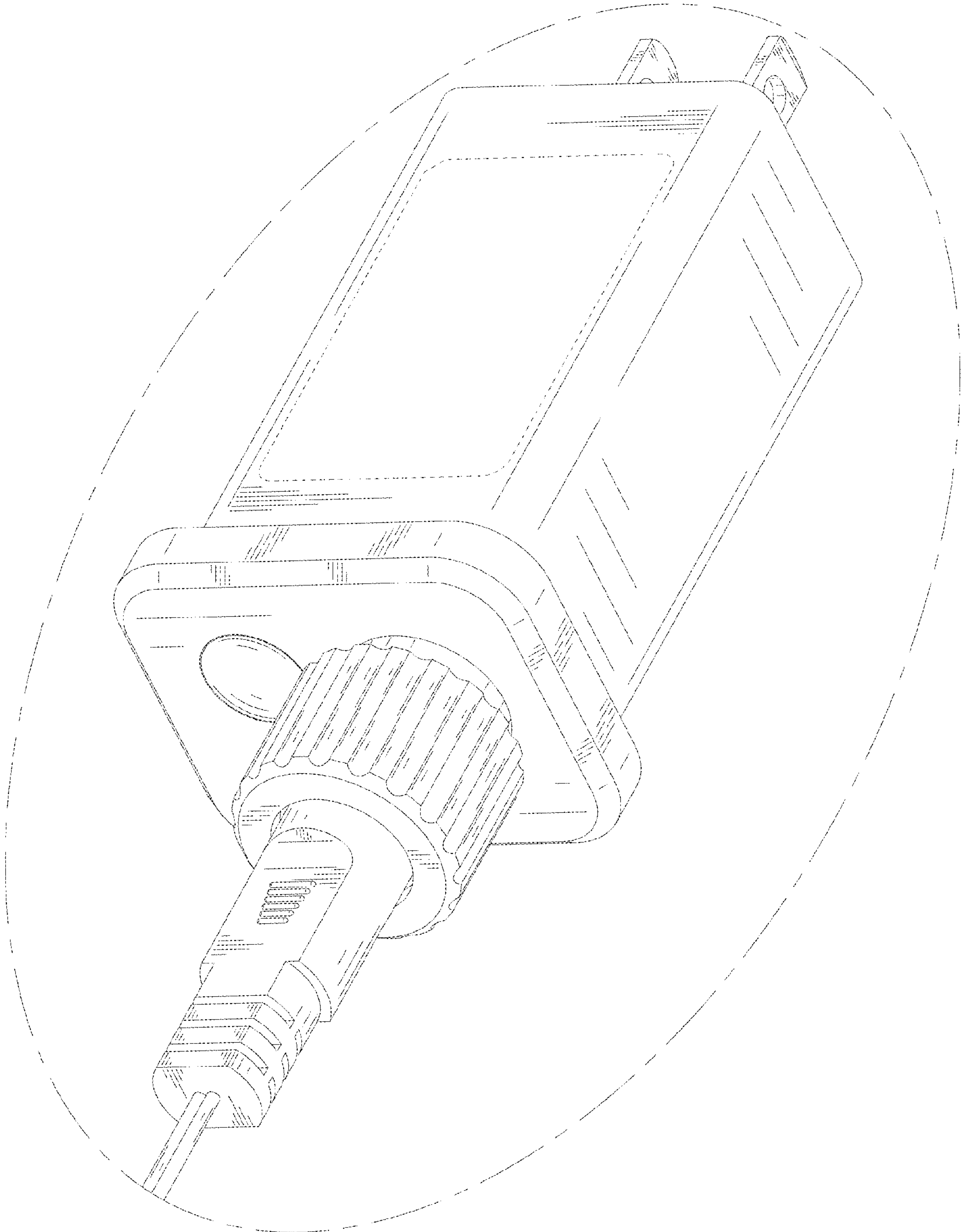


FIG. 9

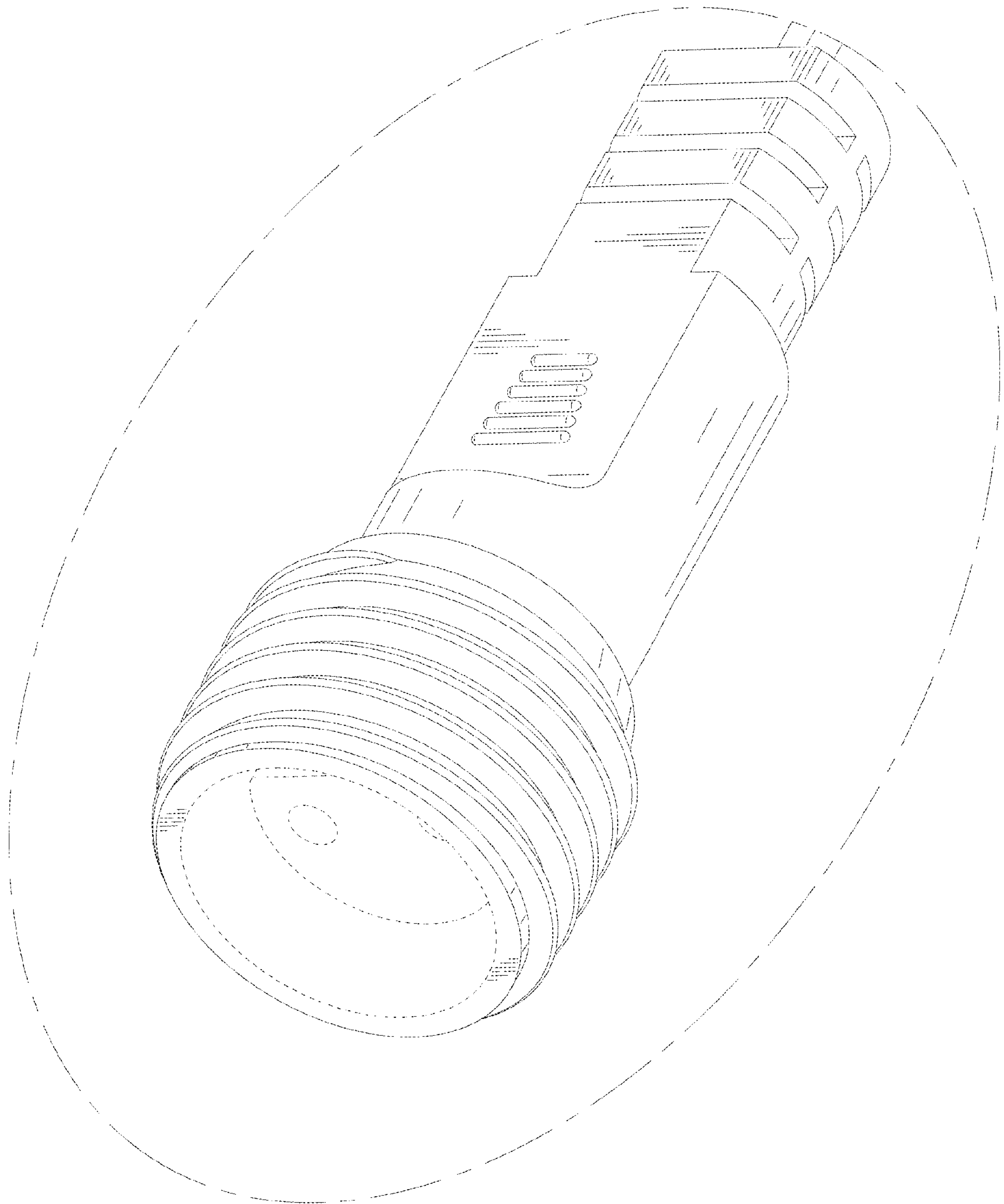


FIG. 10

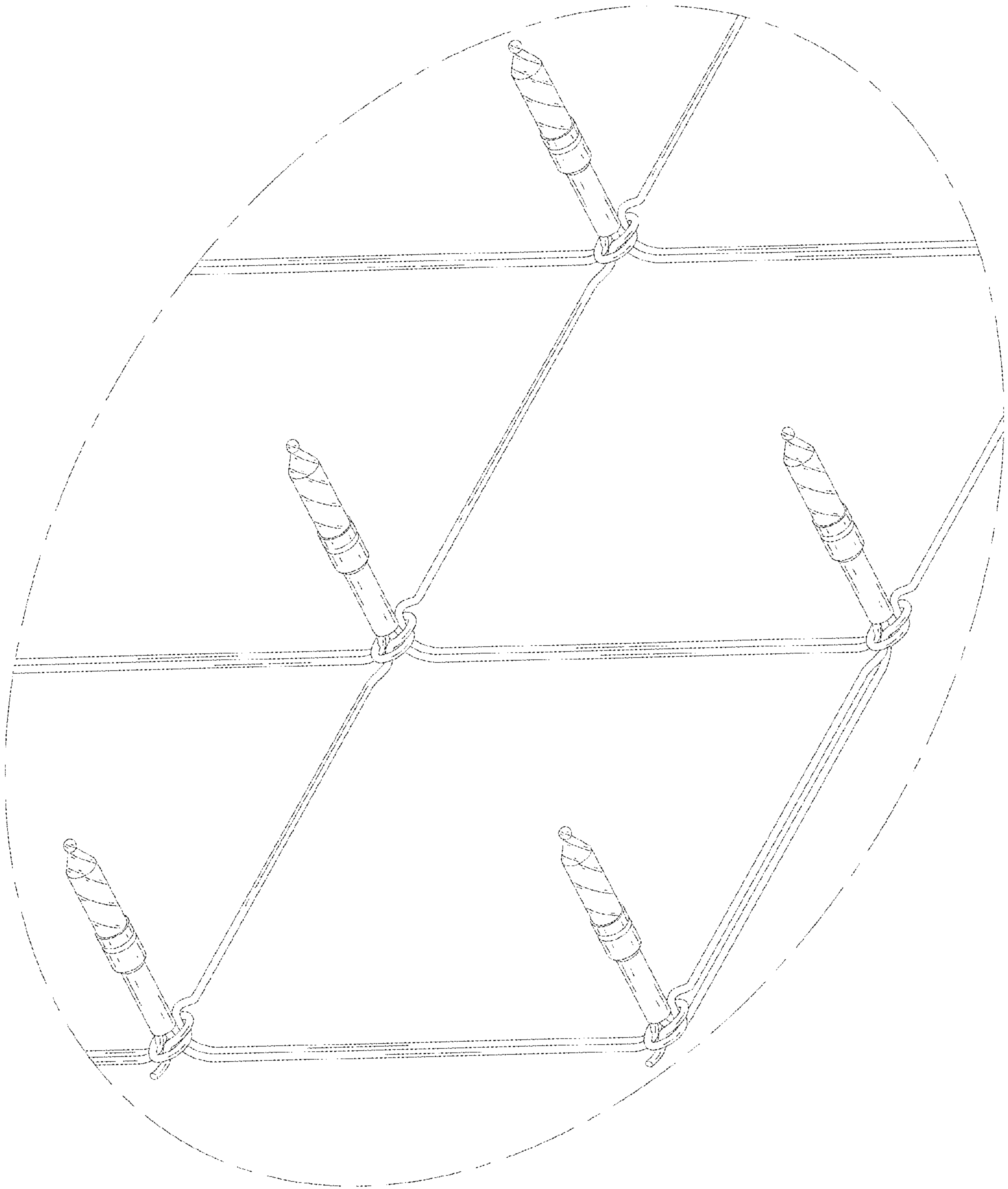


FIG. 11

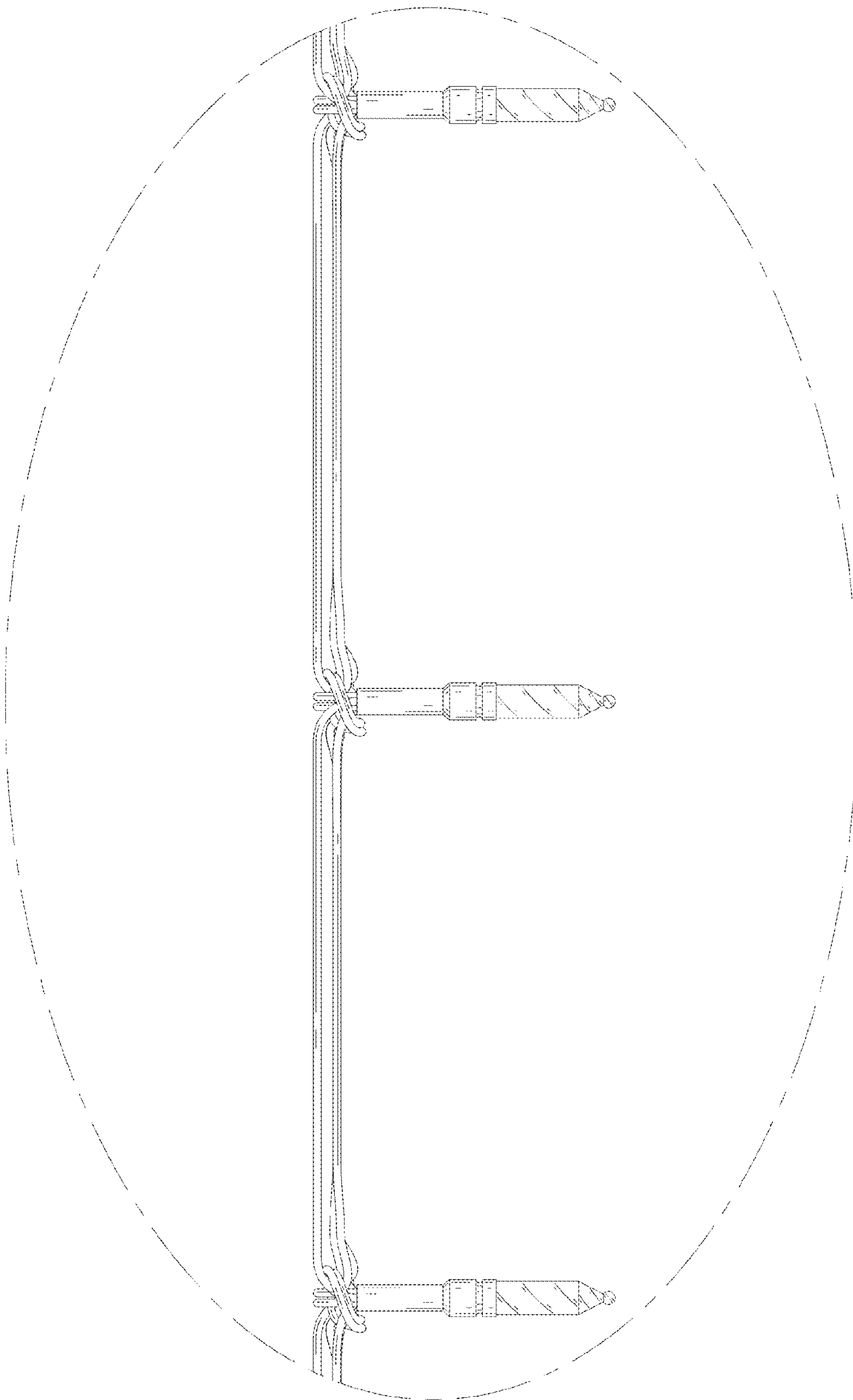


FIG. 12