



US00D951495S

(12) **United States Design Patent** (10) **Patent No.:** **US D951,495 S**
He (45) **Date of Patent:** **** May 10, 2022**

(54) **STRING LIGHT**

(71) Applicant: **Shangyou Jiayi Lighting Products Co., Ltd.**, Ganzhou (CN)

(72) Inventor: **Yaowen He**, Ganzhou (CN)

(**) Term: **15 Years**

(21) Appl. No.: **29/783,260**

(22) Filed: **May 12, 2021**

(51) **LOC (13) Cl.** **26-04**

(52) **U.S. Cl.**
USPC **D26/25**

(58) **Field of Classification Search**

USPC ... D26/1, 24, 25, 27, 37, 39, 113, 118, 2, 4,
D26/67, 69
CPC F21S 2/00; F21S 4/00; F21S 4/10; F21S
4/15; F21S 4/20; F21K 9/00; F21W
2121/00; F21W 2121/04; A44C 15/0015;
A01G 5/04

See application file for complete search history.

(56) **References Cited**

U.S. PATENT DOCUMENTS

- 5,499,174 A * 3/1996 Lin F21S 4/10
362/311.06
- D382,355 S * 8/1997 Oetken H02M 7/003
D26/2
- D425,217 S * 5/2000 Oetken H05B 45/40
D26/2
- D459,496 S * 6/2002 Lin F21S 4/10
D26/2
- D487,596 S * 3/2004 Callahan D26/2
- D501,262 S * 1/2005 Kling D26/2
- D603,535 S 11/2009 Sterijevski
- 8,070,347 B1 * 12/2011 Lin F21S 4/10
362/656
- 8,746,953 B1 * 6/2014 Shao F21V 31/005
362/651
- D778,468 S 2/2017 van der Lande
- D816,874 S * 5/2018 Lentz F21S 4/10
D26/25

- D825,793 S 8/2018 Lentz
 - D910,889 S 2/2021 Zhou
 - D914,253 S 3/2021 Kuang
 - D915,642 S 4/2021 Anderson
- (Continued)

FOREIGN PATENT DOCUMENTS

- EM 008533061-0001 * 6/2021
- GB 6136175 * 5/2021

OTHER PUBLICATIONS

Brite Star Faceted Light, Oct. 29, 2014, Amazon.co.uk, site visited Jan. 27, 2022, url: <https://www.amazon.co.uk/dp/B00GKIZQIC> (Year: 2014).*

(Continued)

Primary Examiner — T Chase Nelson
Assistant Examiner — Rachel Wolfe
(74) *Attorney, Agent, or Firm* — Rमित Ranjit Kanakia

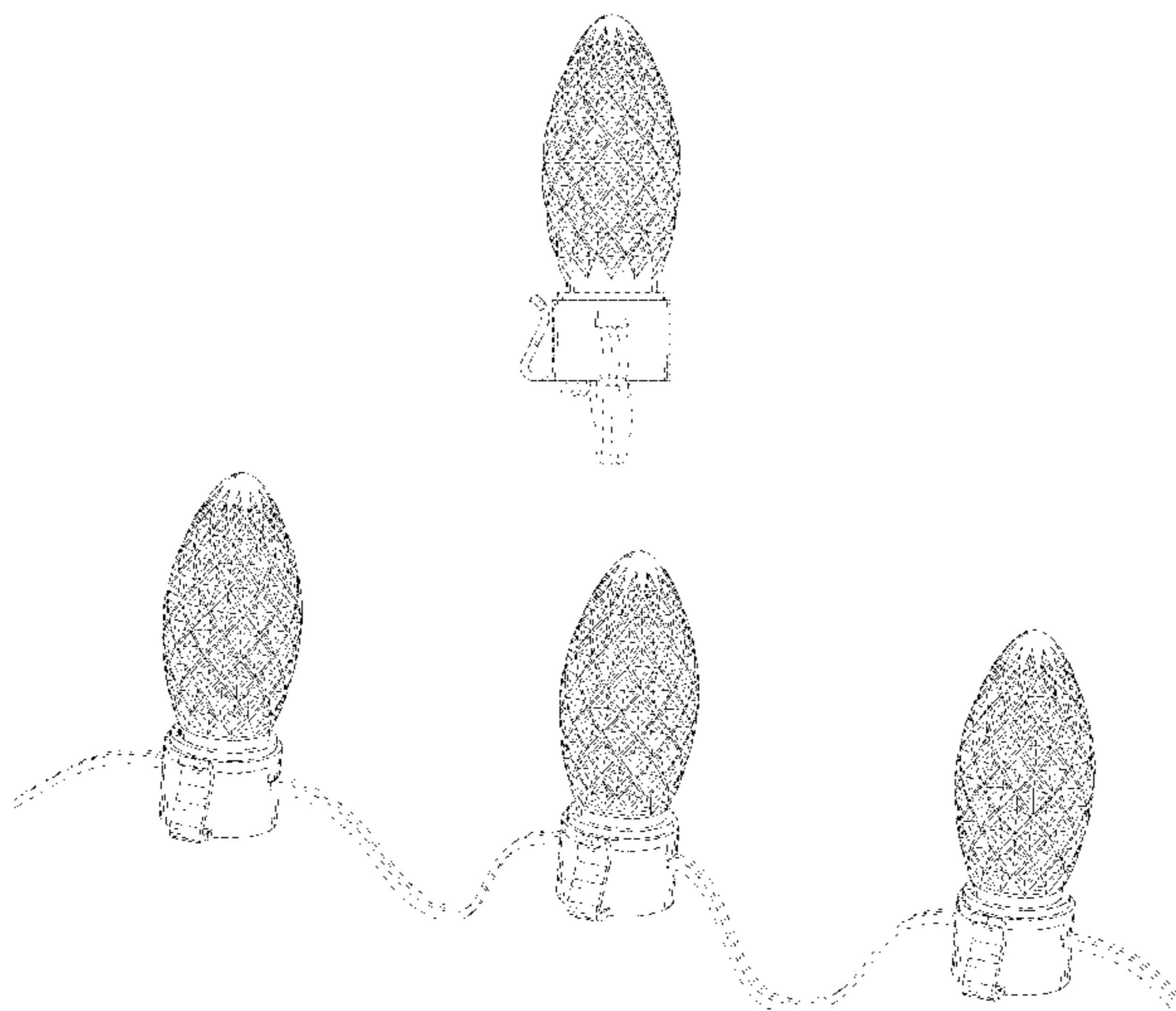
(57) **CLAIM**

The ornamental design for a string light, as shown and described.

DESCRIPTION

FIG. 1 is a front elevational view of a string light showing my new design;
FIG. 2 is a rear elevational view thereof;
FIG. 3 is a left side view thereof;
FIG. 4 is a right side view thereof;
FIG. 5 is a top plan view thereof;
FIG. 6 is a bottom plan view thereof;
FIG. 7 is a perspective view thereof; and,
FIG. 8 is another perspective view thereof.
The broken lines in the figures are for the purposes of illustrating portions of the string light which form no part of the claimed design.

1 Claim, 8 Drawing Sheets



(56)

References Cited

U.S. PATENT DOCUMENTS

D915,643 S 4/2021 Liang
 D916,333 S 4/2021 Liang
 D917,082 S 4/2021 Zhou
 D918,441 S 5/2021 Liu
 D919,127 S * 5/2021 Zhou D26/4
 D919,132 S * 5/2021 Du D26/25
 D935,647 S * 11/2021 Zhang D26/25
 D940,918 S * 1/2022 Wang D26/4
 D940,919 S * 1/2022 Jin D26/4
 2007/0159822 A1 * 7/2007 Lin F21V 19/0005
 362/249.16
 2009/0080195 A1 * 3/2009 Huang F21V 31/005
 362/267
 2009/0251923 A1 * 10/2009 Yu F21V 31/005
 362/653
 2011/0051471 A1 * 3/2011 Chen H02M 7/003
 363/21.16
 2012/0218759 A1 * 8/2012 Cooper F16B 2/245
 24/457
 2013/0051079 A1 * 2/2013 Xu F21S 4/10
 362/640

2013/0147369 A1 * 6/2013 Zhang H05B 45/40
 315/363
 2014/0126211 A1 * 5/2014 Chiang F21V 23/005
 362/249.16
 2015/0211717 A1 * 7/2015 Liu F21V 3/02
 362/310
 2015/0233562 A1 * 8/2015 Chiang F21V 23/005
 362/249.06
 2019/0140413 A1 * 5/2019 Hendricks F21K 9/20
 2021/0140623 A1 * 5/2021 Yu F21V 19/0025

OTHER PUBLICATIONS

Fimghsoo C7 Outdoor String Light Set, Sep. 22, 2020, Amazon.com, site visited Jan. 27, 2022, url: <https://www.amazon.com/Fimghsoo-Outdoor-String-Light-Set/dp/B08C9V8V9D?th=1> (Year: 2020).*

Minetom 25 Feet C7 Led Christmas Light, Jul. 15, 2020, Amazon.com, site visited Jan. 27, 2022, url: <https://www.amazon.com/dp/B08CZVFWMP> (Year: 2020).*

Wintergreen OptiCore LED Pathway Christmas Lights, Dec. 1, 2020, Amazon.com, site visited Jan. 27, 2022, url: <https://www.amazon.com/dp/B08G9H6PZQ> (Year: 2020).*

* cited by examiner

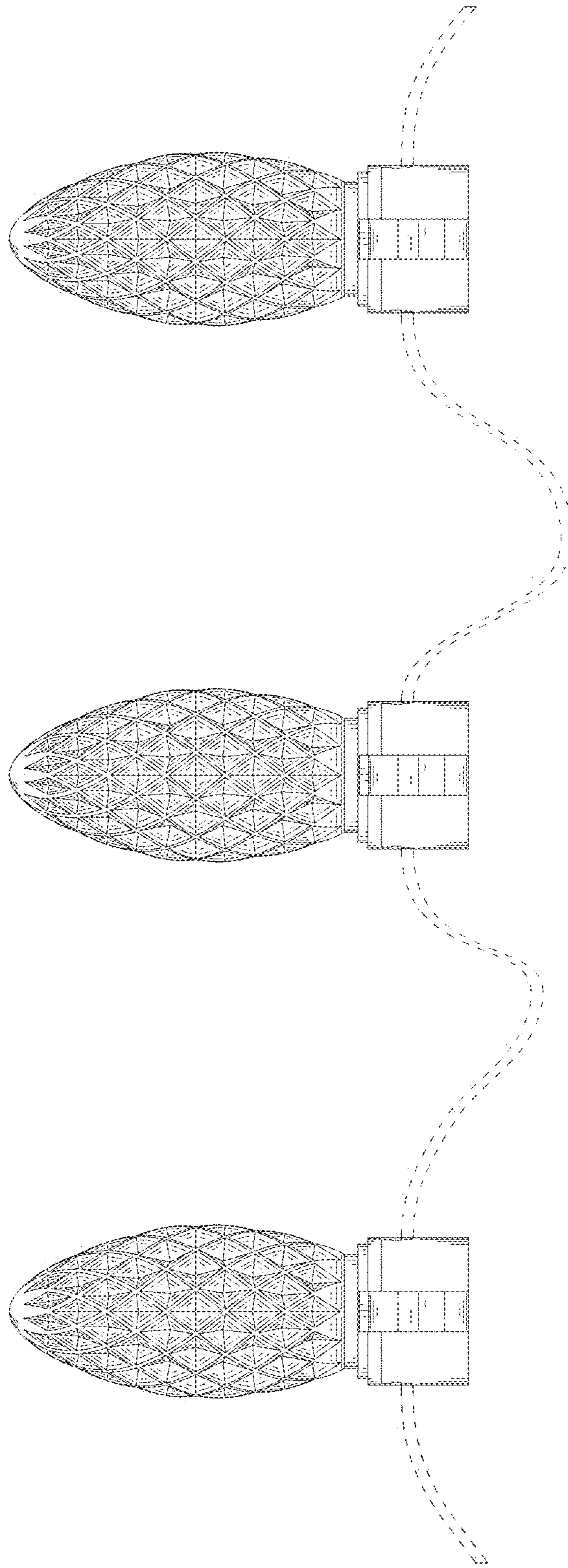


FIG. 1

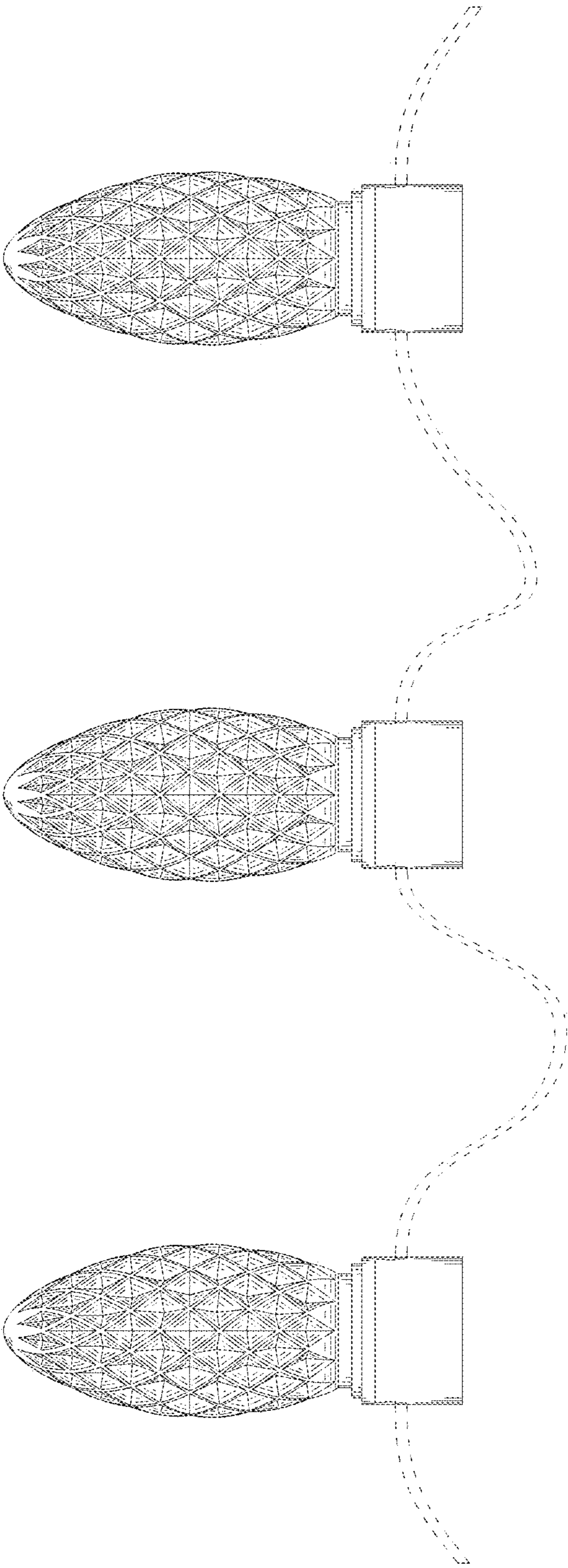


FIG. 2

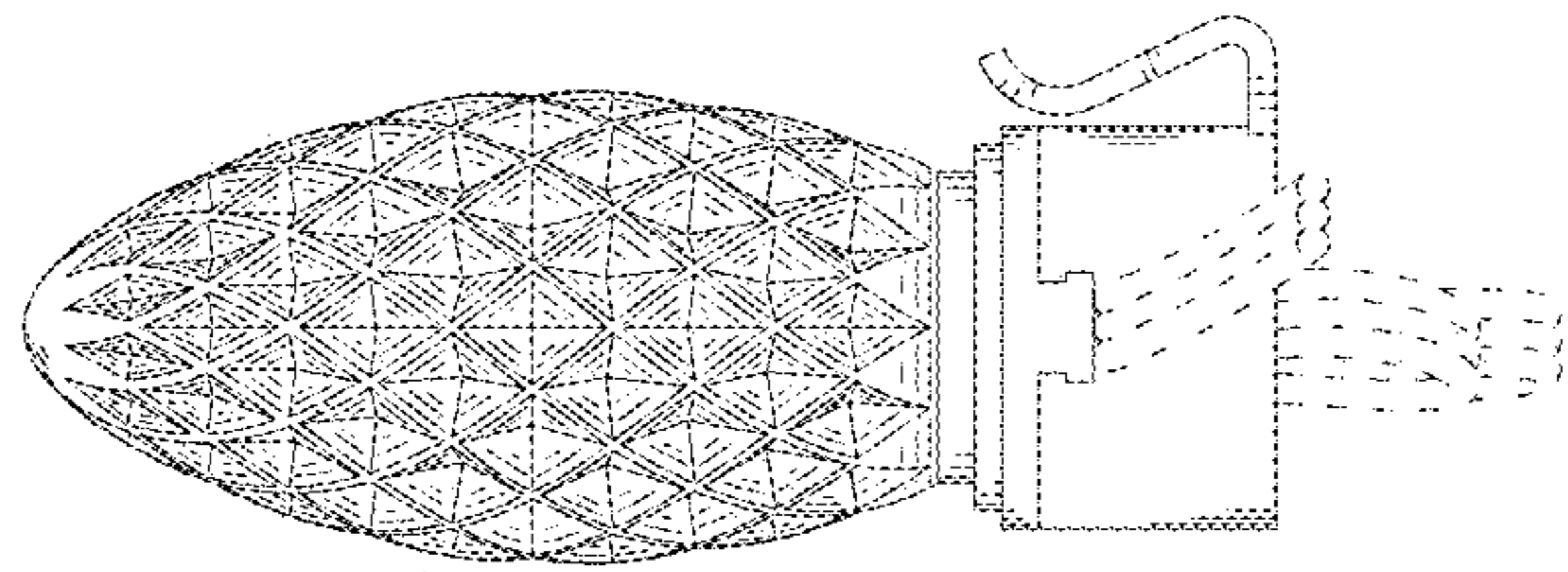


FIG. 3

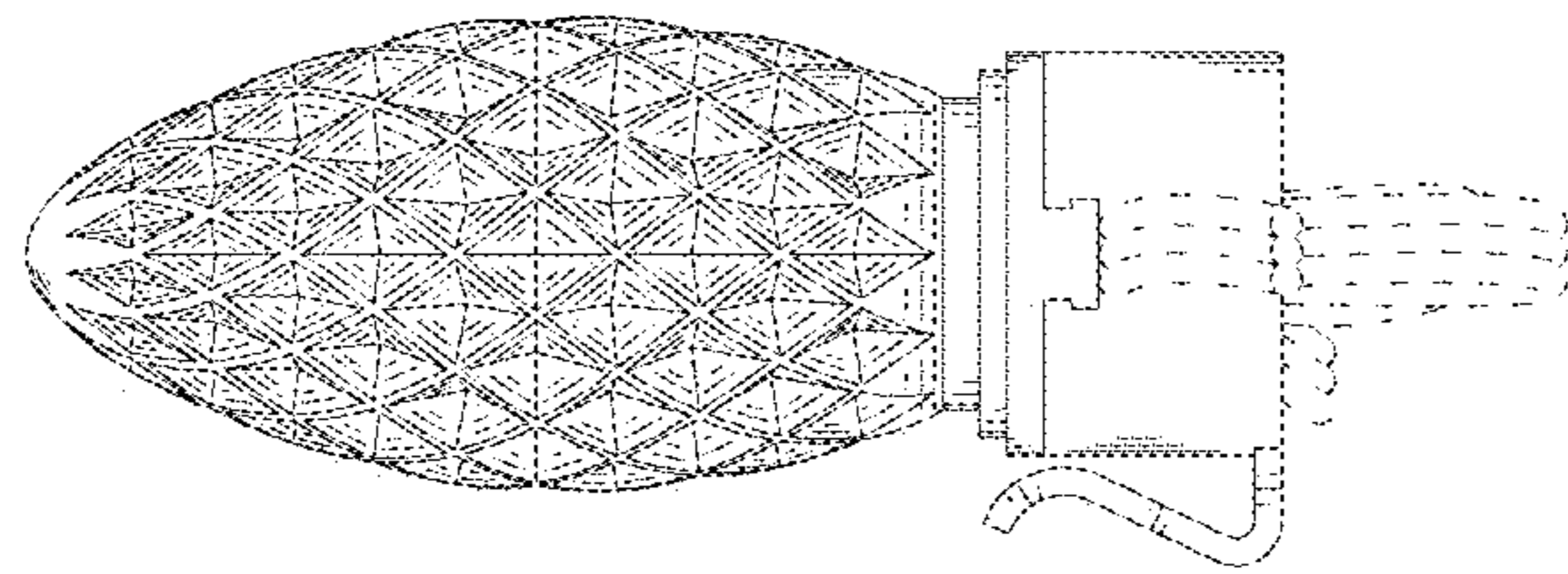


FIG. 4

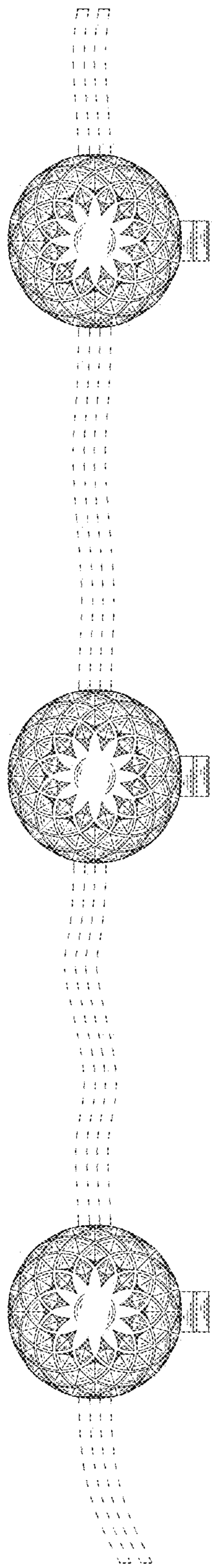


FIG. 5

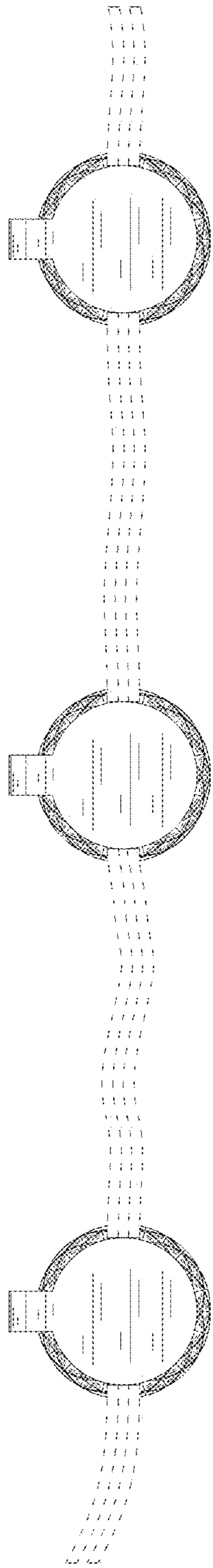


FIG. 6

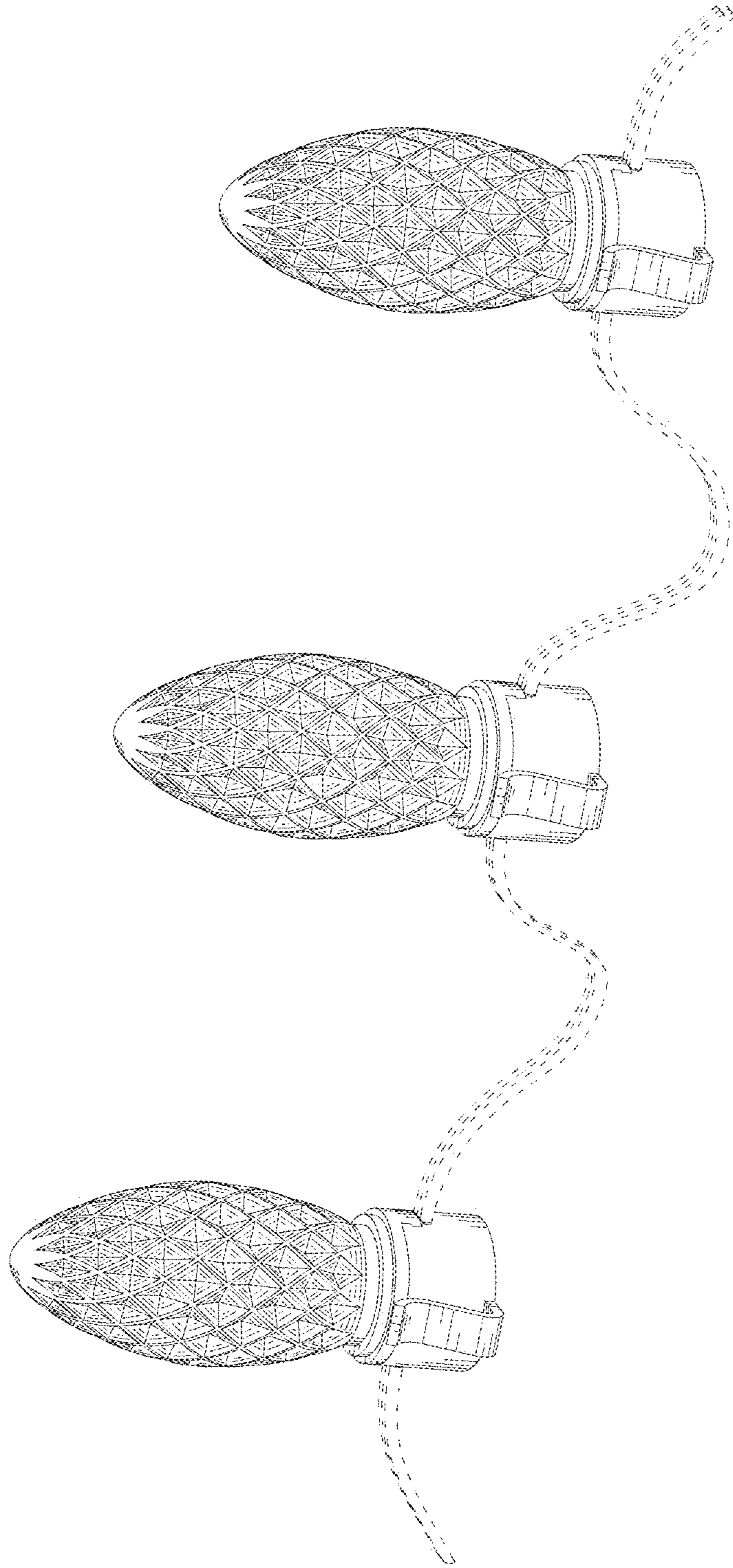


FIG. 7

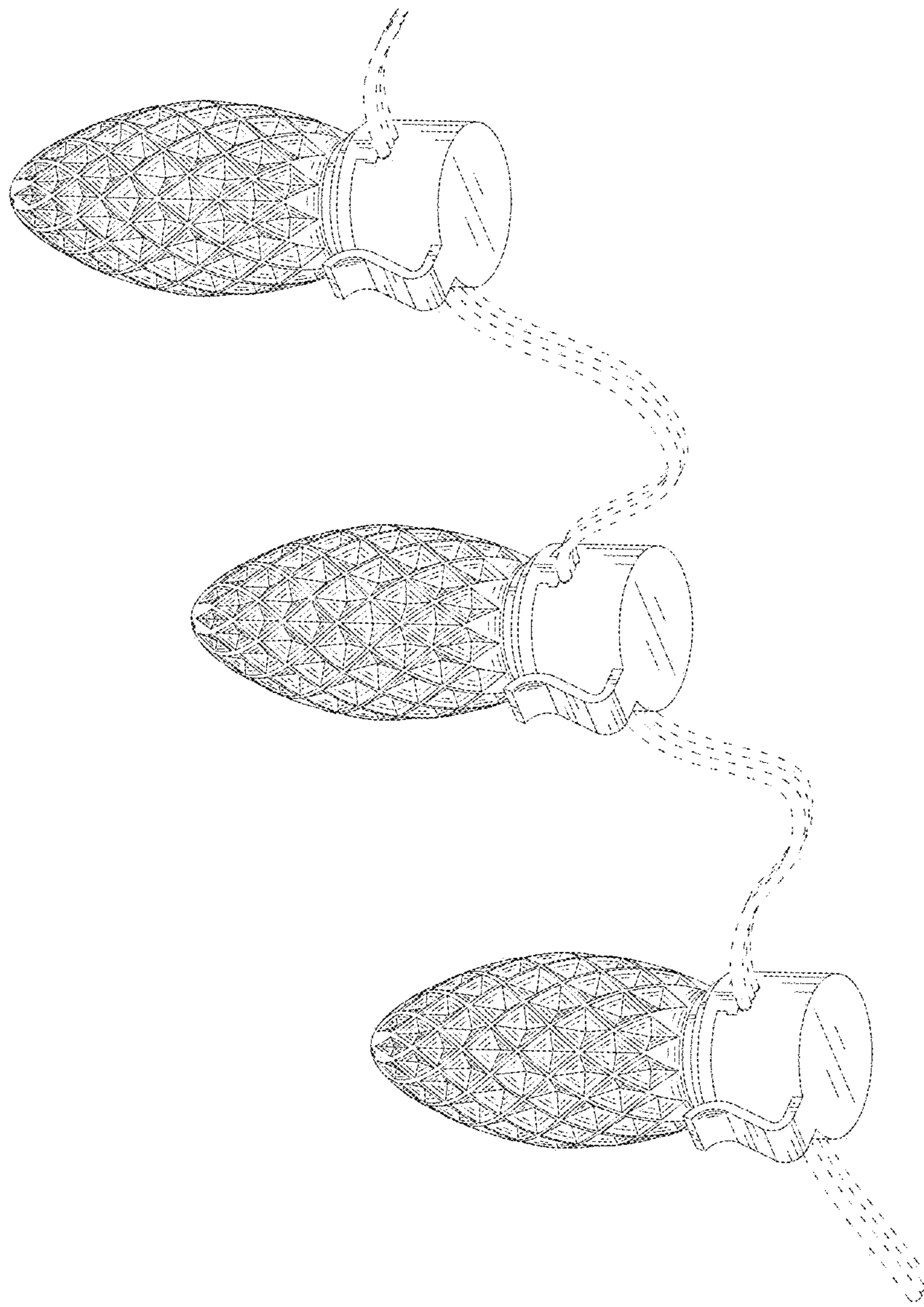


FIG. 8