



US00D951494S

(12) **United States Design Patent**  
**Liu**

(10) **Patent No.:** **US D951,494 S**  
(45) **Date of Patent:** **\*\* May 10, 2022**

(54) **MARQUEE LIGHT**

(71) Applicant: **Guiying Liu**, Hunan (CN)

(72) Inventor: **Guiying Liu**, Hunan (CN)

(\*\*) Term: **15 Years**

(21) Appl. No.: **29/779,233**

(22) Filed: **Apr. 17, 2021**

(51) **LOC (13) Cl.** ..... **26-04**

(52) **U.S. Cl.**  
USPC ..... **D26/25; D26/24**

(58) **Field of Classification Search**  
USPC ... D26/24, 25, 67, 69, 72, 80, 86, 102, 138;  
D20/10  
CPC ..... F21S 2/00; F21S 4/00; F21S 4/10; F21S  
4/20; F21S 8/00; F21S 8/03; F21S 8/033;  
F21W 2131/405; F21W 2131/406; G09F  
13/00; G09F 13/28  
See application file for complete search history.

(56) **References Cited**

**U.S. PATENT DOCUMENTS**

- 1,216,696 A \* 2/1917 John ..... G03B 15/03  
362/18
- 1,914,161 A \* 6/1933 Pistocco ..... G09F 13/00  
40/550
- 2,116,162 A \* 5/1938 Smally ..... G09F 13/28  
362/306
- RE25,402 E \* 6/1963 Myersburg ..... F21V 33/00  
362/141
- 3,737,646 A \* 6/1973 Burrows ..... F21V 33/00  
362/249.14
- 4,385,346 A \* 5/1983 Spicer ..... F21S 4/20  
362/147
- 5,404,279 A \* 4/1995 Wood ..... F21V 17/007  
439/210
- 5,788,362 A \* 8/1998 Chou ..... F21S 4/10  
362/249.14

- D437,949 S \* 2/2001 Chang ..... F21S 4/20  
D26/25
- 6,183,109 B1 \* 2/2001 Nelson ..... F21V 9/32  
40/616
- 6,217,192 B1 \* 4/2001 Stratton ..... F21V 19/0005  
362/396
- 6,318,877 B1 \* 11/2001 Dehn ..... F21S 6/003  
362/136
- 6,318,884 B1 \* 11/2001 Hibbard ..... F21V 21/08  
362/391
- D469,561 S \* 1/2003 Thompson ..... D26/82
- D499,147 S \* 11/2004 Schneider ..... D20/10
- D613,885 S \* 4/2010 Lodhie ..... D26/1
- D652,970 S \* 1/2012 Gianatsis ..... F21V 33/00  
D26/25
- D676,492 S 2/2013 Bengyak  
(Continued)

**OTHER PUBLICATIONS**

DIY Letter Lights by Sharrah Stevens—The Kinwoven Home, Sep. 17, 2014, YouTube, site visited Mar. 21, 2022, url: <https://www.youtube.com/watch?v=d7bdr7nlV4g> (Year: 2014).\*  
(Continued)

*Primary Examiner* — T Chase Nelson  
*Assistant Examiner* — Rachel Wolfe

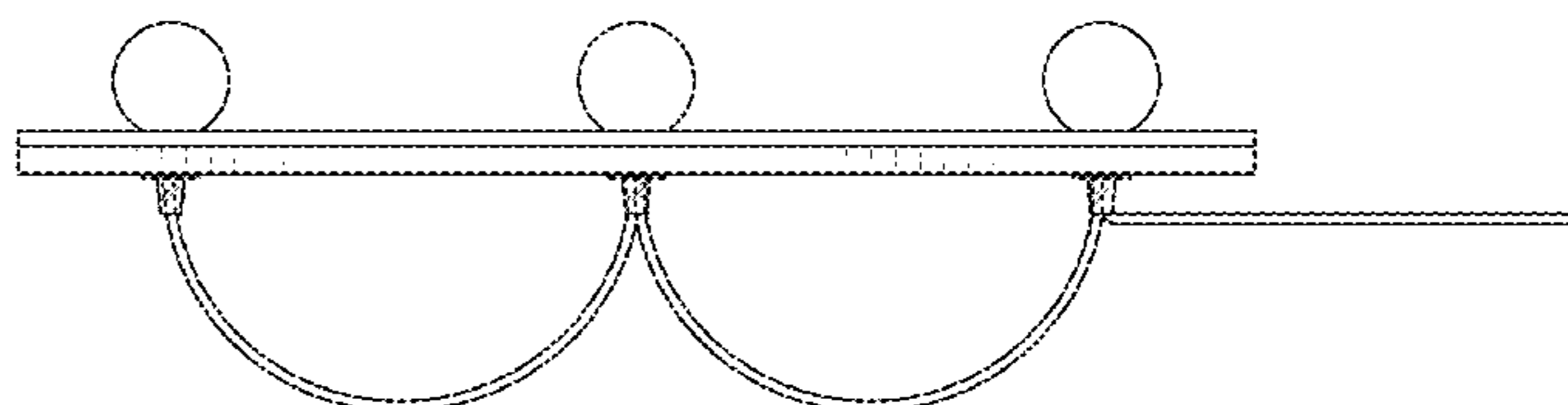
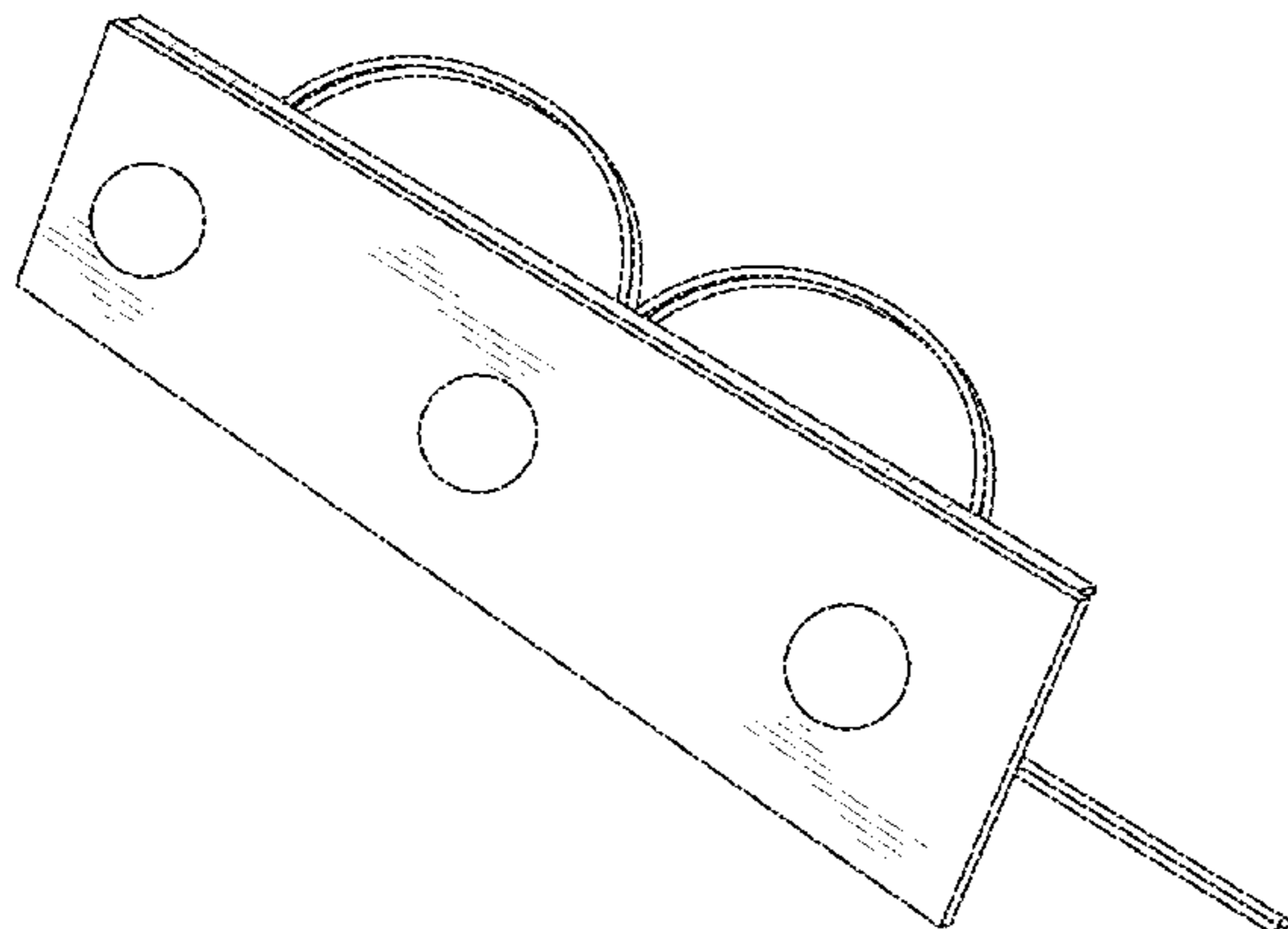
(57) **CLAIM**

The ornamental design for a marquee light, as shown and described.

**DESCRIPTION**

FIG. 1 is a perspective view of a marquee light showing my new design;  
FIG. 2 is a front elevational view thereof;  
FIG. 3 is a rear elevational view thereof;  
FIG. 4 is a left side elevational view thereof;  
FIG. 5 is a right side elevational view thereof;  
FIG. 6 is a top plan view thereof; and,  
FIG. 7 is a bottom plan view thereof.

**1 Claim, 7 Drawing Sheets**



(56)

**References Cited**

U.S. PATENT DOCUMENTS

D700,242 S 2/2014 Bengyak  
D708,389 S 7/2014 Beuerle  
D774,233 S \* 12/2016 Weiser ..... F21V 33/00  
D26/125  
D783,876 S 4/2017 Weiser  
D869,012 S \* 12/2019 Zhu ..... G09F 13/00  
D26/25  
D869,013 S \* 12/2019 Zhu ..... G03B 15/03  
D26/25  
D929,749 S \* 9/2021 Choi ..... G09F 13/28  
D6/301  
D930,370 S \* 9/2021 Choi ..... G09F 13/00  
D6/308  
2005/0094390 A1\* 5/2005 Chou ..... G09F 13/00  
362/227

OTHER PUBLICATIONS

Pretmess Hollywood Style Vanity Mirror Lights Kit, Jan. 15, 2019, Amazon.com, site visited Mar. 21, 2022, url: <https://www.amazon.com/dp/B07MTFVWZ8> (Year: 2018).\*

World-Deco LED Cinema Light Box with Marquee Lamp, Dec. 10, 2019, Amazon.co.uk, site visited Mar. 21, 2022, url: <https://www.amazon.co.uk/dp/B0816L5KXV/> (Year: 2019).\*

\* cited by examiner

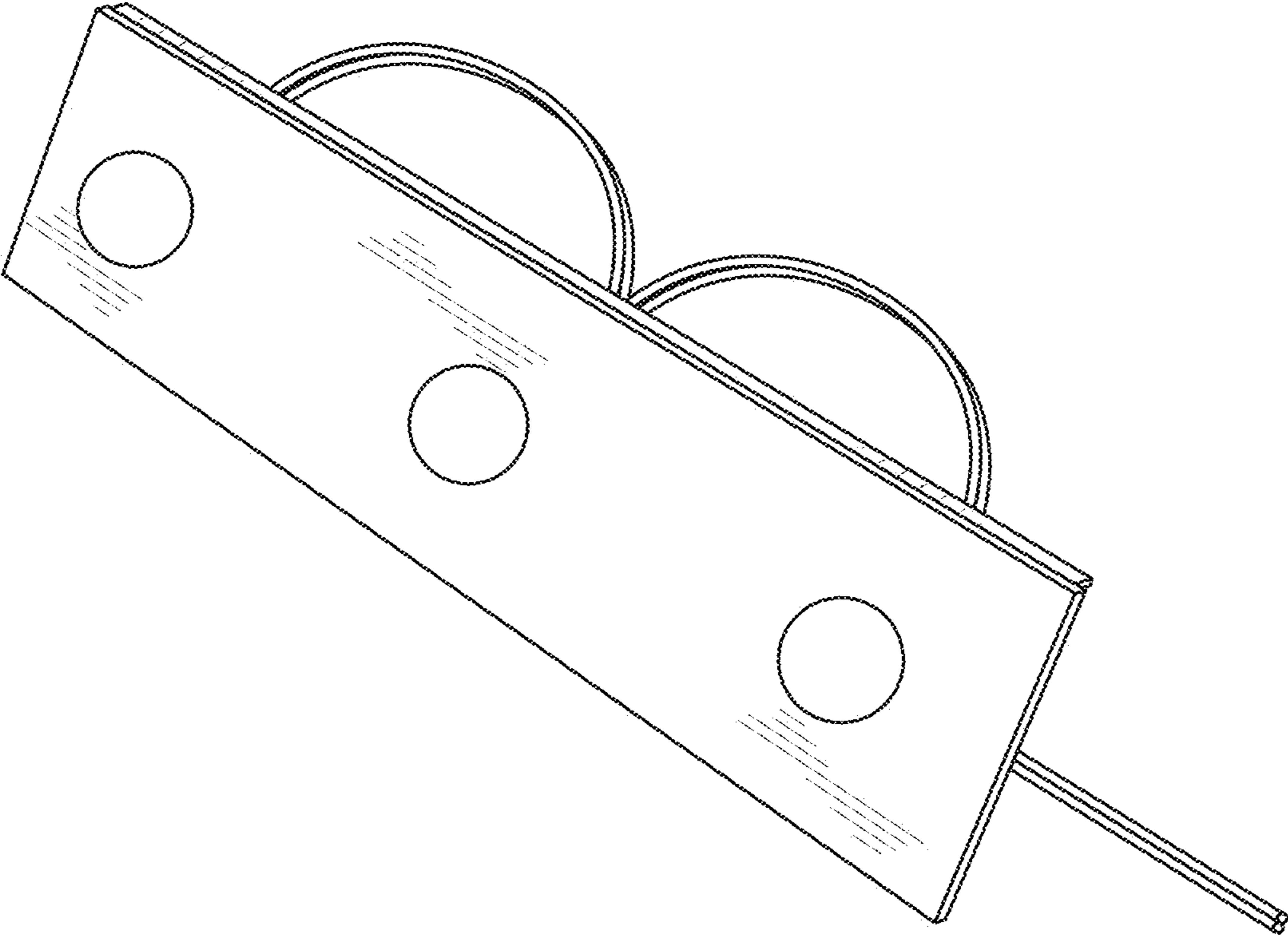


FIG.1

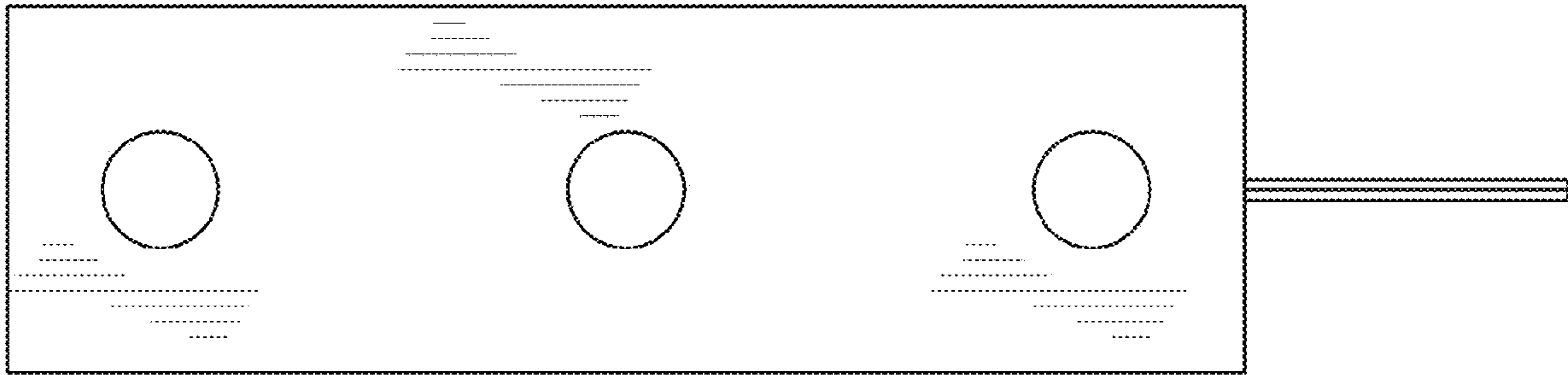


FIG.2

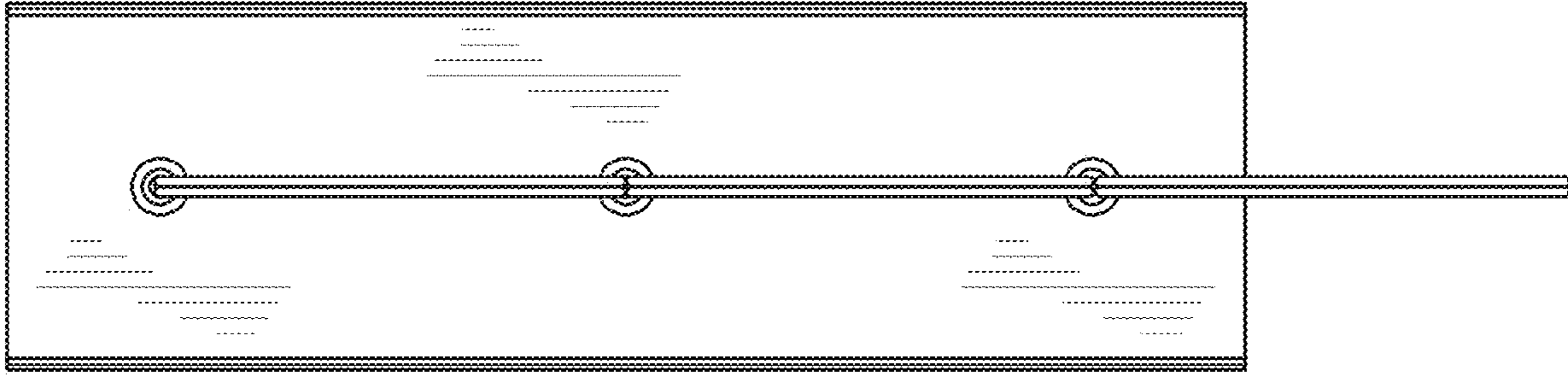


FIG.3

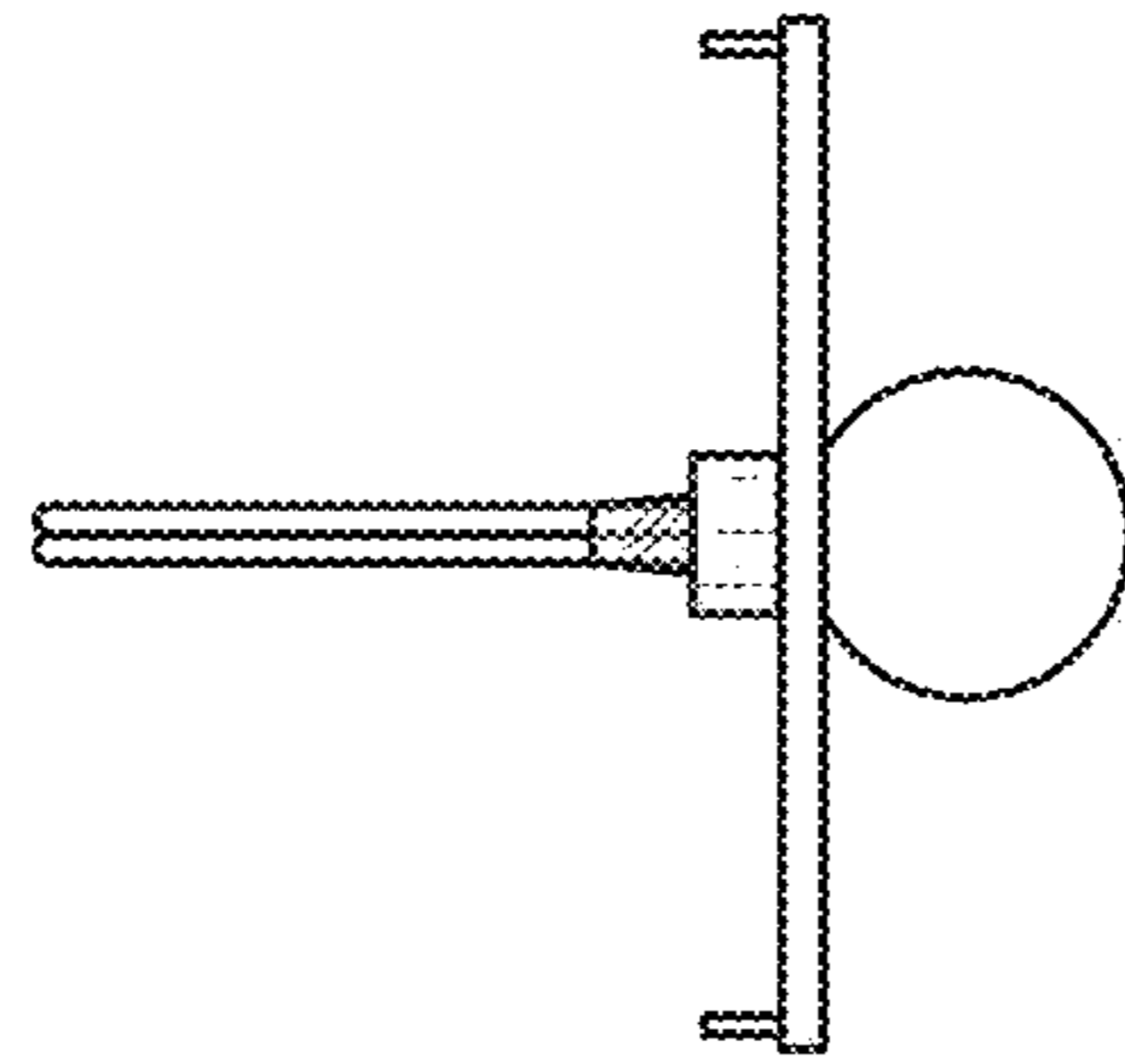


FIG.4

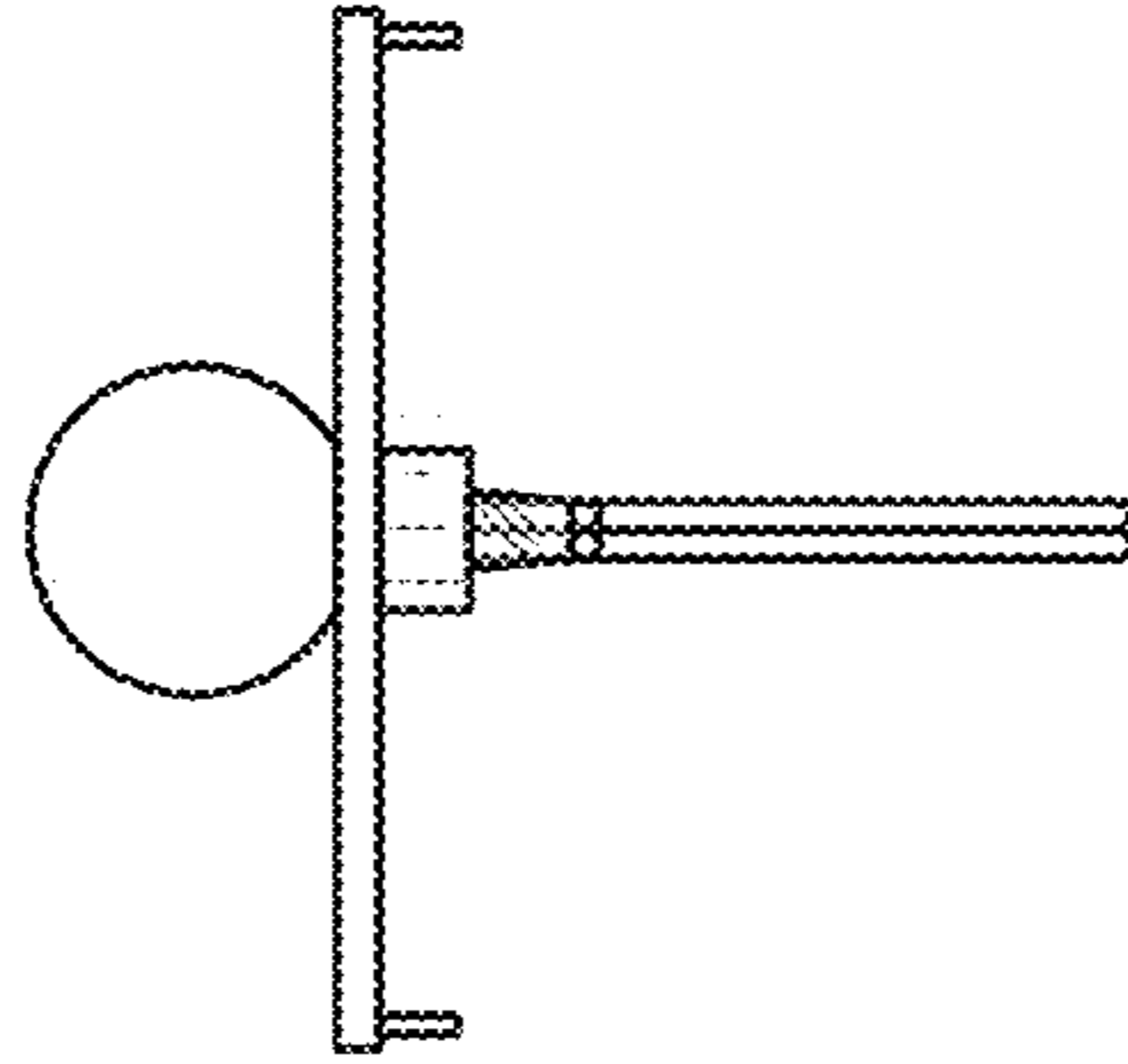


FIG.5

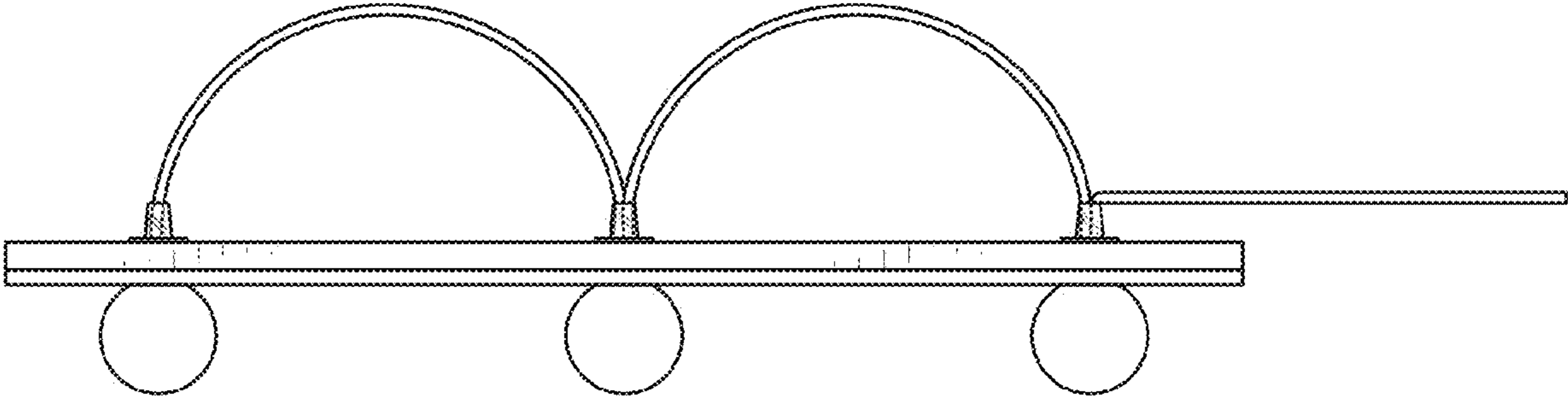


FIG.6



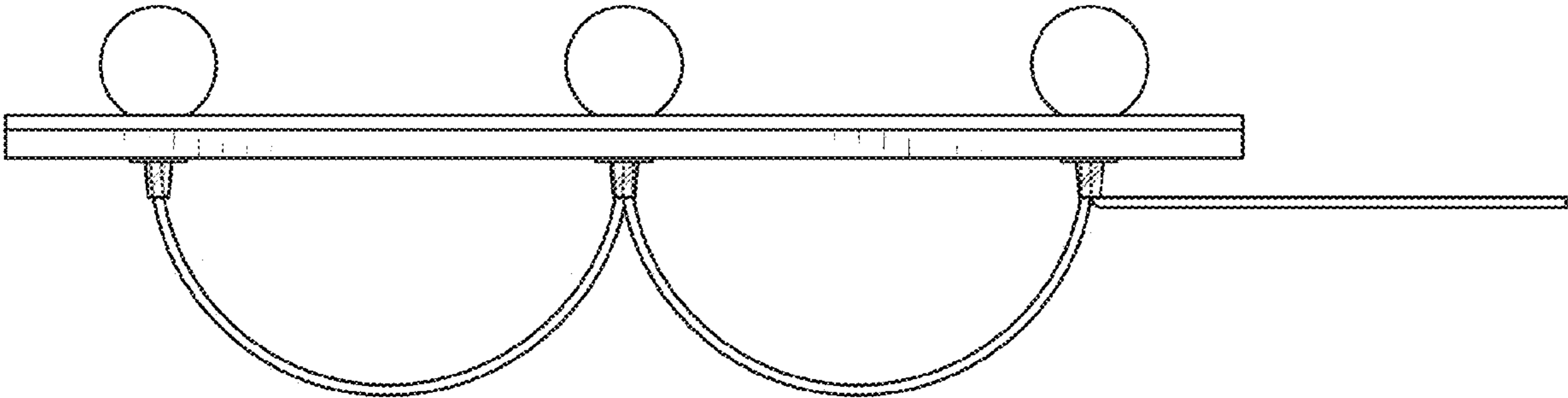


FIG.7