



US00D951491S

(12) **United States Design Patent**
Lazzarini et al.

(10) **Patent No.:** **US D951,491 S**

(45) **Date of Patent:** **** May 10, 2022**

(54) **WIRE GRATING STRUCTURE**

(71) Applicant: **Aqseptence Group Pty Ltd.**, Geebung (AU)

(72) Inventors: **David John Lazzarini**, Geebung (AU); **Yusuf Cajee**, Geebung (AU)

(73) Assignee: **Aqseptence Group Pty Ltd.**, Geebung (AU)

(**) Term: **15 Years**

(21) Appl. No.: **29/782,138**

(22) Filed: **May 4, 2021**

Related U.S. Application Data

(62) Division of application No. 29/672,730, filed on Dec. 7, 2018, now Pat. No. Des. 921,935, which is a division of application No. 29/562,539, filed on Apr. 26, 2016, now Pat. No. Des. 846,161.

(30) **Foreign Application Priority Data**

Oct. 26, 2015	(AU)	201515688
Oct. 26, 2015	(AU)	201515689
Oct. 26, 2015	(AU)	201515690
Oct. 26, 2015	(AU)	201515691
Oct. 26, 2015	(AU)	201515692
Oct. 26, 2015	(AU)	201515693
Oct. 26, 2015	(AU)	201515694
Oct. 26, 2015	(AU)	201515695
Oct. 26, 2015	(AU)	201515696

(51) **LOC (13) Cl.** **25-01**

(52) **U.S. Cl.**
USPC **D25/156**

(58) **Field of Classification Search**

USPC D25/138, 142, 144, 152, 153, 156, 157, D25/158, 159, 160, 161, 162, 163; D30/114, 120; D23/206, 209, 260, 261, D23/268, 365; 210/806

CPC B01D 24/06; B01D 29/0038; B01D 2029/033; B01D 29/111; B01D 39/10; B01D 29/012; B01D 29/48; E21B 43/088
See application file for complete search history.

(56) **References Cited**

U.S. PATENT DOCUMENTS

1,180,953 A	4/1916	Steckenreiter
2,046,458 A	7/1936	Johnson
2,101,537 A	12/1937	Every
2,288,883 A	7/1942	Bixby
2,341,783 A	2/1944	Jens

(Continued)

Primary Examiner — Kimberly Barnes

(74) *Attorney, Agent, or Firm* — Banner & Witcoff, Ltd.

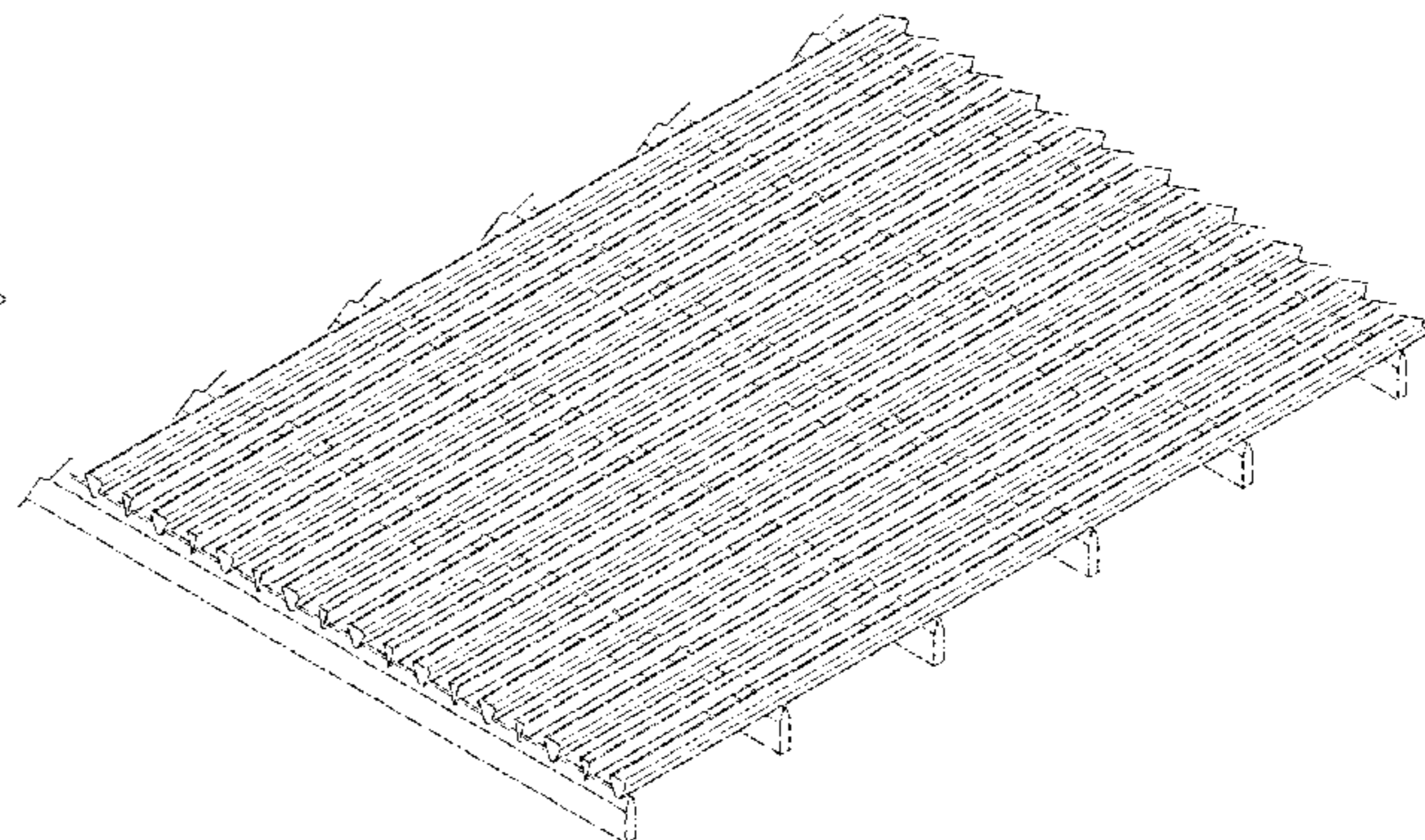
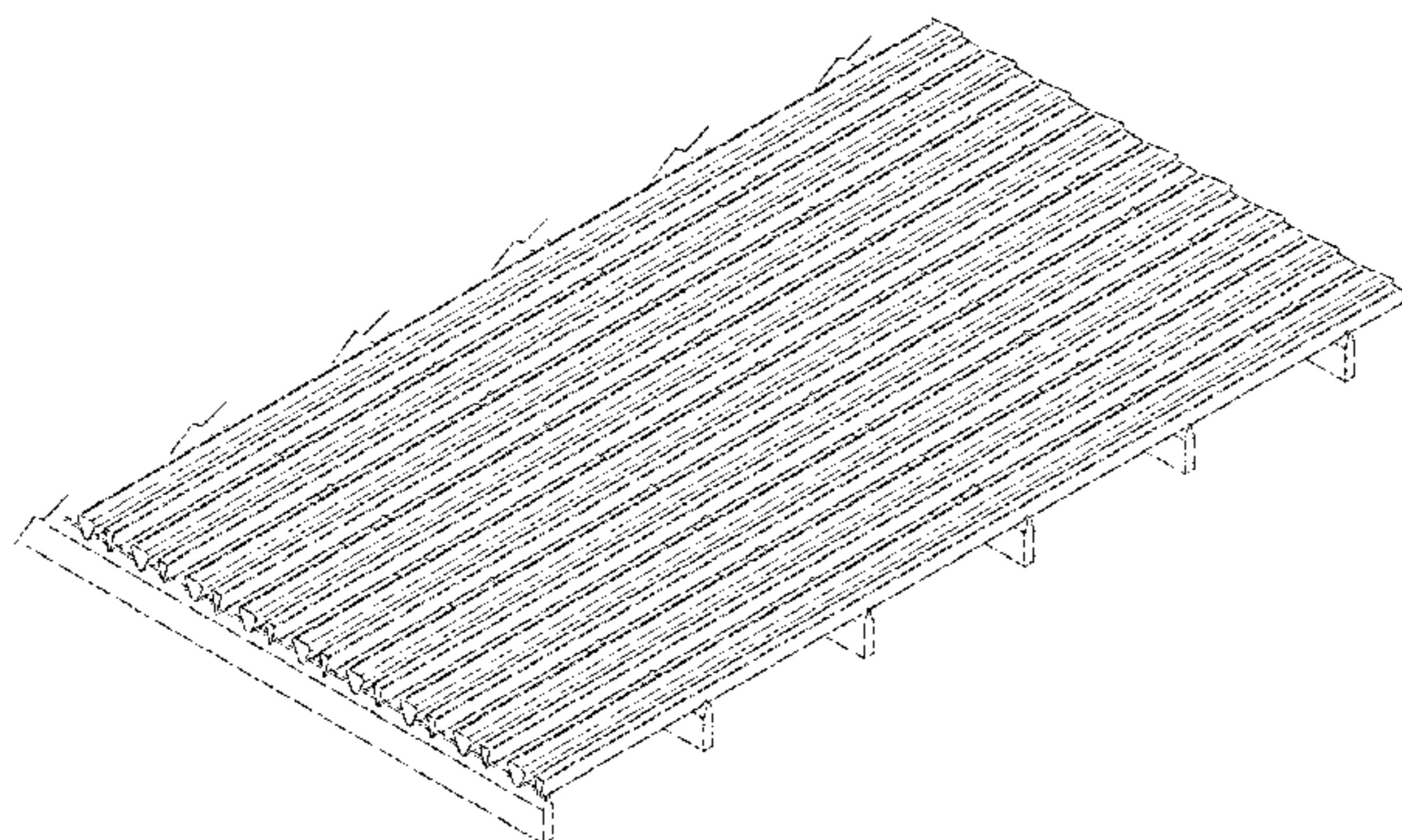
(57) **CLAIM**

The ornamental design for a wire grating structure, as shown and described.

DESCRIPTION

FIG. 1 is a perspective view of a wire grating structure showing our new design;
FIG. 2 is a top plan view thereof;
FIG. 3 is a front elevation view thereof, the rear elevation view being a mirror image thereof;
FIG. 4 is a right side elevation view thereof, the left side elevation view being a mirror image thereof;
FIG. 5 is a perspective view of a wire grating structure in a second embodiment;
FIG. 6 is a top plan view thereof;
FIG. 7 is a front elevation view thereof, the rear elevation view being a mirror image thereof; and,
FIG. 8 is a right side elevation view thereof, the left side elevation view being a mirror image thereof.
The broken lines depicting the remainder of the wire grating structure show features that form no part of the claimed design.

1 Claim, 2 Drawing Sheets



US D951,491 S

(56)

References Cited

U.S. PATENT DOCUMENTS

3,037,630 A 6/1962 Bixby
 3,134,733 A * 5/1964 Rose B07B 1/12
 209/393
 3,362,125 A 1/1968 Daly
 3,716,144 A 2/1973 Bartlow
 3,859,713 A * 1/1975 Fiedler B01D 35/28
 29/423
 3,901,801 A 8/1975 Bixby
 4,096,911 A 6/1978 Geske
 4,276,265 A 6/1981 Gillespie
 4,283,278 A 8/1981 Savage et al.
 4,374,094 A * 2/1983 Farnham B01J 8/008
 208/146
 4,375,408 A 3/1983 Anderson
 4,399,042 A 8/1983 Stannard et al.
 D282,105 S 1/1986 Moreau
 4,843,700 A 7/1989 Arai
 4,880,604 A * 11/1989 Kovcs B01J 8/125
 422/220
 4,976,221 A 12/1990 Yetter
 5,047,148 A 9/1991 Arai
 5,064,536 A 11/1991 Bratten
 D322,907 S 1/1992 Raburn
 D349,774 S 8/1994 Kongsgaard
 5,476,588 A 12/1995 Nagaoka
 D374,727 S 10/1996 Emanuele et al.
 D374,728 S 10/1996 Bielert
 5,705,069 A 1/1998 Nagaoka
 5,785,122 A 7/1998 Spray
 5,899,031 A 5/1999 Nagaoka et al.
 6,070,739 A 6/2000 Nagaoka
 6,089,316 A 7/2000 Spray
 D433,165 S 10/2000 Moreau et al.

6,698,595 B2 3/2004 Norell et al.
 7,188,733 B2 * 3/2007 May B01D 29/111
 210/490
 7,303,078 B2 * 12/2007 Ekholm B07B 1/12
 209/393
 7,425,264 B2 * 9/2008 Reig B04B 7/18
 210/232
 D623,773 S 9/2010 Ryan
 D628,674 S 12/2010 Dittmann et al.
 D636,099 S 4/2011 Curtin et al.
 8,028,691 B2 * 10/2011 Maxson E06B 7/082
 126/702
 D655,804 S 3/2012 Platt
 D657,858 S 4/2012 Platt
 8,602,096 B2 12/2013 Olenick et al.
 8,857,325 B2 10/2014 Brown
 D737,472 S 8/2015 Bucarizza
 D755,410 S 5/2016 Geldart
 9,560,950 B2 * 2/2017 Kawai D04H 1/558
 9,750,364 B2 * 9/2017 Lawson A47G 27/0418
 D805,219 S 12/2017 Shen
 D843,016 S 3/2019 Power
 D846,161 S 4/2019 Lazzarini et al.
 D849,271 S 5/2019 Power
 10,695,800 B2 6/2020 Lazzarini et al.
 10,913,015 B2 * 2/2021 Ekholm B01D 33/11
 10,914,141 B2 * 2/2021 Koli E21B 43/088
 D921,935 S * 6/2021 Lazzarini D25/156
 2005/0086905 A1 4/2005 Ralph et al.
 2008/0073298 A1 3/2008 Smith et al.
 2010/0219121 A1 9/2010 Verstraete
 2014/0291237 A1 10/2014 Fulara et al.
 2018/0369868 A1 12/2018 Lazzarini et al.
 2020/0147646 A1 5/2020 Lazzarini et al.
 2020/0149239 A1 5/2020 Simonelli et al.

* cited by examiner

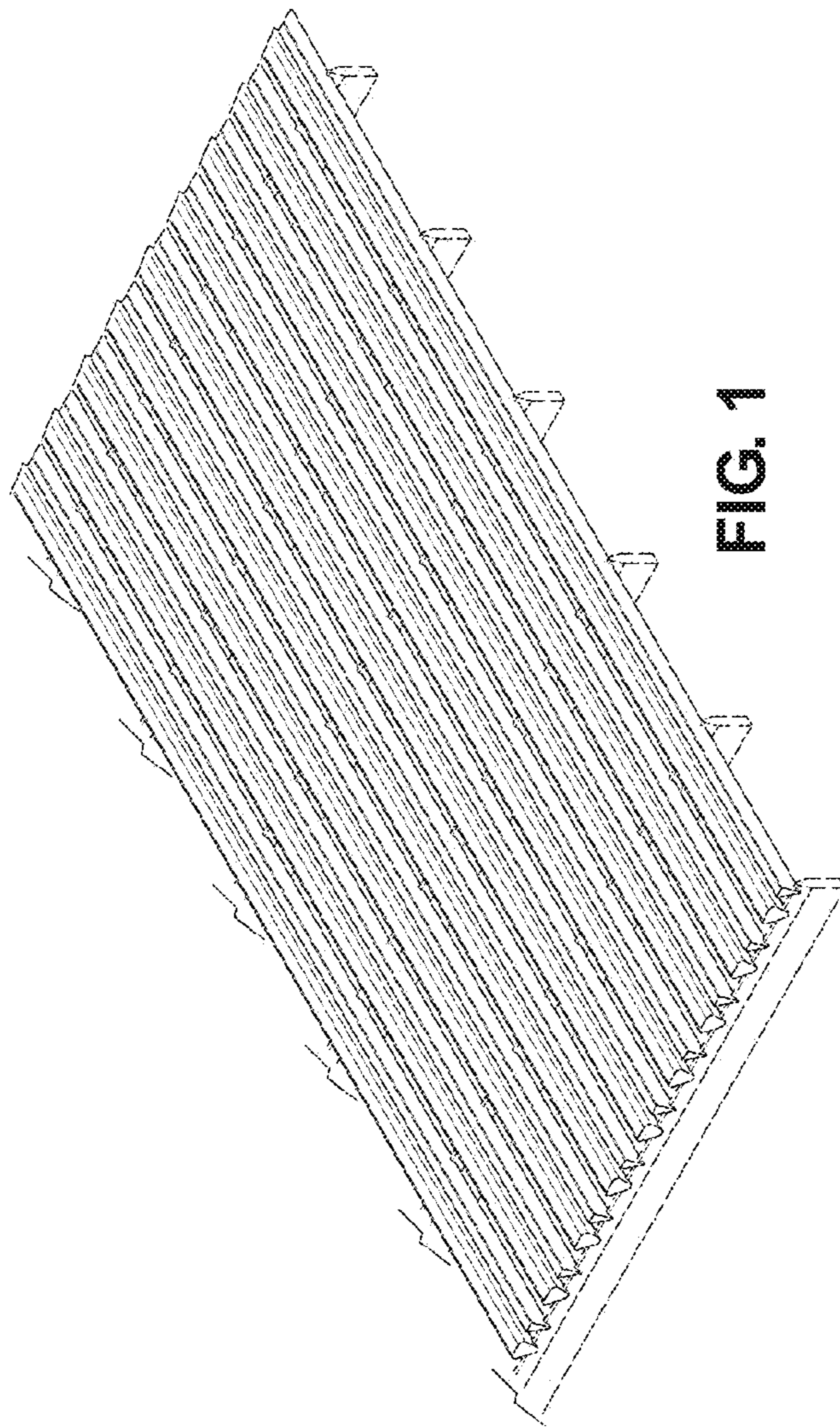


FIG. 1

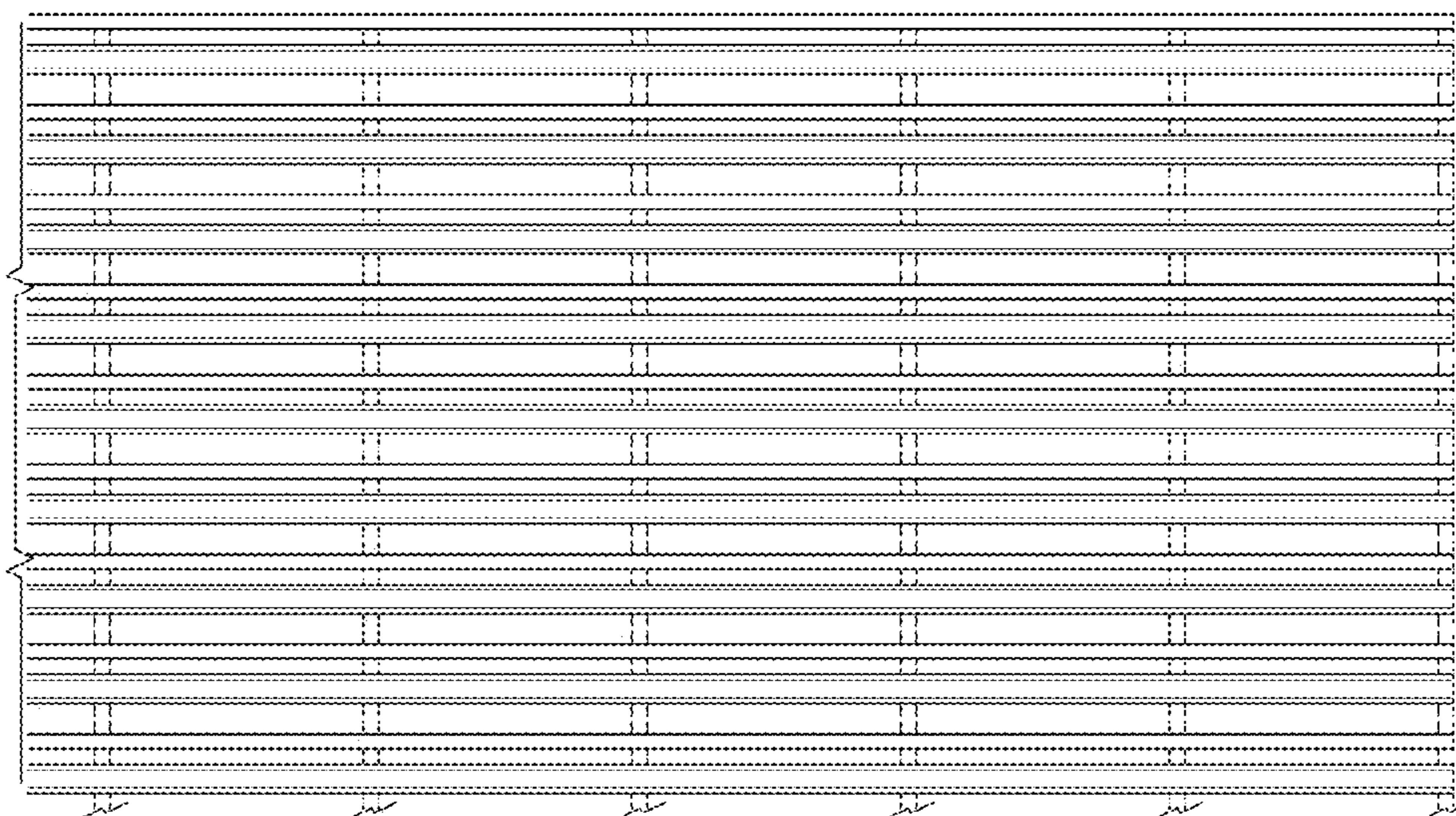


FIG. 2

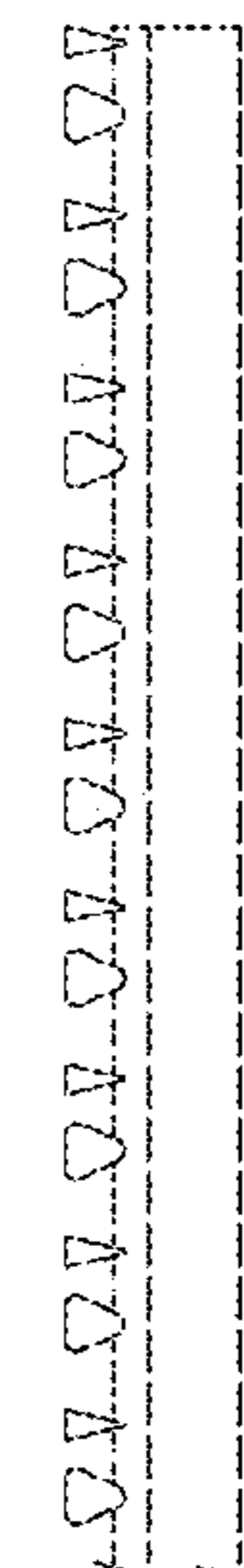


FIG. 3

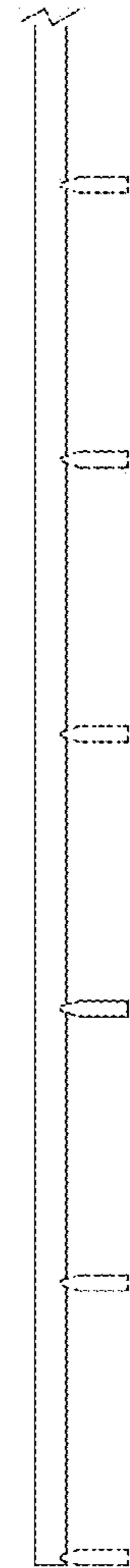


FIG. 4

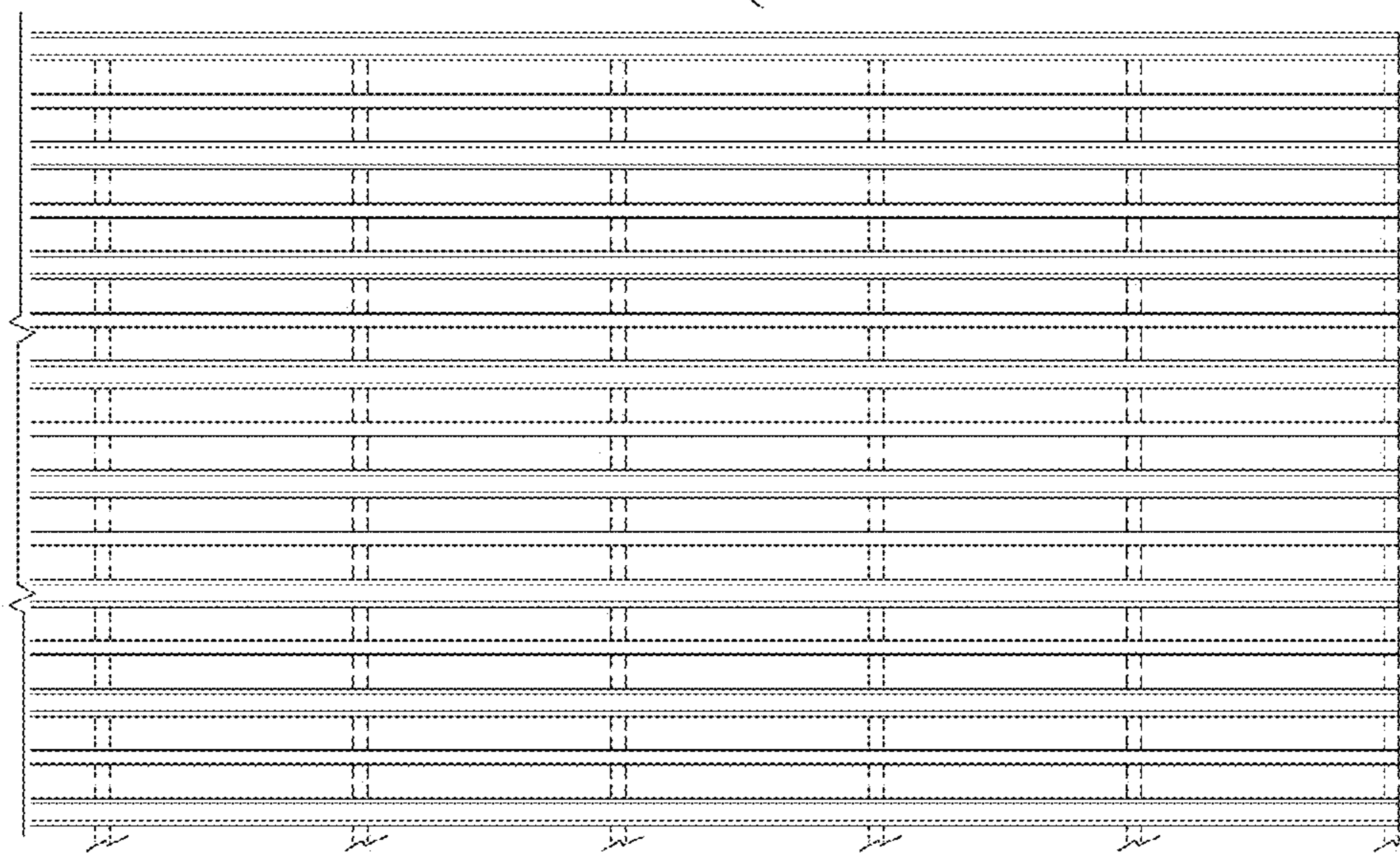


FIG. 6

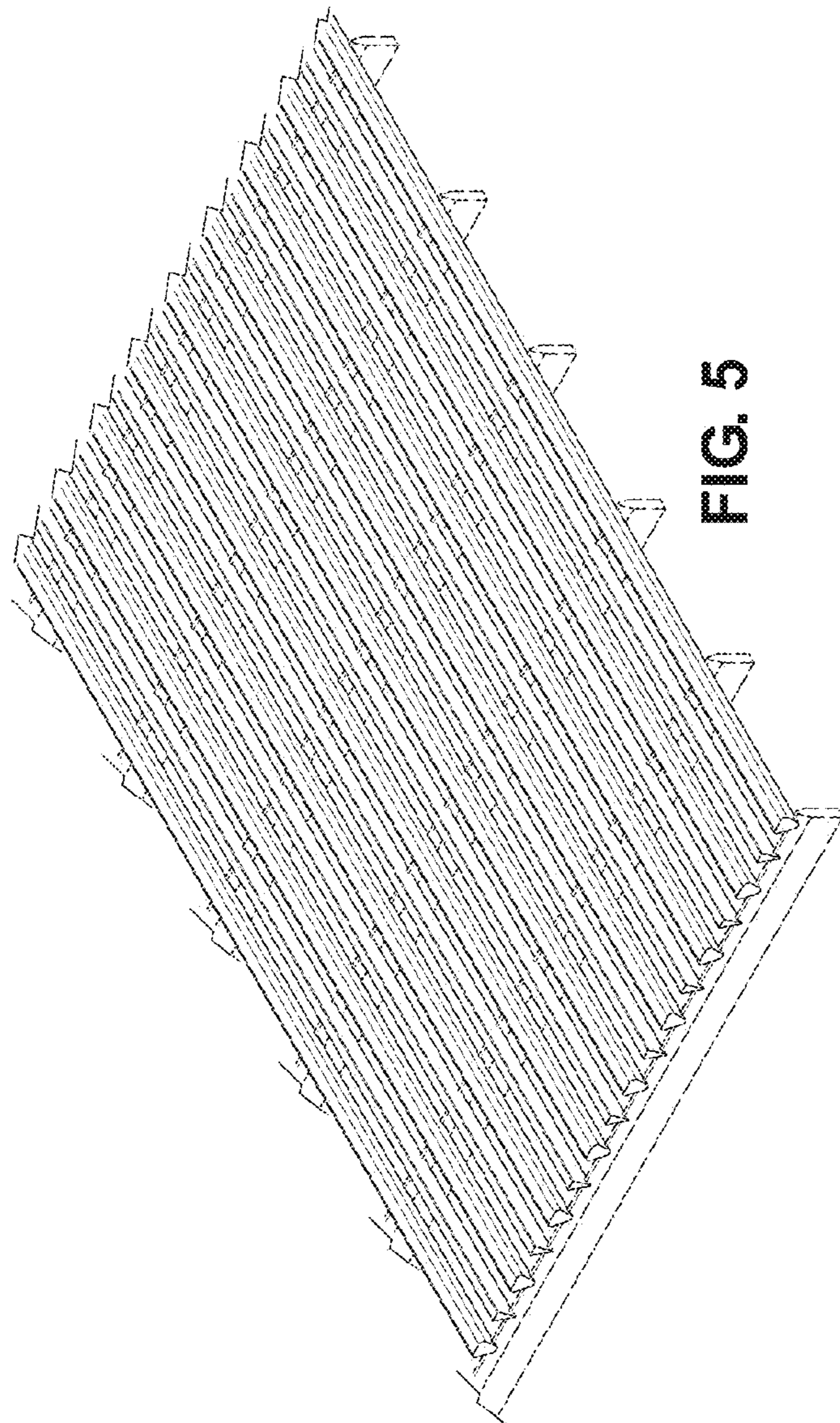


FIG. 5

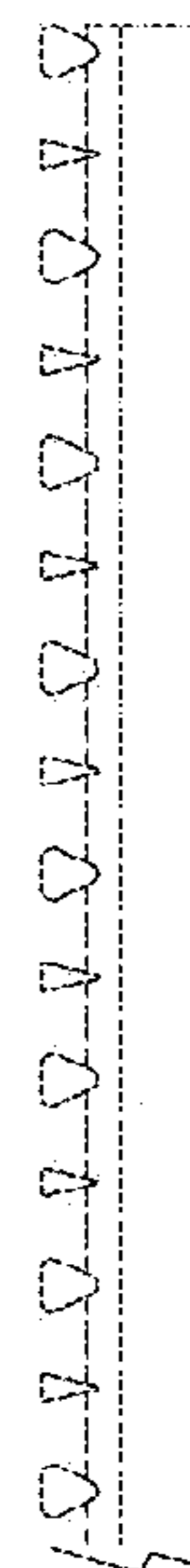


FIG. 7

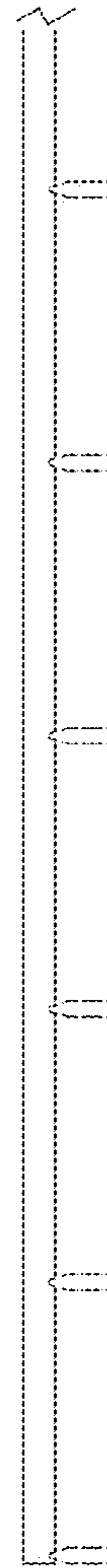


FIG. 8