



US00D951486S

(12) **United States Design Patent**
Reid

(10) **Patent No.:** **US D951,486 S**

(45) **Date of Patent:** **** May 10, 2022**

(54) **DECK EXTRUSION**

(71) Applicant: **Futura IP Limited**, Auckland (NZ)

(72) Inventor: **Glen Reid**, Auckland (NZ)

(73) Assignee: **FUTURA IP LIMITED**, Auckland (NZ)

(**) Term: **15 Years**

(21) Appl. No.: **29/737,490**

(22) Filed: **Jun. 9, 2020**

(30) **Foreign Application Priority Data**

Dec. 9, 2019 (NZ) 426862

(51) **LOC (13) Cl.** **25-01**

(52) **U.S. Cl.**
USPC **D25/125**

(58) **Field of Classification Search**
USPC D25/119-125
CPC B21C 23/00; E04C 2003/0417; E04C 2003/0439; E04C 2003/0452; E04C 2003/0465; E04C 2003/0473; E04C 3/00; E04C 3/04; E04C 3/28; E06B 1/00
See application file for complete search history.

(56) **References Cited**

U.S. PATENT DOCUMENTS

D422,718 S * 4/2000 Chaney D25/122
D423,117 S * 4/2000 Chaney D25/122

D429,347 S * 8/2000 Doyle D25/124
D459,818 S * 7/2002 Chaney D25/125
D485,373 S * 1/2004 Morton E04F 15/10
D25/125
D923,203 S * 6/2021 Muther D25/119

* cited by examiner

Primary Examiner — Gino Colan

(74) *Attorney, Agent, or Firm* — Patterson + Sheridan LLP

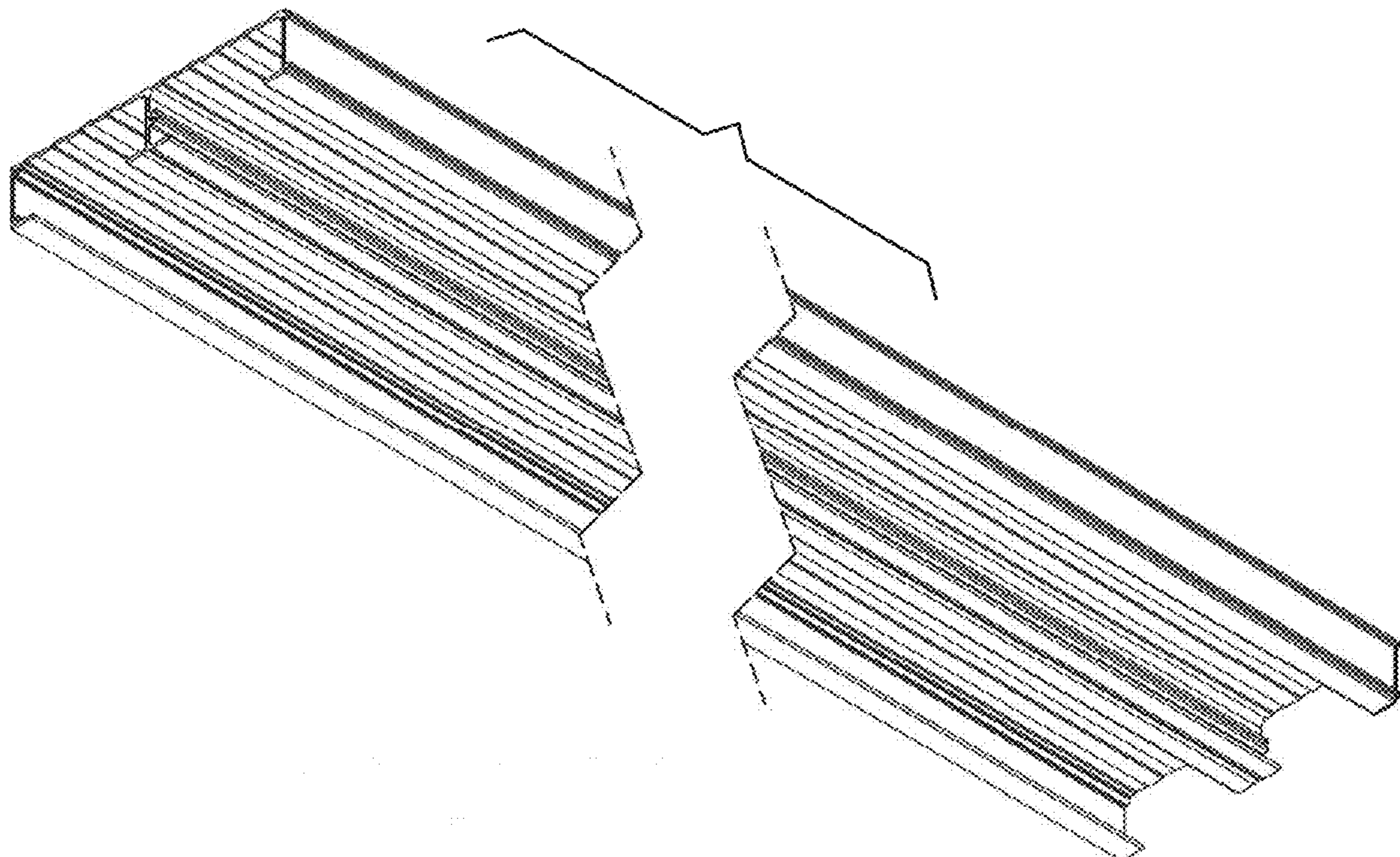
(57) **CLAIM**

The ornamental design for a deck extrusion, as shown and described.

DESCRIPTION

FIG. 1 is a bottom perspective view showing my new design for a deck extrusion,
FIG. 2 is a top perspective view,
FIG. 3 is a top view,
FIG. 4 is a side view, an opposite side view being a mirror image thereof,
FIG. 5 is a bottom view,
FIG. 6 is an end view, shown in a larger scale,
FIG. 7 is an opposite end view, shown in a larger scale; and,
FIG. 8 is an enlarged portion of an area encircled in FIG. 7.
The deck extrusion is shown with symbolic breaks in its length. The appearance of any portion of the article between the break lines form no part of the claimed design.

1 Claim, 5 Drawing Sheets



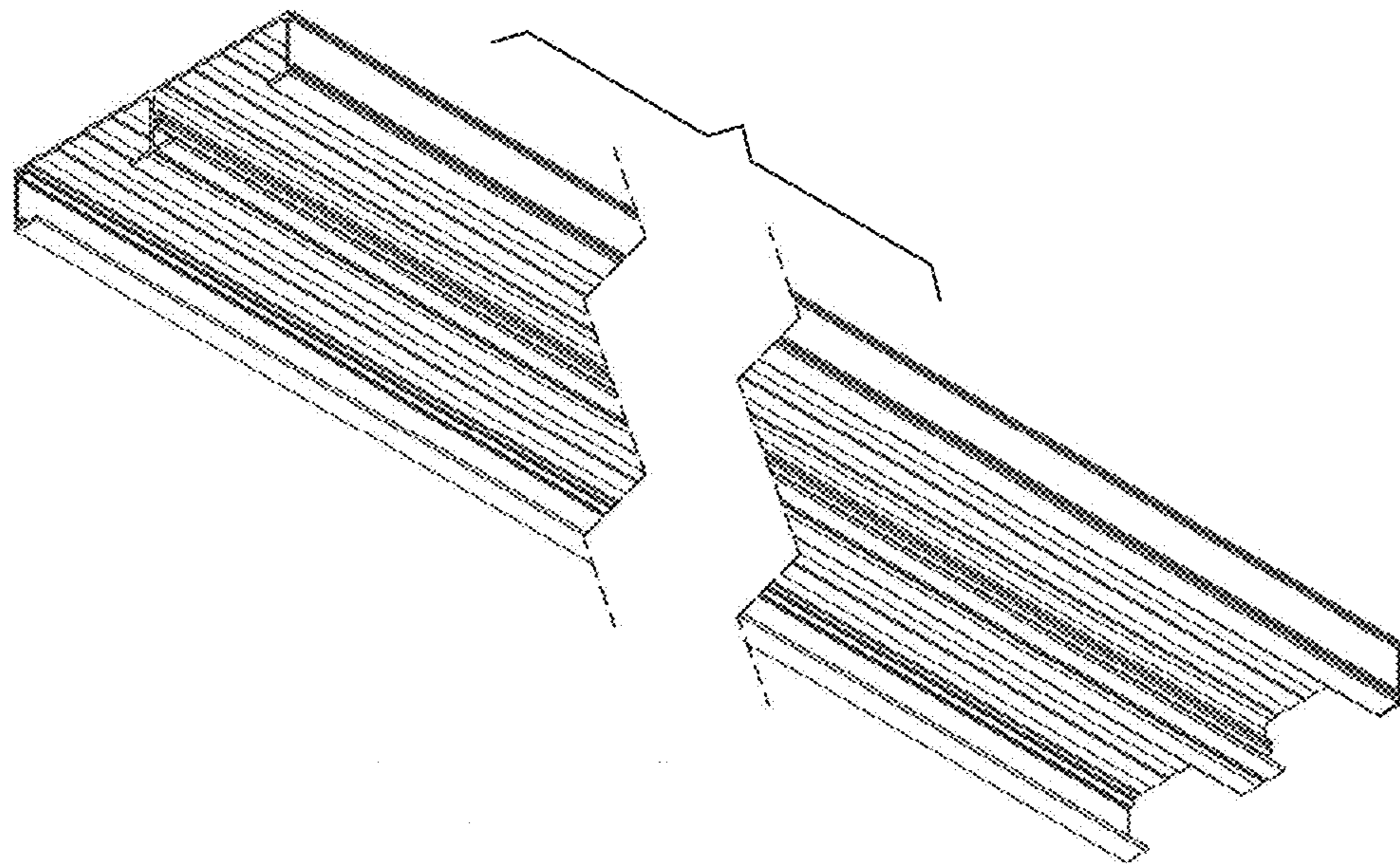


Fig. 1

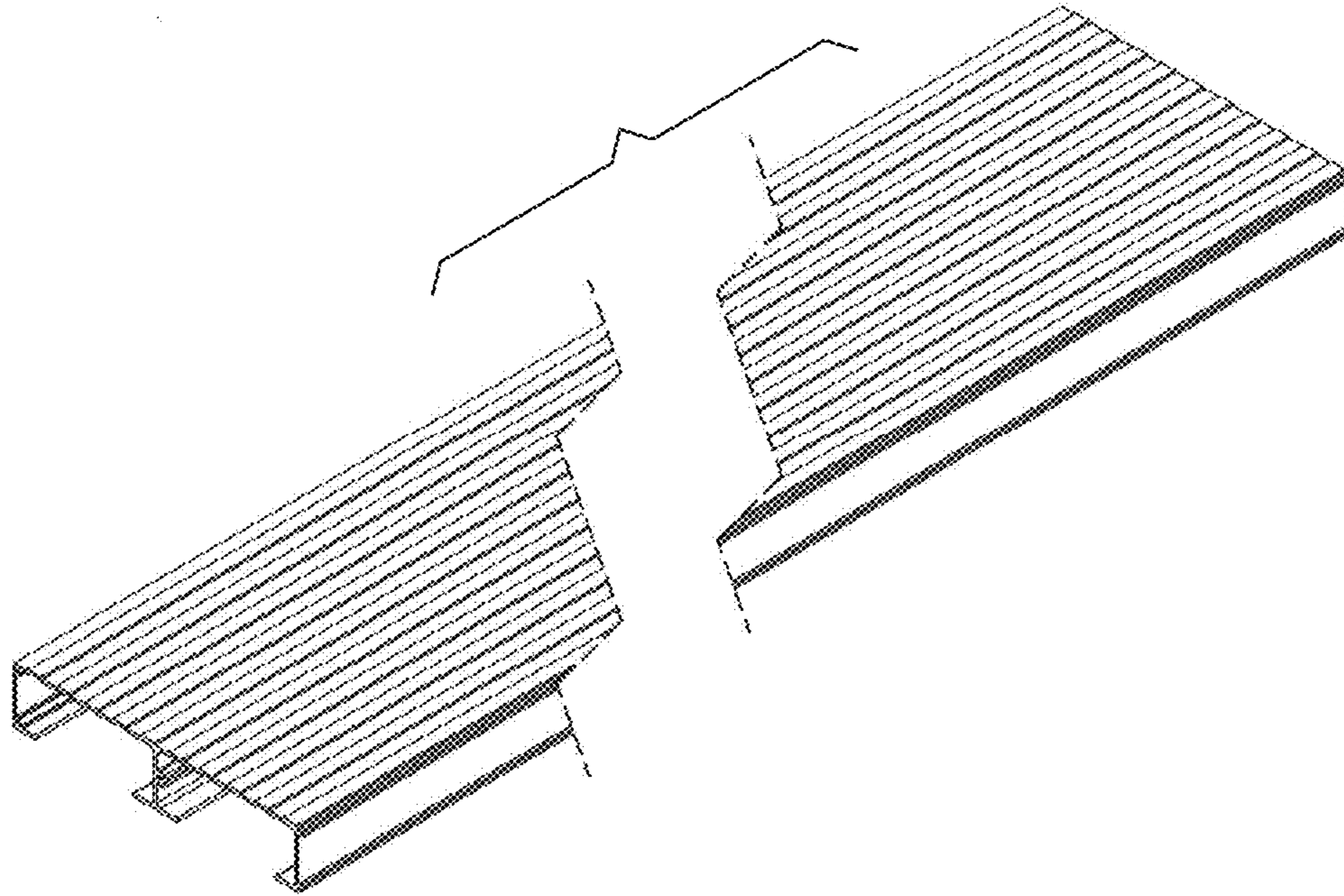


Fig. 2

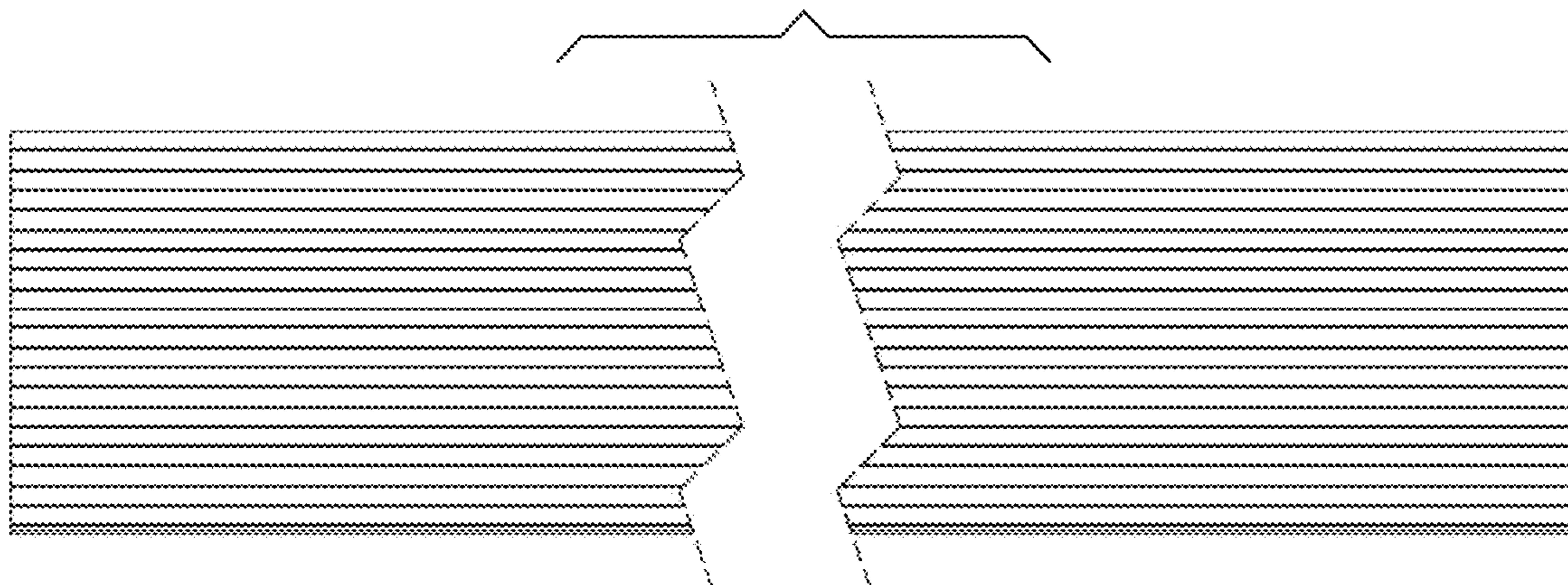


Fig. 3

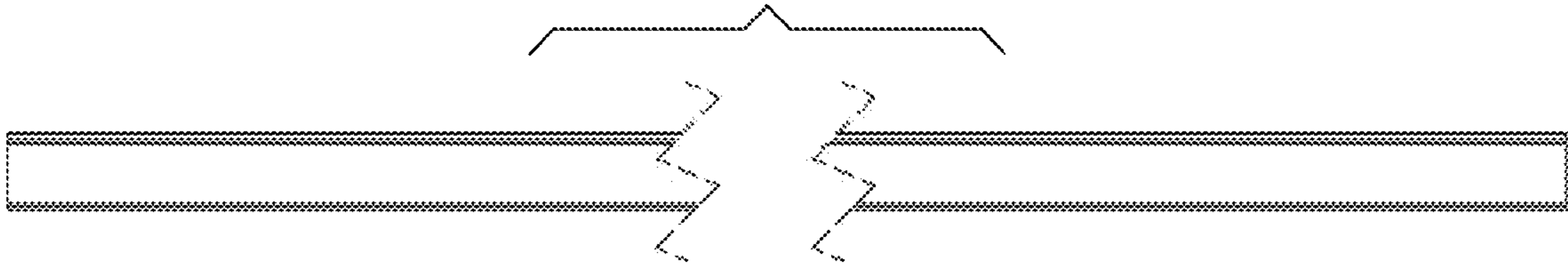


Fig. 4

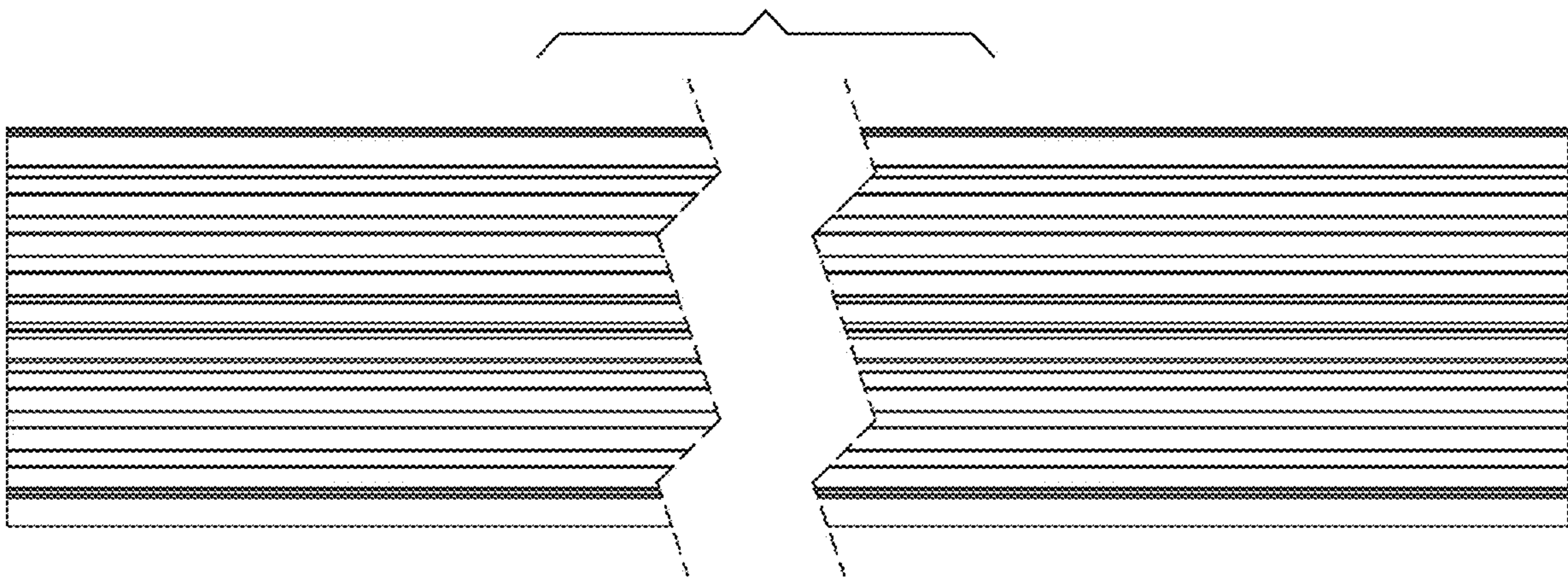


Fig. 5

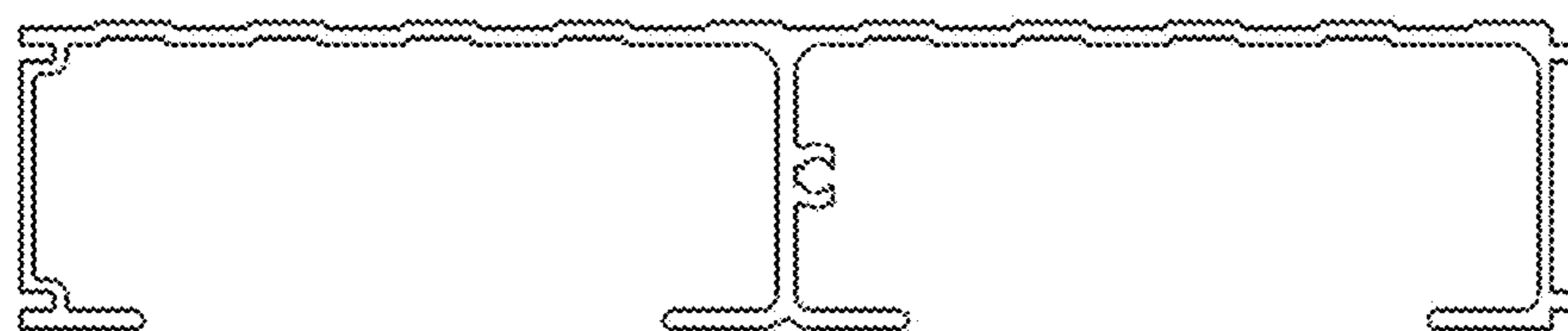


Fig. 6

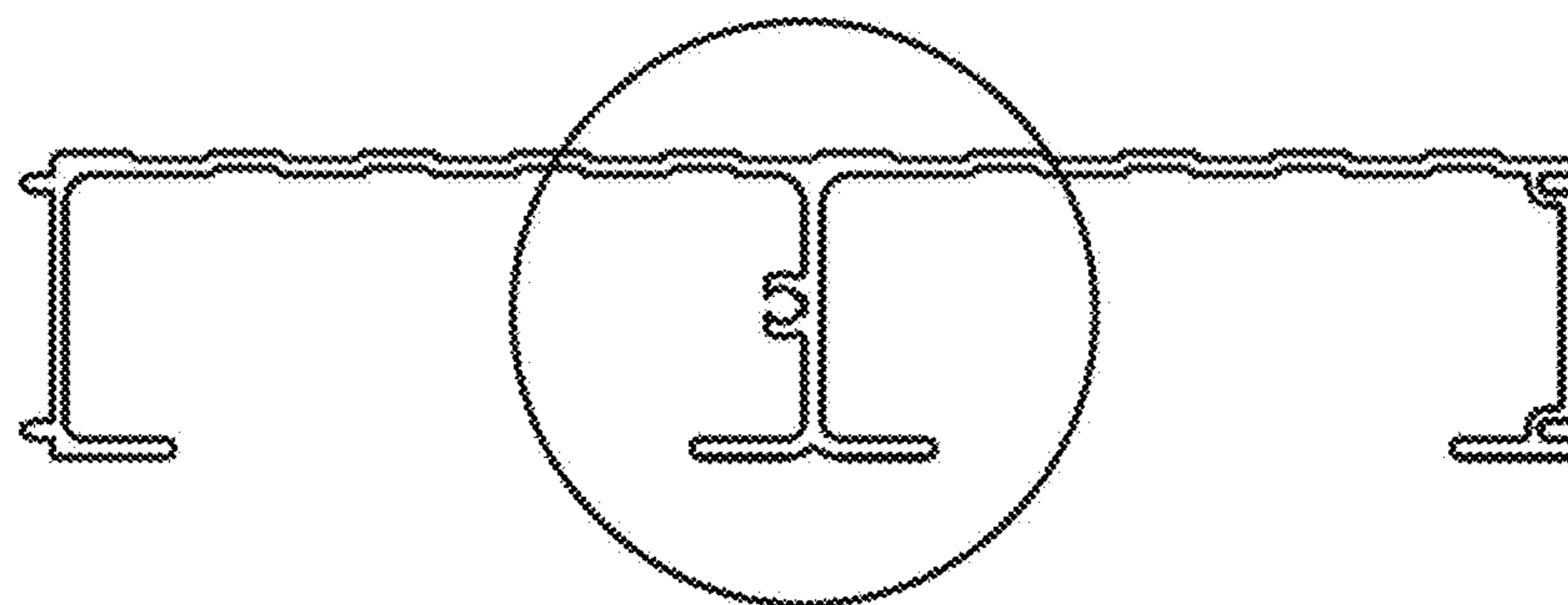


Fig. 7

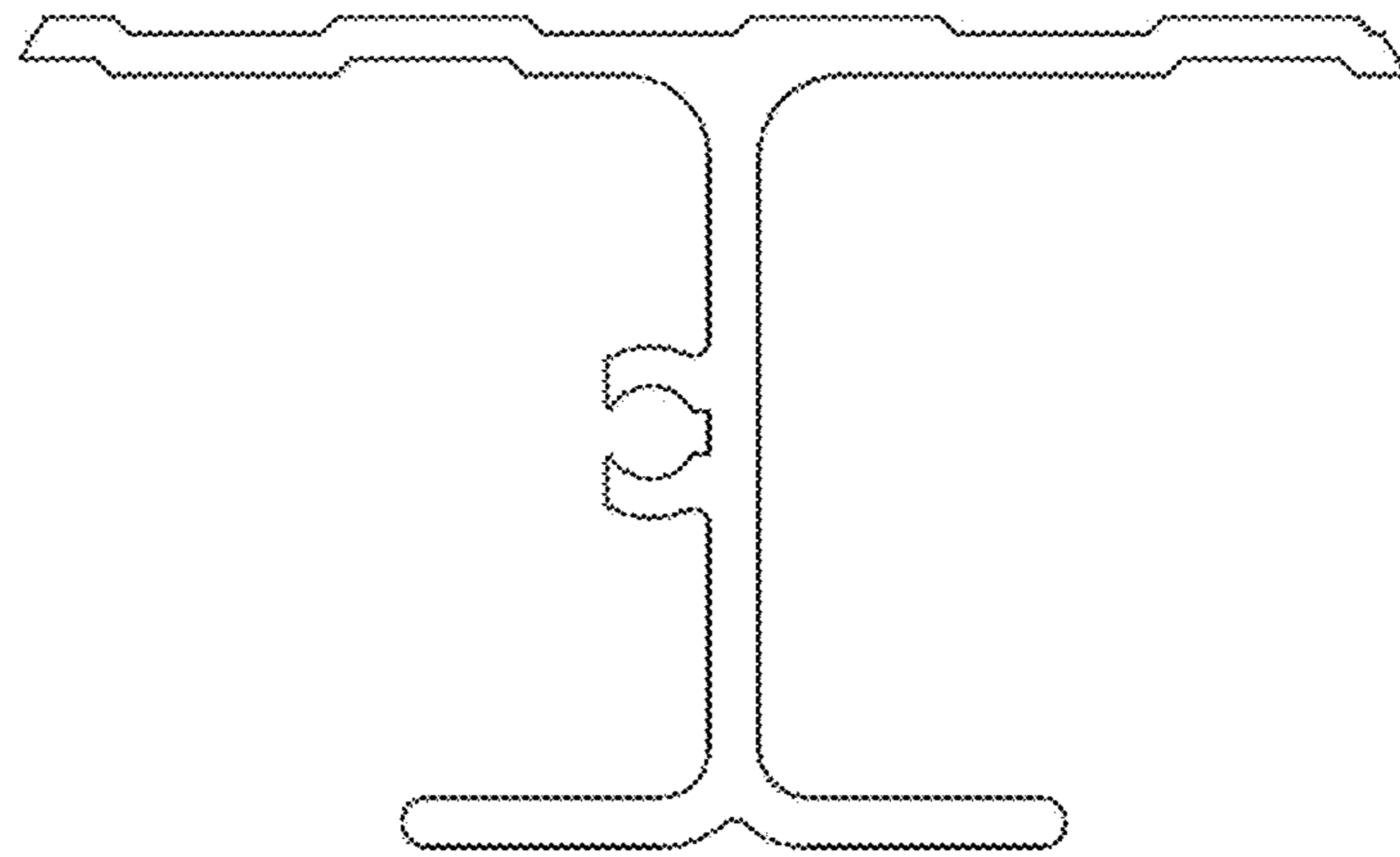


Fig. 8