



US00D951482S

(12) **United States Design Patent** (10) **Patent No.:** **US D951,482 S**
Salomon et al. (45) **Date of Patent:** **** May 10, 2022**

(54) **CARTRIDGE DEVICE**

FOREIGN PATENT DOCUMENTS

(71) Applicant: **MeMed Diagnostics Ltd.**, Tirat
HaCarmel (IL)

CN 101098956 5/2012
JP 2007-178328 7/2007

(Continued)

(72) Inventors: **Noga Salomon**, Carmiel (IL); **Kfir Oved**, Hof HaCarmel (IL); **Omer Nahum Katzenelson**, Atlit (IL); **Eran Eden**, Haifa (IL); **Matthew Hou Pou Yeung**, Nunawading (AU); **James William Luther**, Milan (IT); **Barbara Tornaghi**, Monza (IT); **Andrea Besana**, Seveso (IT)

OTHER PUBLICATIONS

Official Action dated Nov. 26, 2019 From the US Patent and Trademark Office Re. U.S. Appl. No. 29/662,120. (13 pages).

(Continued)

Primary Examiner — Omeed Agilee

(73) Assignee: **MeMed Diagnostics Ltd.**, Tirat
HaCarmel (IL)

(57) **CLAIM**

The ornamental design for a cartridge device, as shown and described.

(**) Term: **15 Years**

DESCRIPTION

(21) Appl. No.: **29/662,119**

This invention was made with government support under contract number HDTRA1-17-C-0011 awarded by the Defense Threat Reduction Agency and grant number W81XWH-17-1-0694 awarded by the U.S. Army Medical Research Acquisition Activity. The government has certain rights in the invention.

(22) Filed: **Sep. 2, 2018**

(51) **LOC (13) Cl.** **24-02**

(52) **U.S. Cl.**
USPC **D24/226**

(58) **Field of Classification Search**
USPC D24/216, 223–224, 231–232, 107, 226,
D24/229, 230; D10/81
CPC G01N 33/6803; A61B 17/32
See application file for complete search history.

FIG. 1 is a top perspective view of a cartridge device, showing our new design;
FIG. 2 is a top view thereof;
FIG. 3 is a left side view thereof;
FIG. 4 is a front view thereof;
FIG. 5 is a right side view thereof;
FIG. 6 is a rear view thereof;
FIG. 7 is a bottom view thereof;
FIG. 8 is a bottom perspective view thereof;
FIG. 9 is a top perspective view thereof in a partially folded position; and,
FIG. 10 is a bottom perspective view thereof in a partially folded position.
The broken lines depict portions of the cartridge device that form no part of the claimed design.

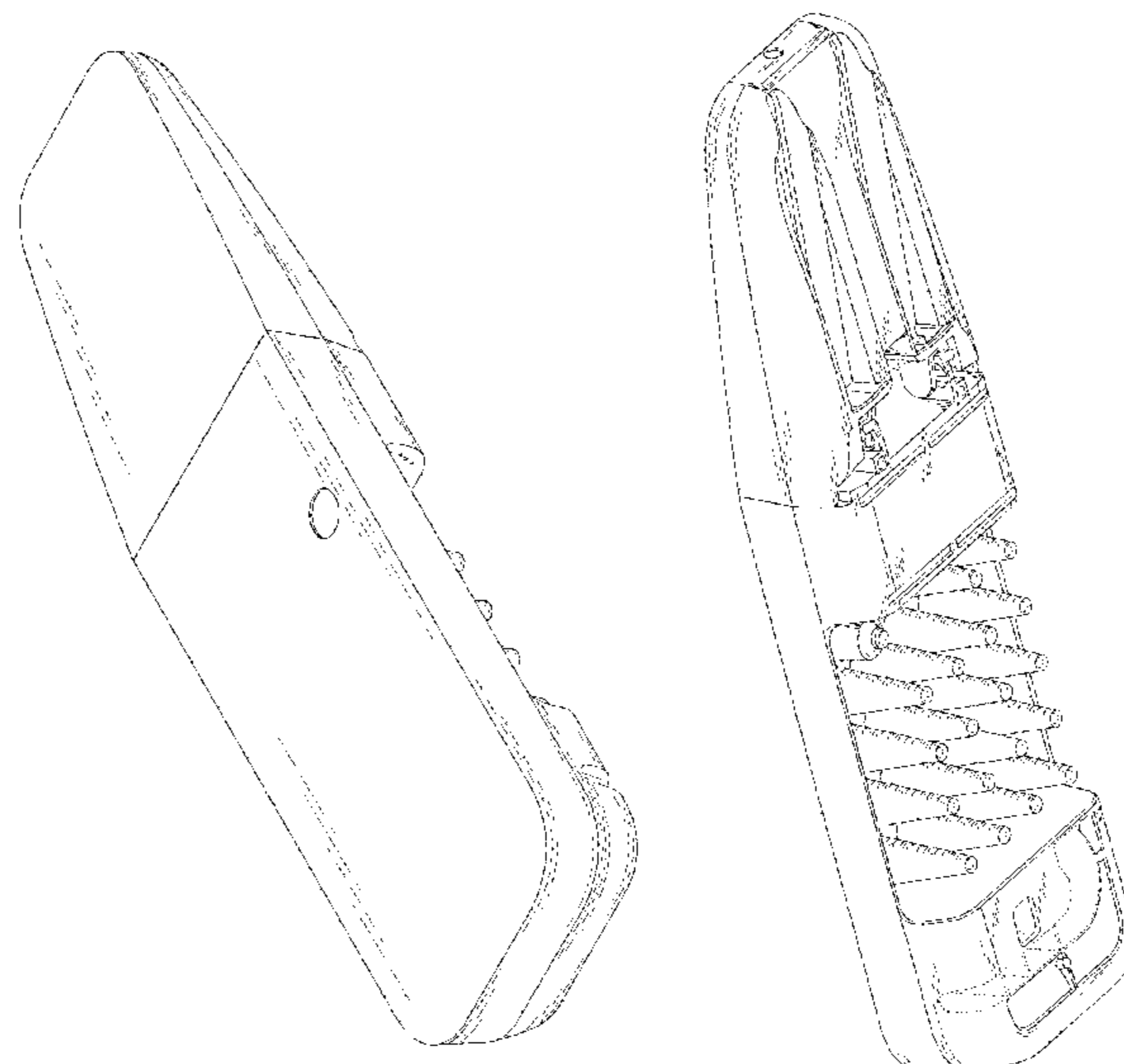
(56) **References Cited**

U.S. PATENT DOCUMENTS

D282,208 S *	1/1986	Lowry	73/863.32
4,576,185 A	3/1986	Proud et al.	
D438,633 S *	3/2001	Miller	D24/216
D631,554 S	1/2011	Jackson et al.	
D638,953 S *	5/2011	Cavada	D24/226
D639,975 S *	6/2011	Doyle	D24/225
D649,658 S	11/2011	Belfance et al.	

(Continued)

1 Claim, 10 Drawing Sheets



(56)

References Cited

U.S. PATENT DOCUMENTS

D669,169	S	10/2012	Washington et al.	
8,383,421	B2	2/2013	Yanagida et al.	
8,409,872	B2	4/2013	Yokoi et al.	
D686,311	S *	7/2013	Mori	D24/108
8,697,377	B2	4/2014	Burd et al.	
D707,825	S	6/2014	Murai	
9,335,339	B2	5/2016	Tajima	
D785,811	S *	5/2017	Watts	D24/224
D830,548	S	10/2018	Kemp	
D833,639	S	11/2018	Peltosaari et al.	
10,118,177	B2 *	11/2018	Burroughs	B01L 3/5085
D843,009	S *	3/2019	Watts	D24/224
2009/0088336	A1	4/2009	Burd et al.	
2015/0250456	A1	9/2015	Olgun	
2016/0051415	A1	2/2016	Kuan et al.	
2017/0065971	A1	3/2017	Kreifels et al.	
2017/0350838	A1 *	12/2017	Katsumoto	B01L 3/50
2020/0290037	A1	9/2020	Salomon et al.	

FOREIGN PATENT DOCUMENTS

WO	WO 02/090995	11/2002
WO	WO 2004/061418	7/2004
WO	WO 2013/043203	3/2013
WO	WO 2013/049706	4/2013
WO	WO 2013/068760	5/2013
WO	WO 2019/087176	5/2019

OTHER PUBLICATIONS

Supplementary European Search Report and the European Search Opinion dated Jul. 8, 2021 From the European Patent Office Re. Application No. 18874575.6. (50 Pages).

* cited by examiner

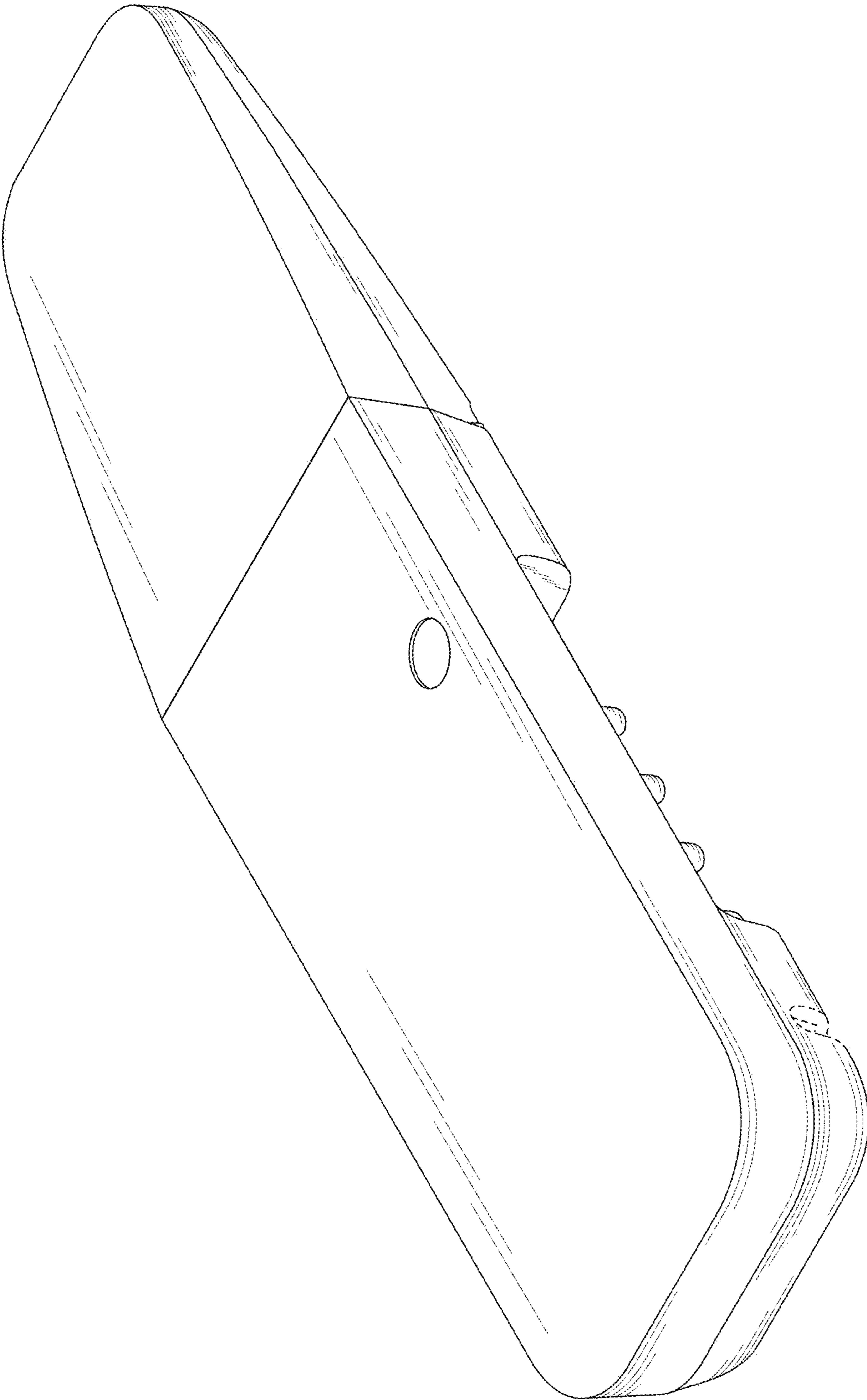


FIG. 1

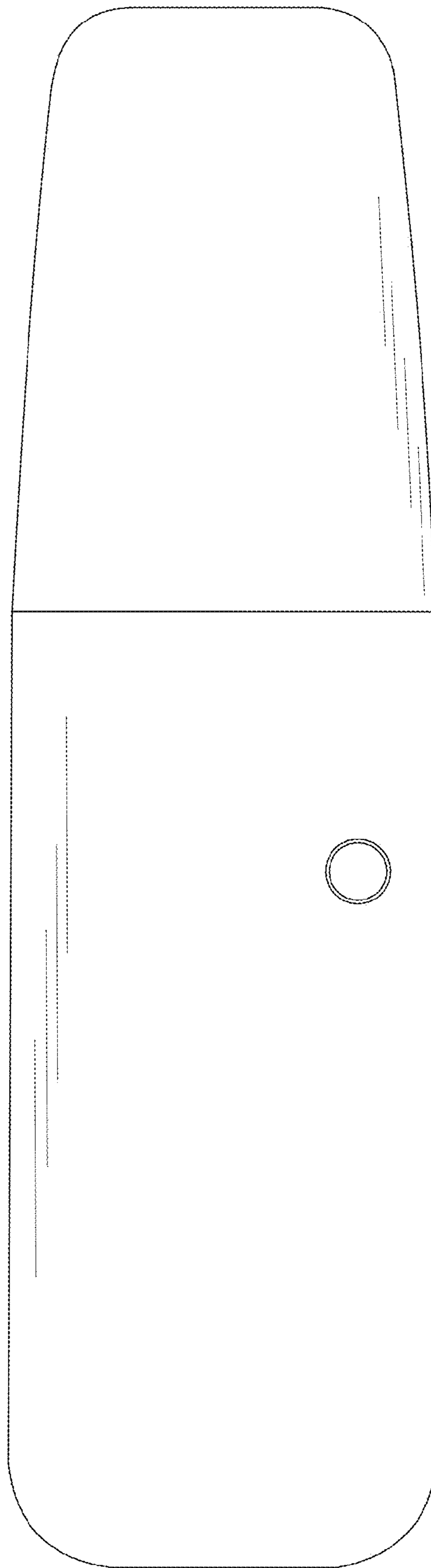


FIG. 2

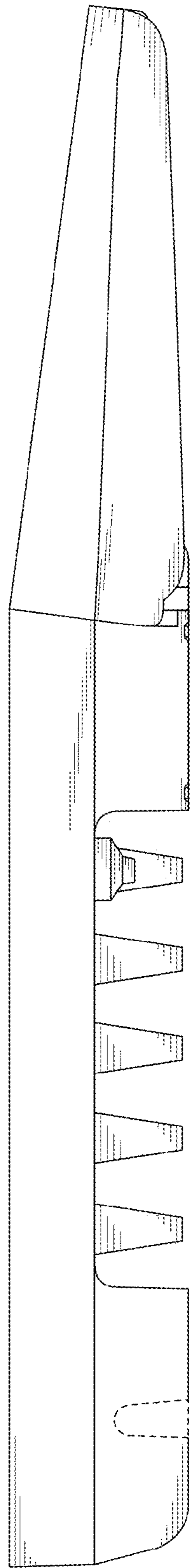


FIG. 3

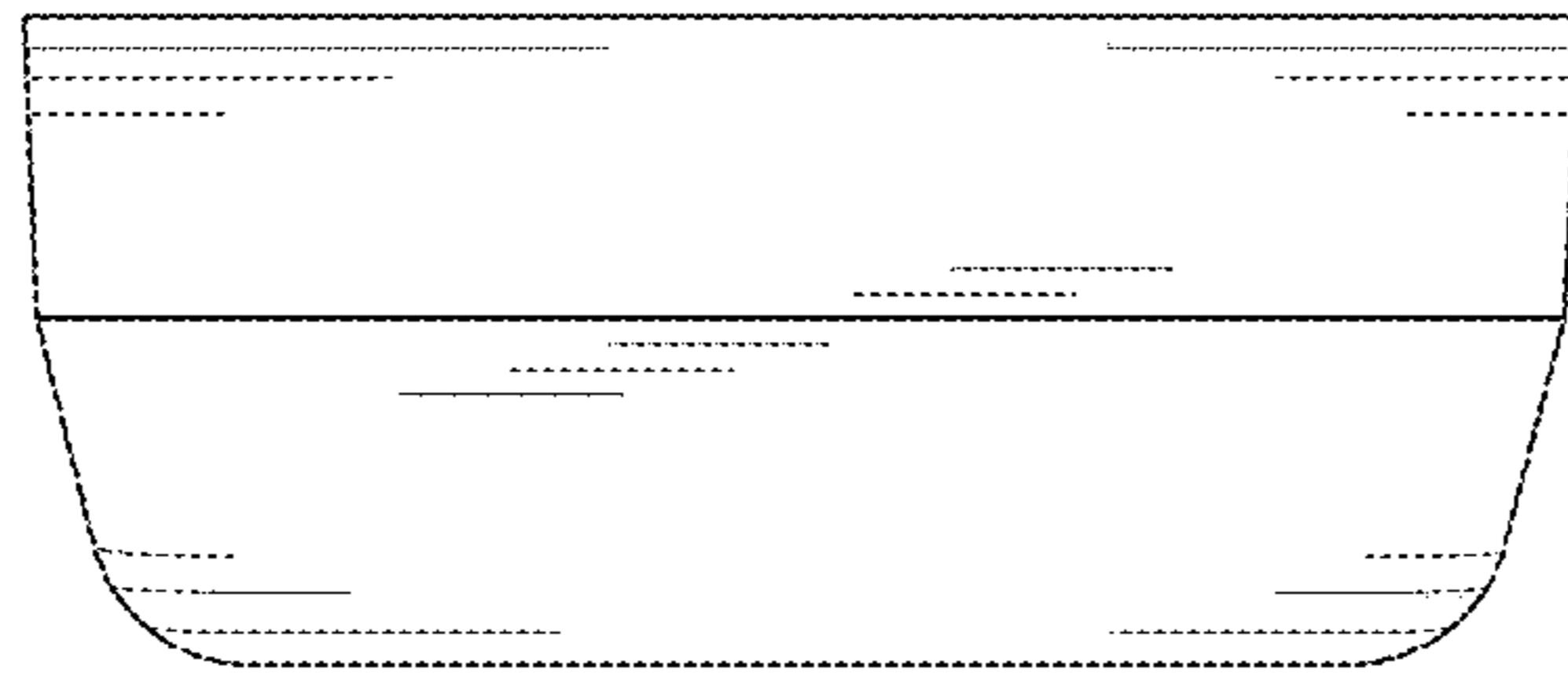


FIG. 4

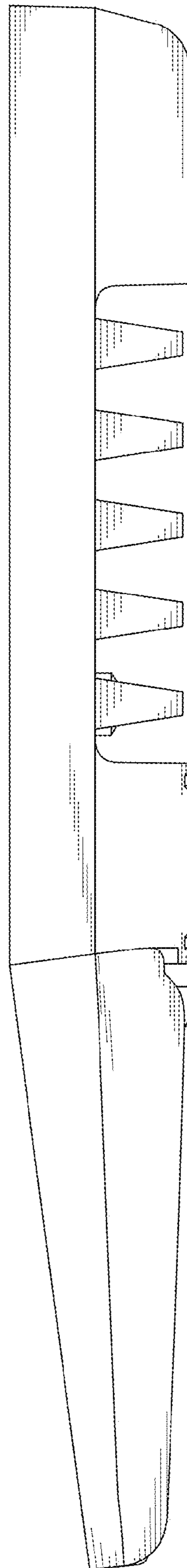


FIG. 5

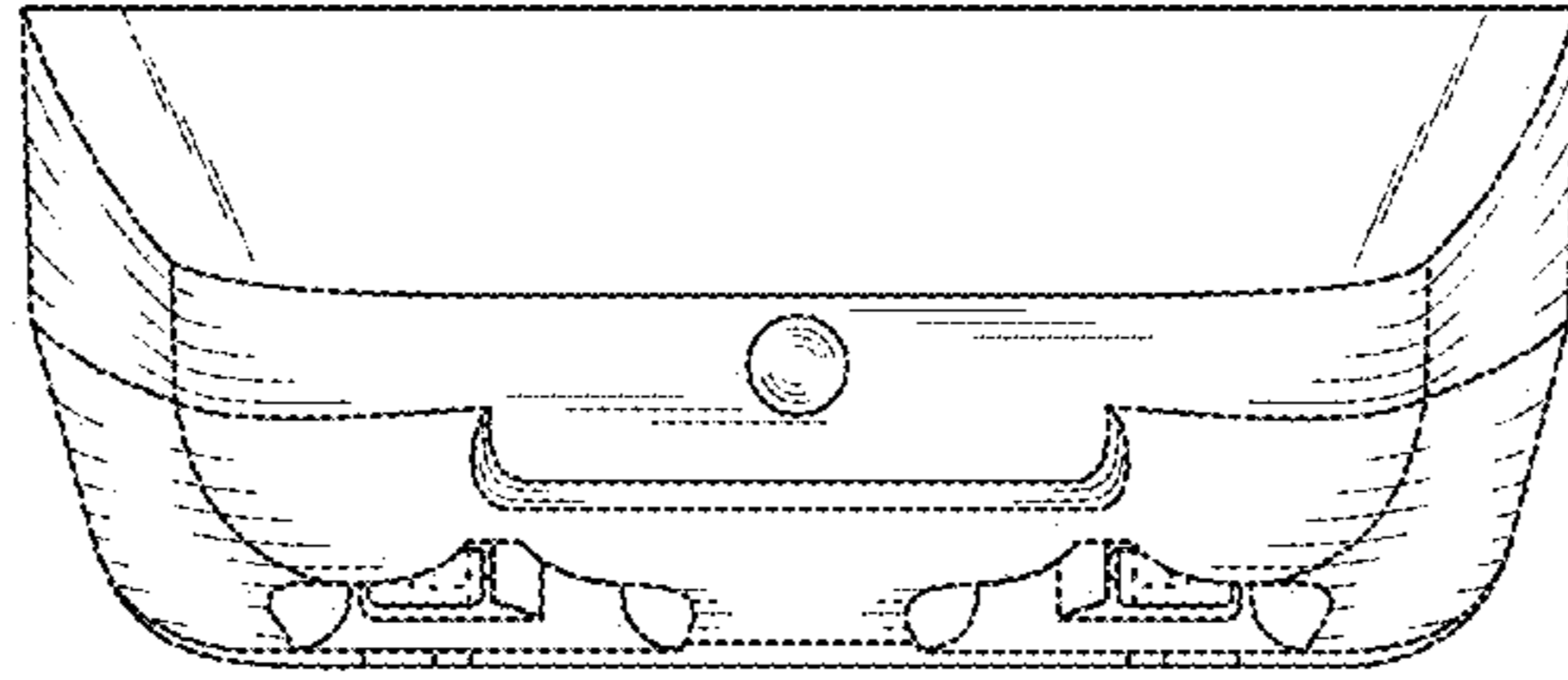


FIG. 6

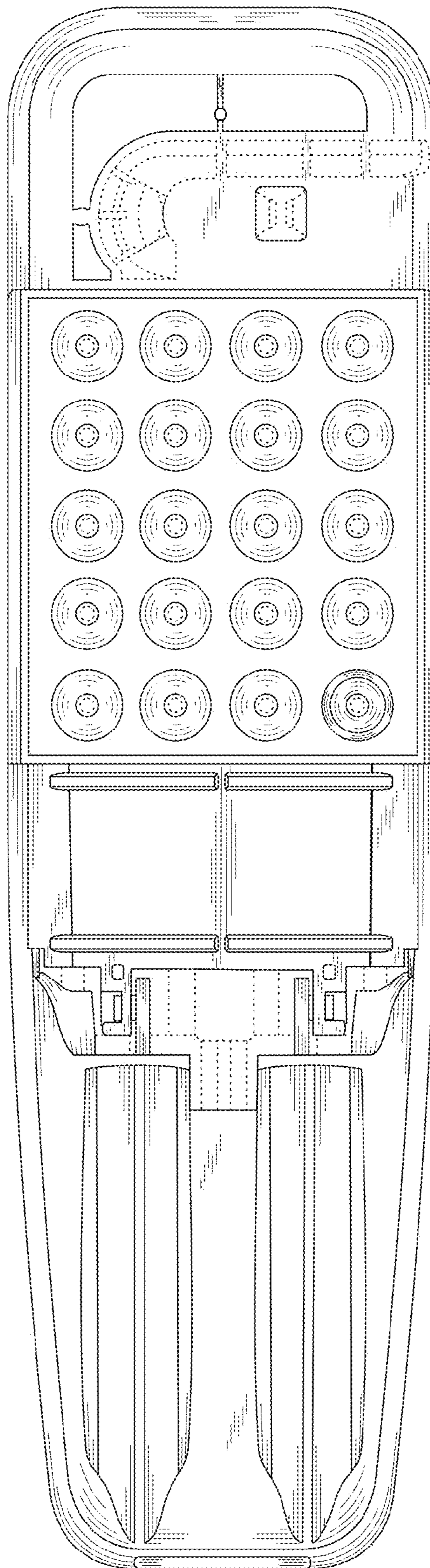


FIG. 7

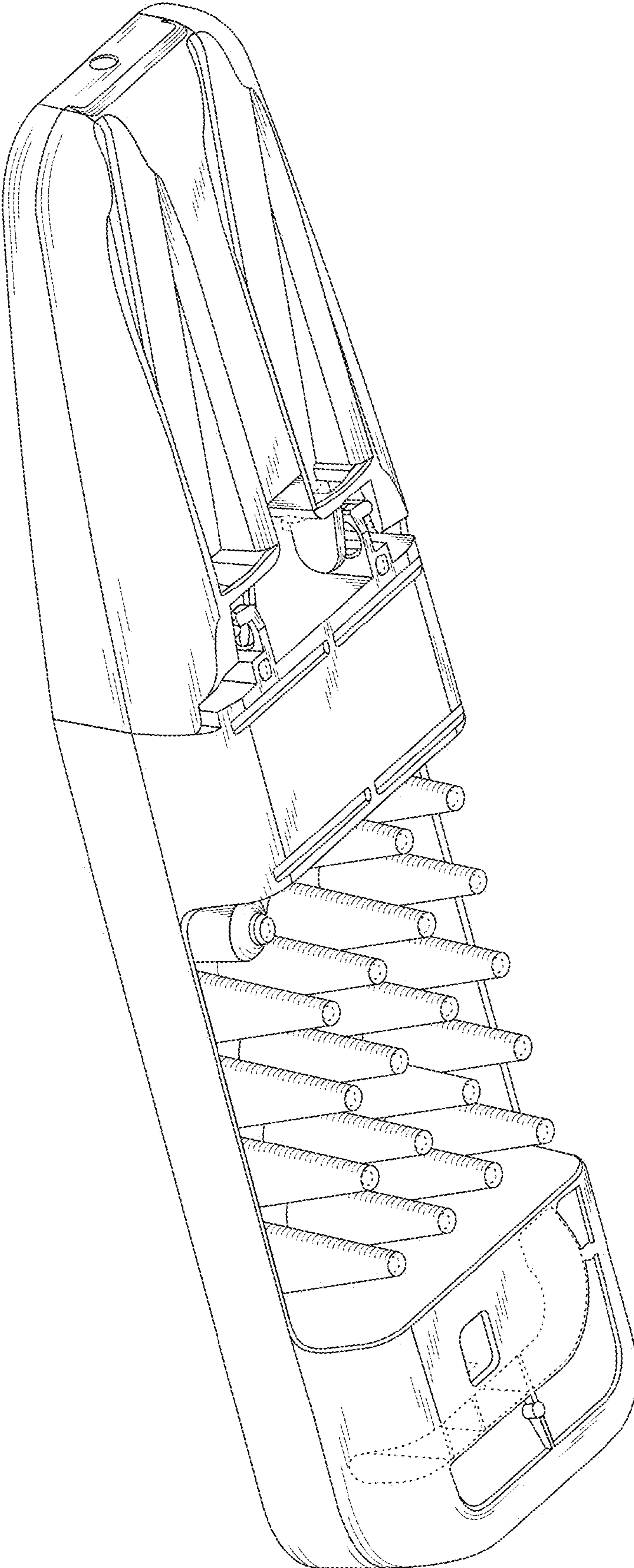


FIG. 8

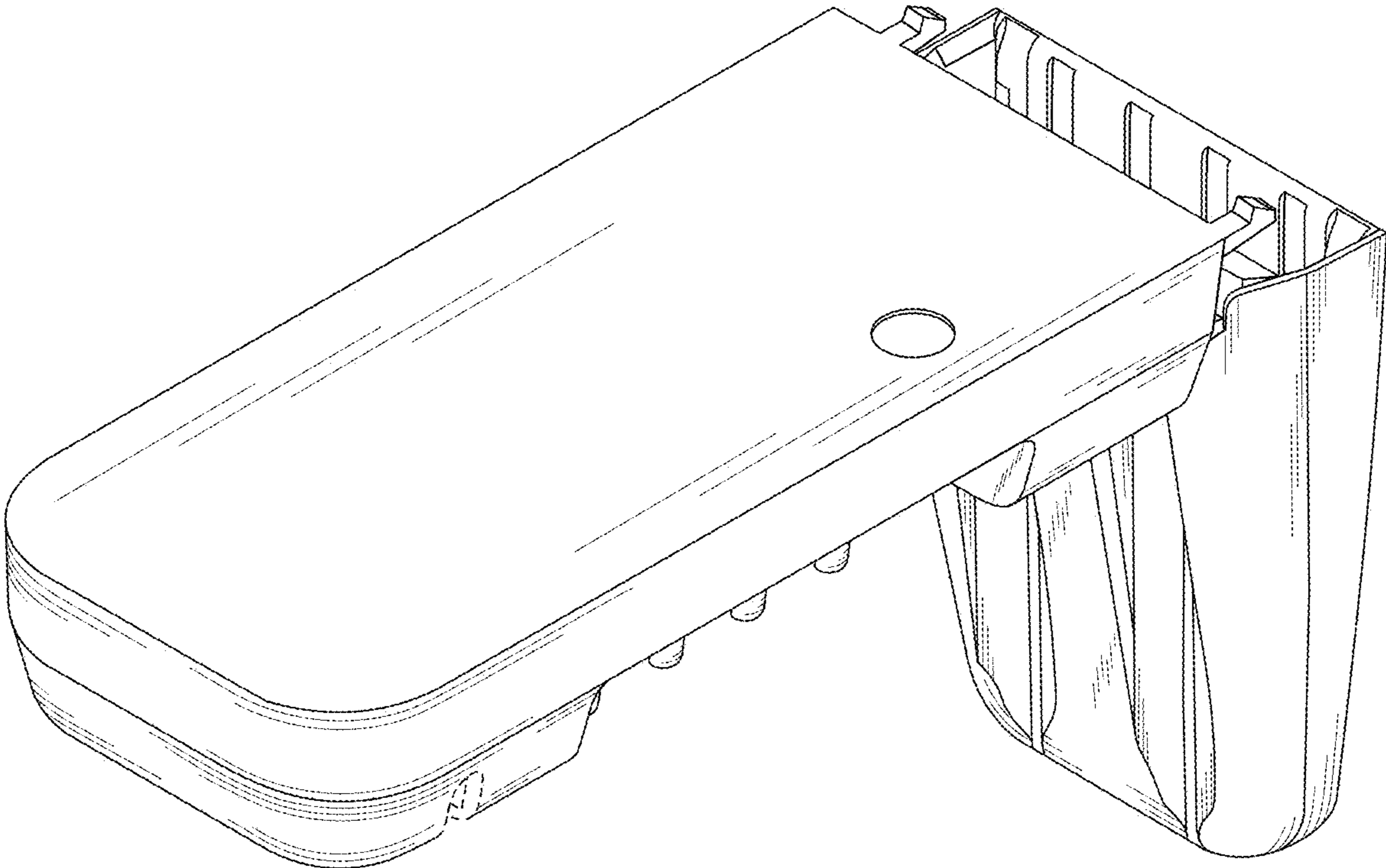


FIG. 9

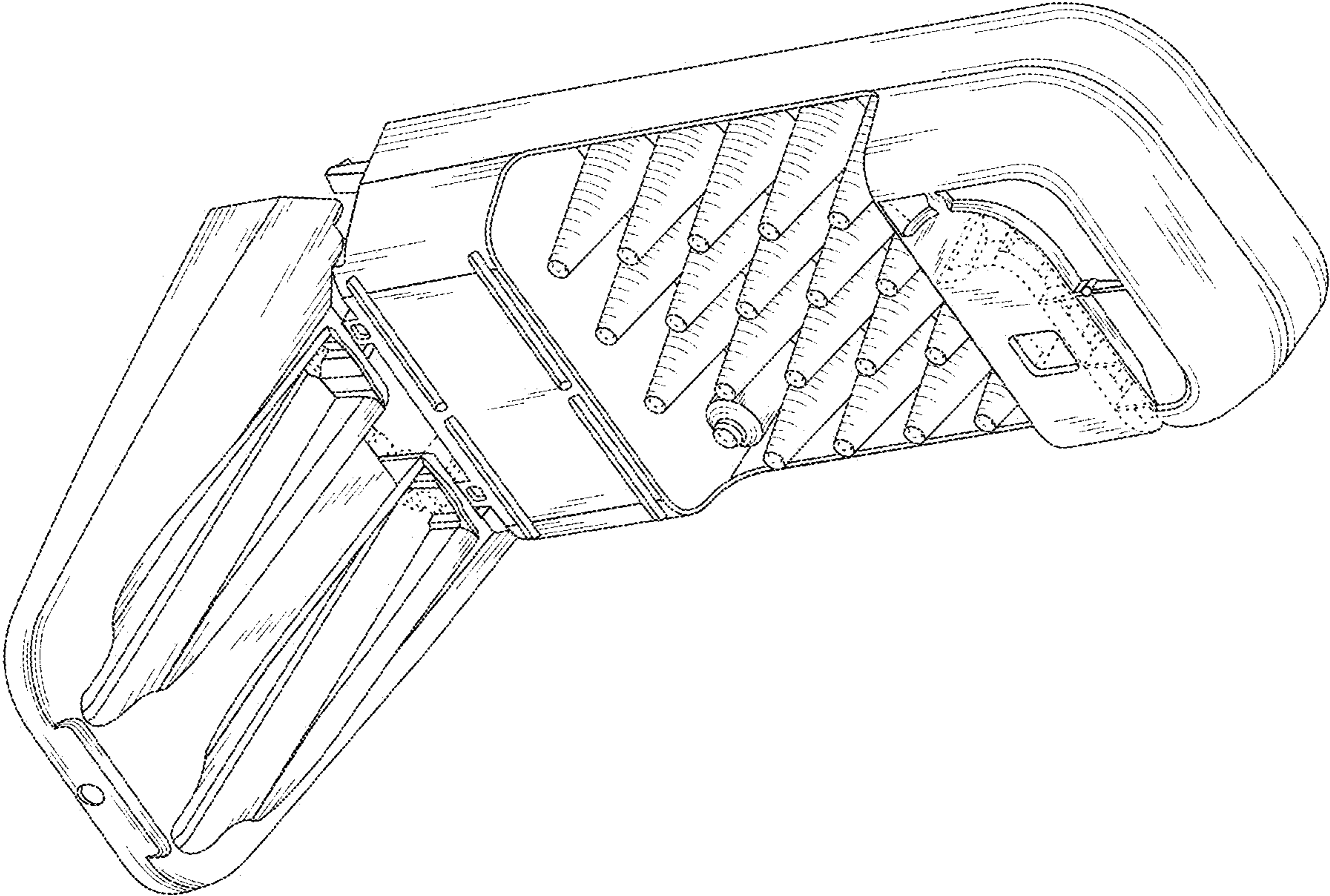


FIG. 10