



US00D951479S

(12) **United States Design Patent** (10) **Patent No.:** **US D951,479 S**
Versteeg et al. (45) **Date of Patent:** **** May 10, 2022**

(54) **MICROFLUIDIC CARTRIDGE**
(71) Applicant: **Precision NanoSystems ULC,**
Vancouver (CA)
(72) Inventors: **Benjamin Albert Versteeg,** Vancouver
(CA); **Robert Young,** Vancouver (CA)
(73) Assignee: **PRECISION NANOSYSTEMS INC.,**
Vancouver (CA)
(**) Term: **15 Years**
(21) Appl. No.: **29/695,986**
(22) Filed: **Jun. 24, 2019**
(51) **LOC (13) Cl.** **24-02**
(52) **U.S. Cl.**
USPC **D24/224**
(58) **Field of Classification Search**
USPC D24/169, 216, 224–227, 230, 232, 233;
D13/180, 184, 199; D14/435–438, 356,
D14/432, 433, 439, 453
CPC . A01N 1/0247; B01J 19/0046; B01J 19/0093;
B01L 3/50273
See application file for complete search history.

2015/0087079 A1* 3/2015 Coffey G01N 33/54366
436/501
2016/0175840 A1* 6/2016 Ingber B01L 3/502707
422/502
2018/0353958 A1* 12/2018 Hinojosa B01J 4/00

OTHER PUBLICATIONS

The NanoAssemblr. Online, published date unknown. Retrieved on Aug. 10, 2020 from URL: <https://www.precisionnanosystems.com/our-technology/ignite>.
U.S. Appl. No. 29/643,363, S, filed Apr. 7, 2018, Precision NanoSystems Inc., Figures 1 to 7.

* cited by examiner

Primary Examiner — Omeed Agilee
(74) *Attorney, Agent, or Firm* — Leydig Voit & Mayer, Ltd.

(57) **CLAIM**

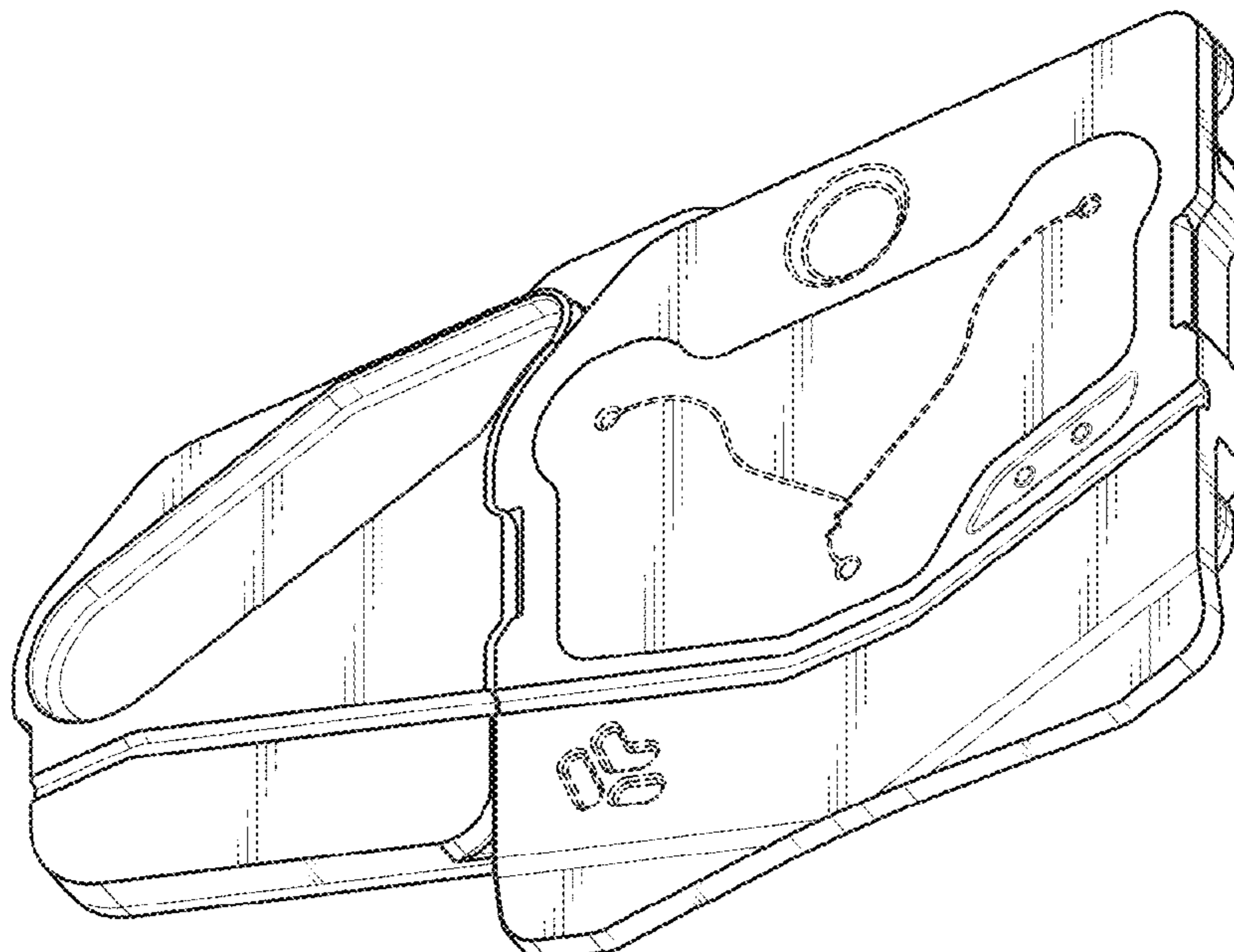
The ornamental design for a microfluidic cartridge, as shown and described.

DESCRIPTION

FIG. 1 is a top front left perspective view of a microfluidic cartridge showing our new design;
FIG. 2 is a top plan view thereof;
FIG. 3 is a bottom plan view thereof;
FIG. 4 is a right side elevation view thereof;
FIG. 5 is a left side elevation view thereof;
FIG. 6 is a front elevation view thereof; and,
FIG. 7 is a rear elevation view thereof.
The broken lines are included for the purpose of illustrating portions of the microfluidic cartridge that form no part of the claimed design.

(56) **References Cited**
U.S. PATENT DOCUMENTS
D328,135 S * 7/1992 Fan D24/216
D812,242 S * 3/2018 Chang D24/224
D849,265 S * 5/2019 Wild D24/224
D878,622 S * 3/2020 Wild D24/224
2009/0047713 A1* 2/2009 Handique C12Q 1/686
435/91.2
2010/0216126 A1* 8/2010 Balachandran B01L 3/50273
435/6.11
2013/0130262 A1* 5/2013 Battrell B01L 3/50273
435/6.12

1 Claim, 7 Drawing Sheets



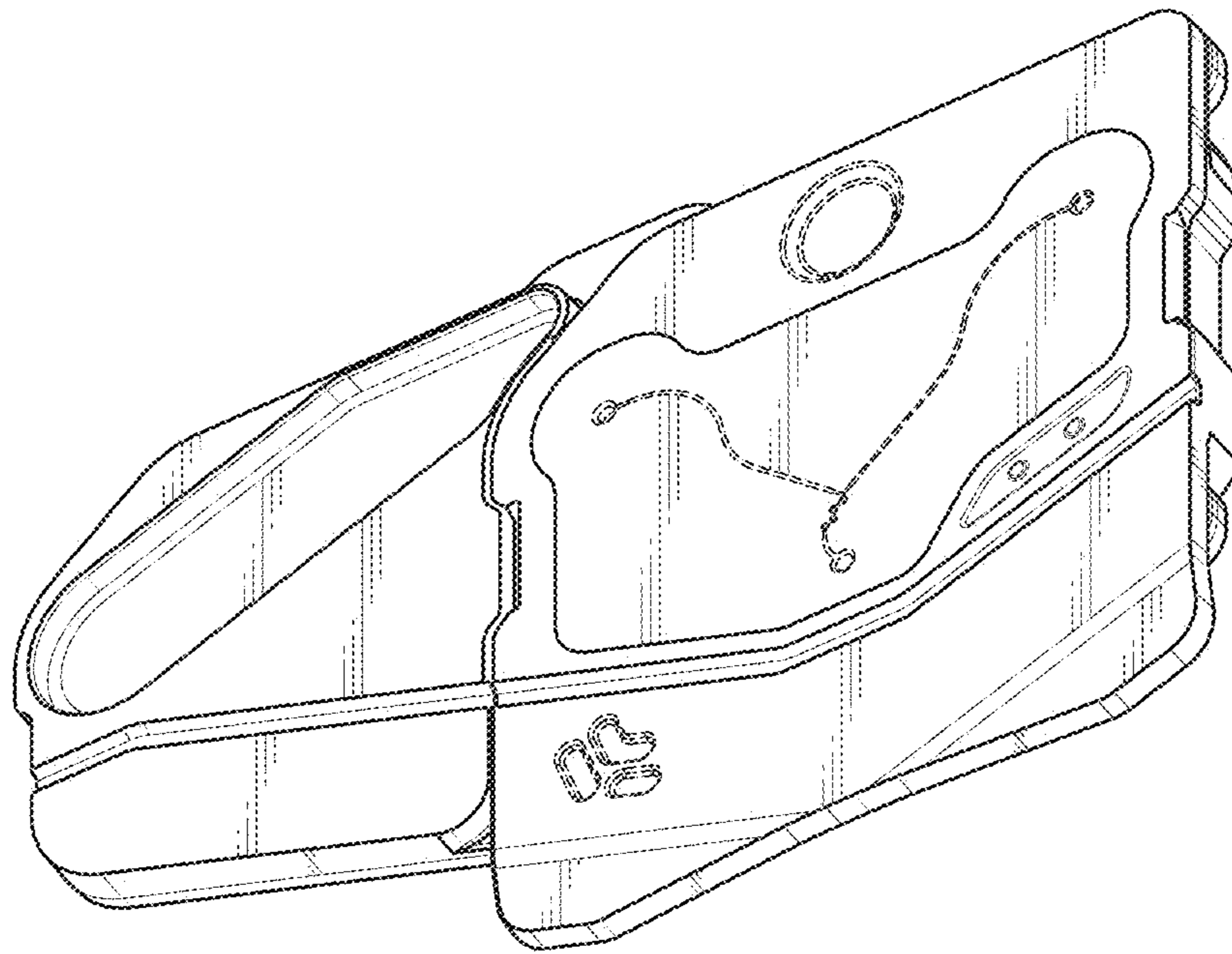


FIG. 1

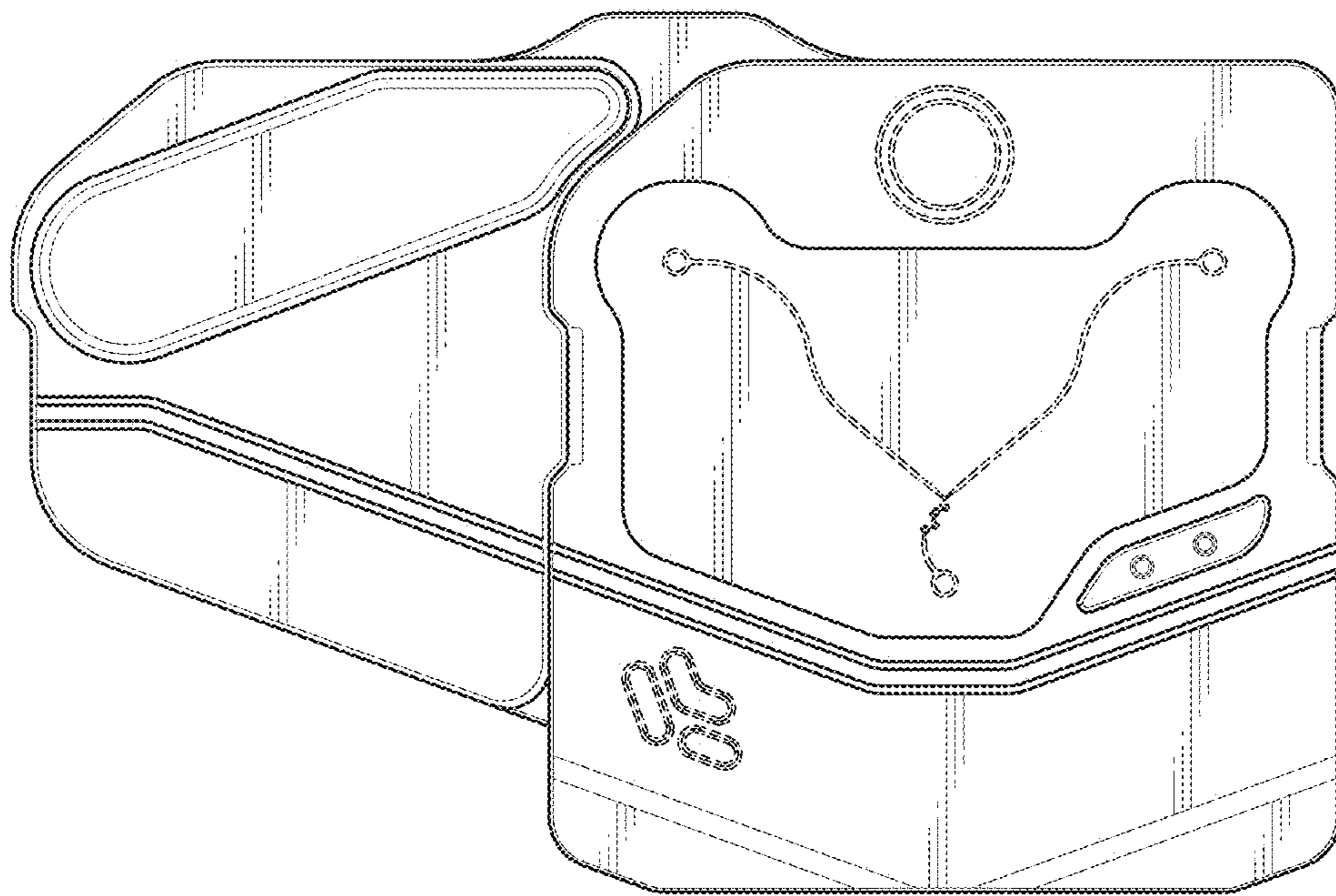


FIG. 2

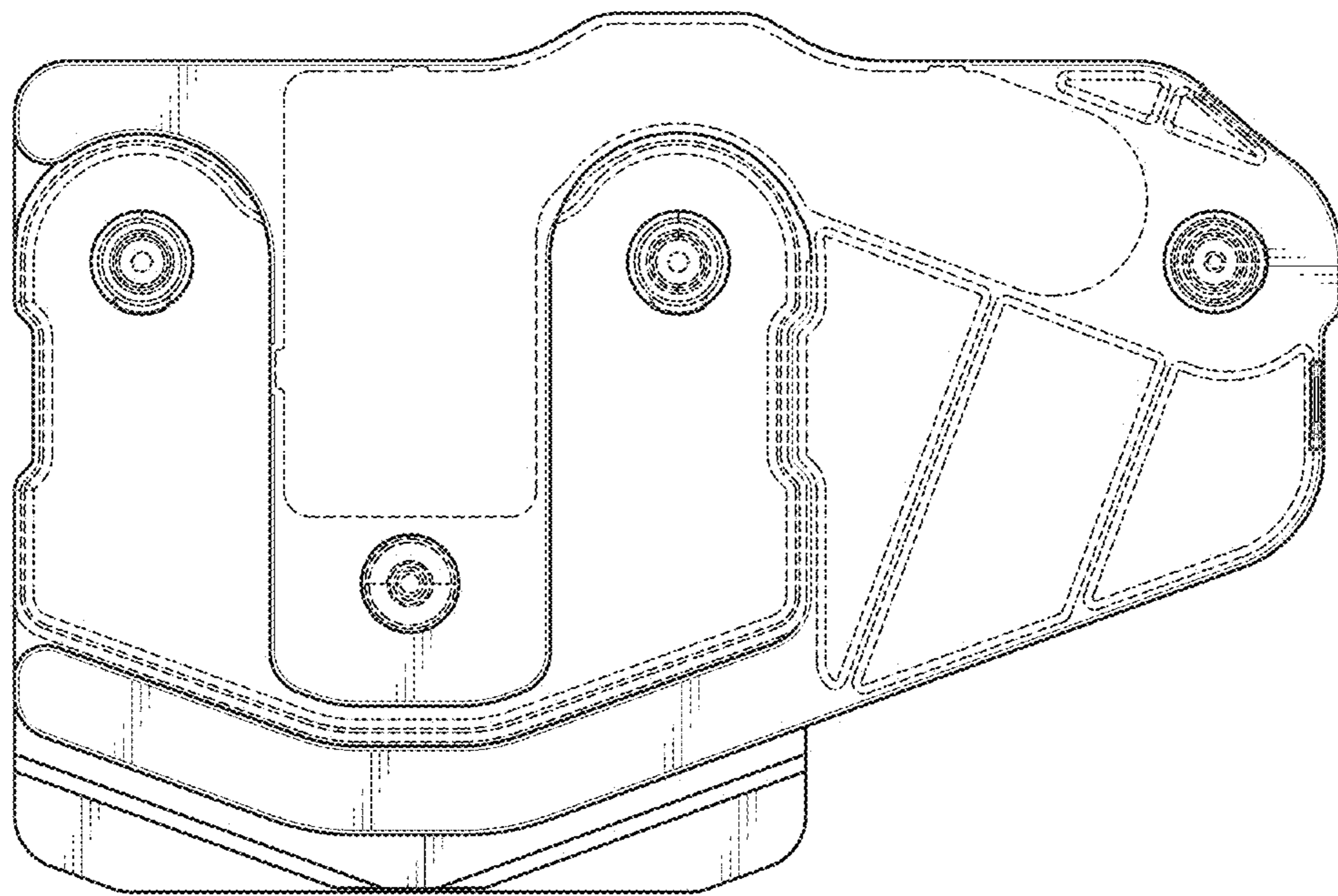


FIG. 3

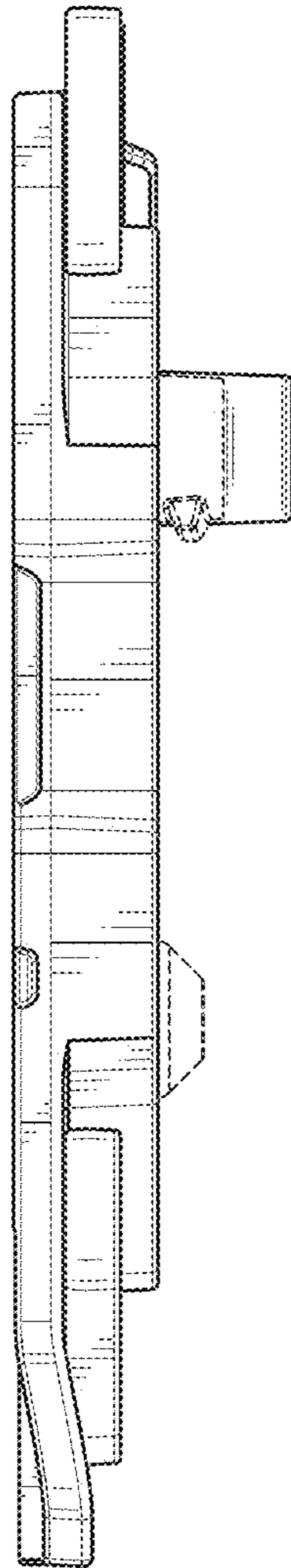


FIG. 4

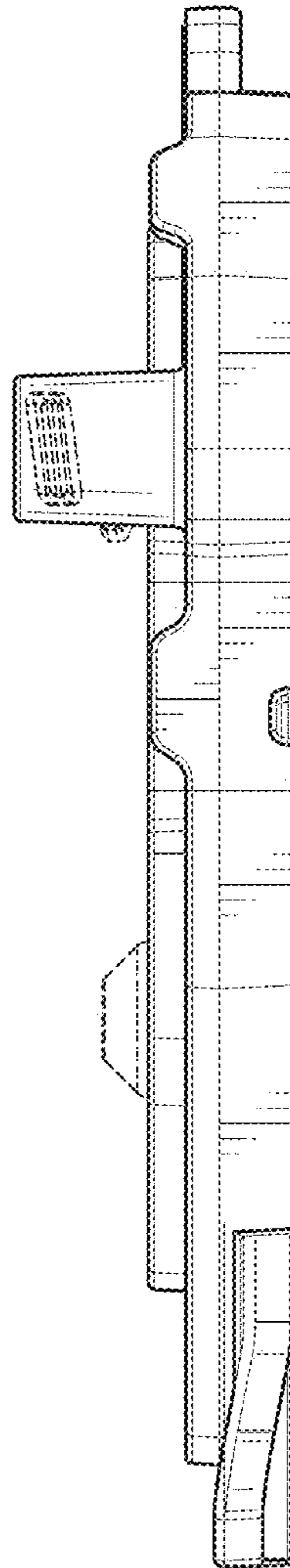


FIG. 5

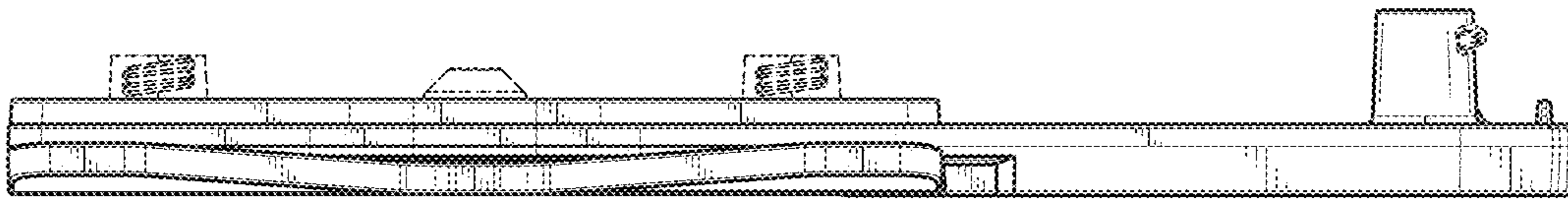


FIG. 6

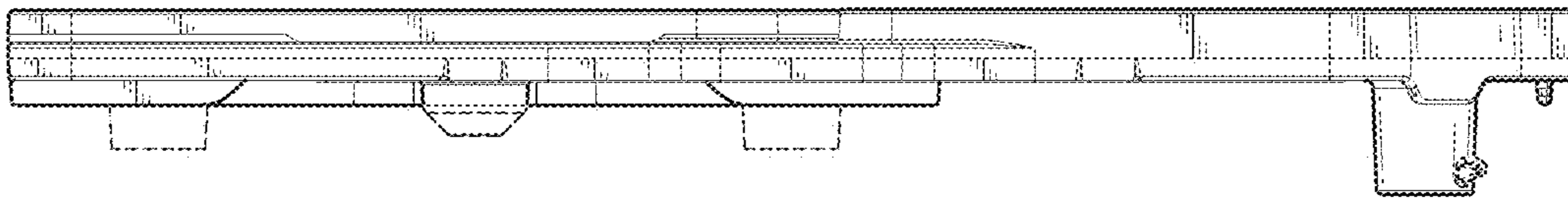


FIG. 7