



US00D951475S

(12) **United States Design Patent** (10) **Patent No.:** **US D951,475 S**
Subratty et al. (45) **Date of Patent:** **** May 10, 2022**

(54) **PURIFICATION CASSETTE**

(56) **References Cited**

(71) Applicant: **Puridify Ltd**, Hertfordshire (GB)

U.S. PATENT DOCUMENTS

(72) Inventors: **Shameer Subratty**, Hertfordshire (GB);
Adam Pinnock, Hertfordshire (GB);
Hannes Hjorter, Uppsala (SE); **Lars Rosengren**, Uppsala (SE); **Anji Reddy Venna**, Hertfordshire (GB); **Nirmal Kumar Thanikachalam**, Bangalore (IN); **Gabriel Zenkner**, Hertfordshire (GB)

D351,904 S * 10/1994 Maze D24/224
D378,941 S * 4/1997 Lahm D24/224
D456,075 S * 4/2002 Clements D24/121
D645,973 S * 9/2011 Hoenes D24/224
D681,843 S * 5/2013 Nemeth G01N 21/03
D24/224
D698,938 S * 2/2014 Fonseca B01L 3/5088
D24/224
D708,749 S * 7/2014 Appling D24/162
D769,434 S * 10/2016 Sevy D23/364
9,707,519 B2 * 7/2017 Akerstrom B01D 63/082
2014/0373495 A1 * 12/2014 Madeira B01D 46/0005
55/502
2020/0101409 A1 * 4/2020 Chen B01D 46/0005

(73) Assignee: **Puridify Ltd**, Hertfordshire (GB)

(**) Term: **15 Years**

* cited by examiner

(21) Appl. No.: **29/756,766**

Primary Examiner — Anhdao Doan

(22) Filed: **Oct. 30, 2020**

(74) *Attorney, Agent, or Firm* — Eversheds Sutherland (US) LLP

(30) **Foreign Application Priority Data**

(57) **CLAIM**

Apr. 30, 2020 (GB) 6088332

The ornamental design for a purification cassette, as shown and described.

(51) **LOC (13) Cl.** **24-01**

DESCRIPTION

(52) **U.S. Cl.**

USPC **D24/216**

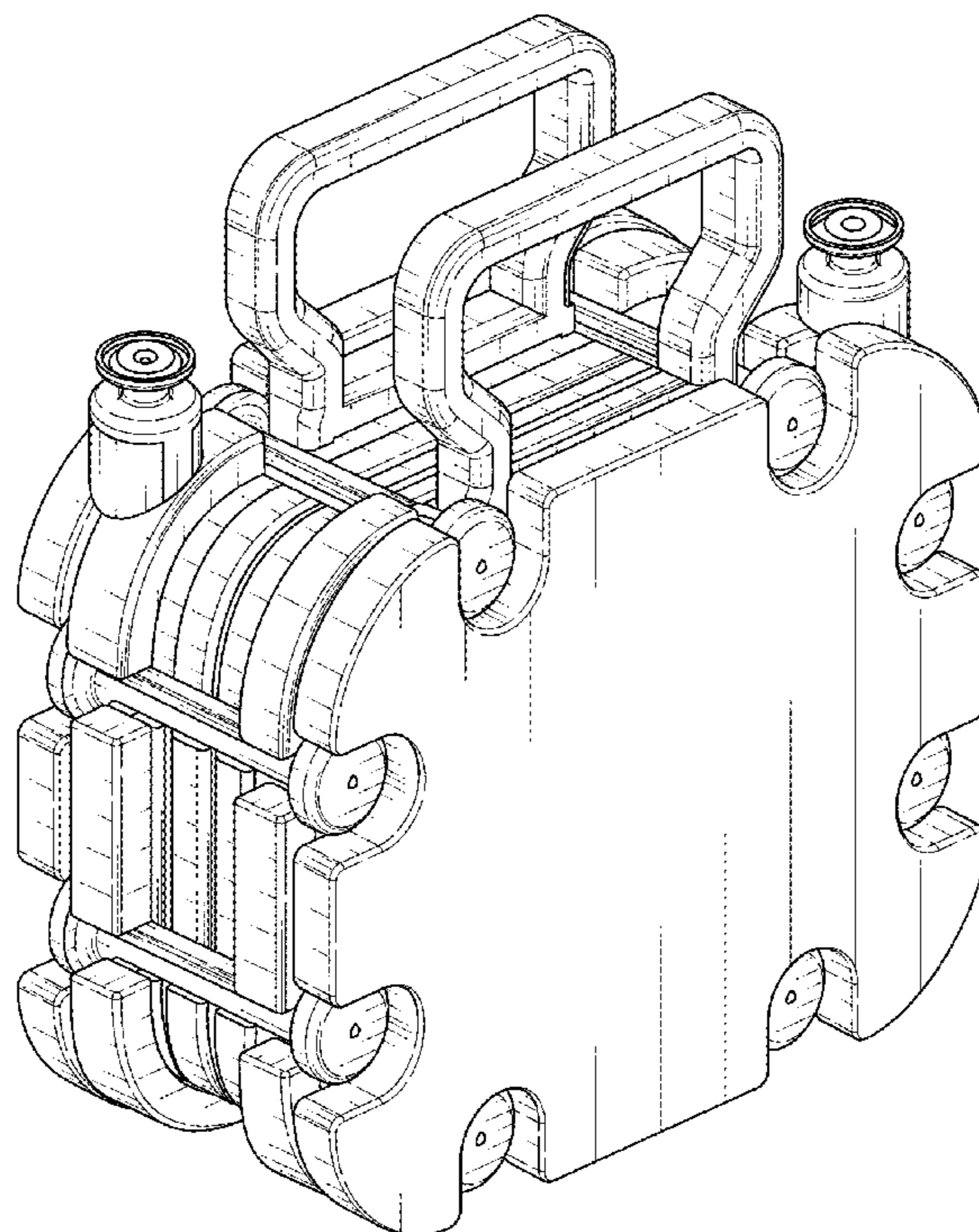
(58) **Field of Classification Search**

USPC D24/216, 219, 223–227, 231, 232, 233, D24/234, 162, 217; D10/81; D9/524, D9/528, 549; D3/203.1; D23/207, 365
CPC A61L 9/12; A61L 2/0082; B01D 46/0002; B01D 46/0004; B01D 46/0005

FIG. 1 is a top, left and front perspective view of a purification cassette;
FIG. 2 is a front view thereof, the rear view being the same;
FIG. 3 is a left side view thereof, the right side view being the same;
FIG. 4 is a top view thereof; and,
FIG. 5 is a bottom view thereof.

See application file for complete search history.

1 Claim, 4 Drawing Sheets



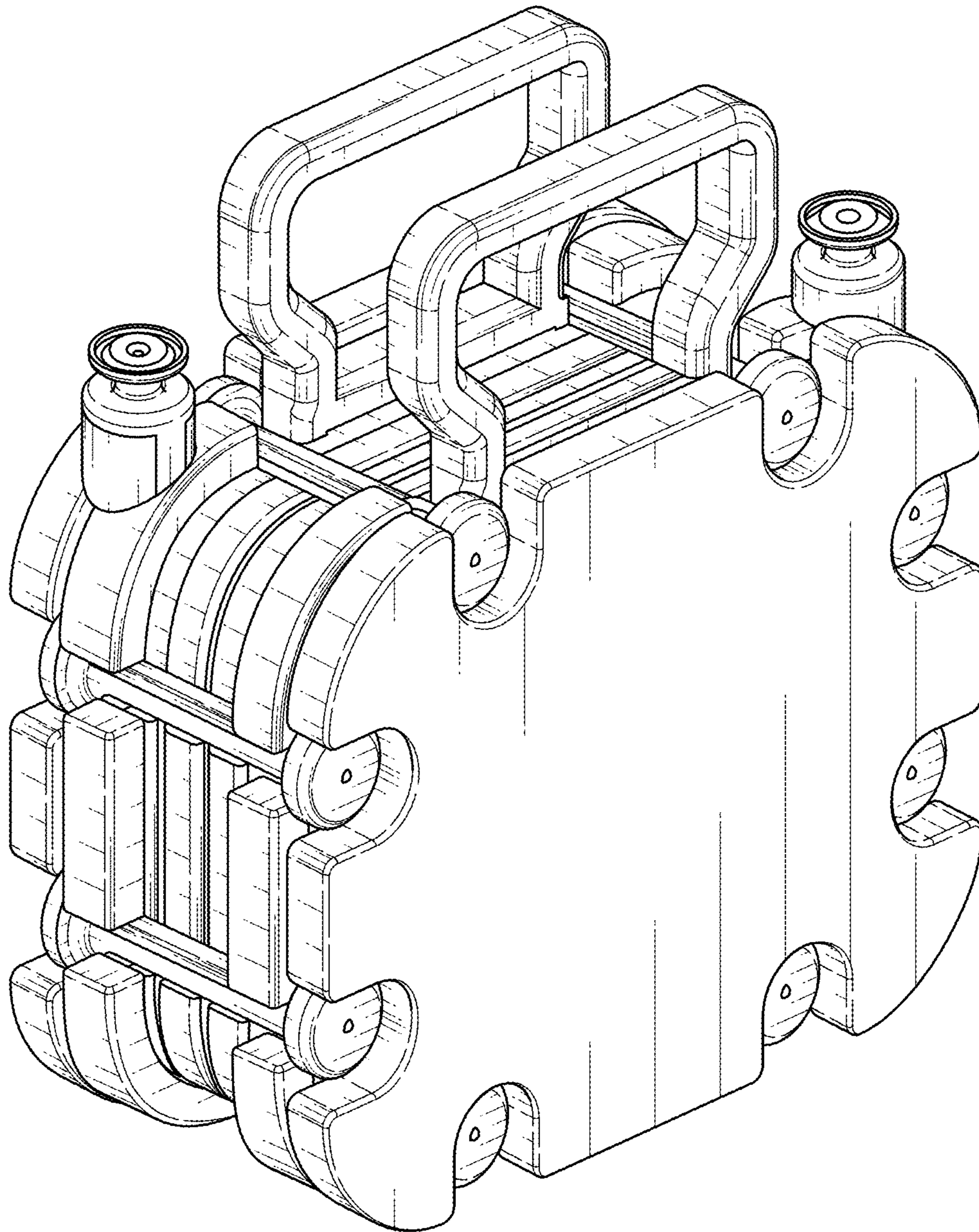


FIG. 1

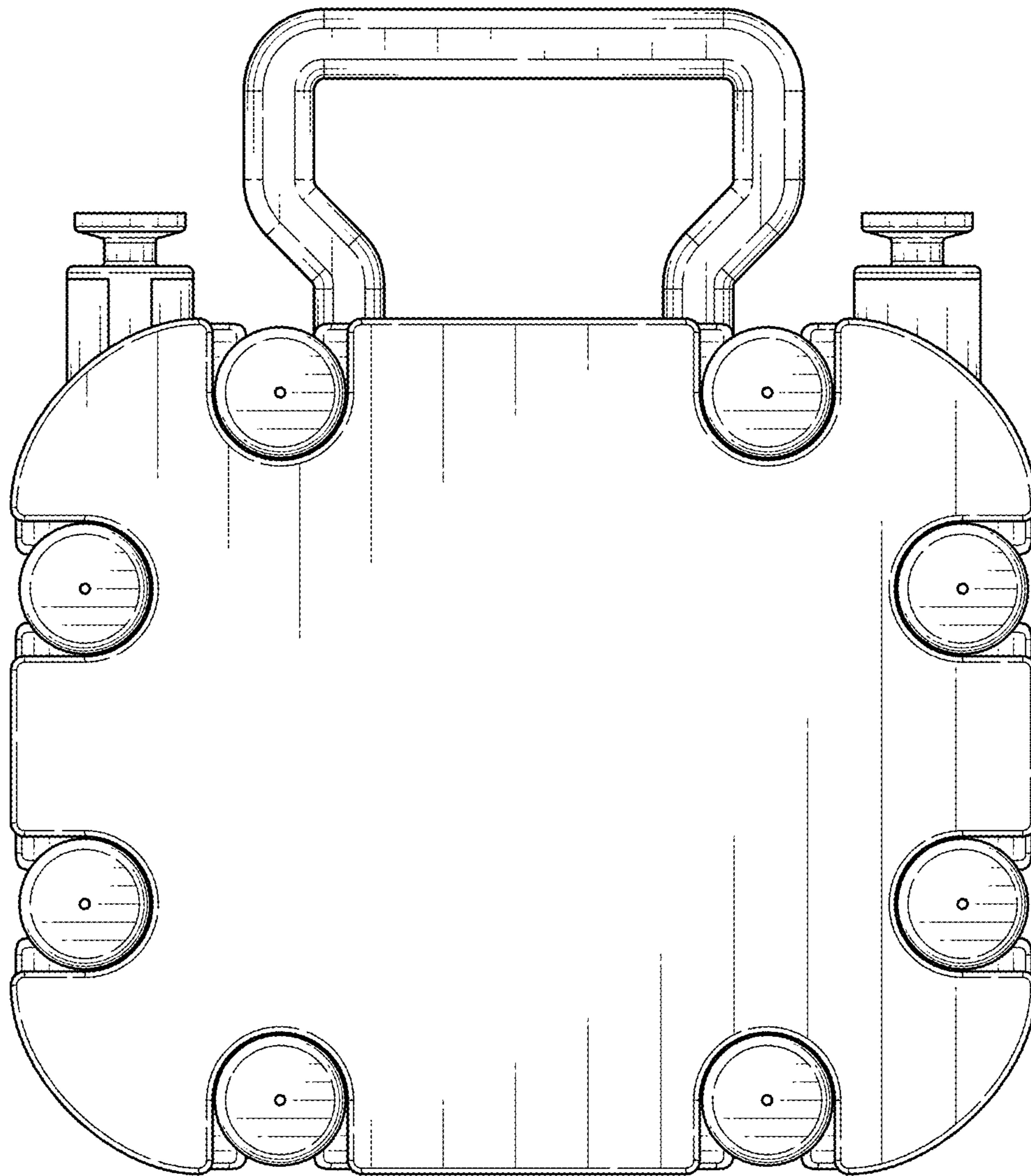


FIG. 2

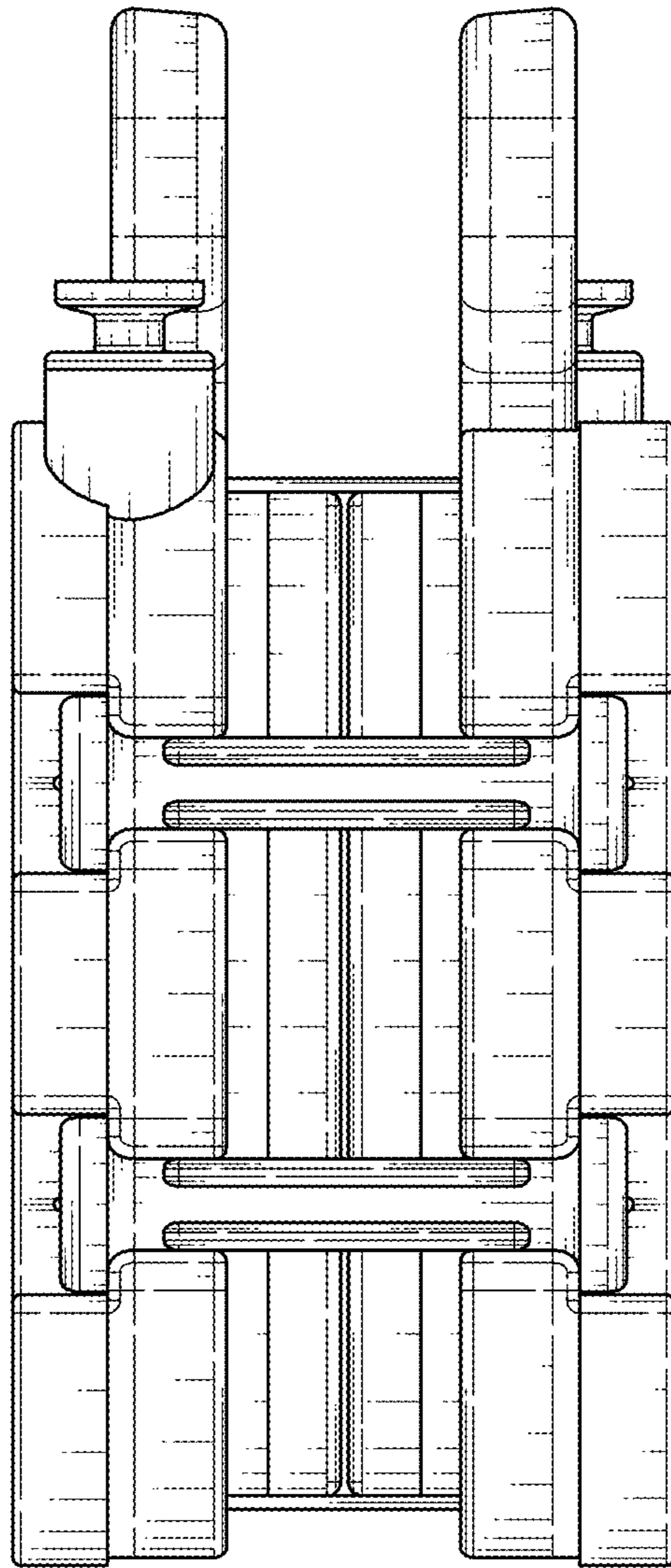


FIG. 3

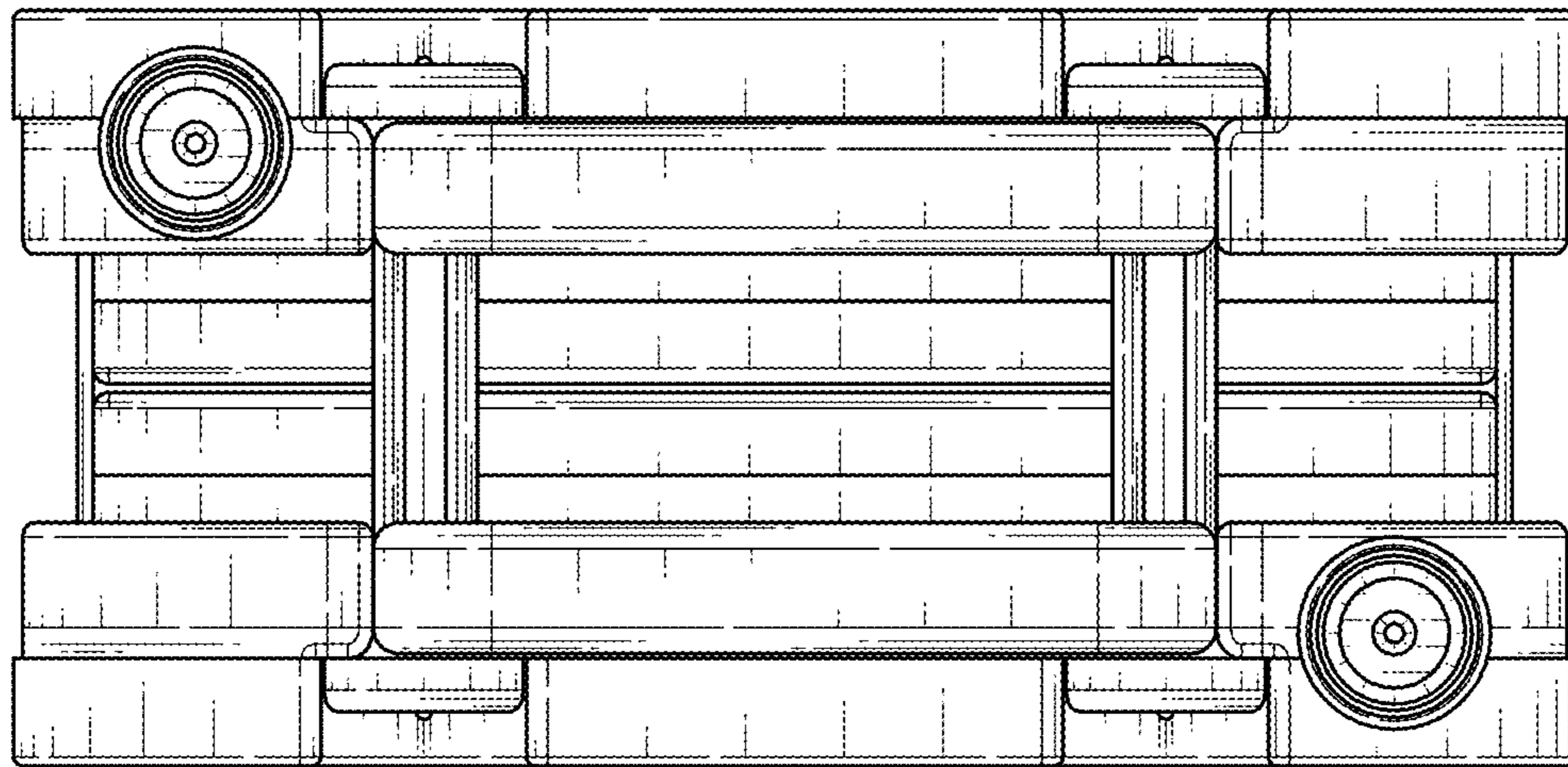


FIG. 4

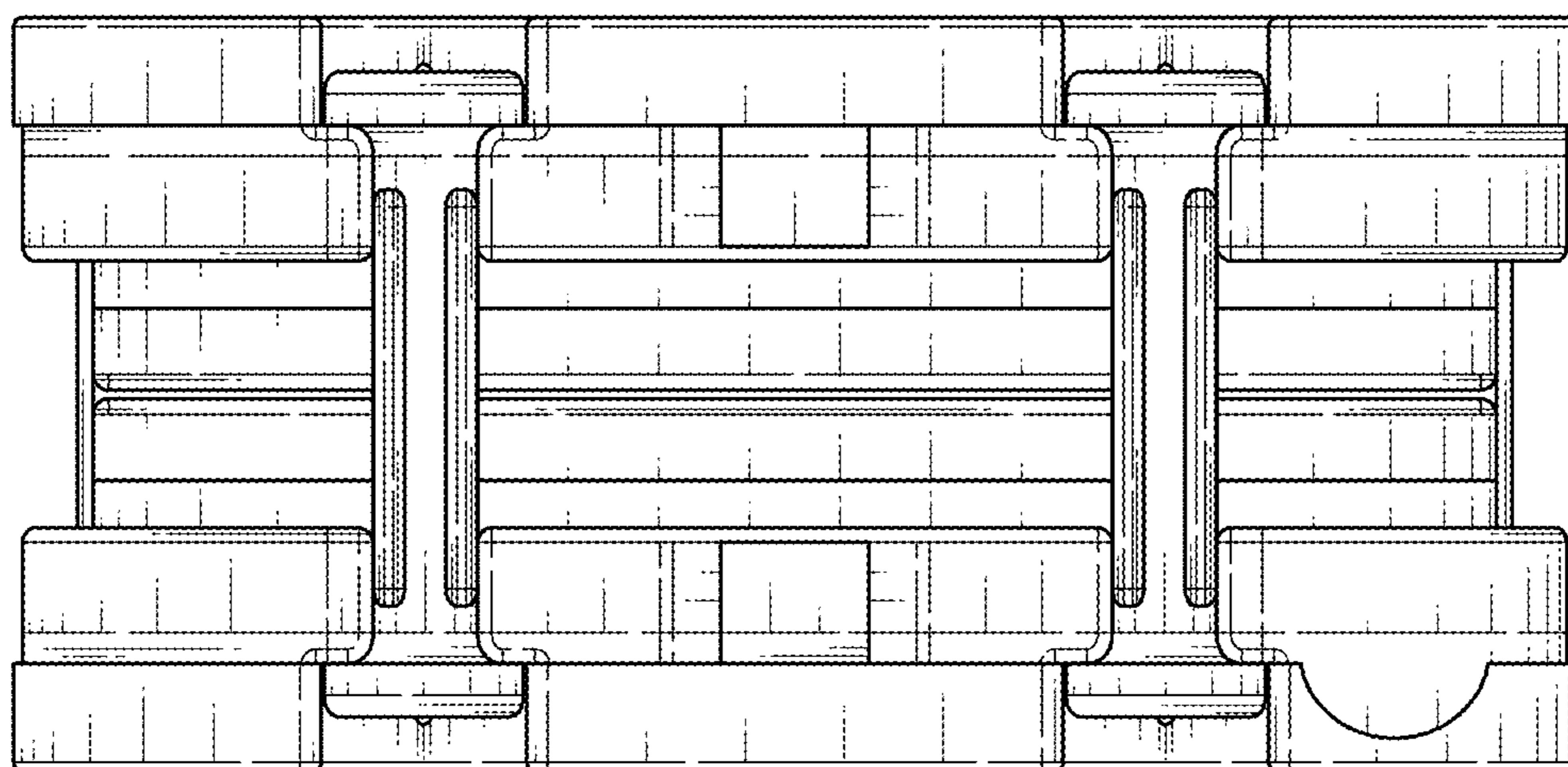


FIG. 5