



US00D951473S

(12) **United States Design Patent** (10) **Patent No.:** **US D951,473 S**  
**Cho** (45) **Date of Patent:** **\*\* May 10, 2022**

(54) **MASSAGER APPLIANCE**

(71) Applicant: **Sae Han Byul Cho**, Seoul (KR)

(72) Inventor: **Sae Han Byul Cho**, Seoul (KR)

(\*\*) Term: **15 Years**

(21) Appl. No.: **35/510,005**

(22) Filed: **Feb. 5, 2020**

(80) **Hague Agreement Data**

Int. Filing Date: **Feb. 5, 2020**

Int. Reg. No.: **DM/209098**

Int. Reg. Date: **Feb. 5, 2020**

Int. Reg. Pub. Date: **Aug. 7, 2020**

(51) **LOC (13) Cl.** ..... **28-03**

(52) **U.S. Cl.**  
USPC ..... **D24/215**

(58) **Field of Classification Search**  
USPC ..... D24/141, 200, 211-13, 215  
CPC ..... A61H 1/0266; A61H 2015/0007; A61H  
2015/0014; A61H 2015/0042; A61H  
2015/0035; A61H 15/00; A61H 7/003;  
A61H 7/005; A61H 7/00; A61H  
2001/027; A61H 11/00; A61H 19/00;  
A61H 19/30; A61H 19/32; A61H 19/34;  
A61H 19/40; A61H 19/44; A61H 19/50;  
A61H 21/00

See application file for complete search history.

(56) **References Cited**

U.S. PATENT DOCUMENTS

2,369,544	A *	2/1945	Dolan .....	A61H 15/00 601/118
D226,875	S *	5/1973	Hayworth, Jr. et al. ....	D24/211
D246,727	S *	12/1977	Holkesvick .....	D24/211
4,493,315	A *	1/1985	Iwahashi .....	A61H 7/001 601/135
D399,569	S *	10/1998	Wier .....	D24/212
D527,830	S *	9/2006	Chien .....	D24/211
D676,140	S *	2/2013	Feightner .....	D24/212
D689,155	S *	9/2013	Jahns .....	D21/692
D702,362	S *	4/2014	Thorne .....	D24/211
D750,841	S *	3/2016	Lewis .....	D28/91.2
D802,782	S *	11/2017	Cross .....	D24/211
D872,198	S *	1/2020	Kim .....	D21/662
D903,890	S *	12/2020	Spratt .....	D24/215
D907,790	S *	1/2021	Kim .....	D24/211

\* cited by examiner

*Primary Examiner* — Michael A. Pratt

(57) **CLAIM**

The ornamental design for a massager appliance, as shown and described.

**DESCRIPTION**

- 1. Massager appliance
- 1.1 : Perspective
- 1.2 : Front
- 1.3 : Top
- 1.4 : Bottom
- 1.5 : Left

**1 Claim, 5 Drawing Sheets**

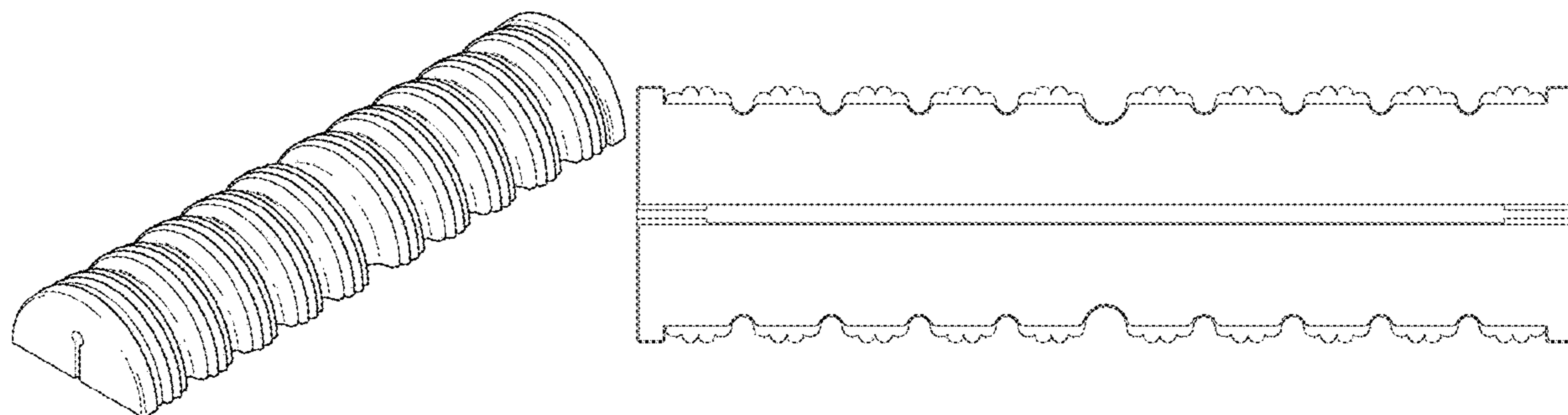


FIG. 1.1

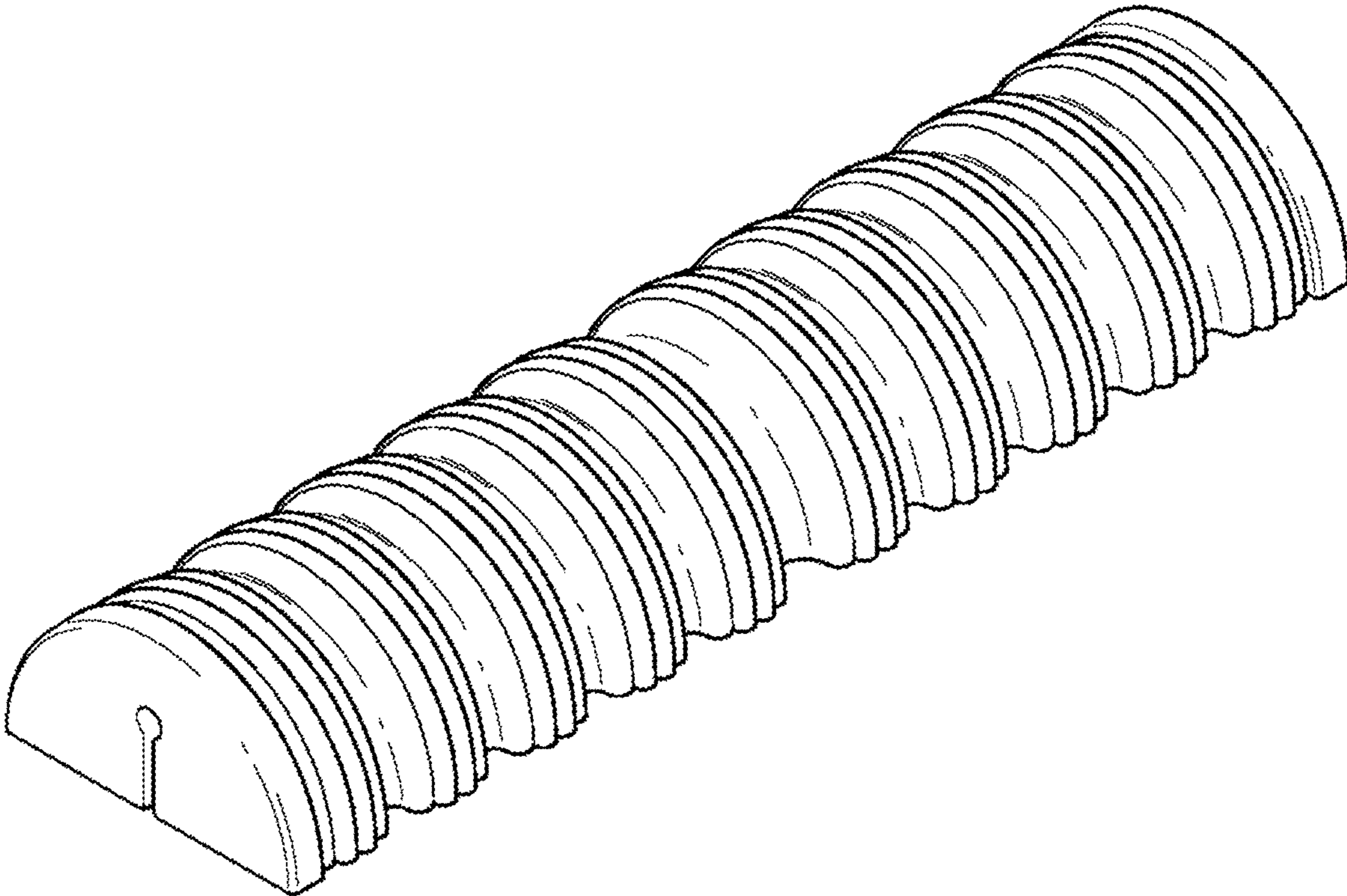
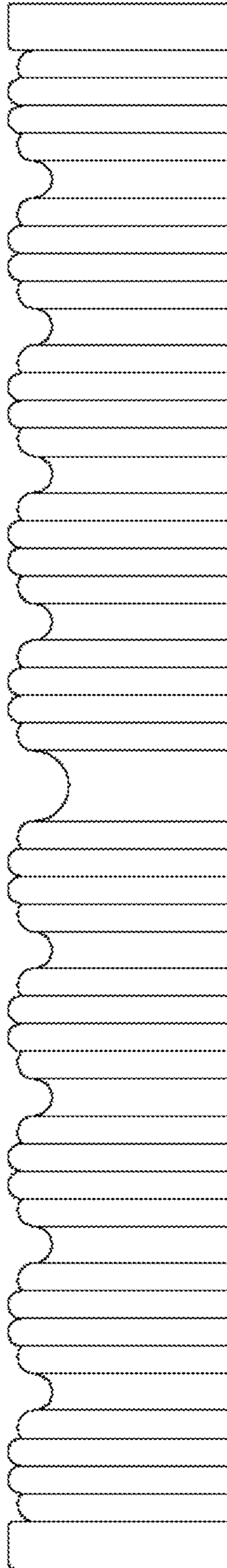


FIG. 1.2



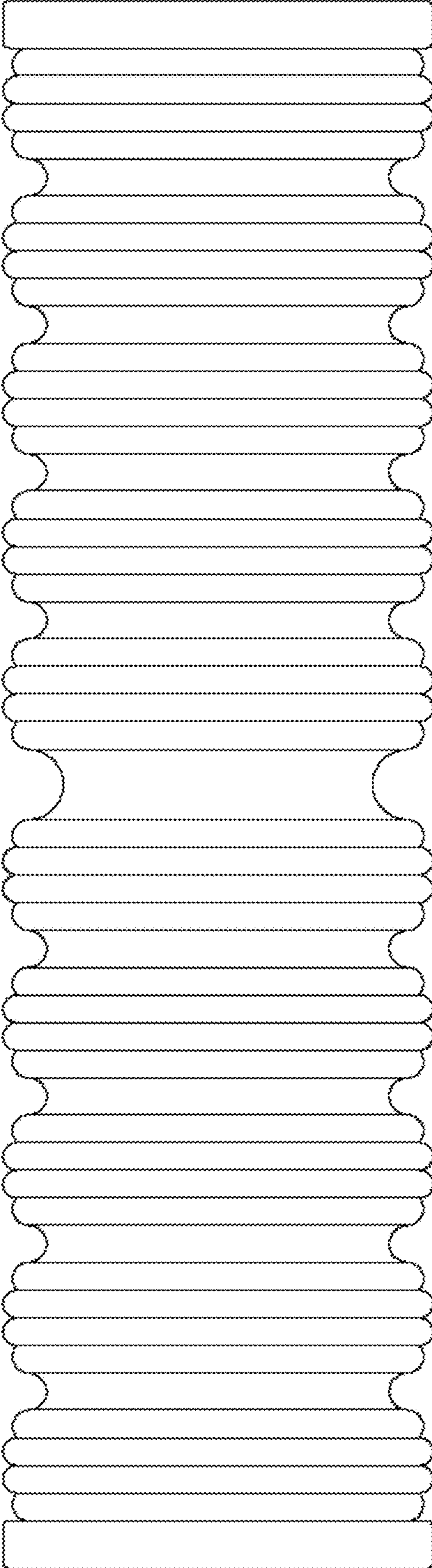
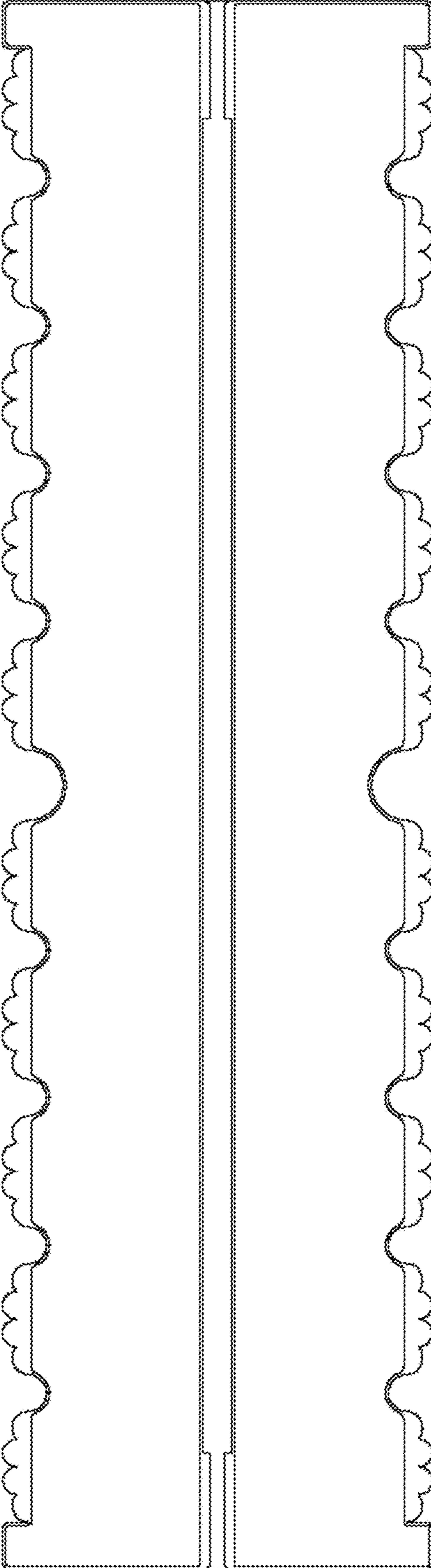


FIG. 1.3

FIG. 1.4



**FIG. 1.5**

