



US00D951471S

(12) **United States Design Patent**
Hu

(10) **Patent No.:** **US D951,471 S**

(45) **Date of Patent:** **** May 10, 2022**

(54) **BASE SUPPORT FOR A MASSAGER**

(71) Applicant: **YouJun Hu**, Shenzhen (CN)

(72) Inventor: **YouJun Hu**, Shenzhen (CN)

(**) Term: **15 Years**

(21) Appl. No.: **29/728,186**

(22) Filed: **Mar. 17, 2020**

(51) **LOC (13) Cl.** **28-03**

(52) **U.S. Cl.**
USPC **D24/215**

(58) **Field of Classification Search**
USPC D21/662, 686, 690, 691, 694, 698;
D24/215; D23/386
CPC A63B 1/00; A63B 22/0046; A63B 21/4033
See application file for complete search history.

(56) **References Cited**

U.S. PATENT DOCUMENTS

D355,001 S *	1/1995	Koblick	D21/686
D407,479 S *	3/1999	Sternberg, Sr.	D23/386
D453,543 S *	2/2002	Cutler	D21/694
D453,948 S *	2/2002	Cutler	D21/694
D471,605 S *	3/2003	Teff	D21/662
D519,172 S *	4/2006	Penat	D21/671
D582,486 S *	12/2008	Ashida	D14/434
D605,233 S *	12/2009	Ashida	D14/434
D610,638 S *	2/2010	Friess	A63B 21/4043
			D21/686
D622,787 S *	8/2010	Masterson	D21/668
D623,244 S *	9/2010	Hoffman	D21/668
D633,158 S *	2/2011	Bruschke	D21/686

D730,456 S *	5/2015	Mahoney	D21/671
D746,386 S *	12/2015	Mahoney	D21/671
D768,793 S *	10/2016	Goldberg	D21/690
D810,965 S *	2/2018	Whiteley	D25/133
9,931,540 B1 *	4/2018	Lazar	A63B 26/003
D831,373 S *	10/2018	Wilson	D6/406.3
D836,688 S *	12/2018	Chang	D15/141
D849,857 S *	5/2019	Tartell	D21/688
D851,187 S *	6/2019	Leier	D21/694
D915,531 S *	4/2021	Dunahay	D21/671
D930,093 S *	9/2021	Lyu	D21/686
D934,451 S *	10/2021	Jury	D25/66
D935,128 S *	11/2021	Giemza	D34/32

* cited by examiner

Primary Examiner — Michael A Maharajh

(74) *Attorney, Agent, or Firm* — Rumit Ranjit Kanakia

(57) **CLAIM**

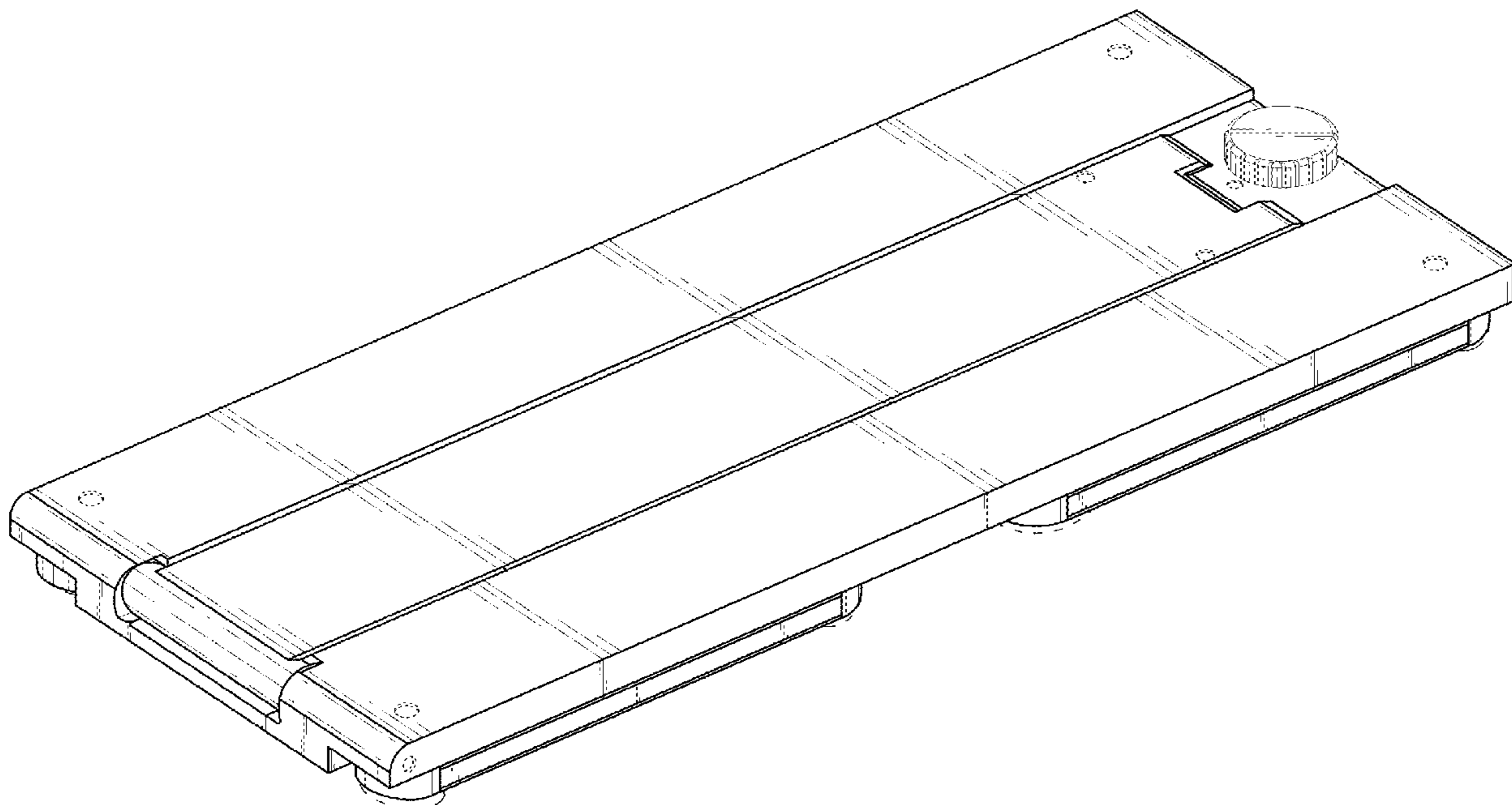
The ornamental design for a base support for a massager, as shown and described.

DESCRIPTION

FIG. 1 is a Perspective view of a base support for a massager showing my new design;
FIG. 2 is a left side view thereof;
FIG. 3 is a right-side view thereof;
FIG. 4 is a top view thereof;
FIG. 5 is a bottom view thereof;
FIG. 6 is a front view thereof;
FIG. 7 is a back view thereof; and,
FIG. 8 is a perspective view shown in an alternate configuration thereof.

The broken lines in the drawings depict portions of the article that form no part of the claimed design.

1 Claim, 7 Drawing Sheets



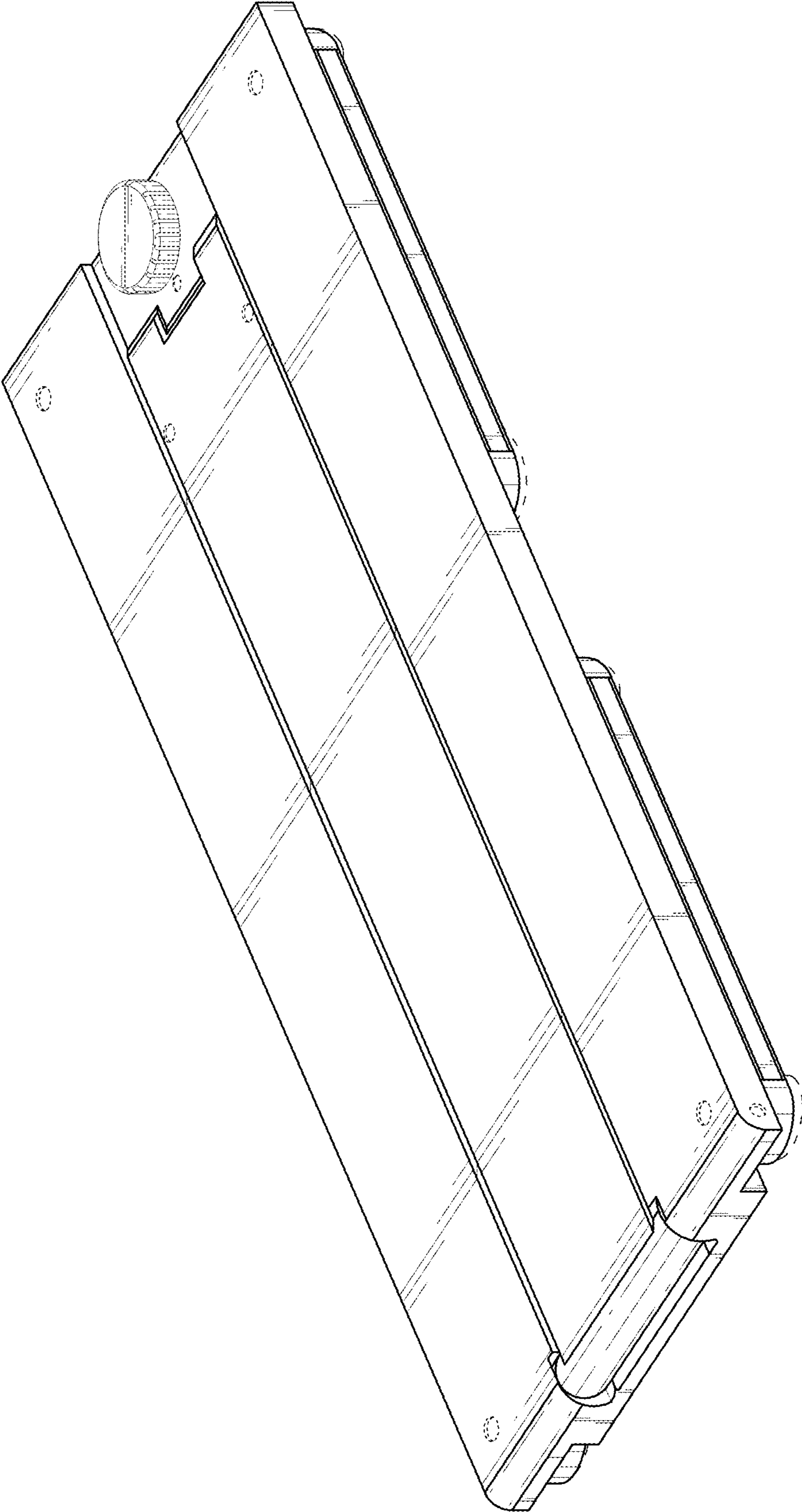


FIG. 1

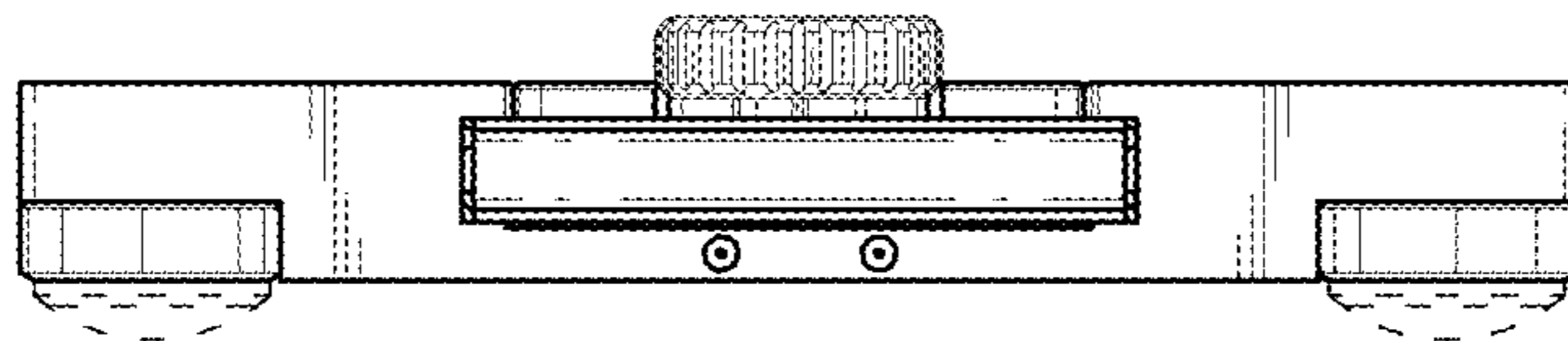


FIG. 2

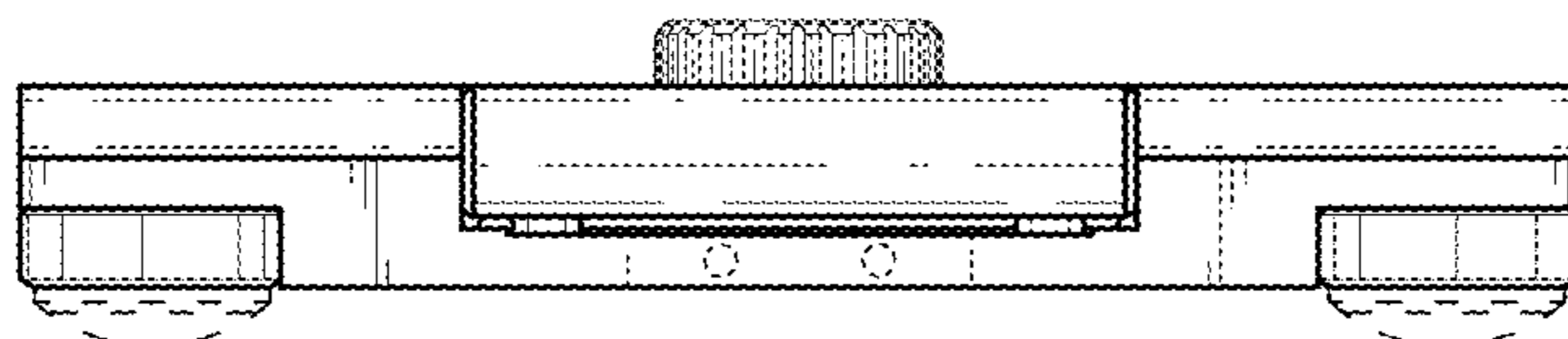


FIG. 3

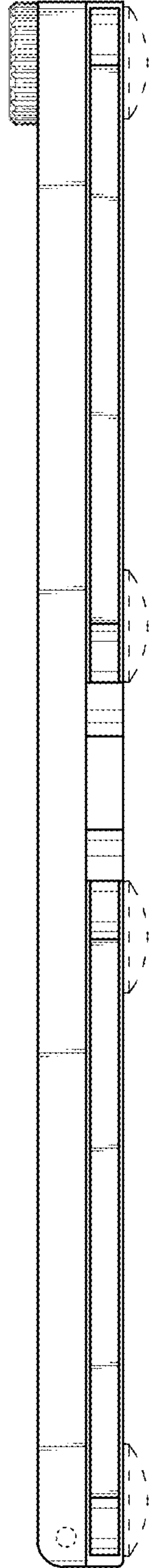


FIG. 4

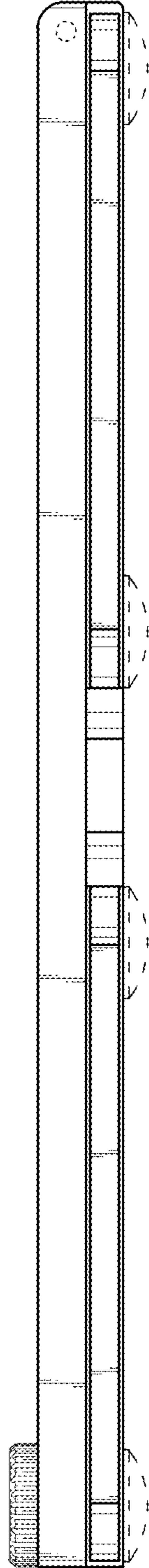


FIG. 5

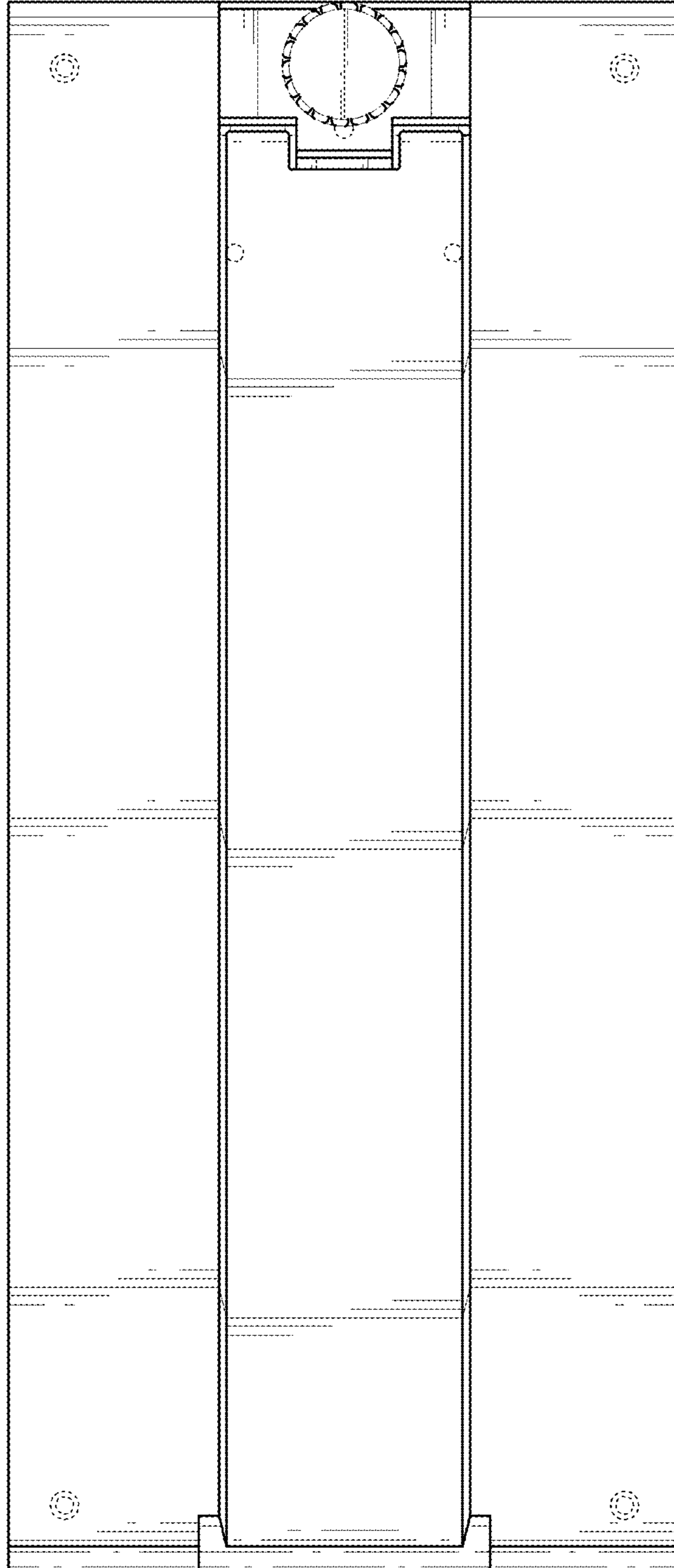


FIG. 6

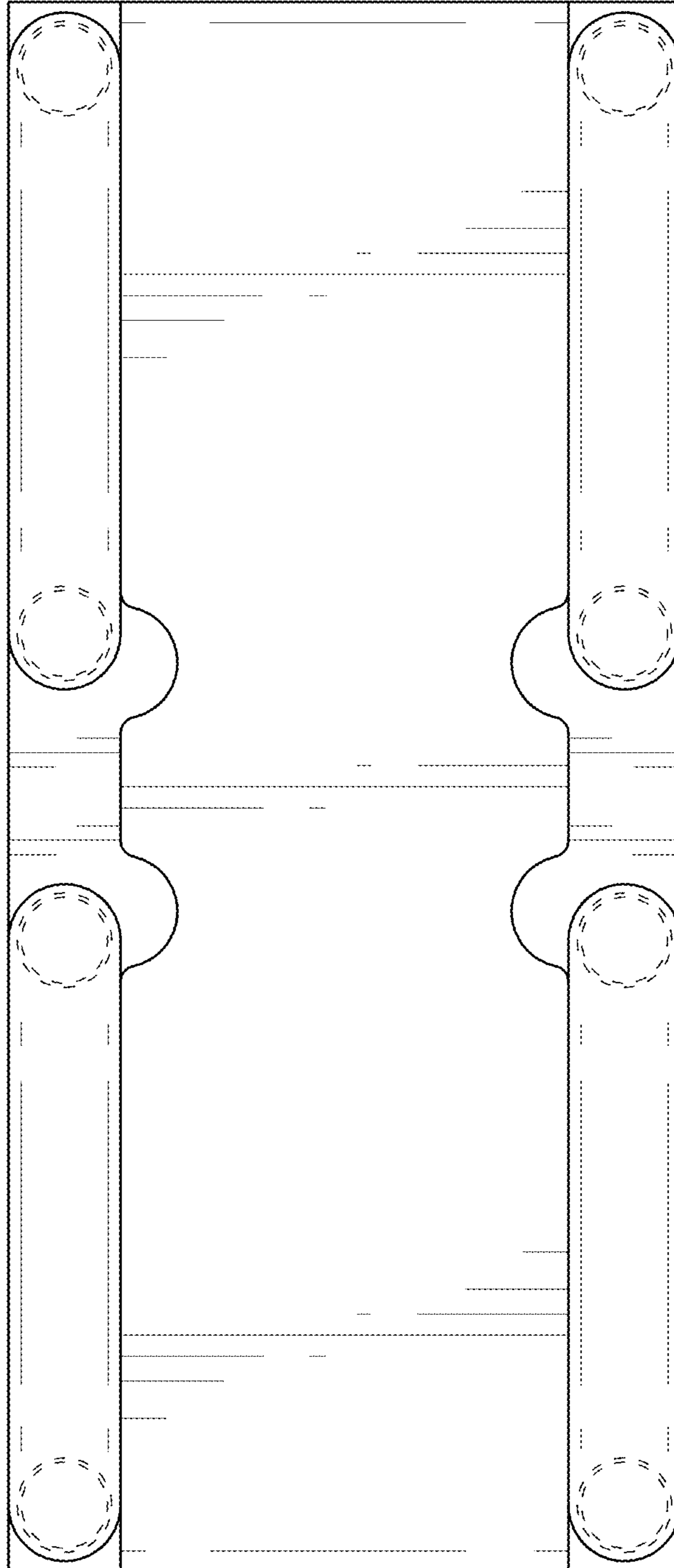


FIG. 7

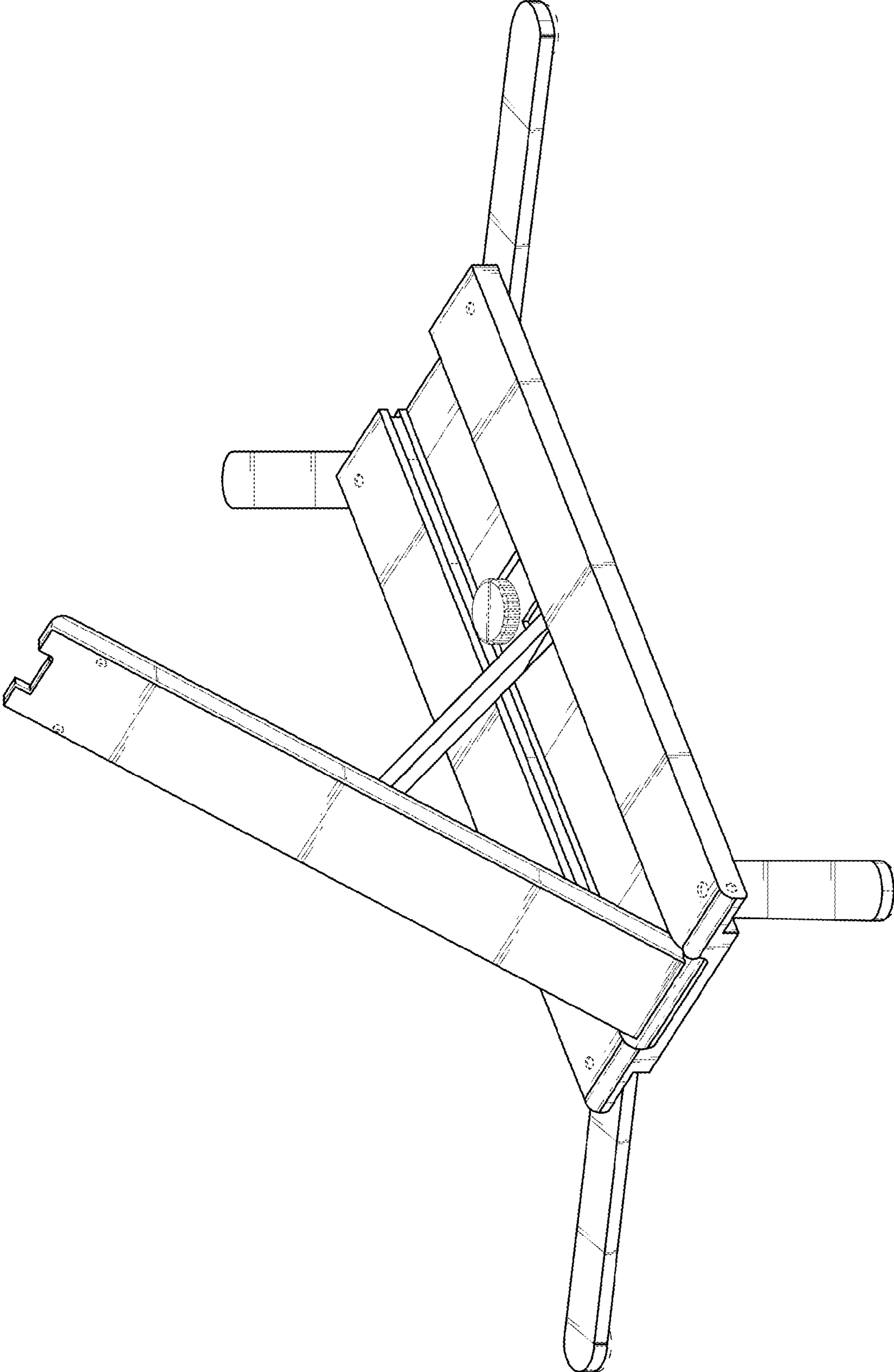


FIG. 8