



US00D951470S

(12) **United States Design Patent**
Wersland et al.

(10) **Patent No.:** **US D951,470 S**
(45) **Date of Patent:** **** May 10, 2022**

- (54) **VIBRATION MASSAGE DEVICE**
- (71) Applicant: **Theragun, LLC**, Beverly Hills, CA (US)
- (72) Inventors: **Jason Wersland**, Manhattan Beach, CA (US); **Benjamin Nazarian**, Beverly Hills, CA (US); **Jaime Sanchez Solana**, Los Angeles, CA (US); **Eduardo Merino**, Beverly Hills, CA (US); **Trent Hernandez**, Los Angeles, CA (US)
- (73) Assignee: **THERABODY, INC.**, Los Angeles, CA (US)
- (**) Term: **15 Years**
- (21) Appl. No.: **29/708,815**
- (22) Filed: **Oct. 9, 2019**
- (51) **LOC (13) Cl.** **24-01**
- (52) **U.S. Cl.**
USPC **D24/215**
- (58) **Field of Classification Search**
USPC D24/200, 133, 186, 187, 206, 209–211, D24/214, 215, 165–168; D8/107, D8/310–312
CPC A61H 2201/0153; A61H 2201/0157; A61H 2201/1253; A61H 23/00; A61H 23/004; A61H 23/006; A61H 23/02; A61H 23/04; A61H 1/008
See application file for complete search history.

- 11,160,723 B2 * 11/2021 Wersland A61H 1/006
- 2013/0074307 A1 * 3/2013 Da Silva A61B 17/54 29/428
- 2013/0085556 A1 * 4/2013 Gillespie A45D 34/04 607/114
- 2020/0352821 A1 * 11/2020 Wersland A61H 23/006
- 2022/0047451 A1 * 2/2022 Wersland A61H 1/00

OTHER PUBLICATIONS

Theragun Mini—All-New 4th Generation Portable Muscle Treatment Massage Gun by TheraGun. Amazon. Oldest review date: Jun. 1, 2020. Retrieval date: Oct. 13, 2021. Retrieved from internet: <https://www.amazon.com/Theragun-Mini-Generation-Portable-Treatment/dp/B086Z6LNVS> (Year: 2020).*

* cited by examiner

Primary Examiner — Lilyana Bekic

Assistant Examiner — Lee D. Starr

(74) *Attorney, Agent, or Firm* — Jeffer Mangels Butler & Mitchell LLP; Brennan C. Swain, Esq.

(57) **CLAIM**

The ornamental design for a vibration massage device, as shown and described.

DESCRIPTION

FIG. 1 is a perspective view of the vibration massage device, showing our new design;
FIG. 2 is a front elevational view thereof;
FIG. 3 is a rear elevational view thereof;
FIG. 4 is a right side elevational view thereof;
FIG. 5 is a left side elevational view thereof;
FIG. 6 is a top plan view thereof;
FIG. 7 is a bottom plan view thereof; and,
FIG. 8 is a cross-sectional view taken along line 8-8 of FIG. 2.

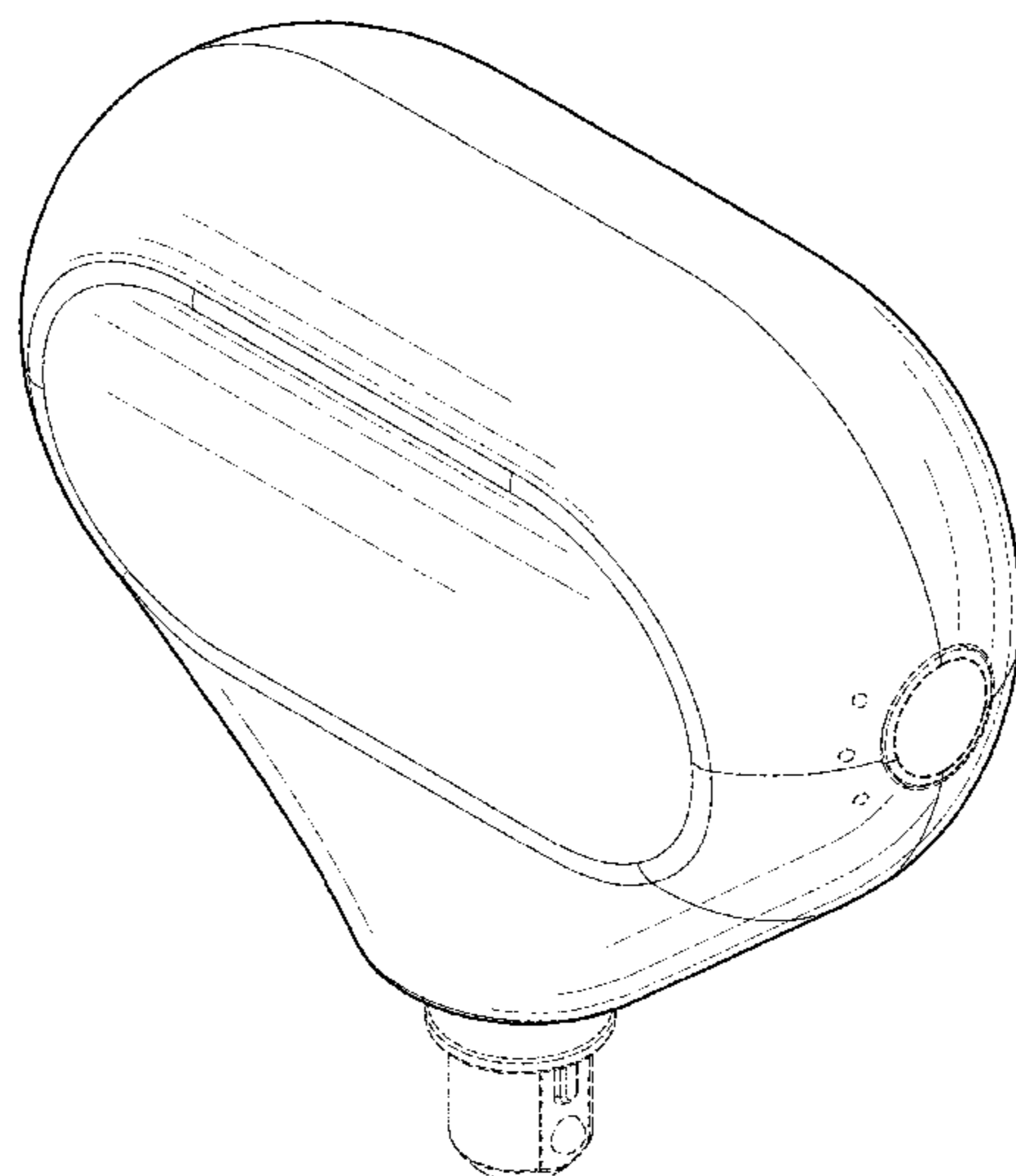
The broken lines in the drawings depict portions of the vibration massage device that form no part of the claimed design.

1 Claim, 6 Drawing Sheets

(56) **References Cited**

U.S. PATENT DOCUMENTS

- D696,411 S * 12/2013 Imboden D24/215
- D727,523 S * 4/2015 Qian D24/215
- D810,680 S * 2/2018 Carreon D13/108
- D812,237 S * 3/2018 Cole D24/200
- D879,986 S * 3/2020 Wersland D24/214
- D882,105 S * 4/2020 Lee D24/215
- D927,719 S * 8/2021 Meissner D24/215
- D932,040 S * 9/2021 Sedic D24/215



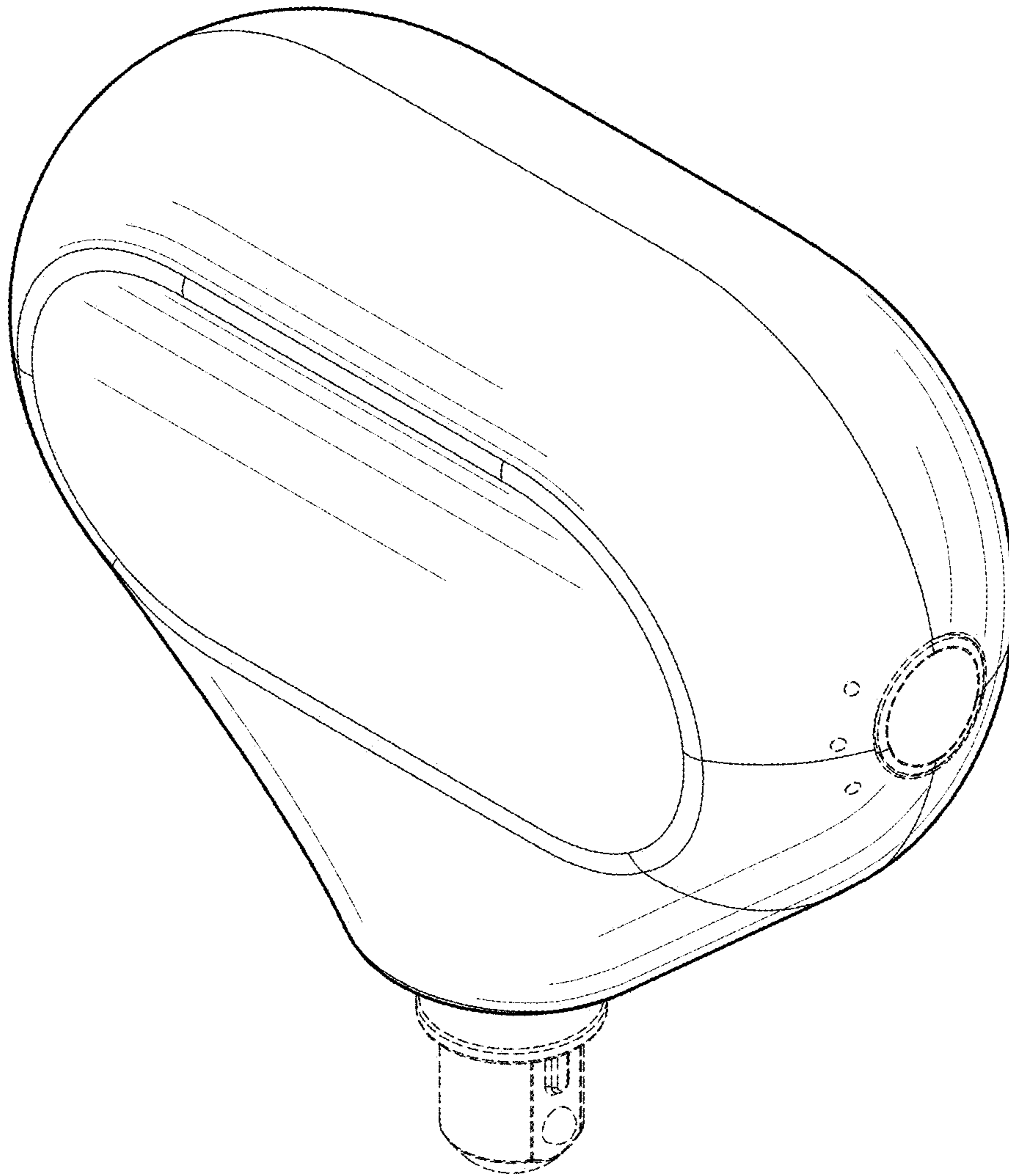


FIG. 1

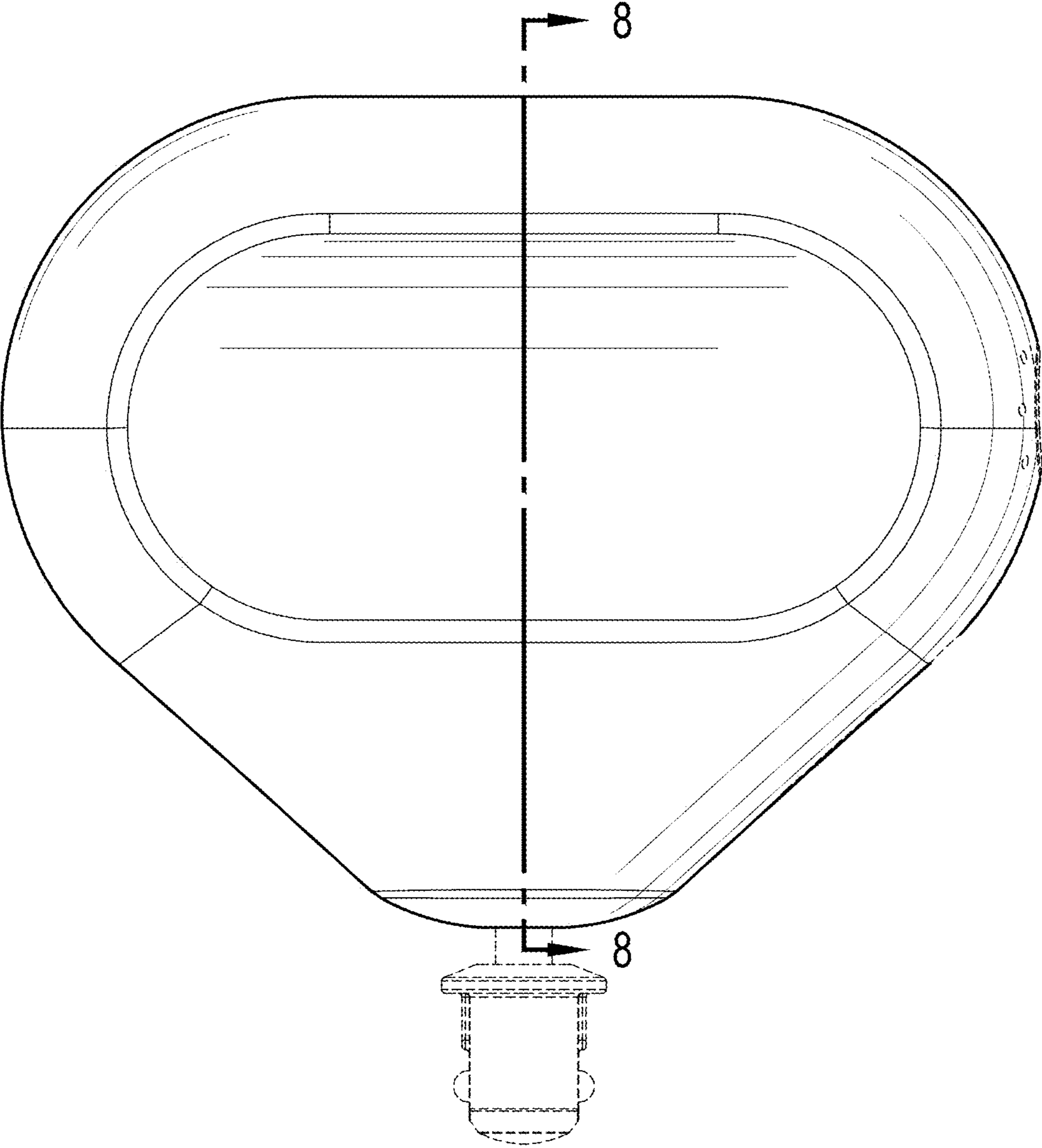


FIG. 2

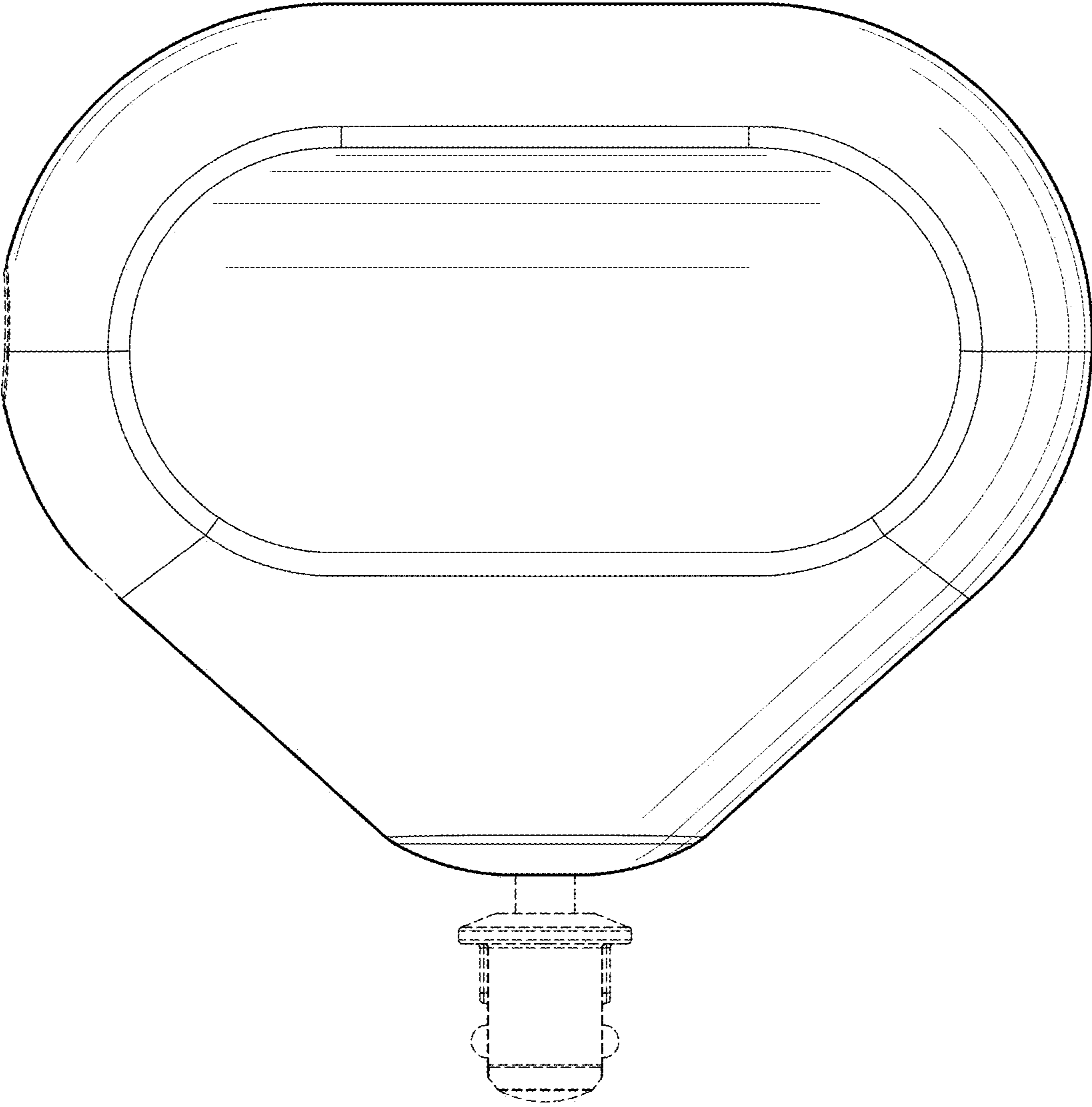


FIG. 3

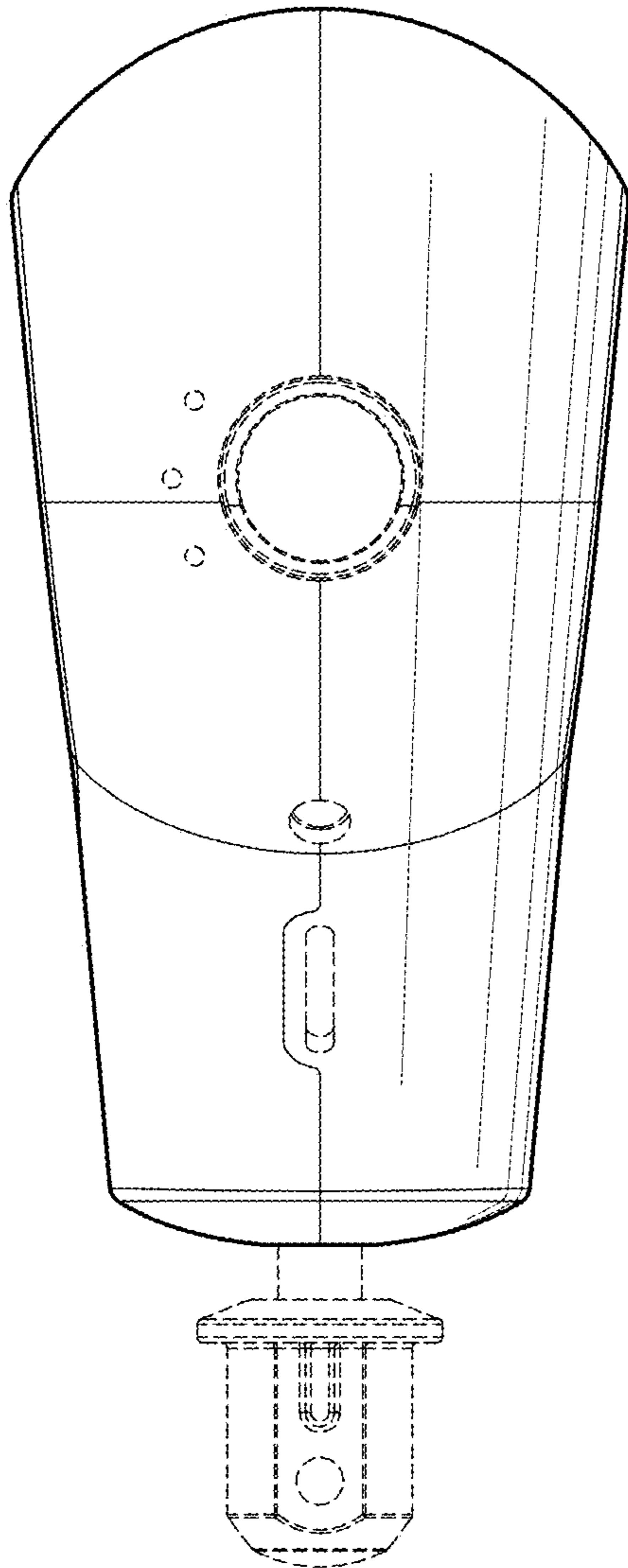


FIG. 4

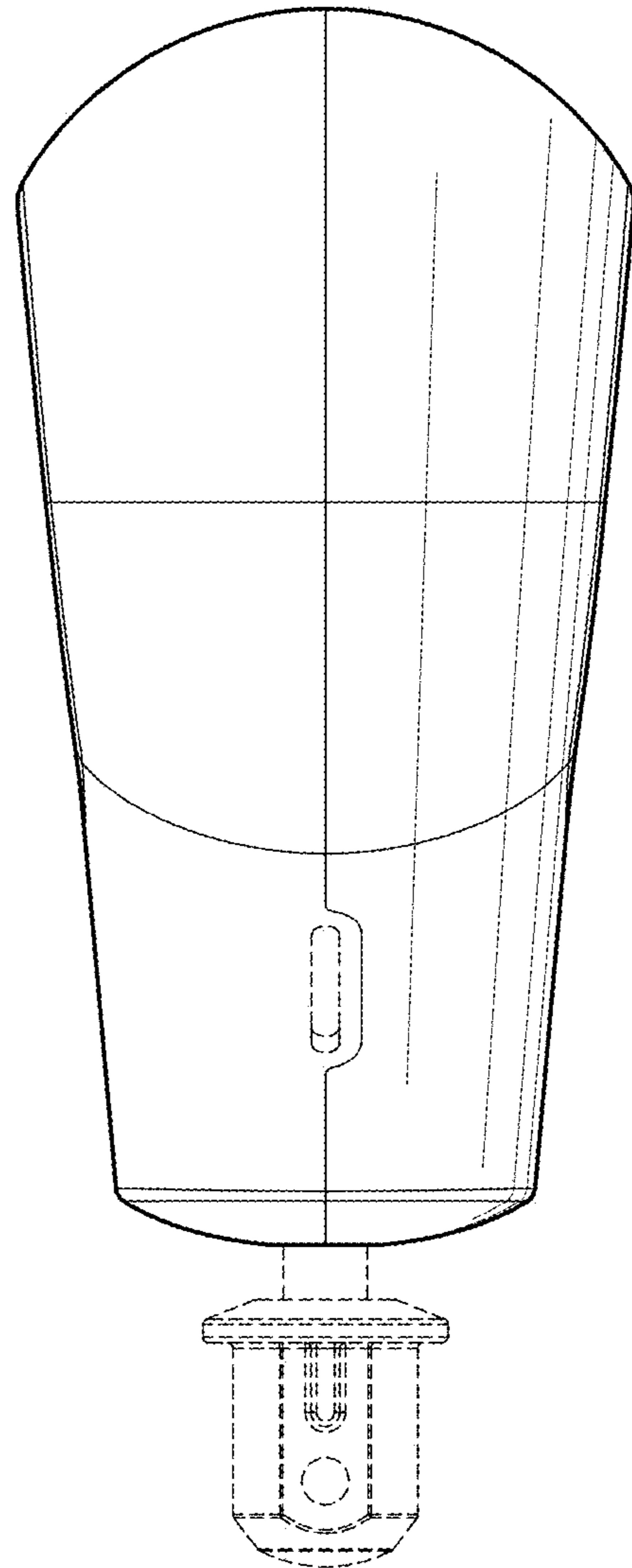


FIG. 5

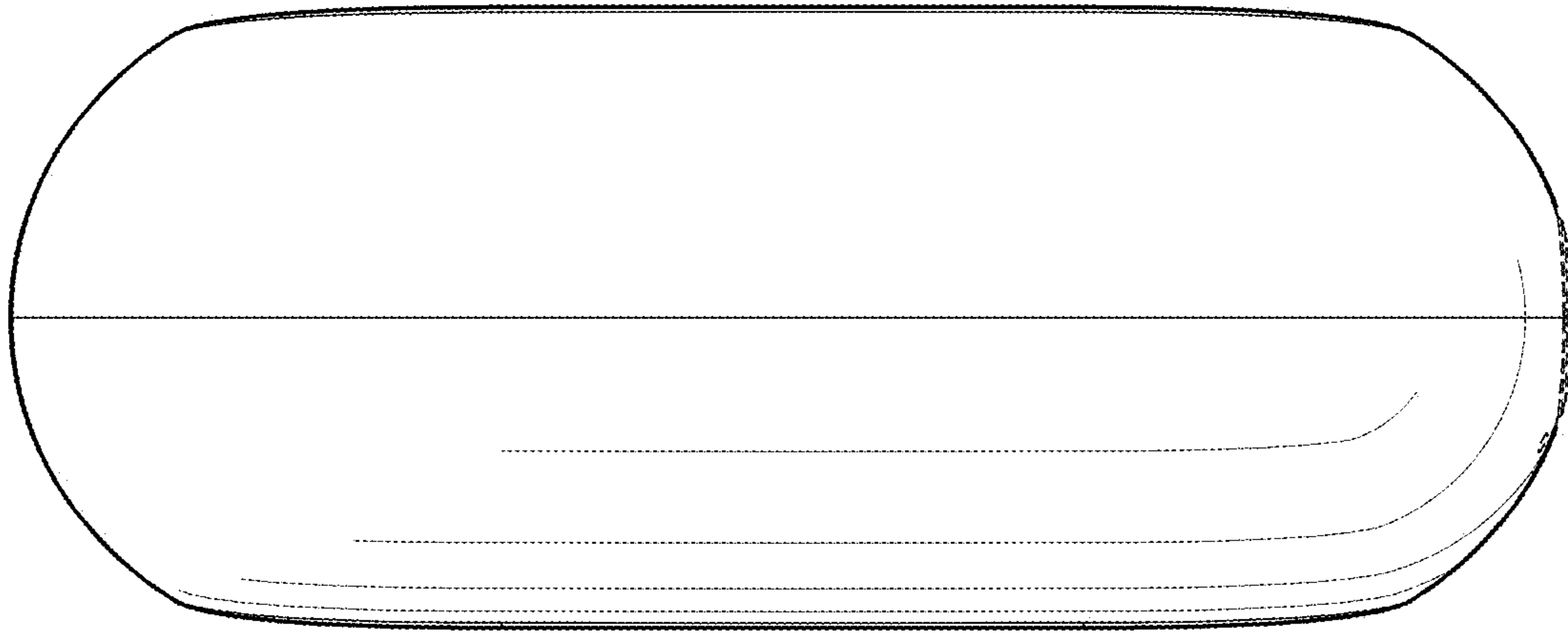


FIG. 6

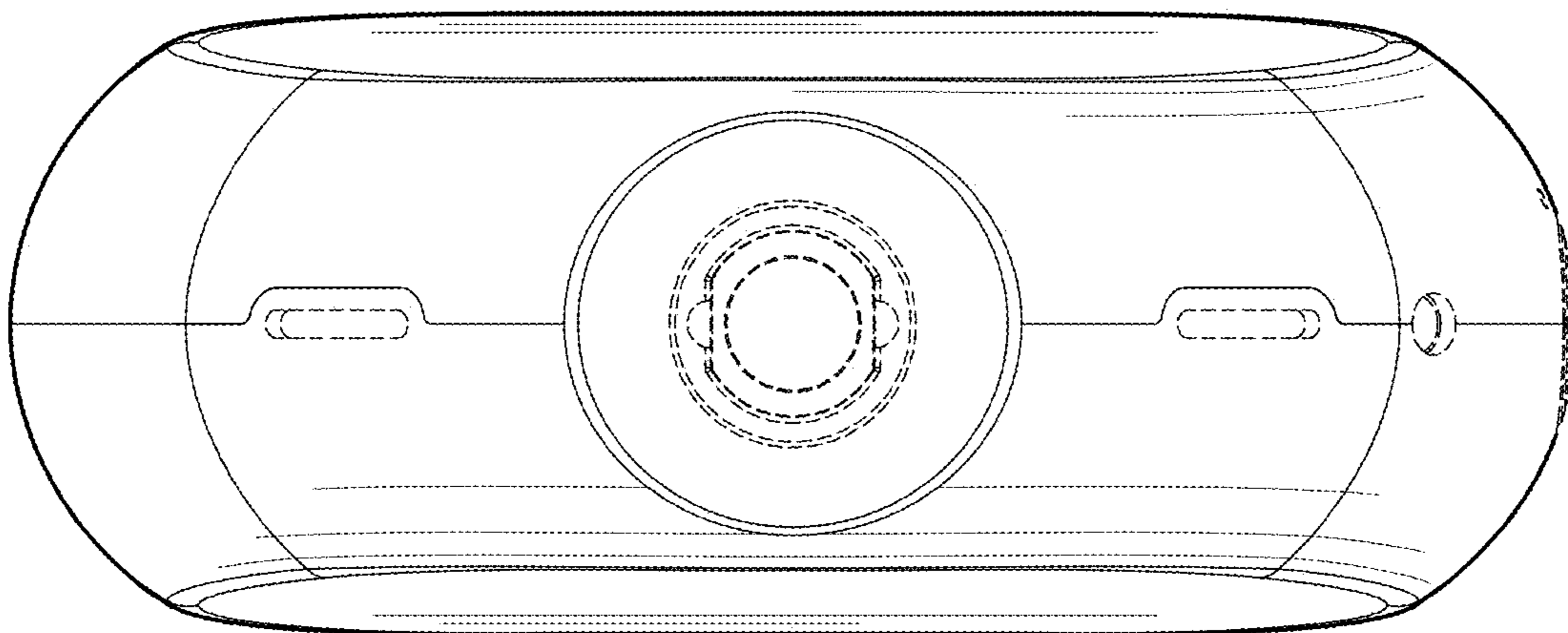


FIG. 7

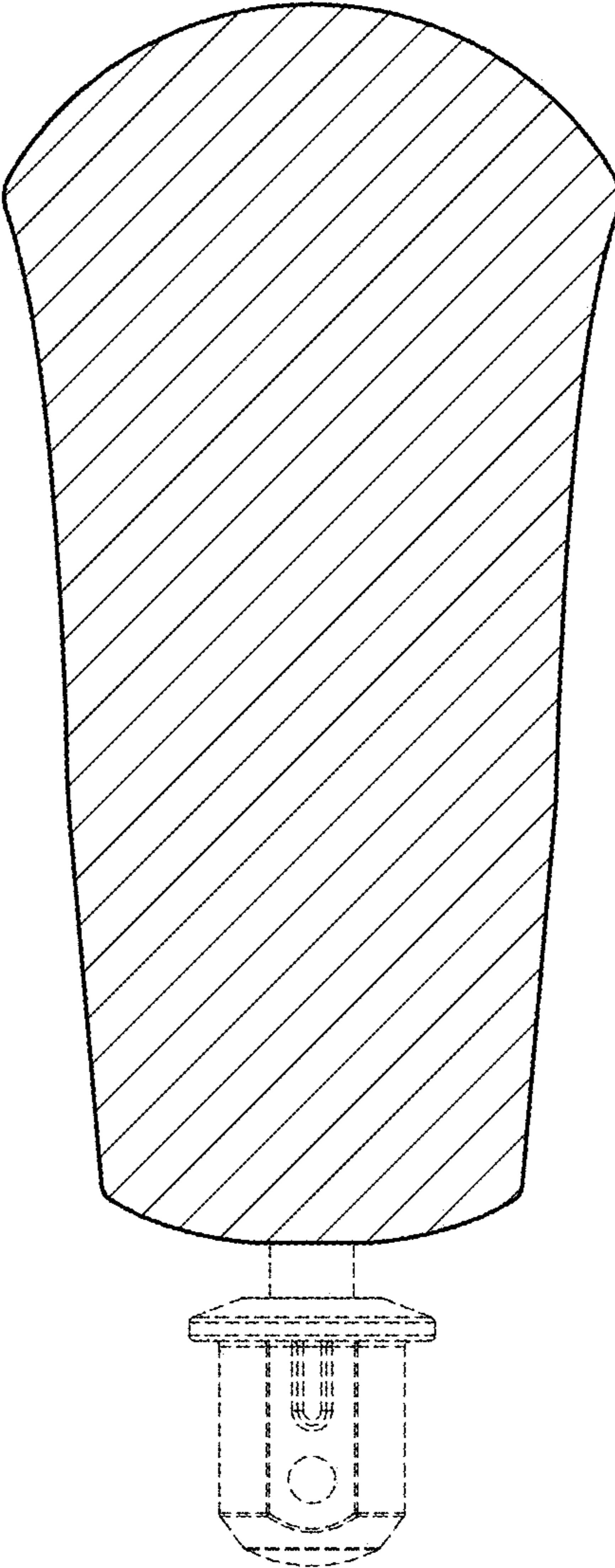


FIG. 8