



US00D951463S

(12) **United States Design Patent**
Hardcastle et al.

(10) **Patent No.:** **US D951,463 S**
(45) **Date of Patent:** **** May 10, 2022**

(54) **CERVICAL BRACE**

- (71) Applicant: **CERVICAL CHINUP PTY LTD**,
Cottesloe (AU)
- (72) Inventors: **Philip Hobson Hardcastle**, Cottesloe
(AU); **Matthew Peter Oldakowski**,
Cottesloe (AU); **Intan Camellia**
Watono Oldakowska, Cottesloe (AU);
Brandon Jin Siew Liew, Cottesloe
(AU)
- (73) Assignee: **CERVICAL CHINUP PTY LTD**,
Cottesloe (AU)

(**) Term: **15 Years**

(21) Appl. No.: **29/672,284**

(22) Filed: **Dec. 4, 2018**

(51) **LOC (13) Cl.** **24-02**

(52) **U.S. Cl.**
USPC **D24/191**

(58) **Field of Classification Search**
USPC D24/183, 188, 190, 191, 192, 171, 184
CPC A61F 5/055; A61F 5/56; A61B 5/1077
See application file for complete search history.

(56) **References Cited**

U.S. PATENT DOCUMENTS

3,177,869	A *	4/1965	Bartels	A61F 5/055 602/18
D542,919	S *	5/2007	Leatt	D24/191
D592,310	S *	5/2009	Leatt	D24/191
D605,300	S *	12/2009	Mazzarolo	D24/191
D633,214	S *	2/2011	Smits	D24/190
D635,270	S *	3/2011	Chiang	D24/192
D649,649	S *	11/2011	Leatt	D24/191
D862,679	S *	10/2019	Zhou	D23/380
10,709,358	B2 *	7/2020	Aarestad	A61F 5/055
D905,252	S *	12/2020	Schikorr	D24/188
2015/0245940	A1 *	9/2015	Hardcastle	A63B 21/4025 602/18

(Continued)

OTHER PUBLICATIONS

Headmaster Collar. Online, published date unknown. Retrieved on Jan. 20, 2020 from URL: <https://www.necksolutions.com/product/headmaster-collar/>.*

(Continued)

Primary Examiner — Omeed Agilee
(74) *Attorney, Agent, or Firm* — K&L Gates LLP

(57) **CLAIM**

The ornamental design for a cervical brace, as shown and described.

DESCRIPTION

FIG. 1 is a rear right perspective view of a cervical brace of the present invention with the chin bridge in a closed condition;

FIG. 2 is a front left perspective view thereof;

FIG. 3 is a bottom view thereof;

FIG. 4 is a top view thereof;

FIG. 5 is a rear elevation view thereof;

FIG. 6 is a front elevation view thereof;

FIG. 7 is a left elevation view thereof;

FIG. 8 is a rear right perspective view of the cervical brace of the present invention with the chin bridge in an open condition;

FIG. 9 is a front left perspective view thereof;

FIG. 10 is a front elevation view thereof;

FIG. 11 is a rear elevation view thereof;

FIG. 12 is a right elevation view thereof;

FIG. 13 is a left elevation view thereof;

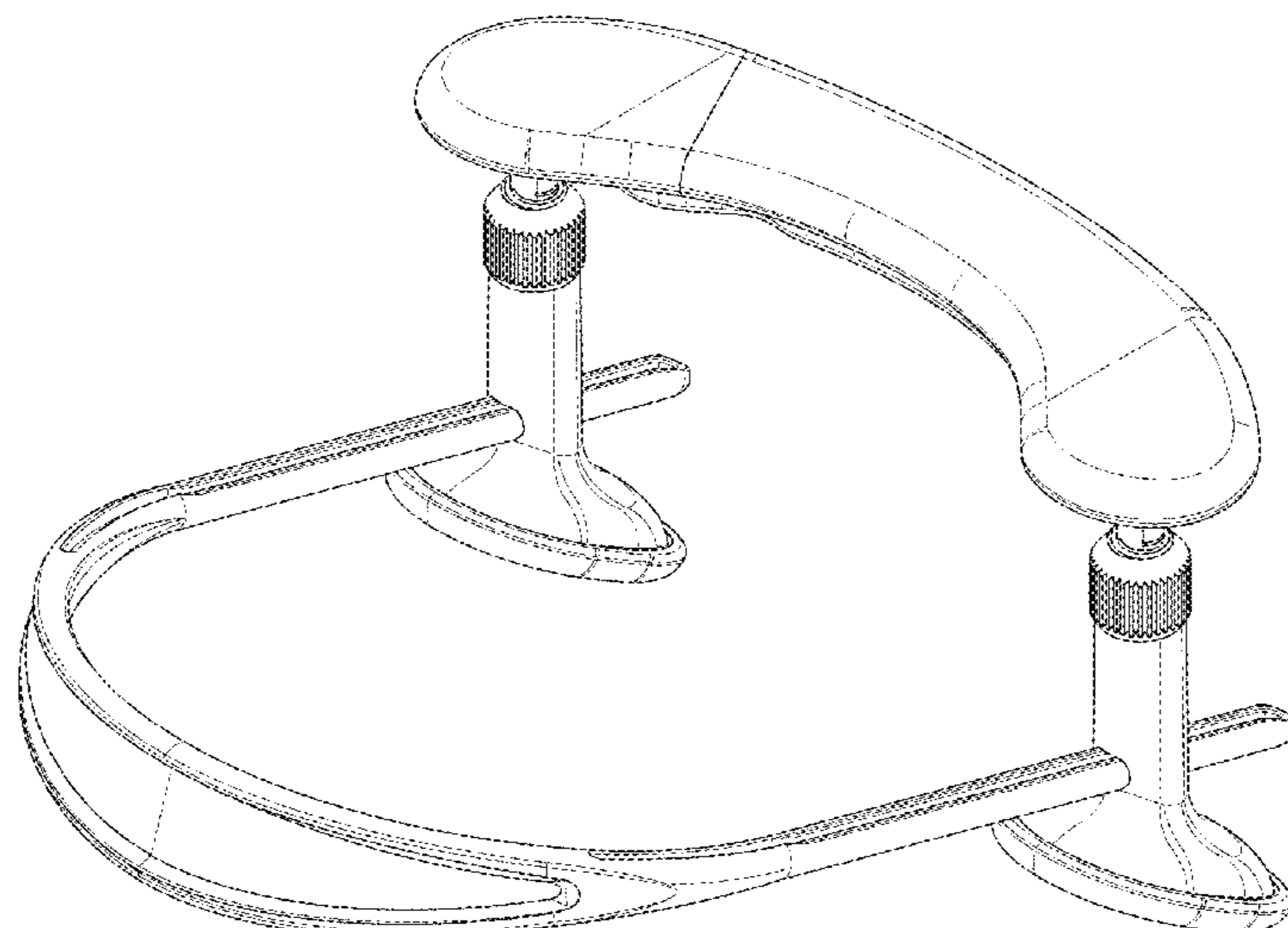
FIG. 14 is a bottom view thereof;

FIG. 15 is a top view thereof; and,

FIG. 16 is an exploded perspective view thereof.

The broken lines illustrate portions of the cervical brace that form no part of the claimed design.

1 Claim, 16 Drawing Sheets



(56)

References Cited

U.S. PATENT DOCUMENTS

2018/0140455 A1* 5/2018 Chao A61F 5/055
2018/0177435 A1* 6/2018 Aarestad A61F 5/055
2019/0201277 A1* 7/2019 Graham A61F 5/055
2021/0007876 A1* 1/2021 Kim A61F 5/055

OTHER PUBLICATIONS

ChinUp—How To Wear (Eng Sub). Online, published date Apr. 3, 2019. Retrieved on Jul. 25, 2021 from URL: <https://www.youtube.com/watch?v=73RTERsZFcY>.*

* cited by examiner

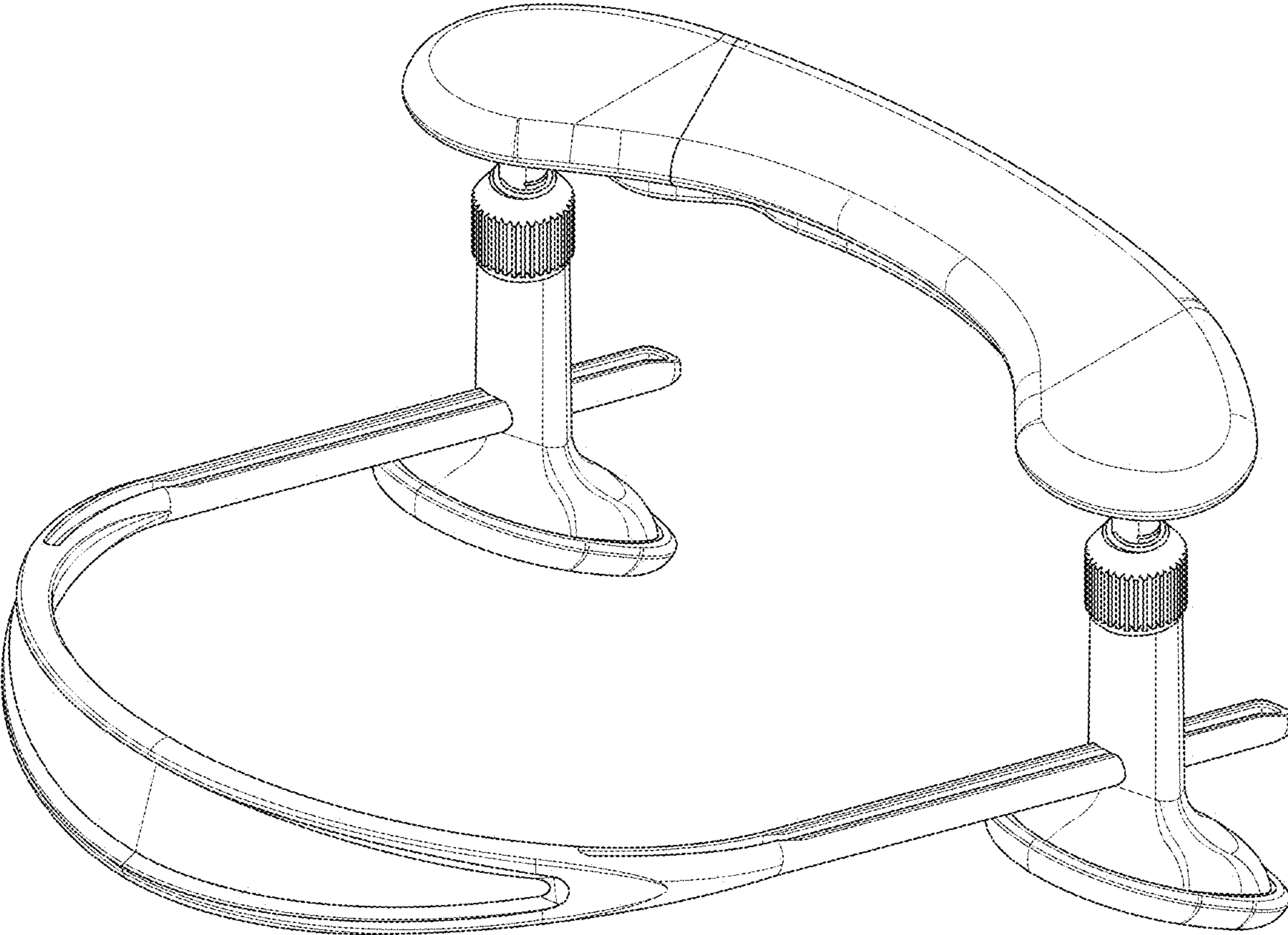


FIG. 1

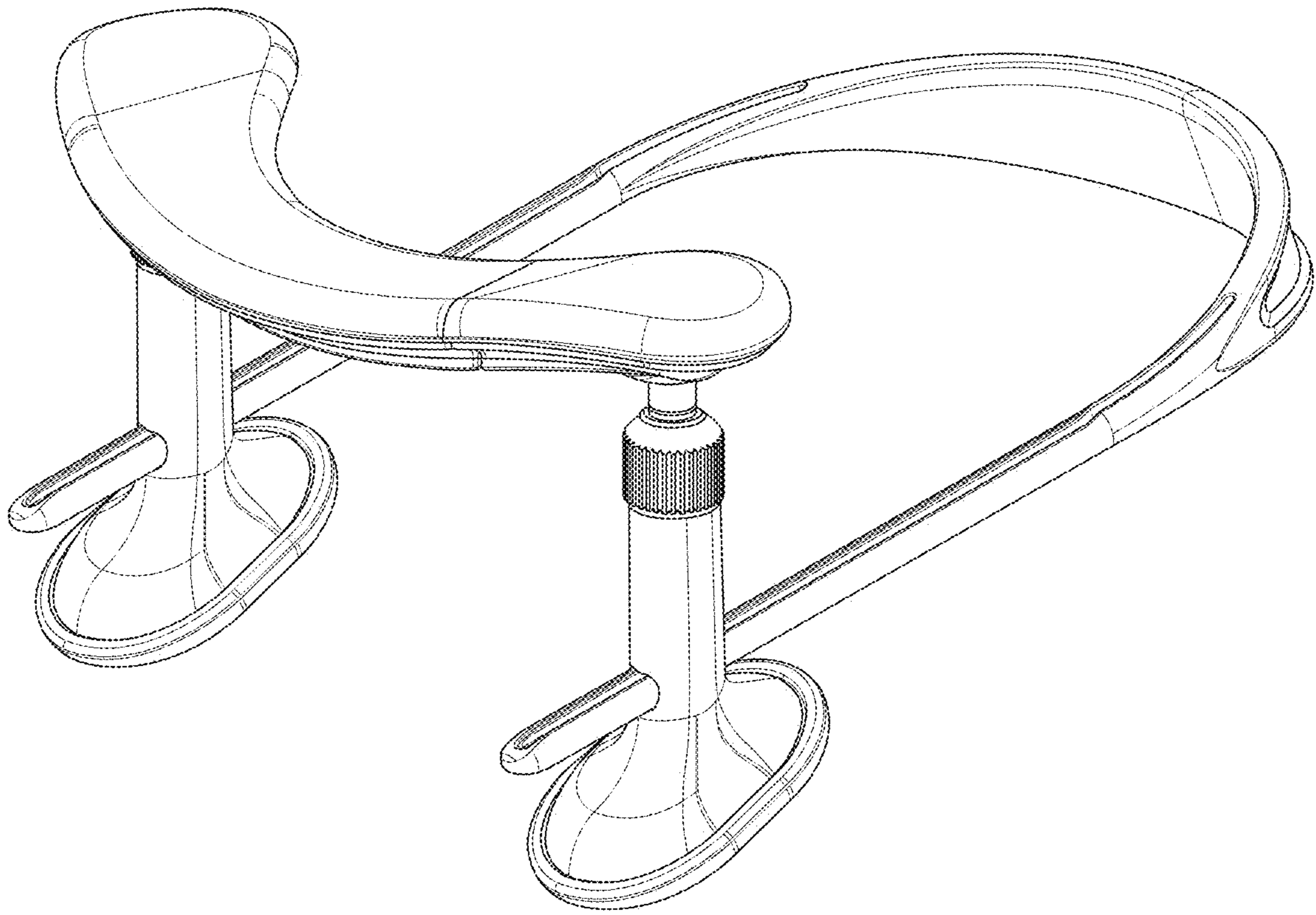


FIG. 2

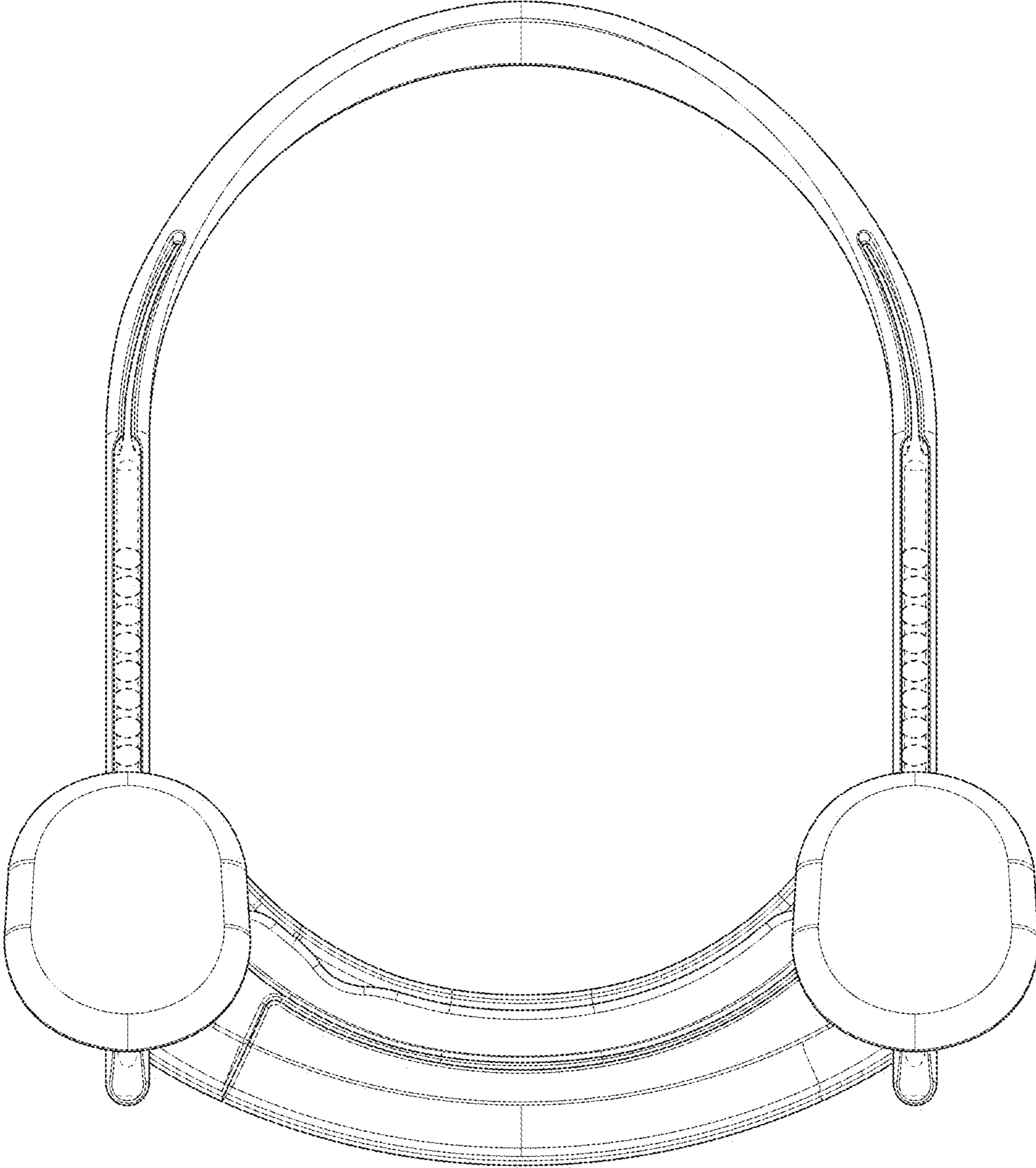


FIG. 3

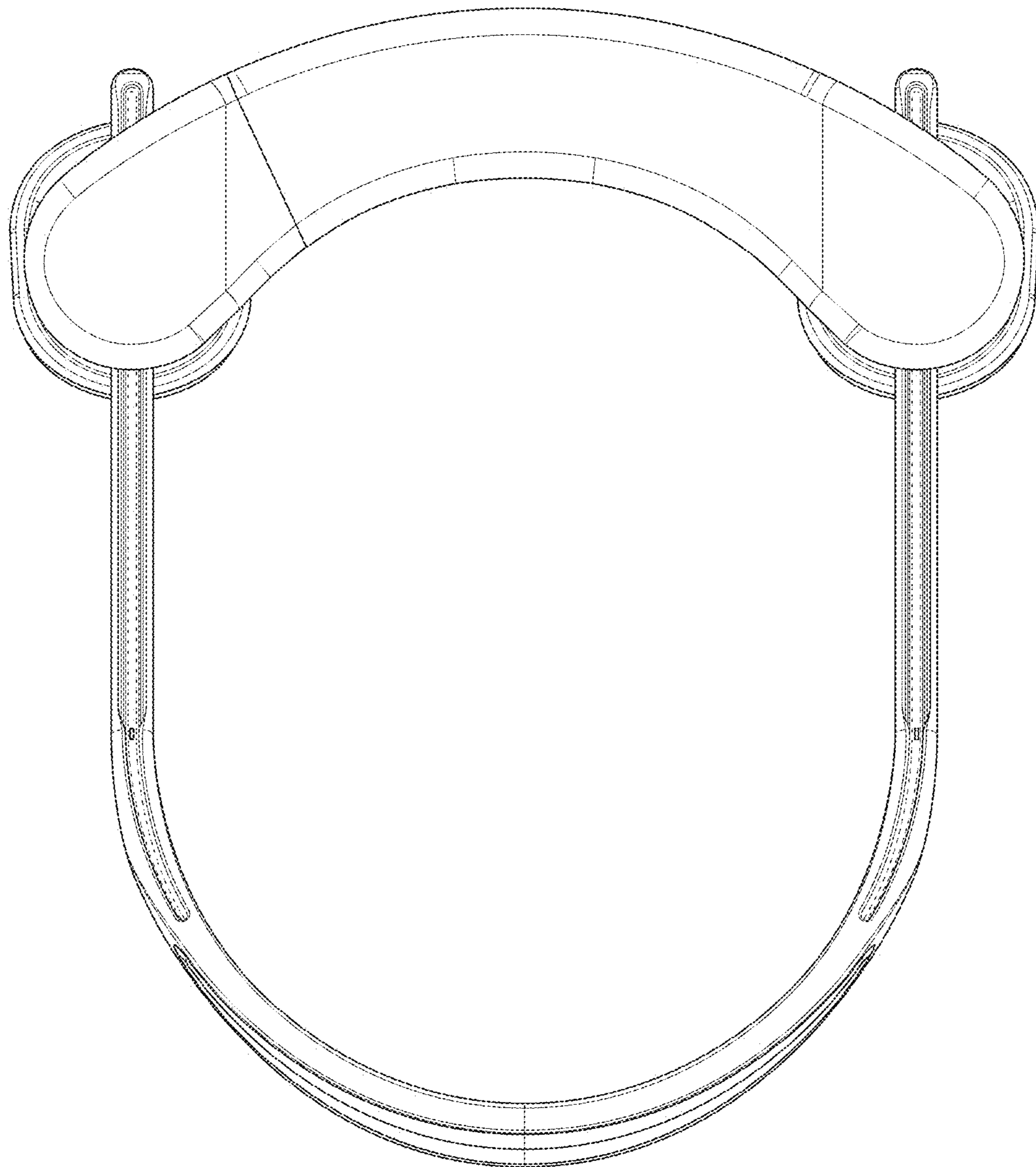


FIG. 4

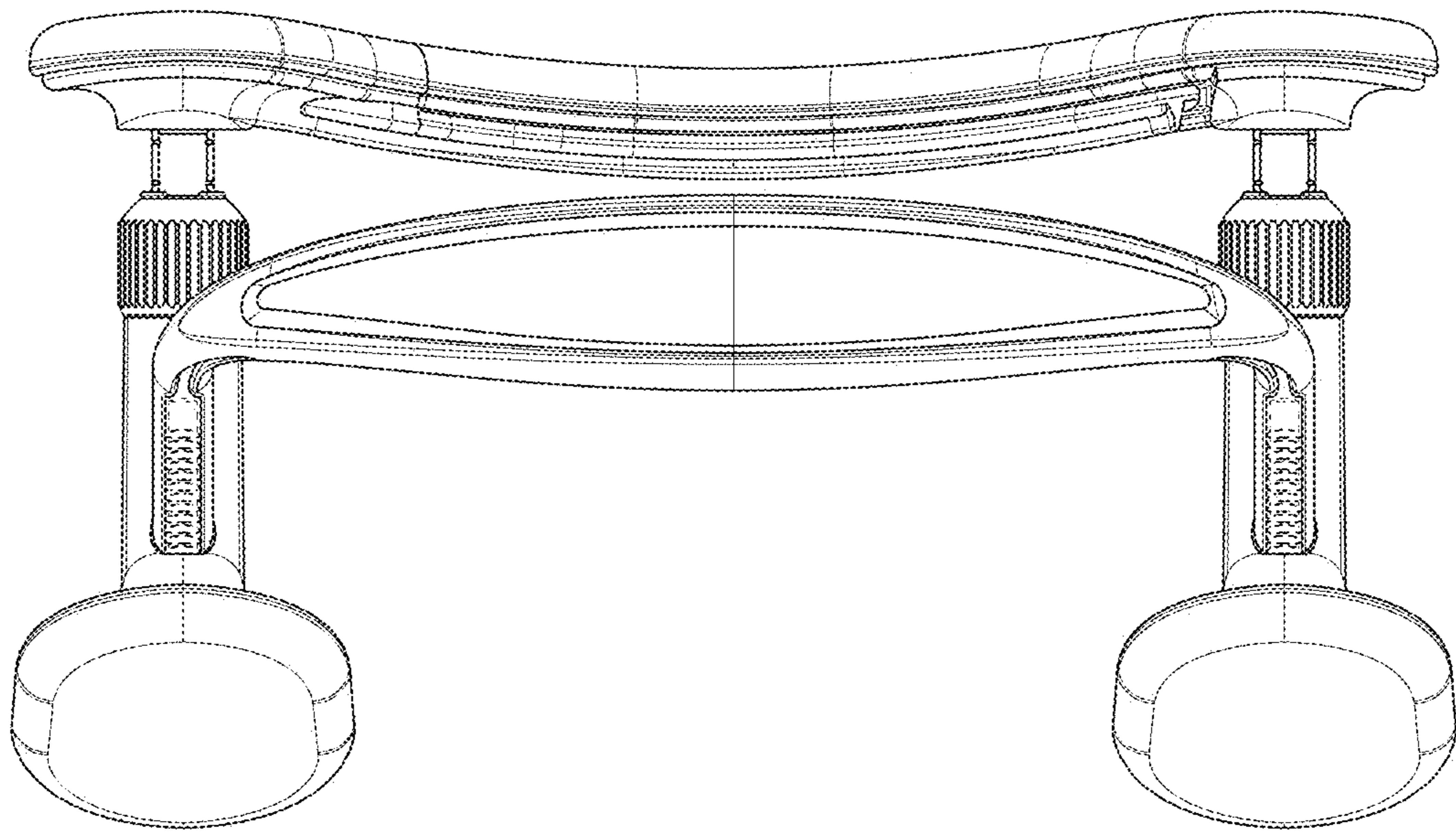


FIG. 5

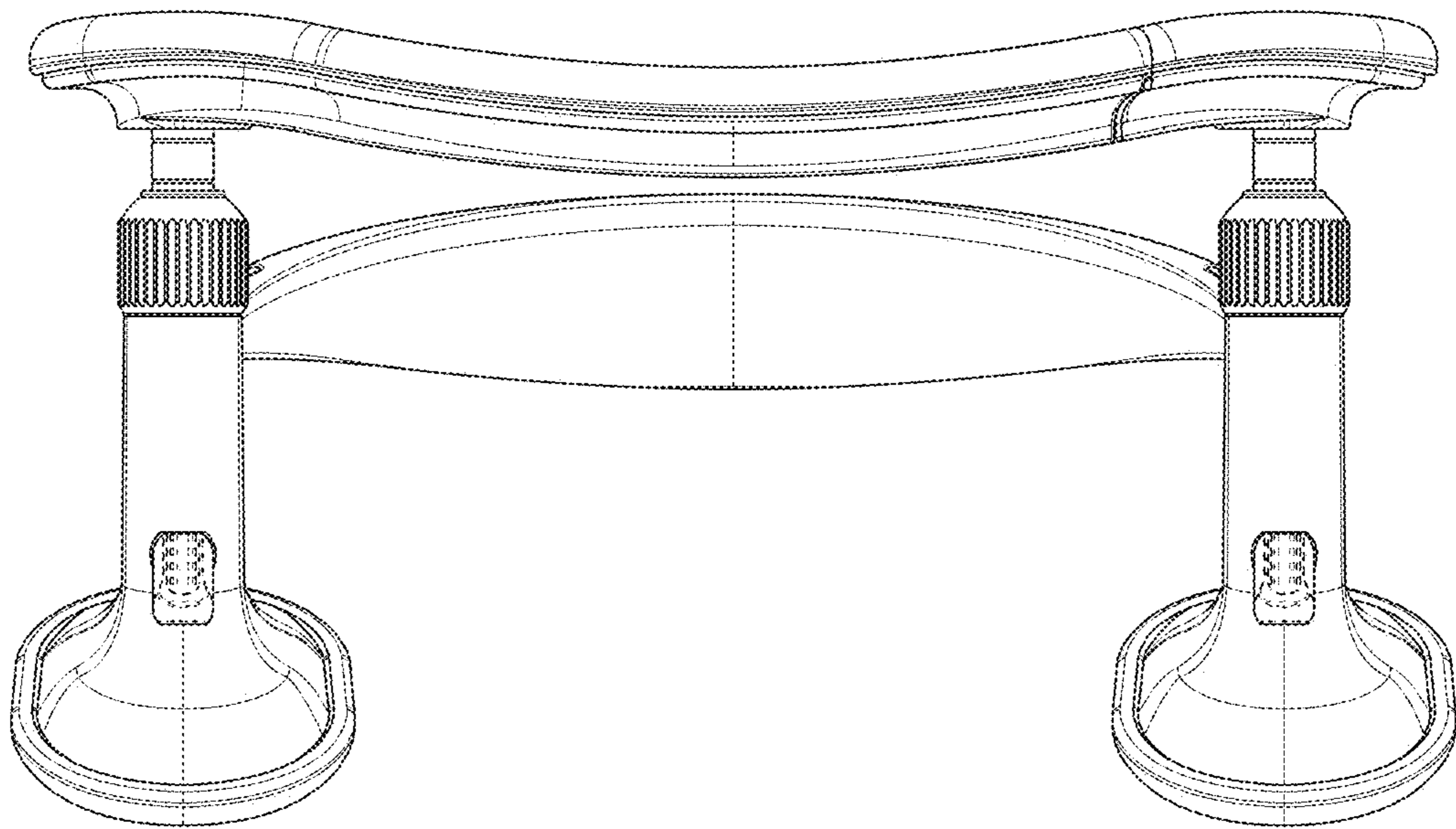


FIG. 6

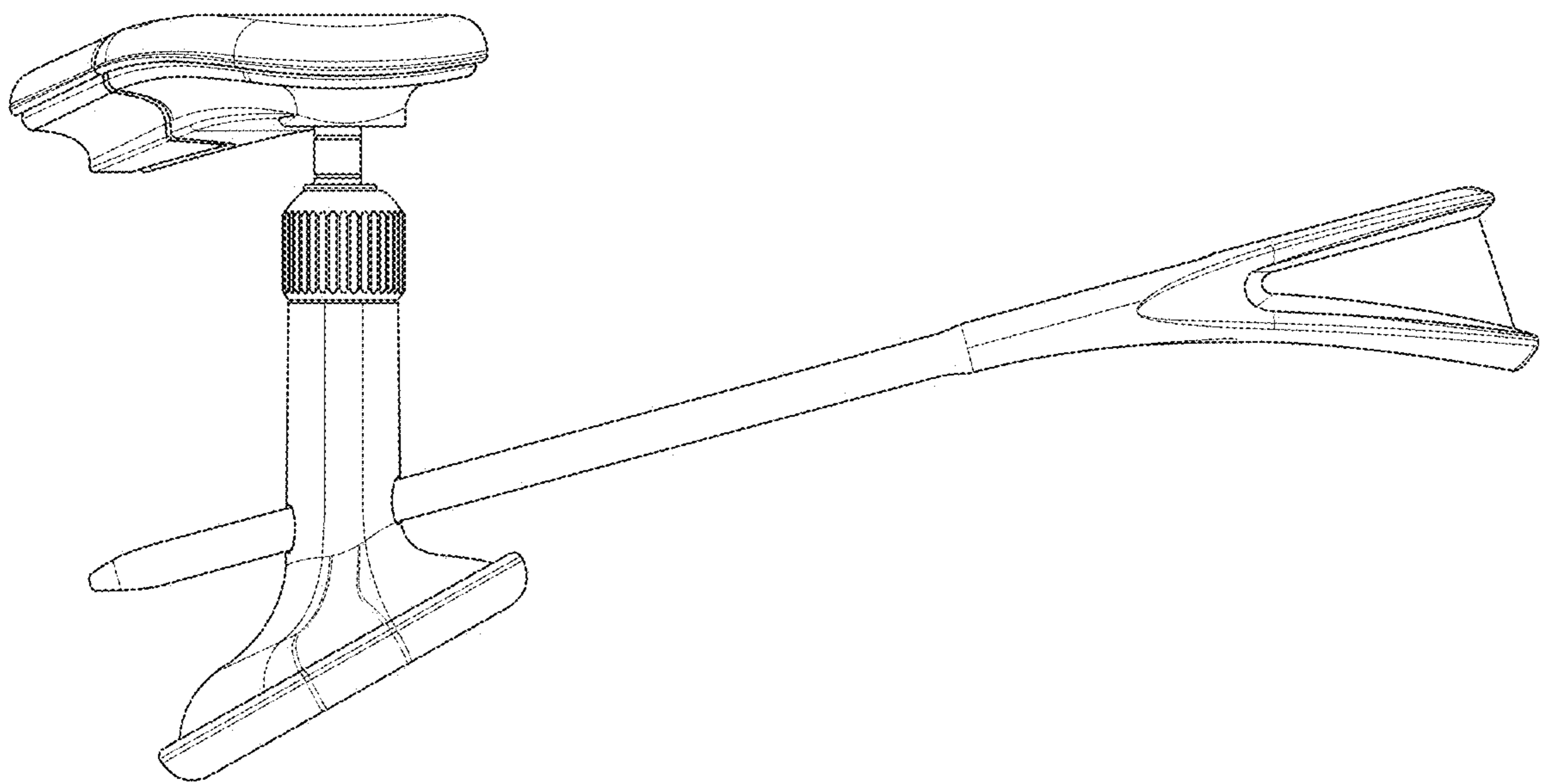


FIG. 7

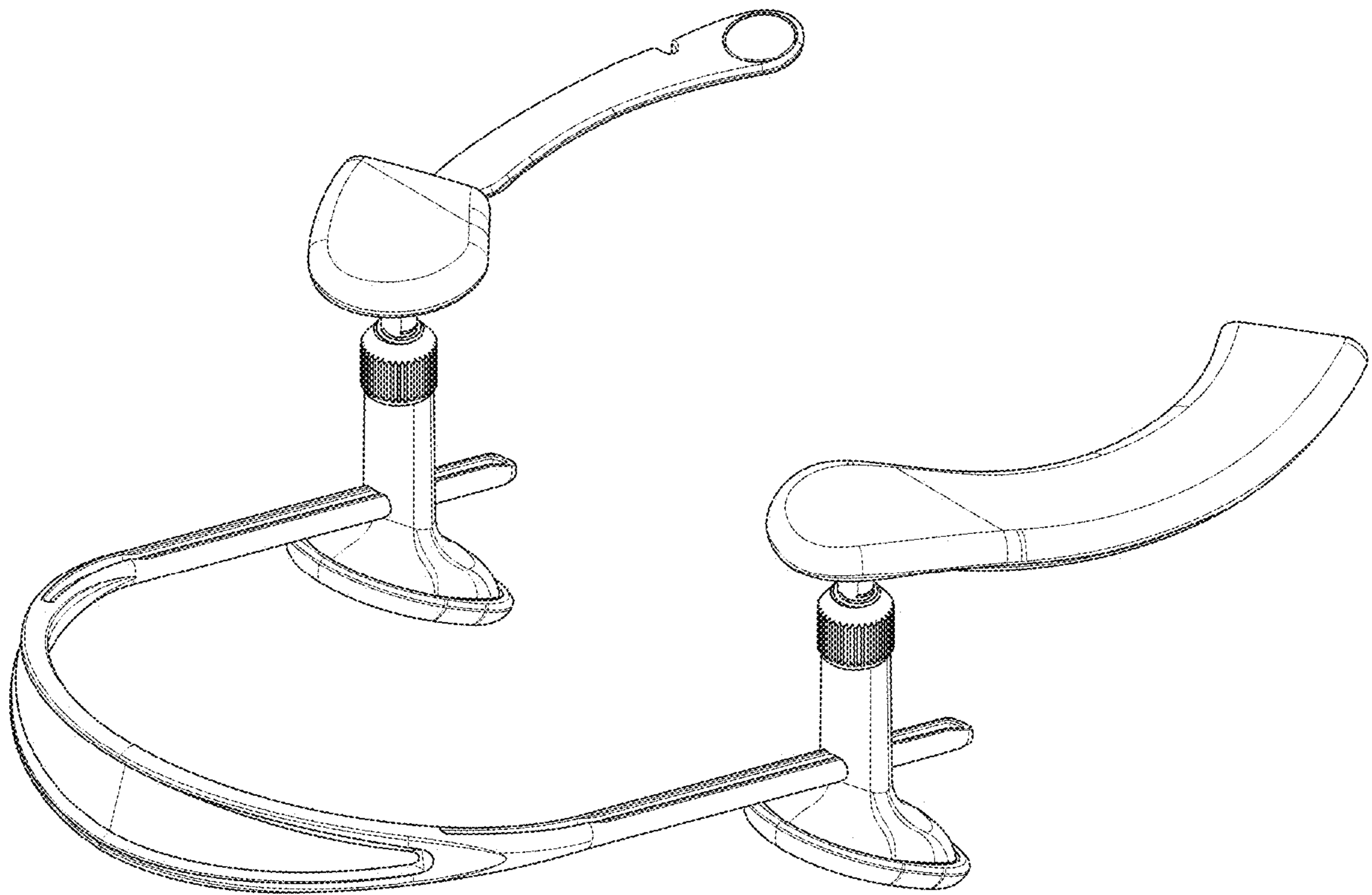


FIG. 8

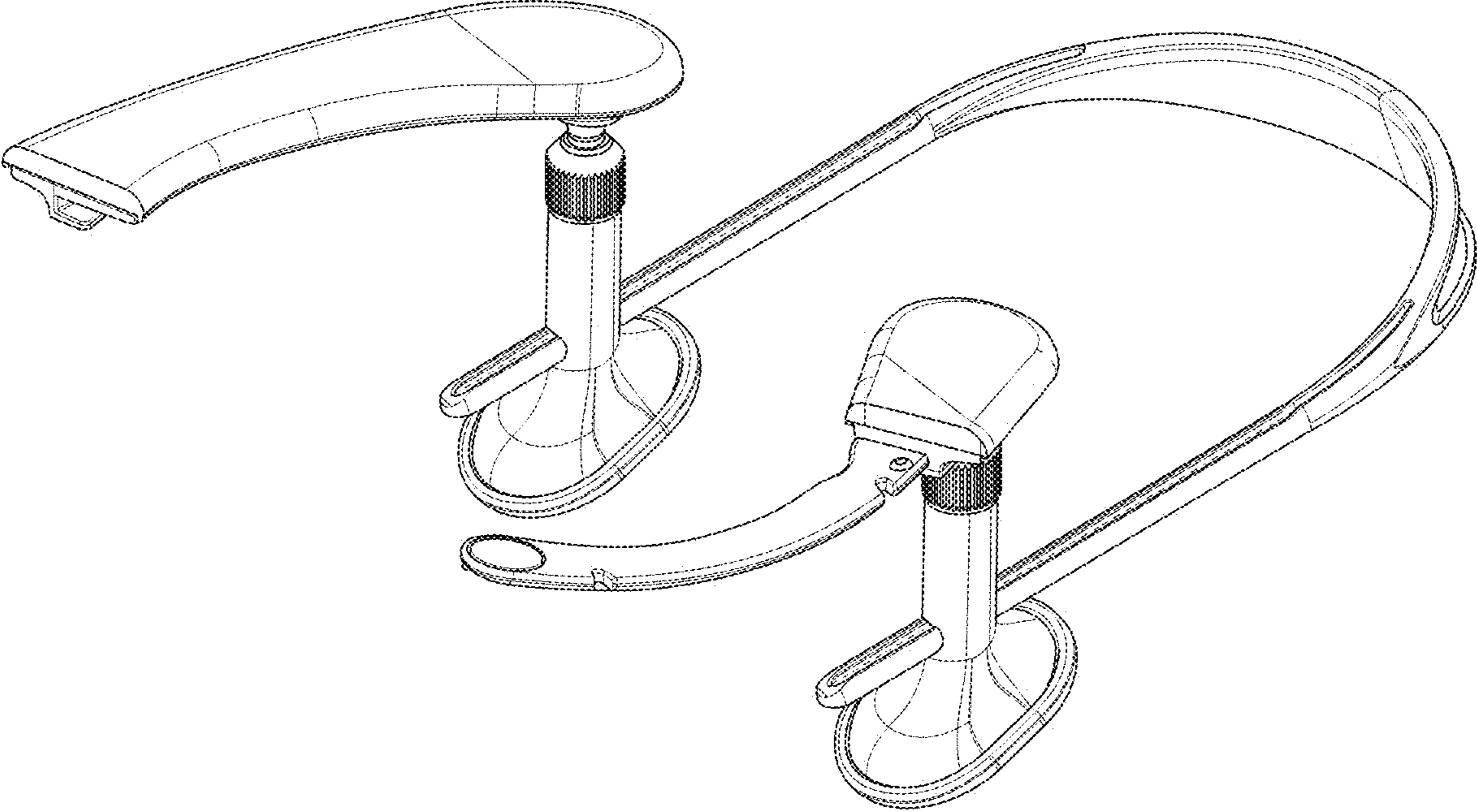


FIG. 9

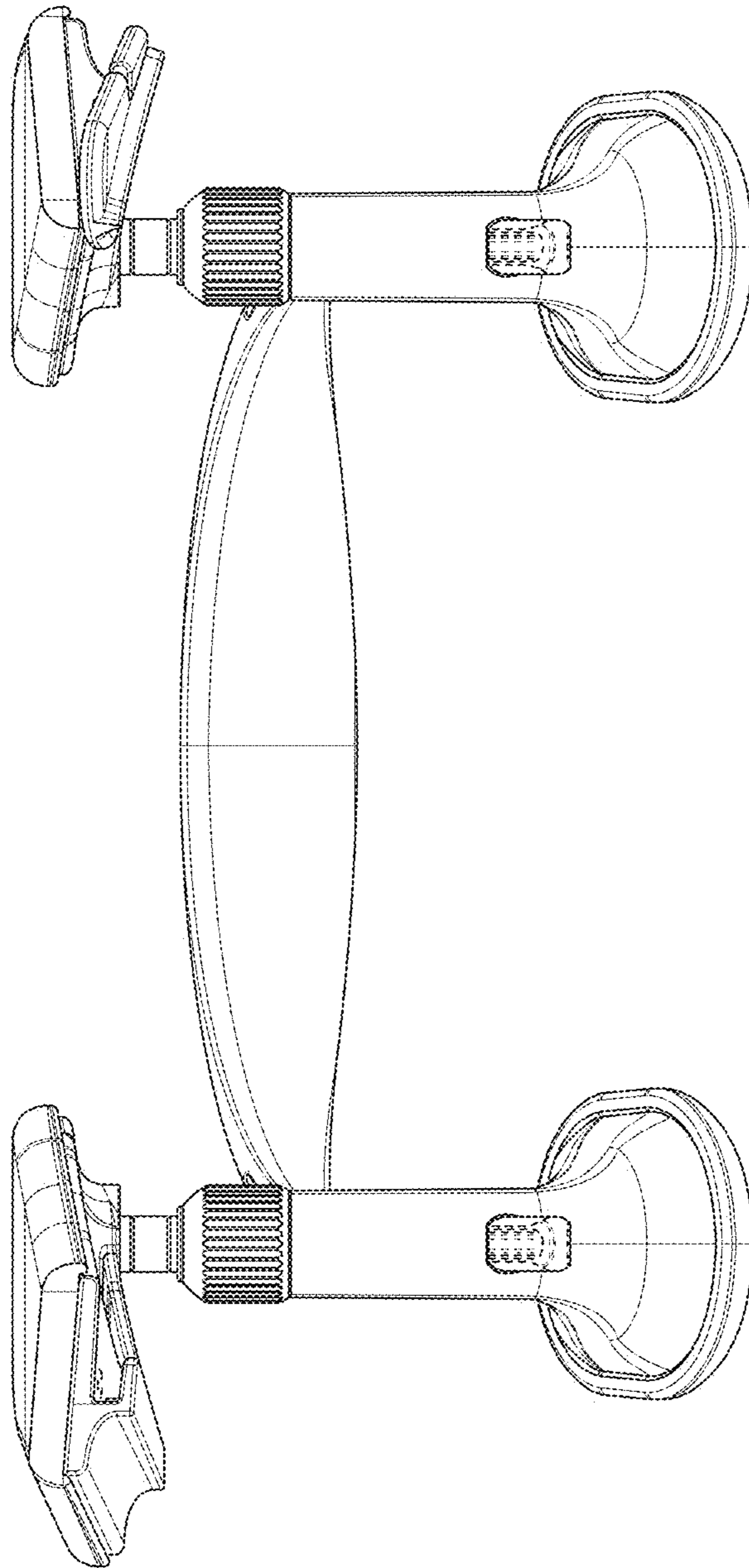


FIG. 10

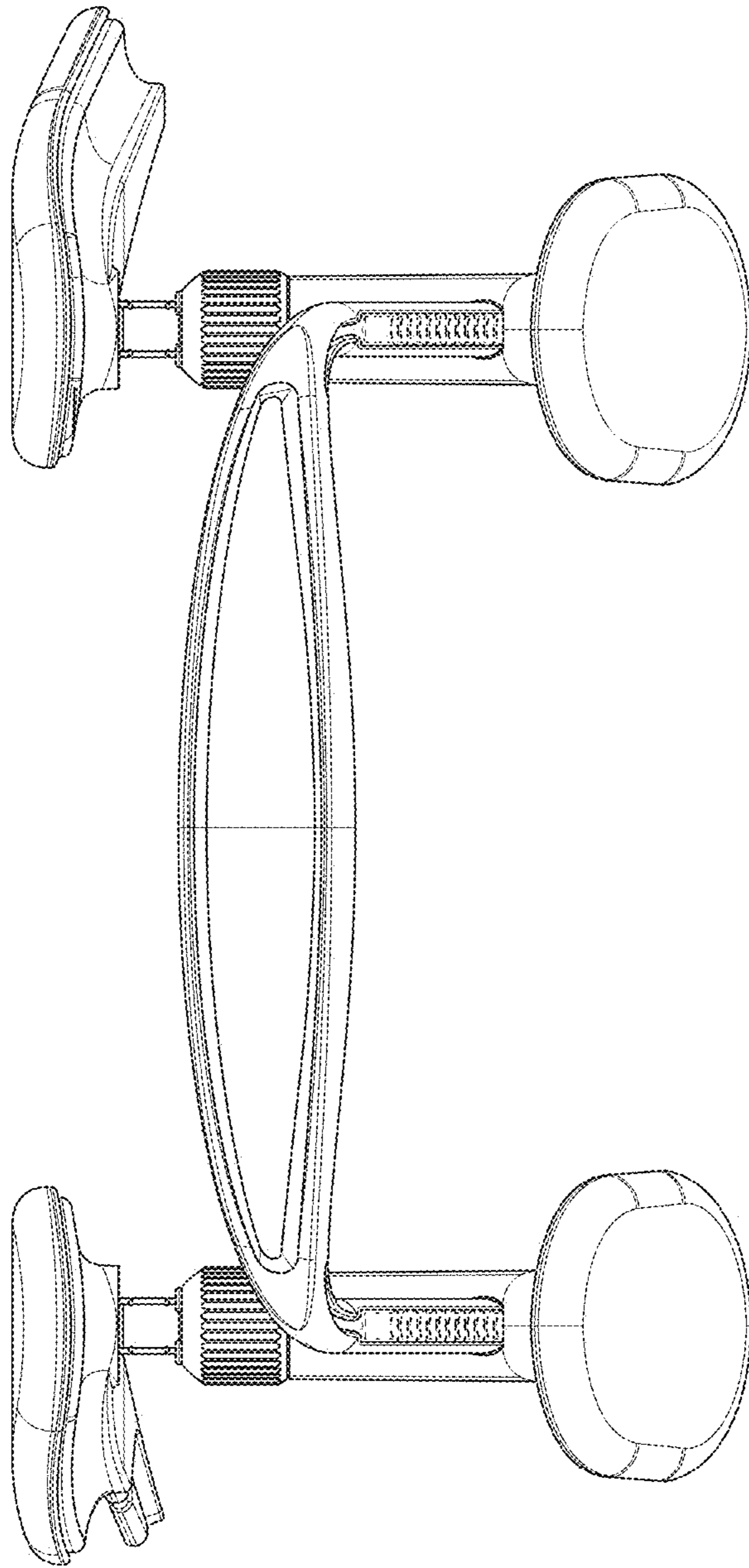


FIG. 11

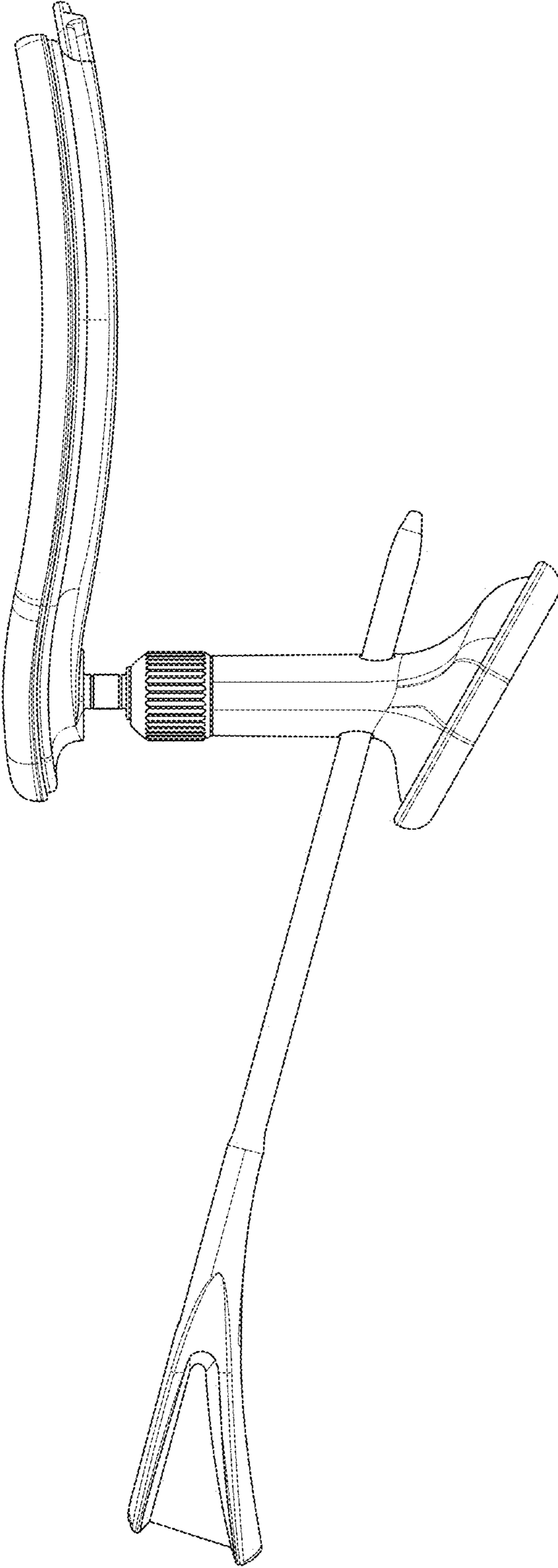


FIG. 12

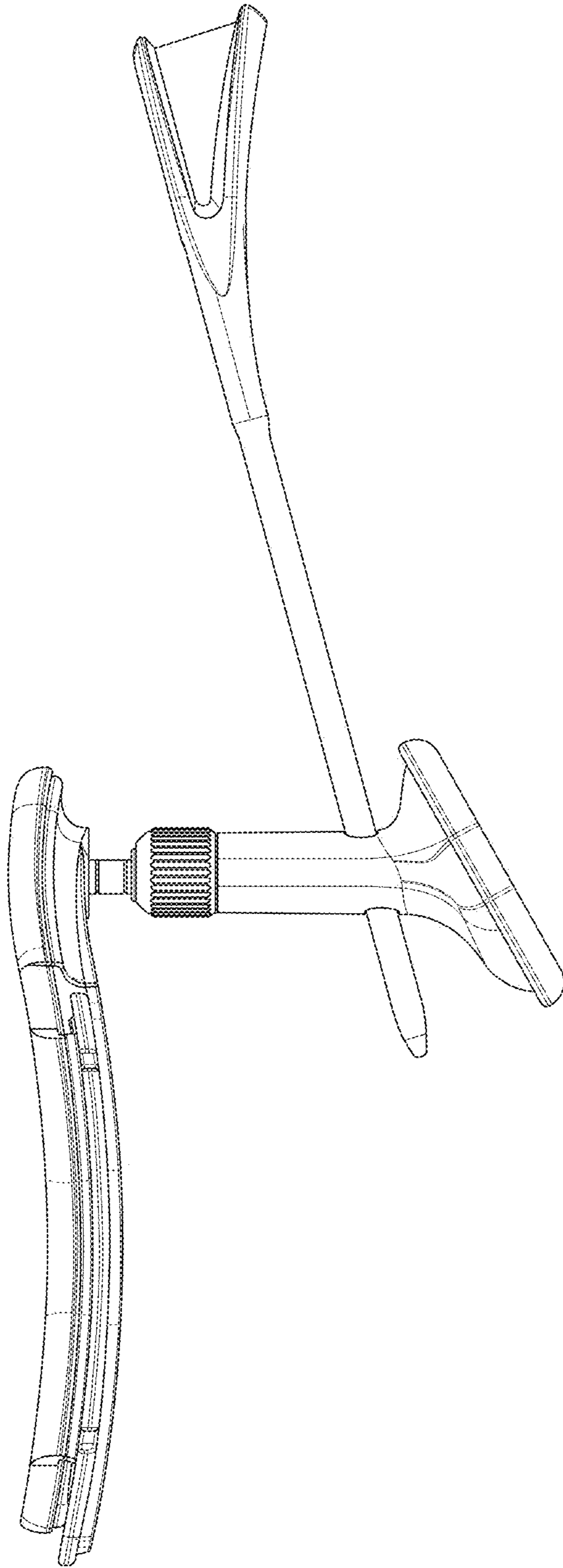


FIG. 13

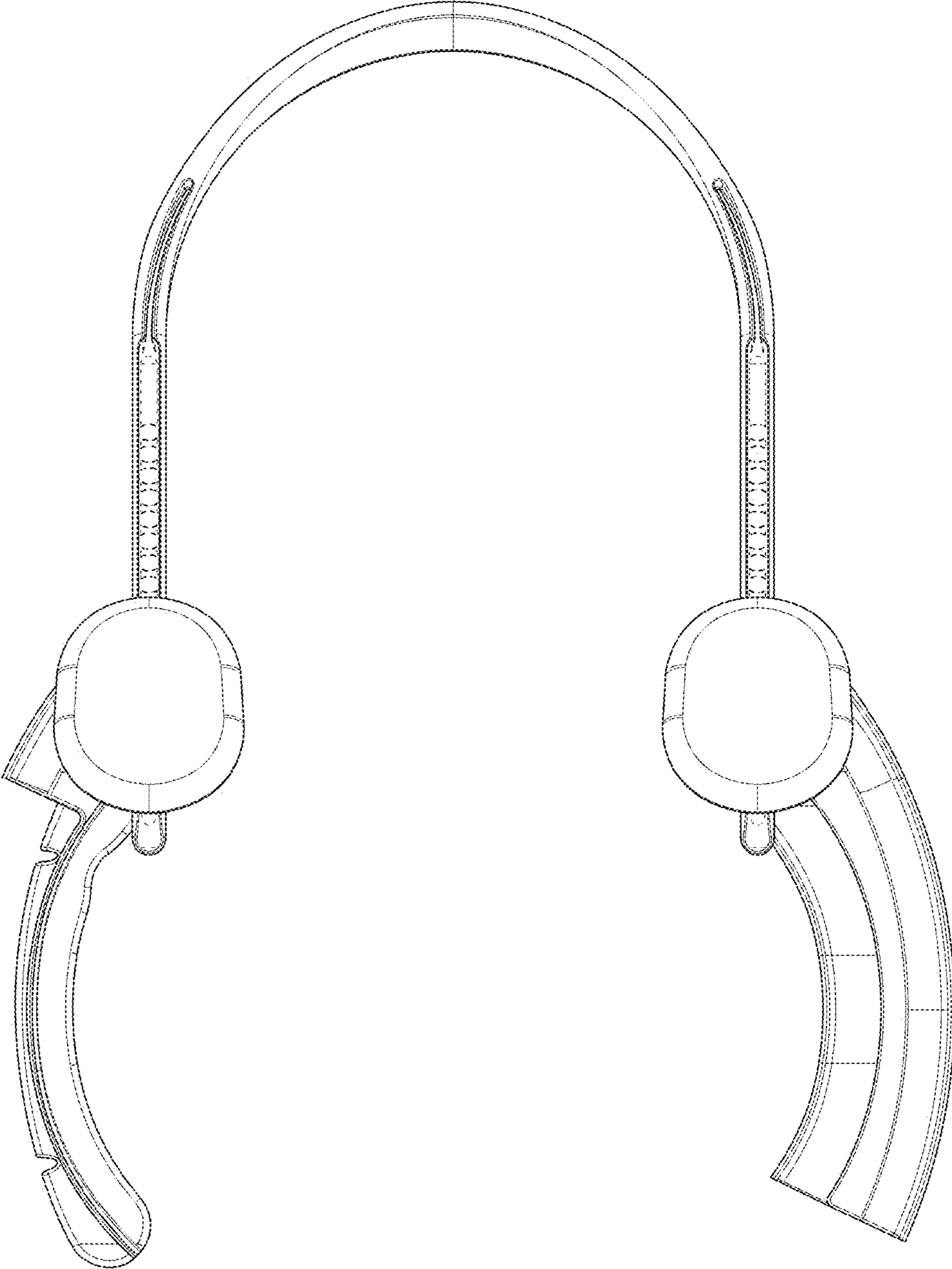


FIG. 14

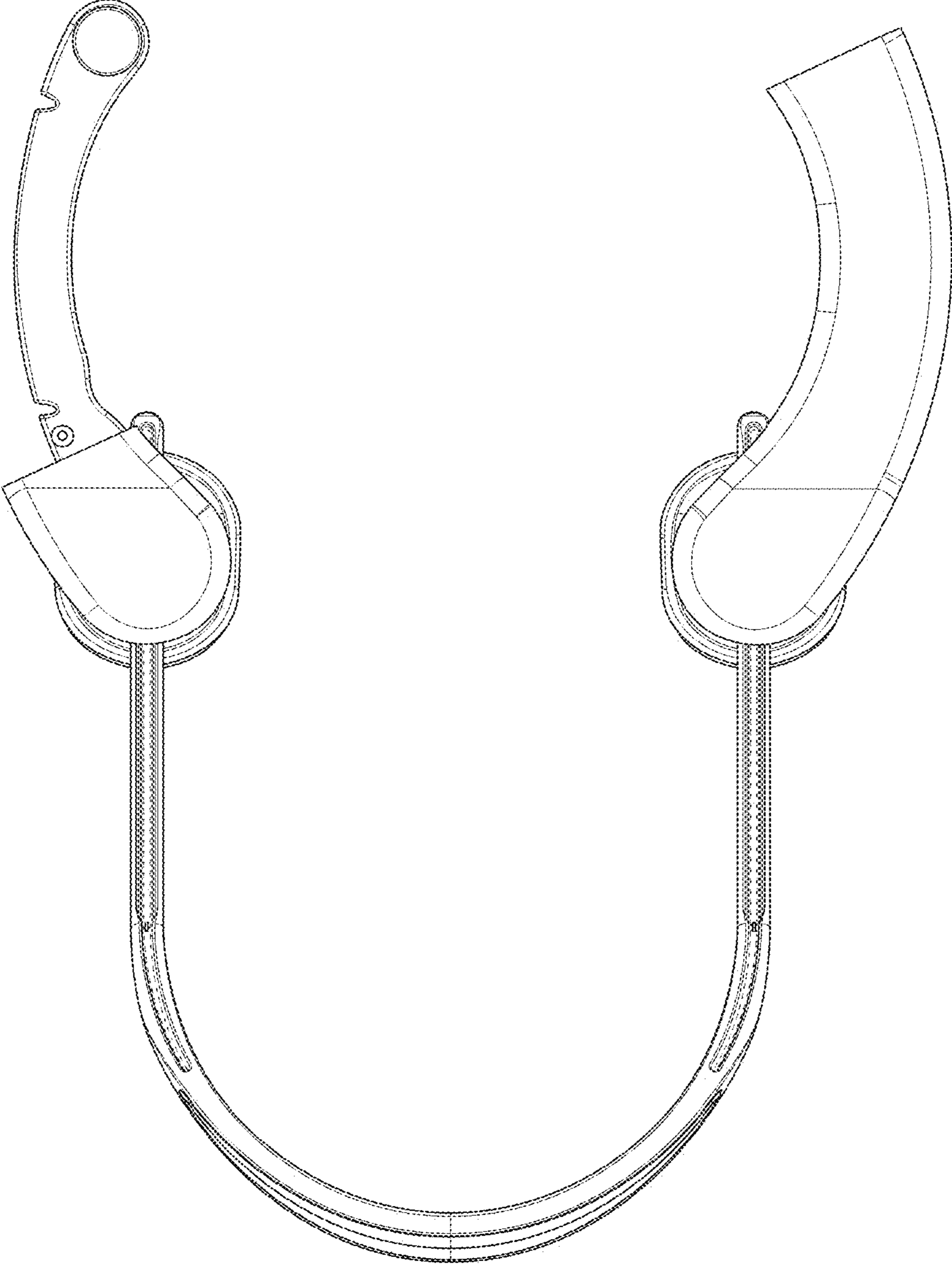


FIG. 15

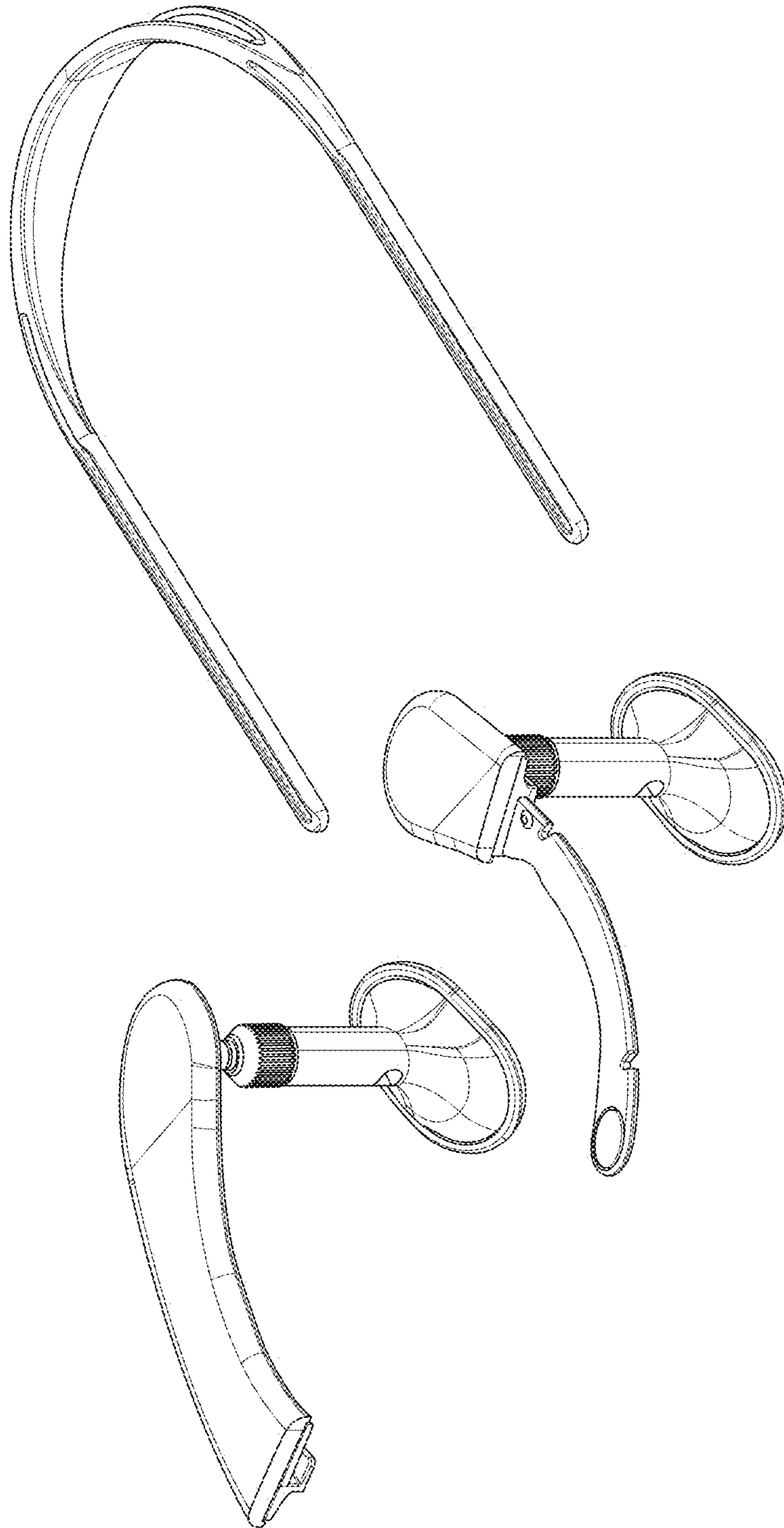


FIG. 16